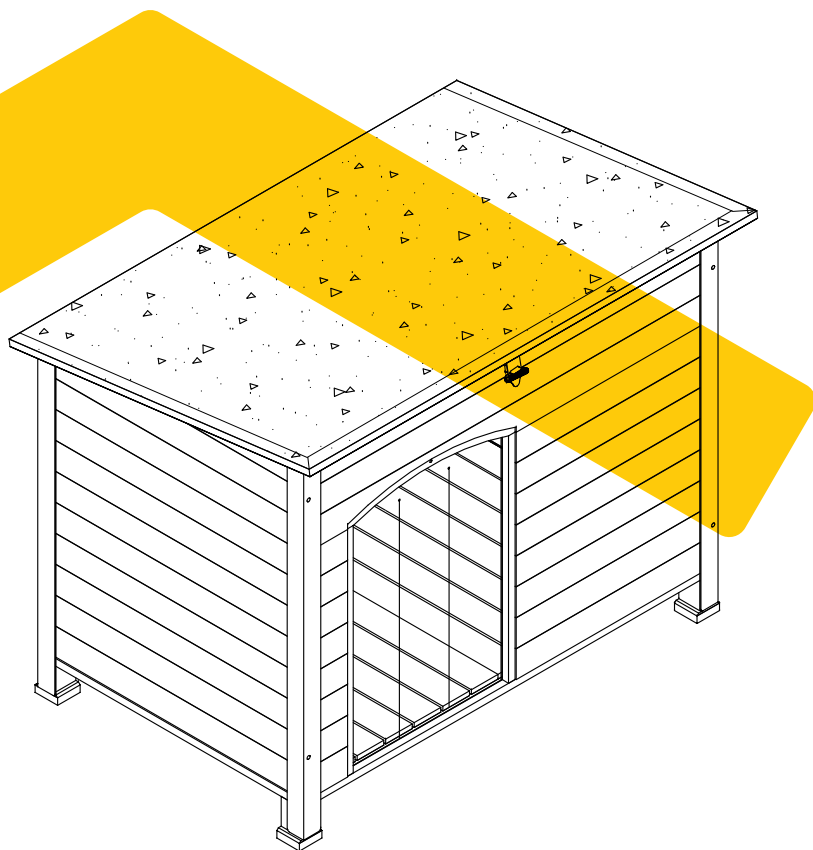


INSTRUCTION MANUAL

AIR 73

AIR 74



aivituvin

www.aivituvin.com



NOTICE

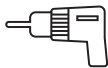
Please retain these instructions for future reference.

- Firmly secure all bolts,screws and knobs before use.
- Reconfirm that all bolts,screws,and knobs are secure every 90 days.
- Fasten screws loosely during initial assembly. Do not fully tighten screws until the item is completely assembled.
- Do not use or store this item in the proximity of open flame or flammable/combustible chemicals.
- Be aware that some parts are heavy and have sharp edges.
- Be aware that moving parts can injure,crush and cut.
- If any parts are missing,broken,damaged,or worn,stop using this product until repairs are made and/or factory replacement parts are installed.
- Do not use this item in a way inconsistent with the manufacturer's instructions as this could void the product warranty.

TOOLS REQUIRED //



PHILLIPS
SCREWDRIVER



DRILL
(RECOMMENDED)



2PERSON
ASSEMBLY



APPROXIMATELY
30MIN. ASSEMBLY

HARDWARE //

M6.0x30mm SCREW
8PCS+1spare



P1

M3.0x18mm SCREW
9CS+1spare



P2

M3.0x14mm SCREW
6CS+1spare



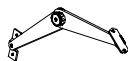
P3

M3.0x12mm SCREW
4PCS+1spare



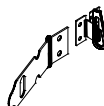
P4

Hinge
1PC



P5

Lock
1PC



P6

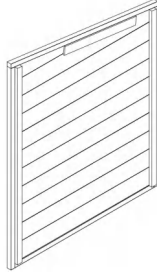
PARTS

Back panel
1PC



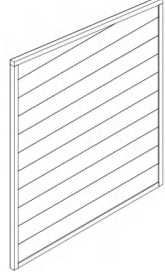
A

Right side panel
1PC



B

Left side panel
1PC



C

Back metal bar-left
1PC



D

Back metal bar-right
1PC



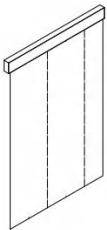
E

Bottom floor
2PCS



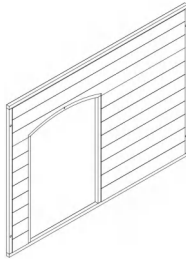
F

PVC curtain
1PC



G

Front panel
1PC



H

Front metal bar-left
1PC



I

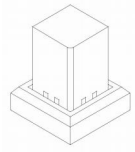
PARTS //

Front metal bar-right
1PC



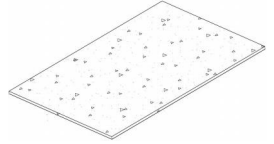
J

Plastic Feet
4PCS



K

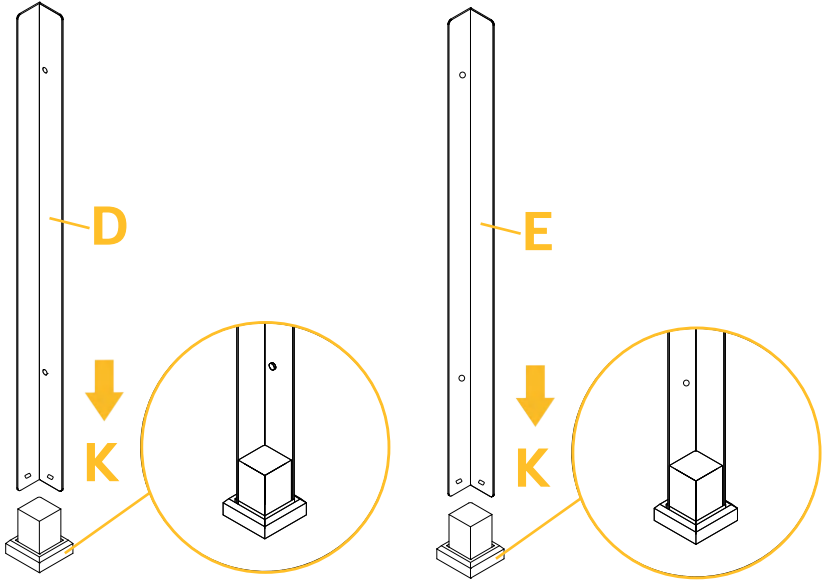
Roof
1PC



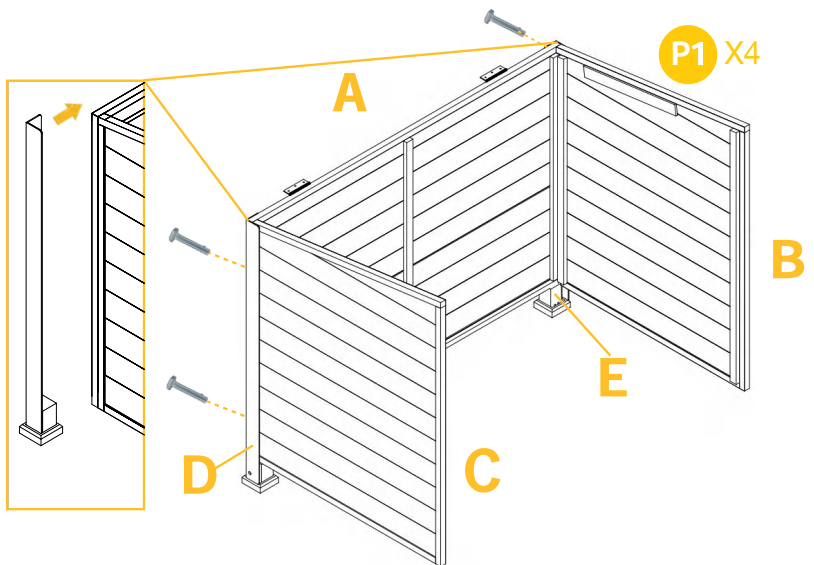
L

PRODUCT ASSEMBLY //

01 Attach the plastic feet Part K to the metal bars Part D & E with the buckle.

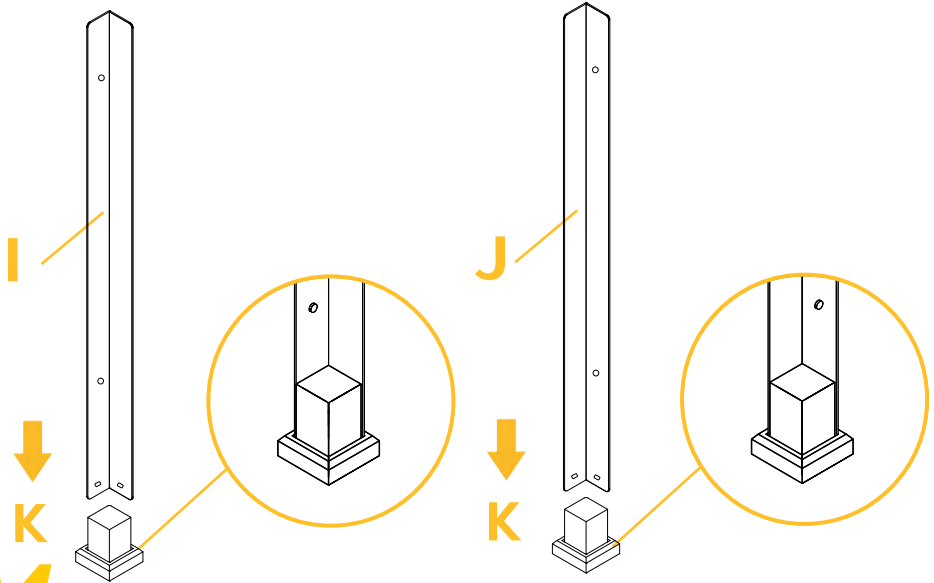


02 Attach the panel Part A, B, C, screw the metal bars Part D & E by 4XP1.

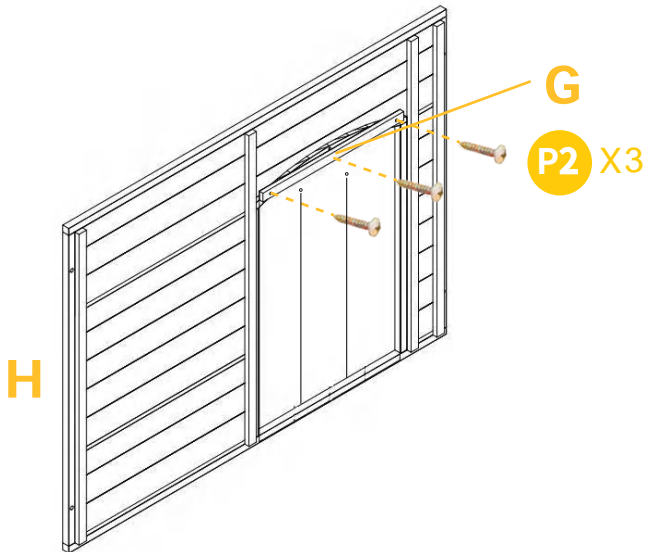


PRODUCT ASSEMBLY //

03 Attach the plastic feet Part K to the metal bars Part I & J with the buckle.

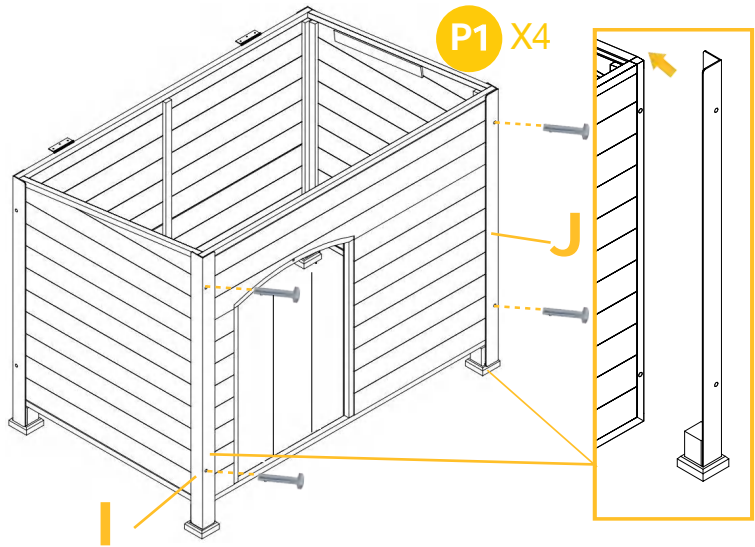


04 Screw the curtain Part G to the INSIDE of Part H by 3xP2.

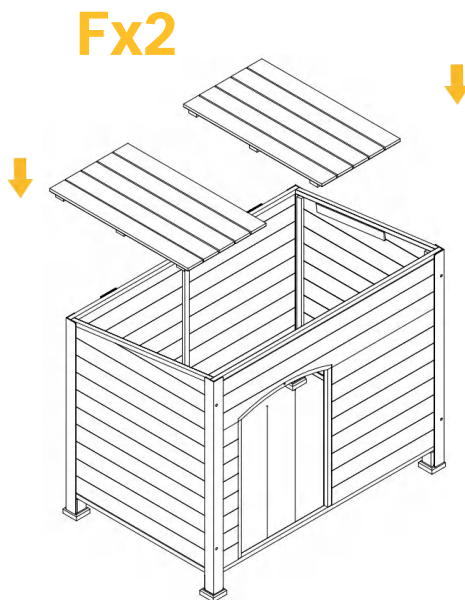


PRODUCT ASSEMBLY //

05 Attach the Part H to the house, screw the metal bars Part I & J by 4XP1.



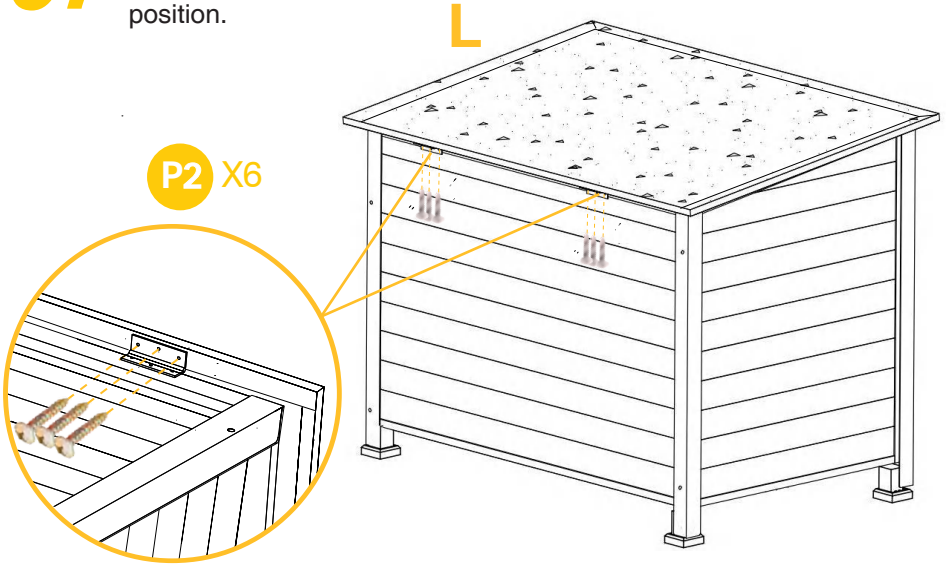
06 Put down the left bottom floor first, then put down the right bottom floor.



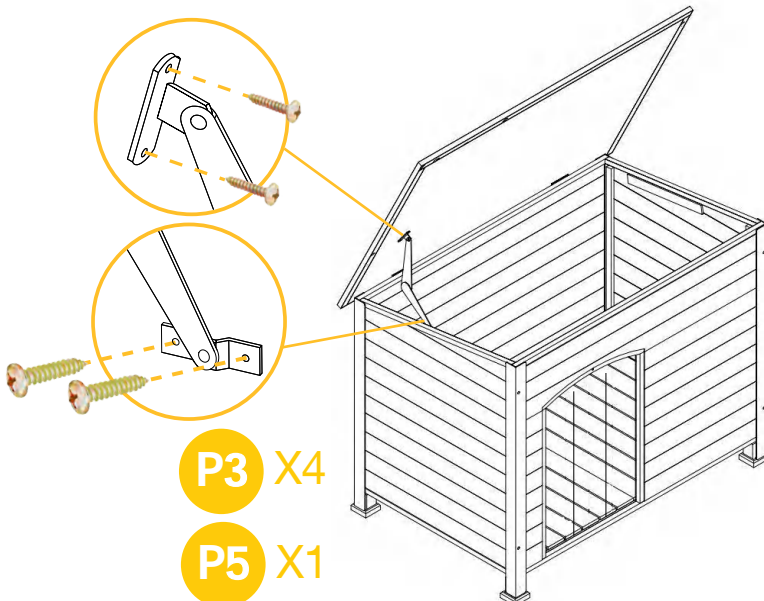
07

PRODUCT ASSEMBLY //

- 07** Screw the roof Part L on asphalt part from bottom by 6xP2.
Notice: The roof edges of back are relatively flat, pls pay attention the position.

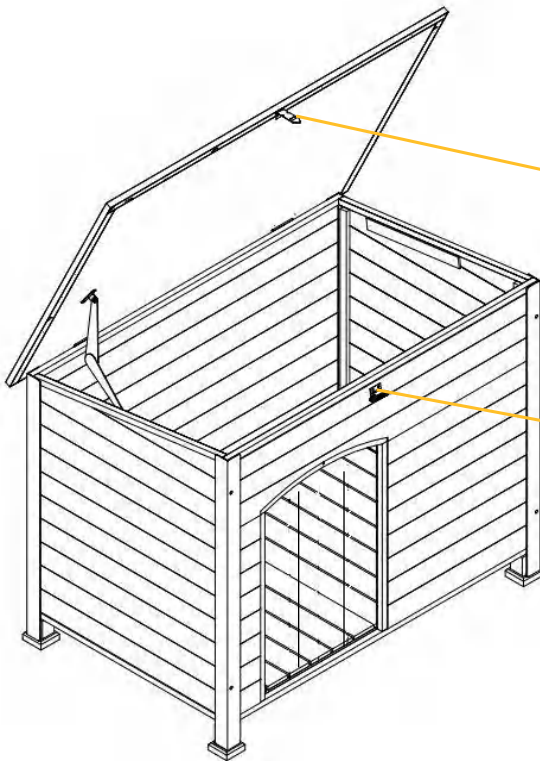


- 08** Screw the roof hinge P5, one side to the roof by 2xP3, the other side to the left side panel by 2xP3.

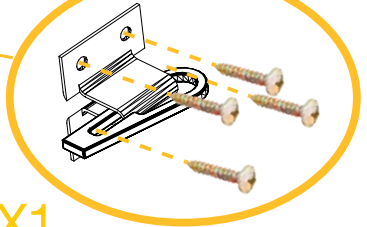
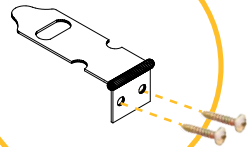


PRODUCT ASSEMBLY //

09 Screw the lock P6, screw one side to the roof by 2xP3, screw the other to the front panel by 4xP4.



P3 X2



P6 X1

P4 X4

10 Complete.





WARNING

Manufacturer and seller expressly disclaim any and all liability for personal injury, property damage or loss, whether direct, indirect, or incidental, resulting from the incorrect attachment, improper use, inadequate maintenance, or neglect of this product.