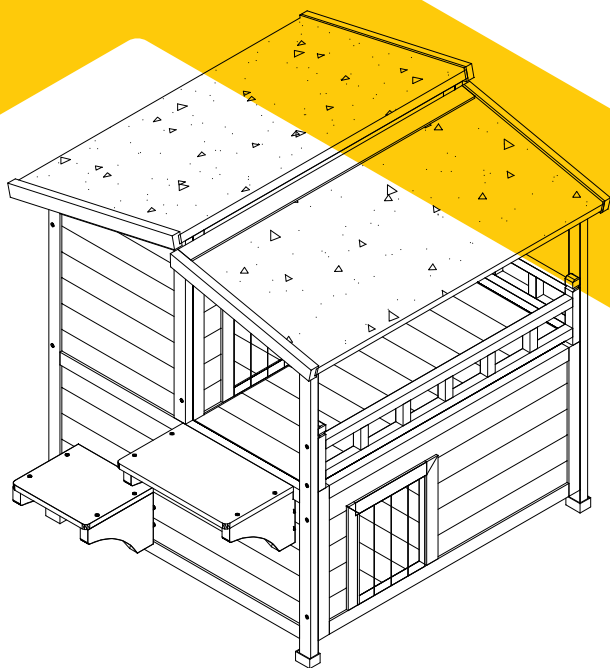


# INSTRUCTION MANUAL

AIR 33



aivituvin

[www.aivituvin.com](http://www.aivituvin.com)





## NOTICE

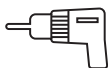
Please retain these instructions for future reference.

- Firmly secure all bolts,screws and knobs before use.
- Reconfirm that all bolts,screws,and knobs are secure every 90 days.
- Fasten screws loosely during initial assembly. Do not fully tighten screws until the item is completely assembled.
- Do not use or store this item in the proximity of open flame or flammable/combustible chemicals.
- Be aware that some parts are heavy and have sharp edges.
- Be aware that moving parts can injure,crush and cut.
- If any parts are missing,broken,damaged,or worn,stop using this product until repairs are made and/or factory replacement parts are installed.
- Do not use this item in a way inconsistent with the manufacturer's instructions as this could void the product warranty.

## TOOLS REQUIRED //



PHILLIPS  
SCREWDRIVER



DRILL  
(RECOMMENDED)



2PERSON  
ASSEMBLY



APPROXIMATELY  
45MIN. ASSEMBLY

## HARDWARE //

M3.5x40mm SCREW  
14PCS+1spare



P1

M3.5x35mm SCREW  
16PCS+1spare



P2

M3.0x25mm SCREW  
12PCS+1spare



P3

M3.0x16mm SCREW  
10PCS+1spare



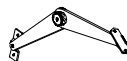
P4

Plastic Feet  
4PCS



P5

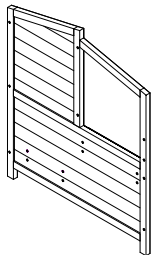
Hinge  
1PC



P6

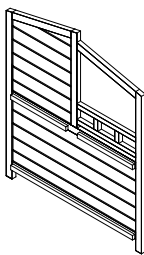
# PARTS //

Left panel  
1PC



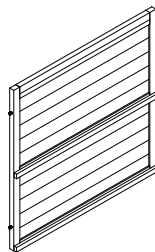
**A**

Right panel  
1PC



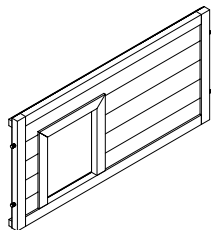
**B**

Back panel  
1PC



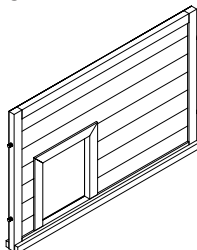
**C**

Down hutch front panel  
1PC



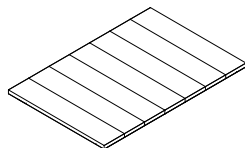
**D**

Upper hutch front panel  
1PC



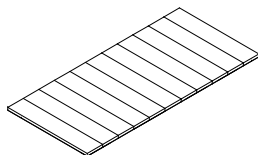
**E**

Upper hutch floor  
1PC



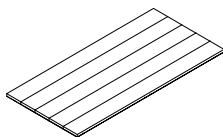
**F**

Balcony floor  
1PC



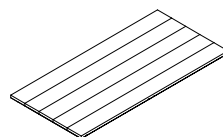
**G**

Bottom left floor  
1PC



**H**

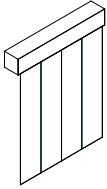
Bottom right floor  
1PC



**I**

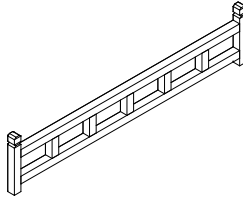
# PARTS

PVC curtain  
2PCS



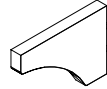
J

Fence  
1PC



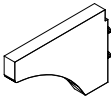
K

Down supporter  
2PCS



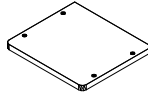
L

Upper supporter  
2PCS



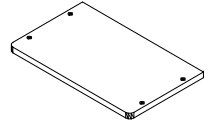
M

Down stair  
1PC



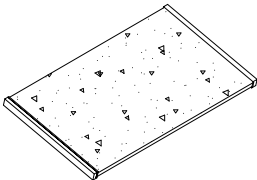
N

Upper stair  
1PC



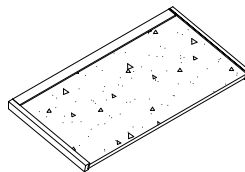
O

Back roof  
1PC



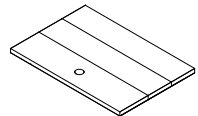
P

Front roof  
1PC



Q

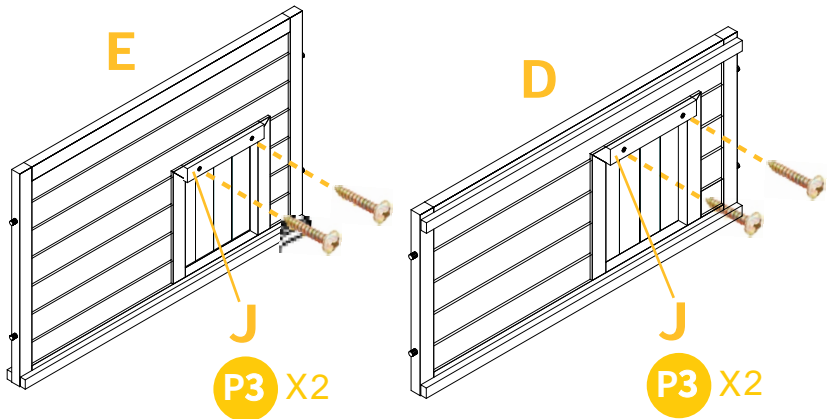
Divider  
1PC



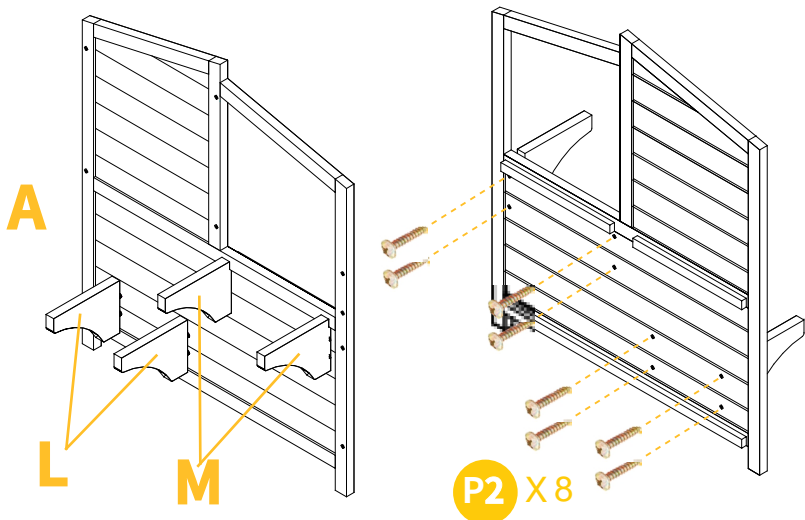
R

## PRODUCT ASSEMBLY //

**01** Screw the curtain Part J to the inside of the front panels Part D & E by 2xP3 each.

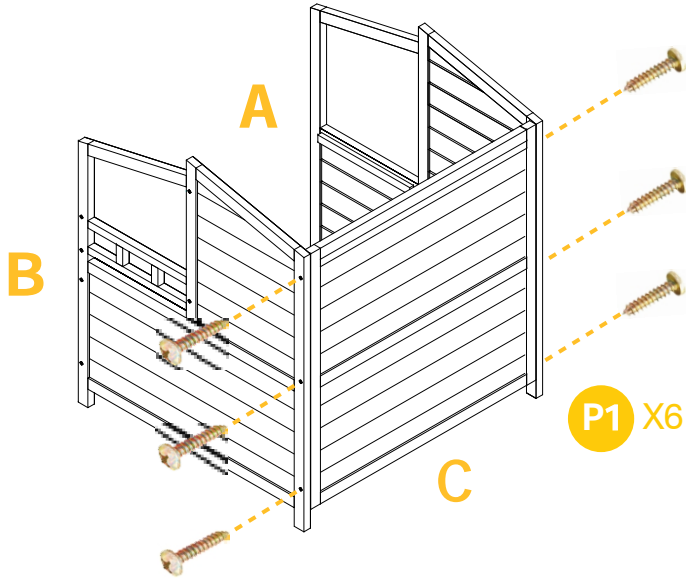


**02** Attach the supporter Part L & M to the outside of the left panel Part A by 8xP2.

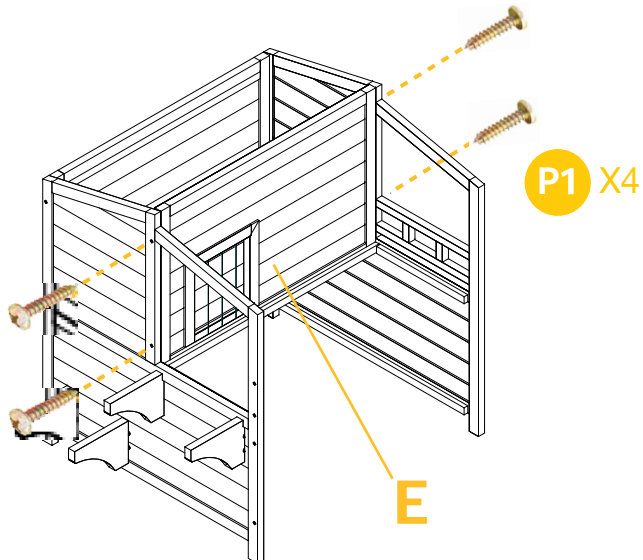


## PRODUCT ASSEMBLY //

**03** Attach the back panel Part C to the side panel Part A & B by 6xP1.



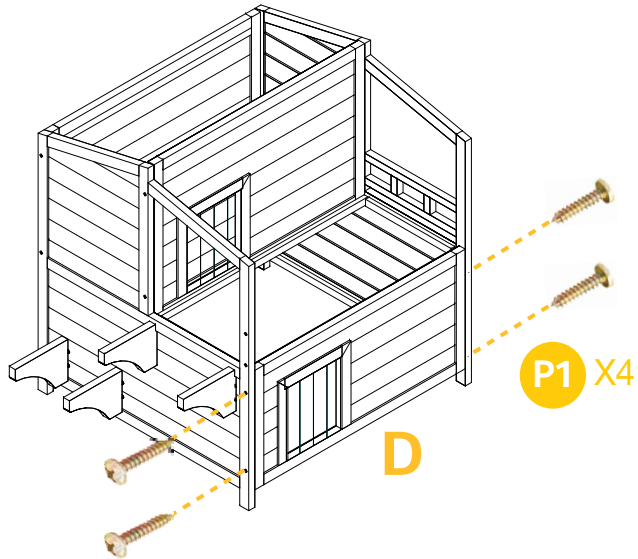
**04** Attach the front upper panel Part E to the side by 4xP1.



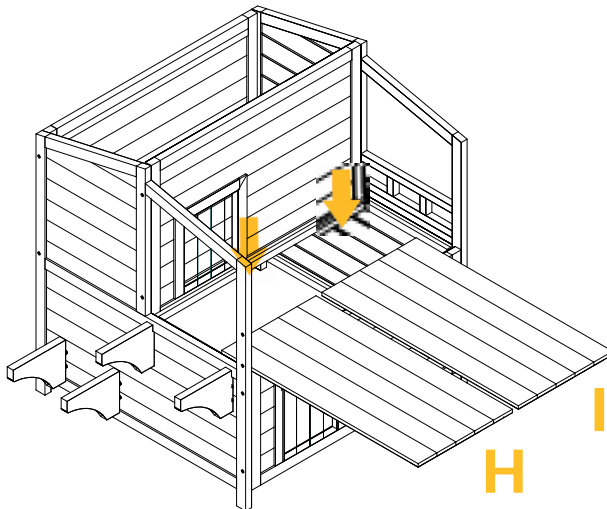


## PRODUCT ASSEMBLY //

**05** Attach the front down panel Part D to the side by 4xP1.

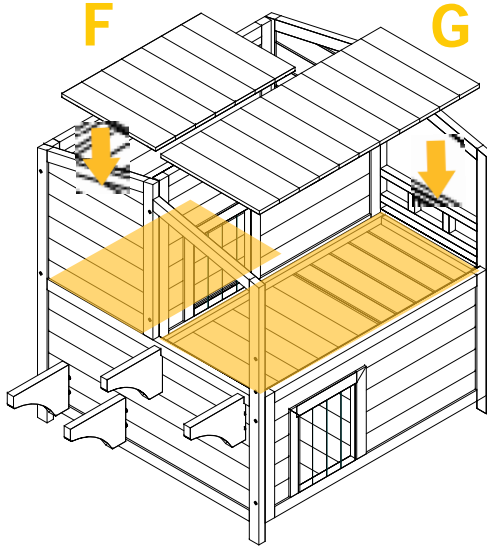


**06** Put in the floor Part H & I to the bottom.

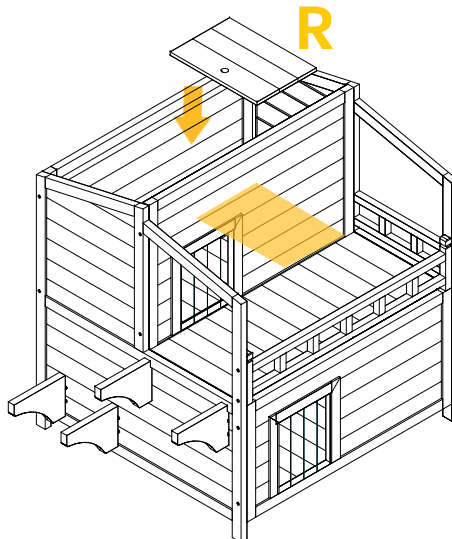


## PRODUCT ASSEMBLY //

**07** Put in the floor Part F & G to the upper layer.

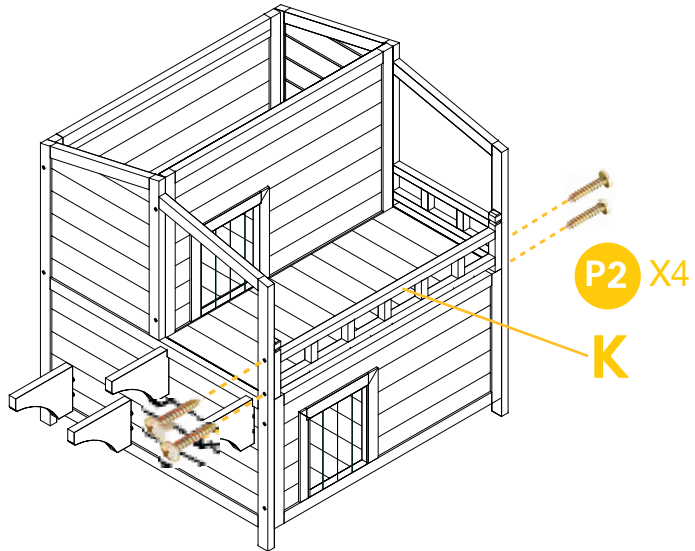


**08** Put in the divider Part R to close the up and down space. If you want a open space, the Part R is useless.

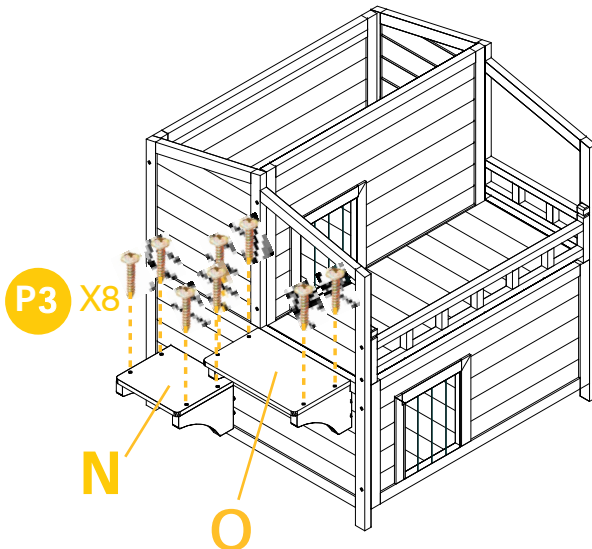


## PRODUCT ASSEMBLY //

**09** Attach fence Part K by 4xP2.

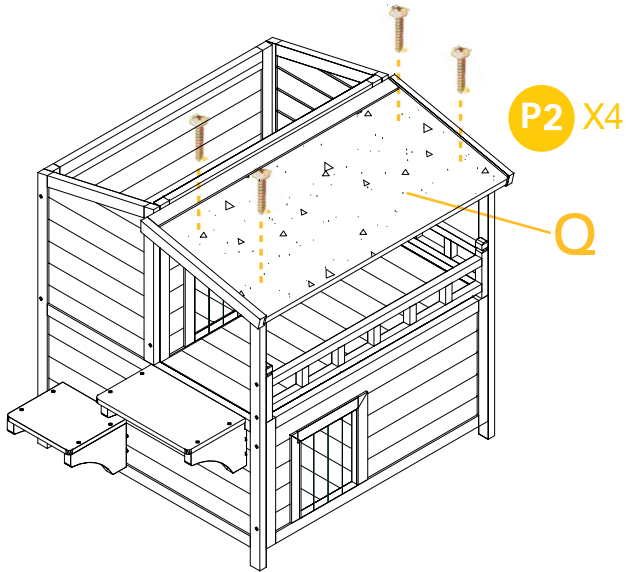


**10** Screw down the stair Part N & O by 8xP3.

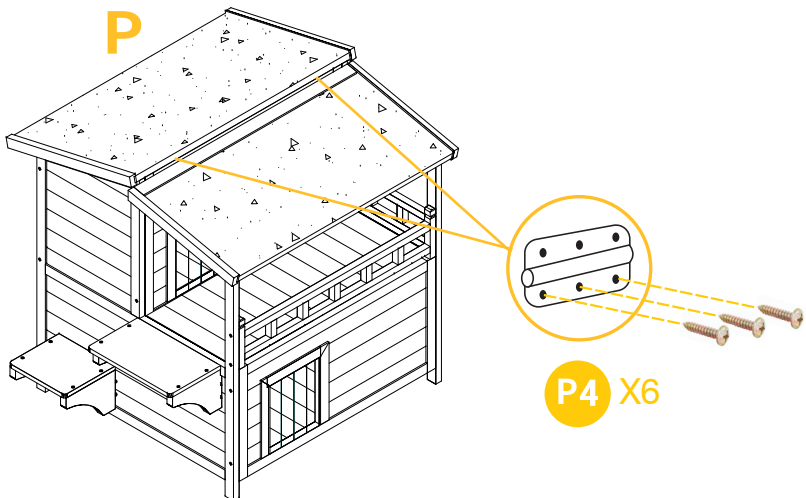


# PRODUCT ASSEMBLY //

**11** Attach the roof panel Part Q by 4xP2.

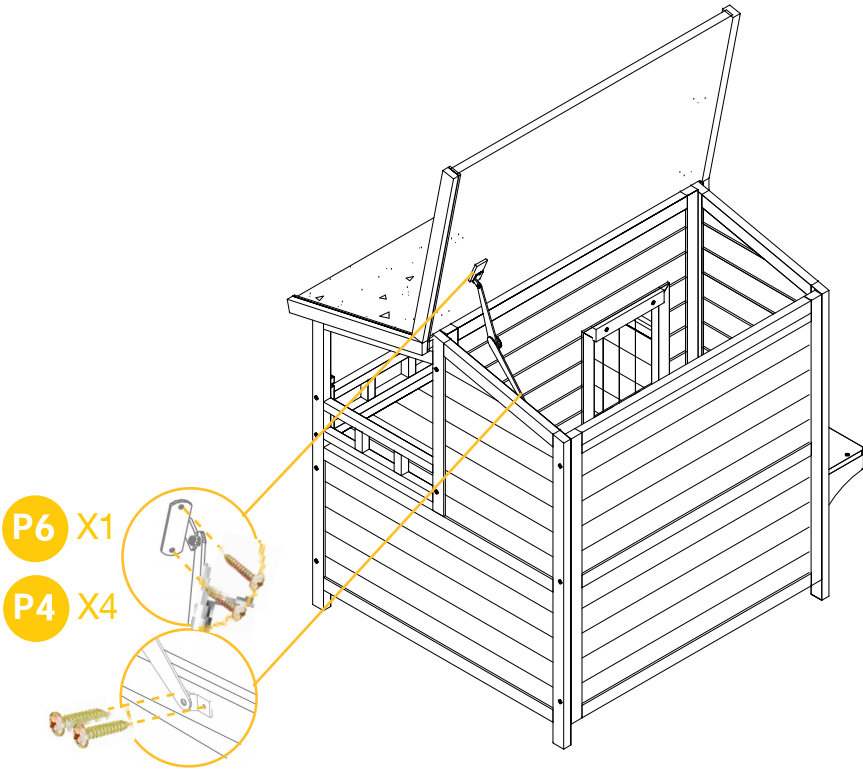


**12** Attach the roof panel Part P by 6xP4.



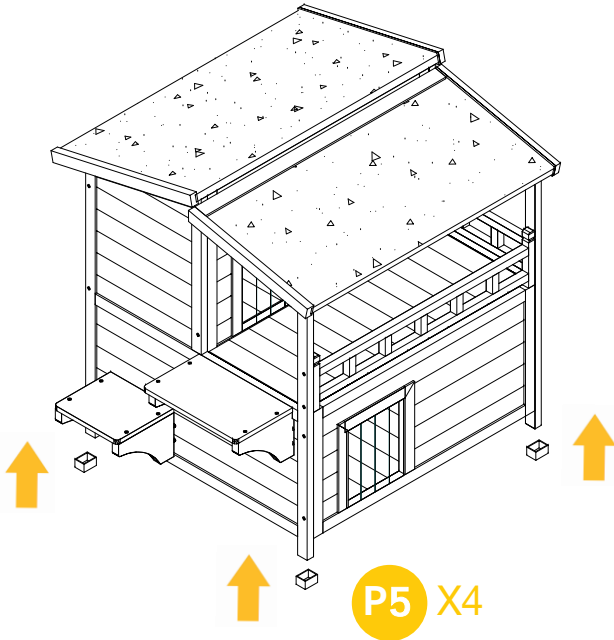
## PRODUCT ASSEMBLY //

**13** Attach the roof hinge P6 by 4xP4.



## PRODUCT ASSEMBLY //

**14** Attach the plastic feet to the leg.







**WARNING**

Manufacturer and seller expressly disclaim any and all liability for personal injury, property damage or loss, whether direct, indirect, or incidental, resulting from the incorrect attachment, improper use, inadequate maintenance, or neglect of this product.