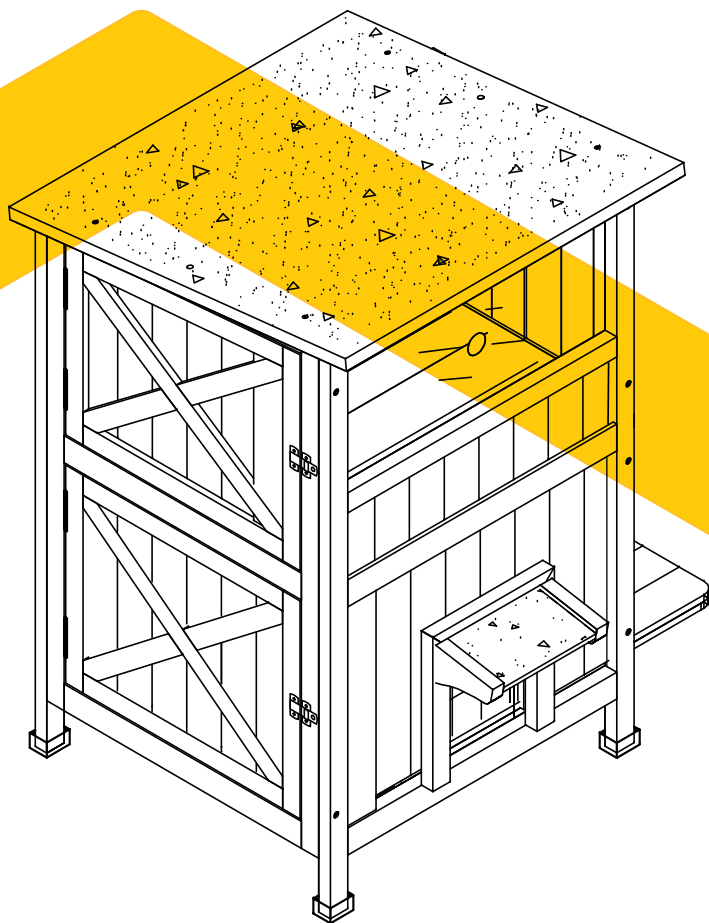


INSTRUCTION MANUAL

AIR14





NOTICE

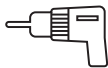
Please retain these instructions for future reference.

- Firmly secure all bolts,screws and knobs before use.
- Reconfirm that all bolts,screws,and knobs are secure every 90 days.
- Fasten screws loosely during initial assembly. Do not fully tighten screws until the item is completely assembled.
- Do not use or store this item in the proximity of open flame or flammable/combustible chemicals.
- Be aware that some parts are heavy and have sharp edges.
- Be aware that moving parts can injure,crush and cut.
- If any parts are missing,broken,damaged,or worn,stop using this product until repairs are made and/or factory replacement parts are installed.
- Do not use this item in a way inconsistent with the manufacturer' s instructions as this could void the product warranty.

TOOLS REQUIRED //



PHILLIPS
SCREWDRIVER



DRILL
(RECOMMENDED)



2PERSON
ASSEMBLY



APPROXIMATELY
30MIN. ASSEMBLY

HARDWARE //

M4.0x40mm SCREW
4PCS+1 spare



P1

M3.5x45mm SCREW
12PCS+1 spare



P2

M3.5x35mm SCREW
4PCS +1spare



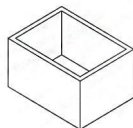
P3

M3.5x25mm SCREW
4PCS +1spare



P4

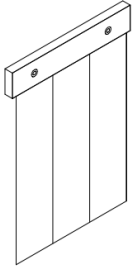
Plastic Feets
4PCS



P5

PARTS

PVC curtain
2PCS



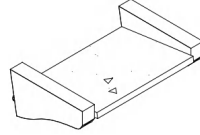
A

Front panel
1 PC



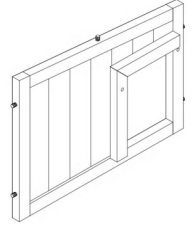
B

Roof Overhang
2PCS



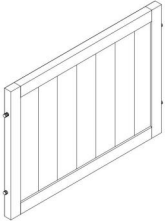
C

Upper panel- Right side
1PC



D

Down panel- Right side
1PC



E

Back panel
1 PC



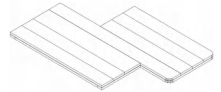
F

Left panel
1PC



G

Layer panel- Upper
1PC



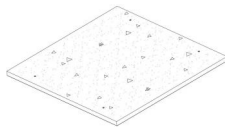
H

Layer panel- Down
1PC



I

Roof
1PC

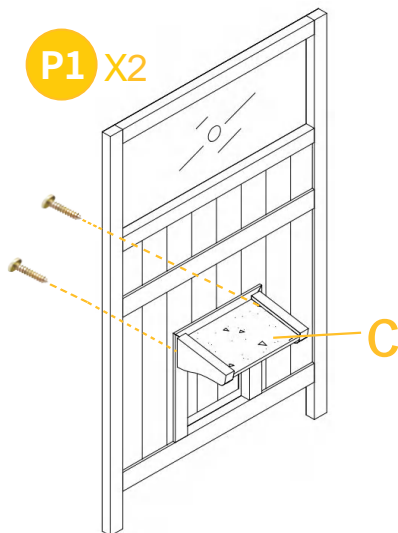
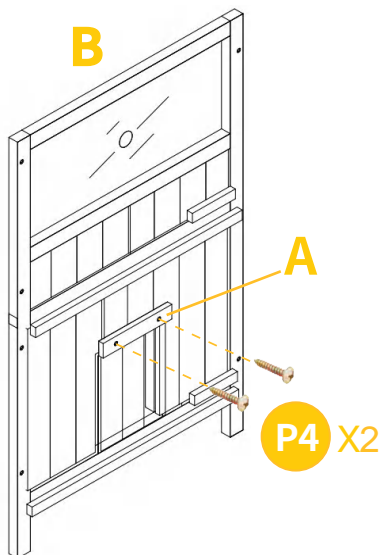


J

PRODUCT ASSEMBLY //

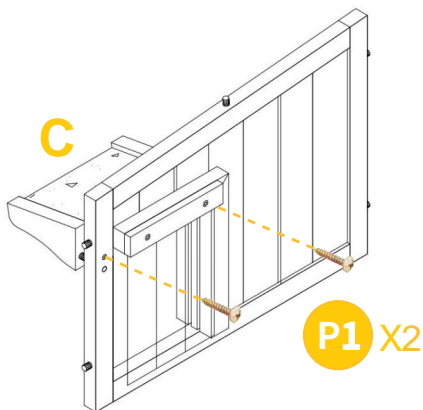
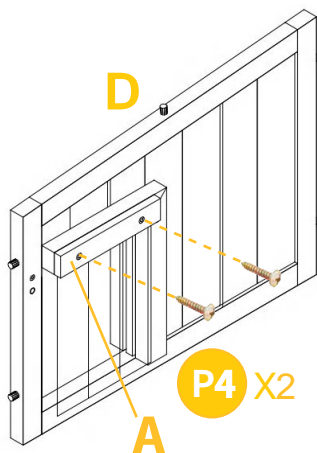
01

Screw the curtain Part A to the INSIDE of Part B by 2xP4.
Screw Part C to the INSIDE of Part B by 2xP1.



02

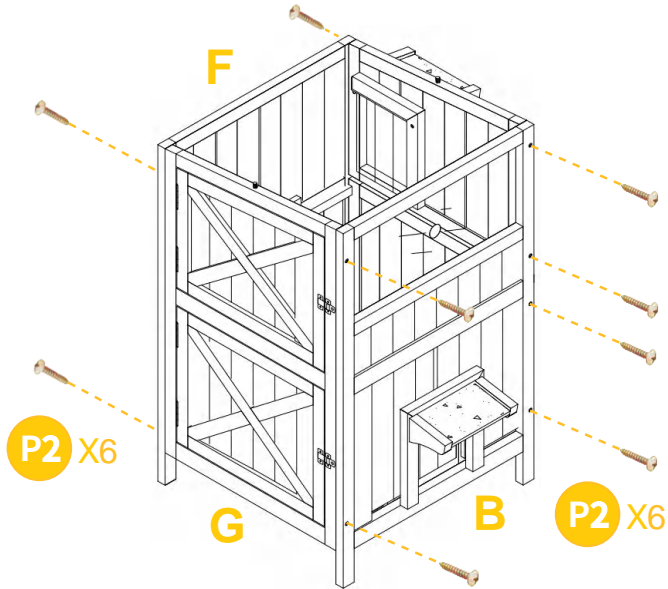
Screw the curtain Part A to the INSIDE of Part D by 2xP4.
Screw Part C to the INSIDE of Part D by 2xP1.



PRODUCT ASSEMBLY

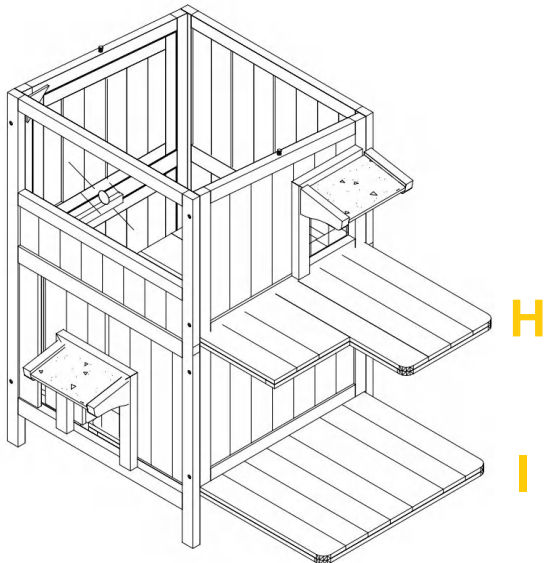
03

Screw Part B, F, G and the right panel by 6xP2 on each side.



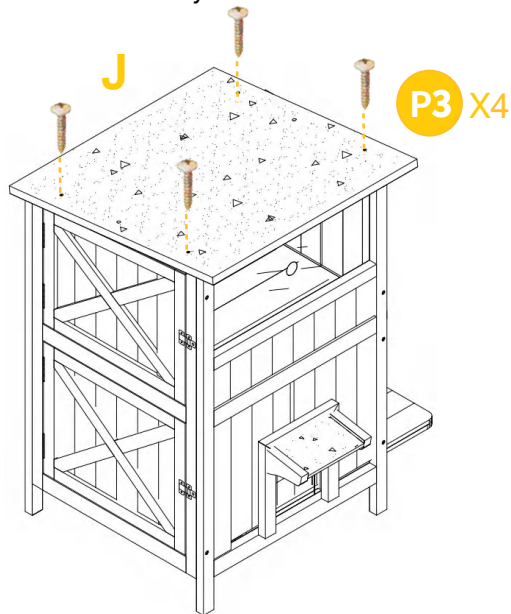
04

Slide in the two layer panels.

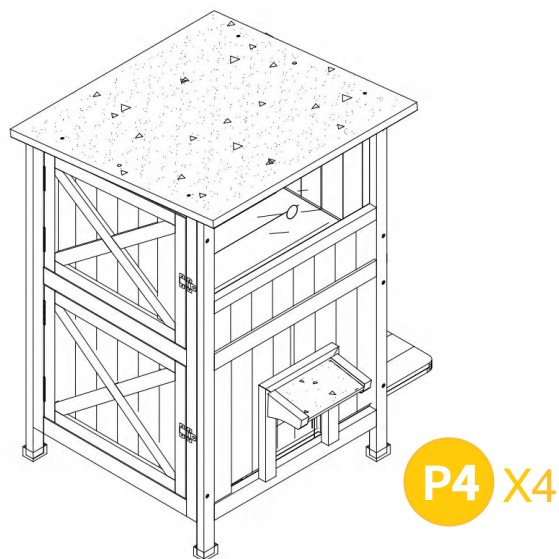


PRODUCT ASSEMBLY //

05 Attach the roof Part J by 3xP4.



06 Attach 4pcs of P4 to the feet of the cat house.





WARNING

Manufacturer and seller expressly disclaim any and all liability for personal injury, property damage or loss, whether direct, indirect, or incidental, resulting from the incorrect attachment, improper use, inadequate maintenance, or neglect of this product.