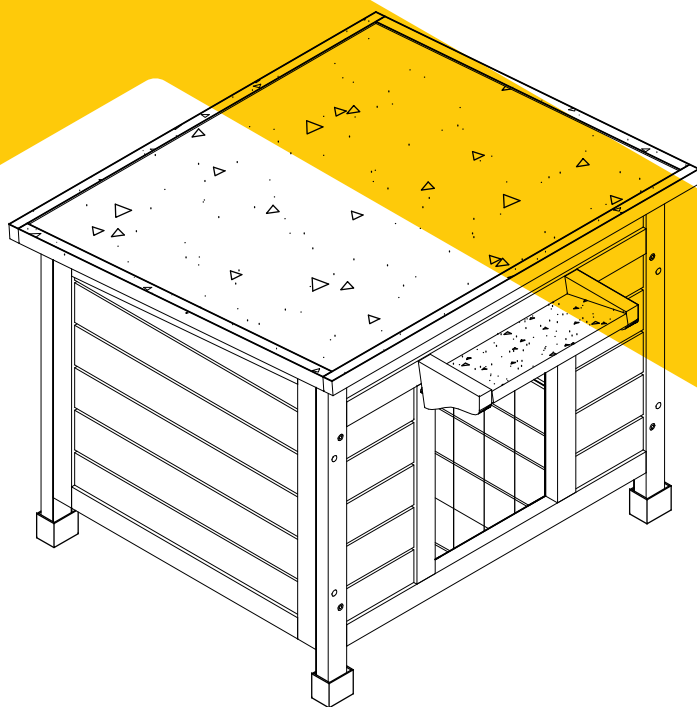


# INSTRUCTION MANUAL

AIR 12



aivituvin

[www.aivituvin.com](http://www.aivituvin.com)





## NOTICE

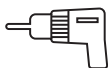
Please retain these instructions for future reference.

- Firmly secure all bolts,screws and knobs before use.
- Reconfirm that all bolts,screws,and knobs are secure every 90 days.
- Fasten screws loosely during initial assembly. Do not fully tighten screws until the item is completely assembled.
- Do not use or store this item in the proximity of open flame or flammable/combustible chemicals.
- Be aware that some parts are heavy and have sharp edges.
- Be aware that moving parts can injure,crush and cut.
- If any parts are missing,broken,damaged,or worn,stop using this product until repairs are made and/or factory replacement parts are installed.
- Do not use this item in a way inconsistent with the manufacturer's instructions as this could void the product warranty.

## TOOLS REQUIRED //



PHILLIPS  
SCREWDRIVER



DRILL  
(RECOMMENDED)



2PERSON  
ASSEMBLY



APPROXIMATELY  
30MIN. ASSEMBLY

## HARDWARE //

M3.5x45mm SCREW  
2PCS+1spare



P1

M3.5x40m SCREW  
8PCS+1spare



P2

M3.0x25mm SCREW  
2PCS+1spare



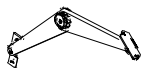
P3

M3.0x16mm SCREW  
8PCS+1spare



P4

Roof hinge  
1PC



P5

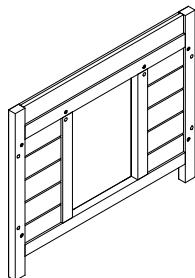
Foot pad  
4PCS



P6

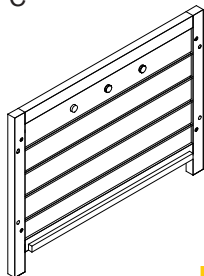
# PARTS //

Front panel  
1PC



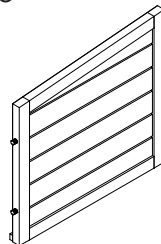
**A**

Back panel  
1PC



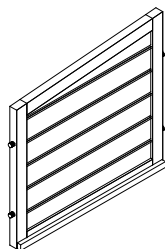
**B**

Left panel  
1PC



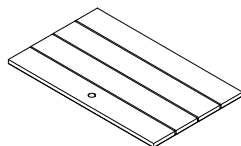
**C**

Right panel  
1PC



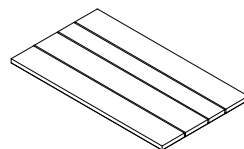
**D**

Bottom floor  
1PC



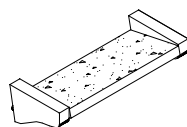
**E**

Bottom floor  
1PC



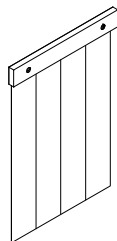
**F**

Eaves  
1PC



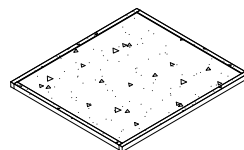
**G**

Curtain  
1PC



**H**

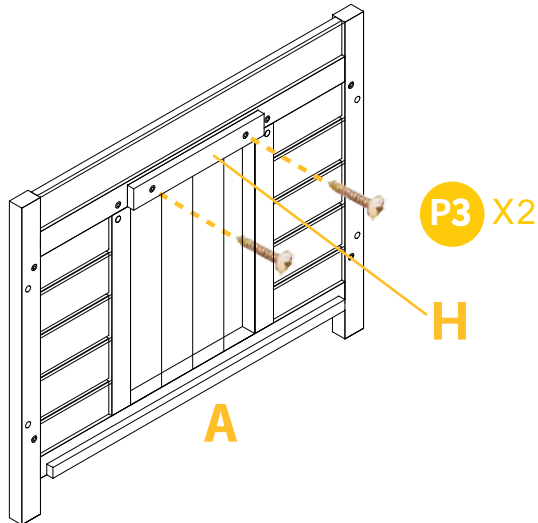
Roof  
1PC



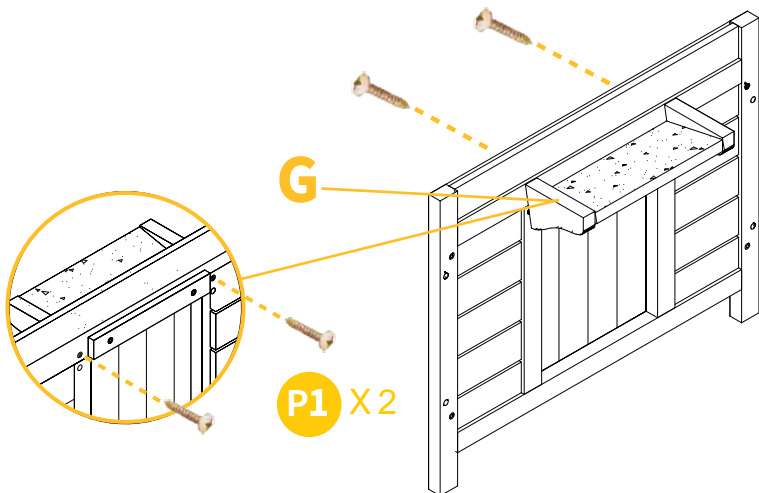
**I**

# PRODUCT ASSEMBLY //

**01** Attach the curtain part H to front panel part A by 2xP3 screws.

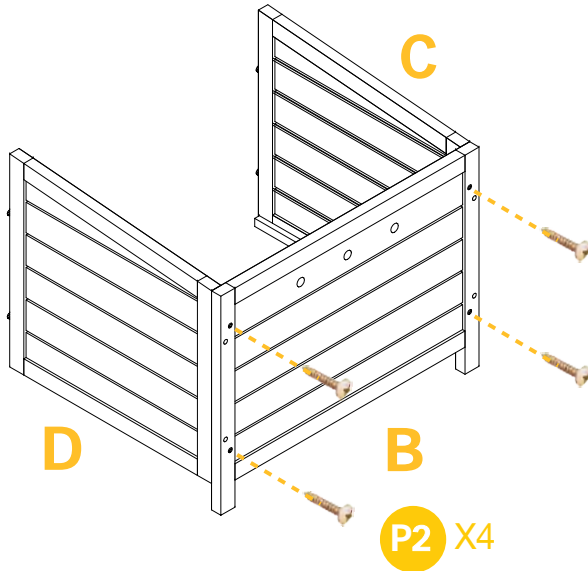


**02** Attach the Eaves part G above the door by 2xP1 screws.

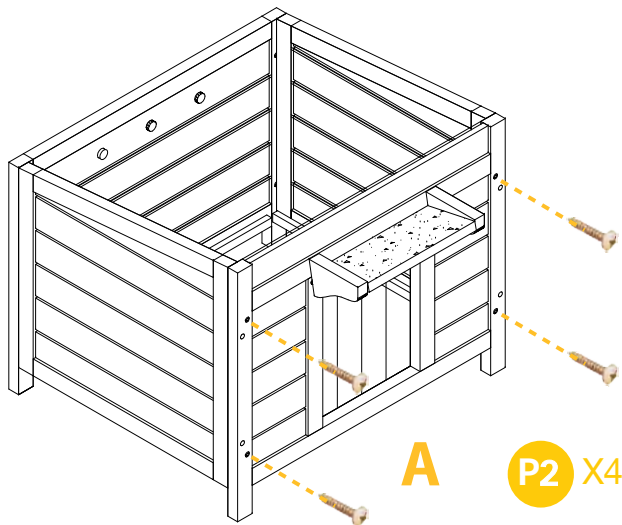


## PRODUCT ASSEMBLY //

**03** Attach the back panel part B to side panel part C & D by 4xP2 screws.

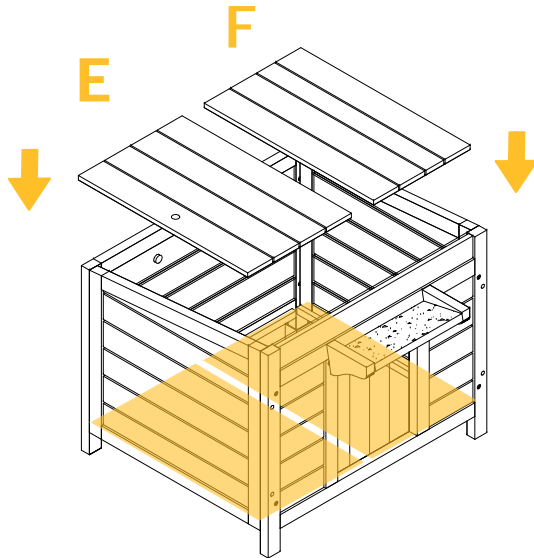


**04** Attach the front panel part A to the hutch by 4xP2 screws.

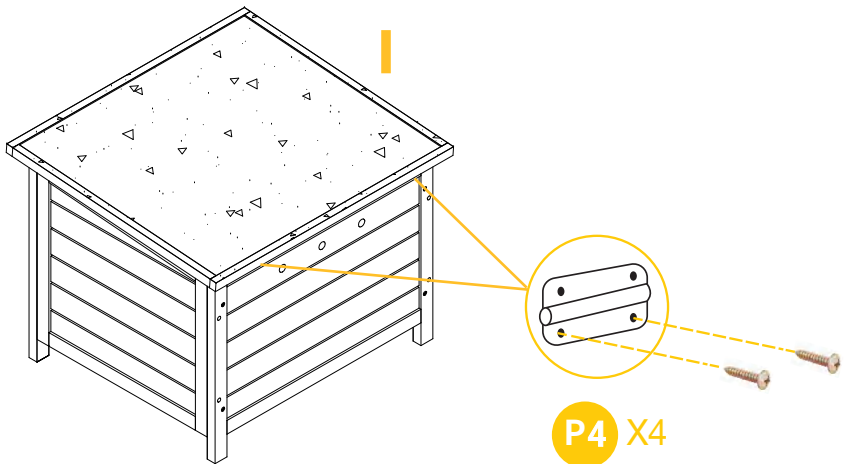


## PRODUCT ASSEMBLY //

**05** Put the bottom floor part E & F inside the hutch as show on the pictures.



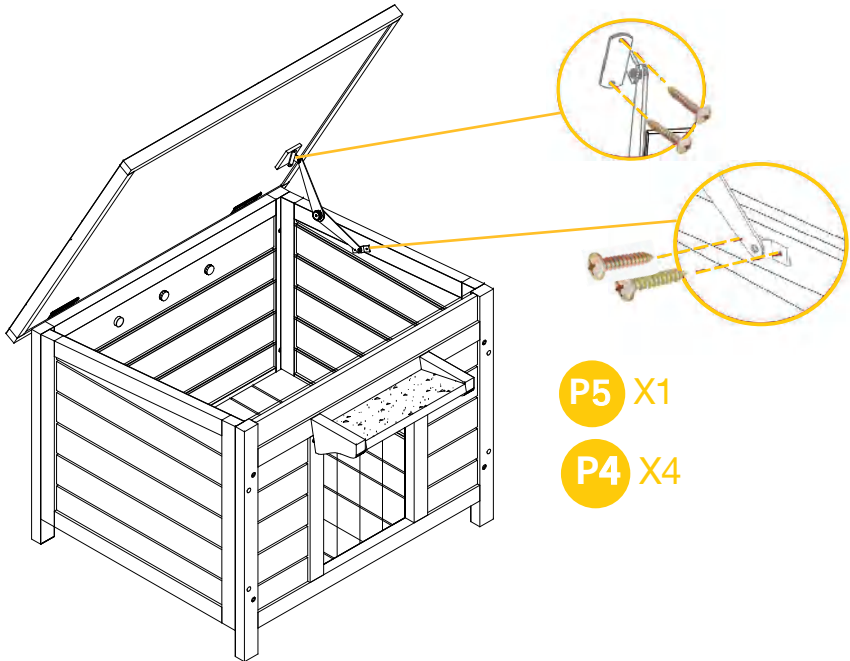
**06** Attach the roof panel part I to the hutch by 4xP4 screws.





## PRODUCT ASSEMBLY //

**07** Screw the roof hinge P5 to connect the roof and side panel by 4xP4 each side.



## PRODUCT ASSEMBLY //

**08** Attach the foot pad 4XP6 to each legs by 8xP3 screws.







**WARNING**

Manufacturer and seller expressly disclaim any and all liability for personal injury, property damage or loss, whether direct, indirect, or incidental, resulting from the incorrect attachment, improper use, inadequate maintenance, or neglect of this product.