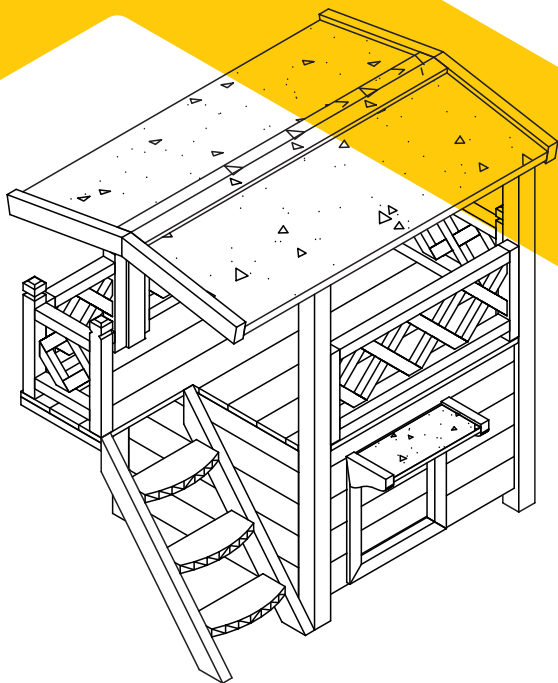


# INSTRUCTION MANUAL

AIR09-B



aivituvin

[www.aivituvin.com](http://www.aivituvin.com)



## NOTICE

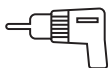
Please retain these instructions for future reference.

- Firmly secure all bolts,screws and knobs before use.
- Reconfirm that all bolts,screws,and knobs are secure every 90 days.
- Fasten screws loosely during initial assembly. Do not fully tighten screws until the item is completely assembled.
- Do not use or store this item in the proximity of open flame or flammable/combustible chemicals.
- Be aware that some parts are heavy and have sharp edges.
- Be aware that moving parts can injure,crush and cut.
- If any parts are missing,broken,damaged,or worn,stop using this product until repairs are made and/or factory replacement parts are installed.
- Do not use this item in a way inconsistent with the manufacturer' s instructions as this could void the product warranty.

## TOOLS REQUIRED //



PHILLIPS  
SCREWDRIVER



DRILL  
(RECOMMENDED)



2PERSON  
ASSEMBLY



APPROXIMATELY  
45MIN. ASSEMBLY

## HARDWARE //

M6.0x65mm BOLT  
8PCS



P1

M3.5x50mm SCREW  
14PCS+1 spare



P2

M3.5x40mm SCREW  
4PCS+1 spare



P3

M3.5x35mm SCREW  
19PCS+1 spare



P4

M3.5x25mm SCREW  
6PCS+1 spare



P5

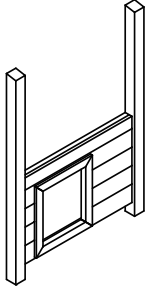
M3.5x20mm SCREW  
8PCS+1 spare



P6

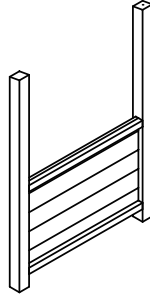
# PARTS //

Front panel  
1PC



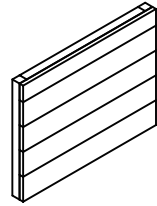
**A**

Back panel  
1PC



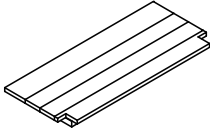
**B**

Side panel  
2PCS



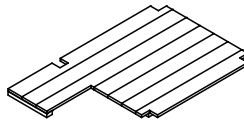
**C**

Bottom panel of hunch  
2PCS



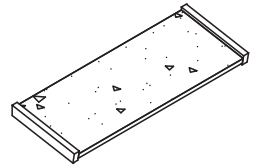
**D**

Bottom panel of pen  
1PC



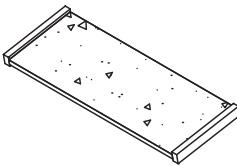
**E**

Roof  
1PC



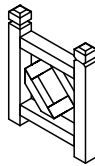
**F**

Roof  
1PC



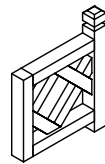
**F1**

Left panel of fence  
1PC



**G**

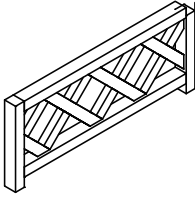
Short panel of back fence  
1PC



**H**

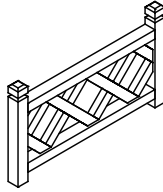
# PARTS

Front and back panel of fence  
2PCS



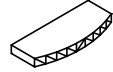
**I**

Right panel of fence  
1PC



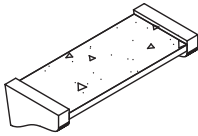
**J**

Ramp step  
3PCS



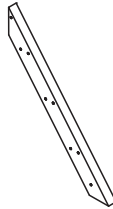
**K**

Roof of front panel  
1PC



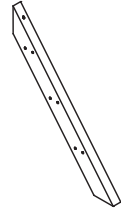
**L**

Right ramp frame  
1PC



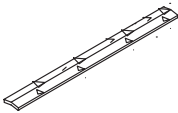
**M**

Left ramp frame  
1PC



**N**

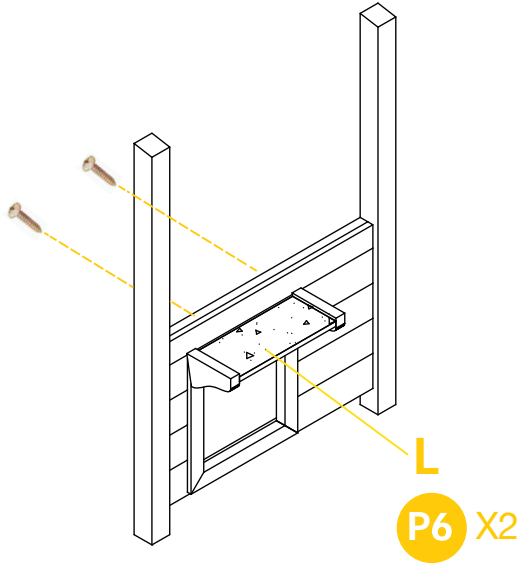
Roof cap  
1PC



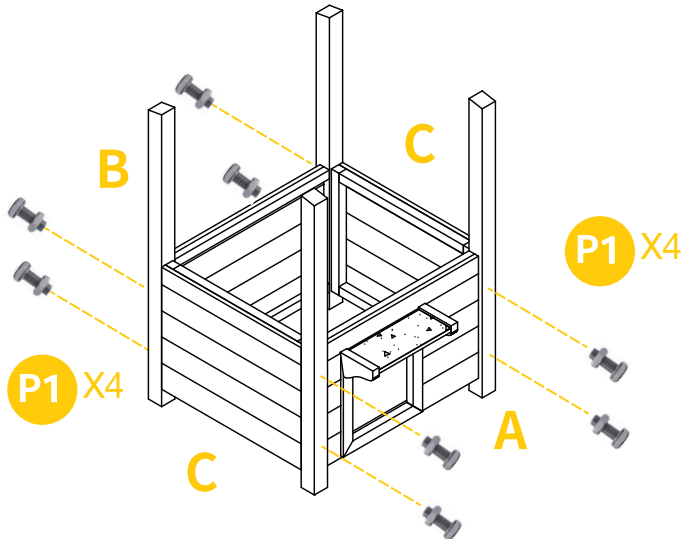
**O**

# PRODUCT ASSEMBLY //

**01** Attach the roof of front panel Part L to the Part A with 2xP6 screws.

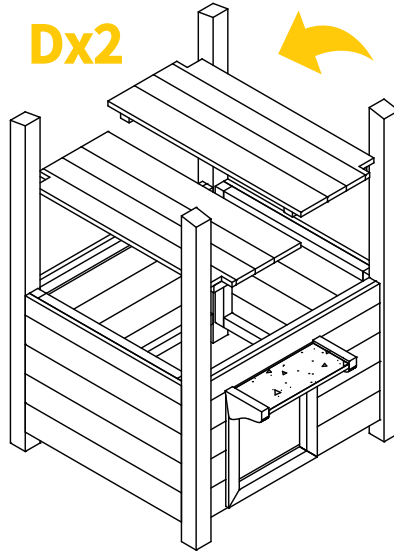


**02** Connect Part A, Part B and two pieces of Part C with 8xP1 bolts.

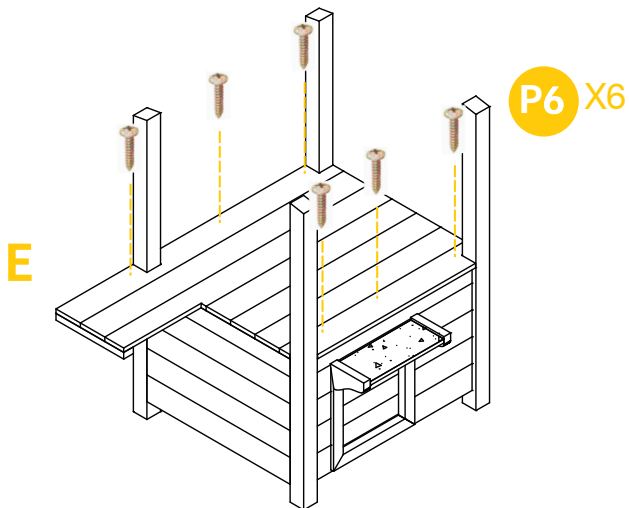


## PRODUCT ASSEMBLY //

**03** Put down two pieces of bottom panels Part D into the hutch.

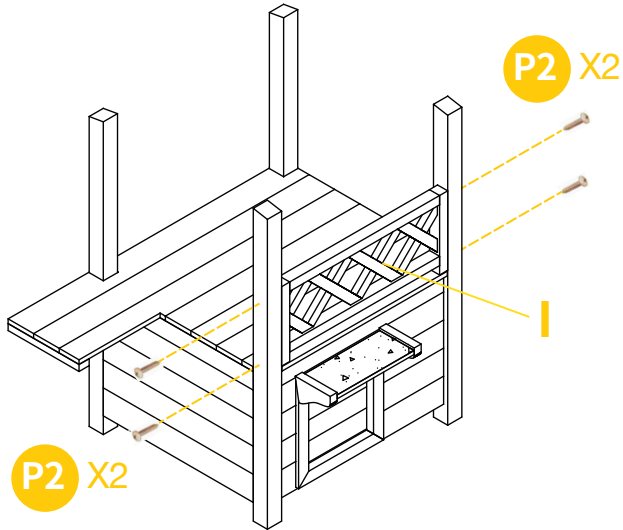


**04** Attach bottom panel of the pen Part E to the hutch with 6xP6 screws.

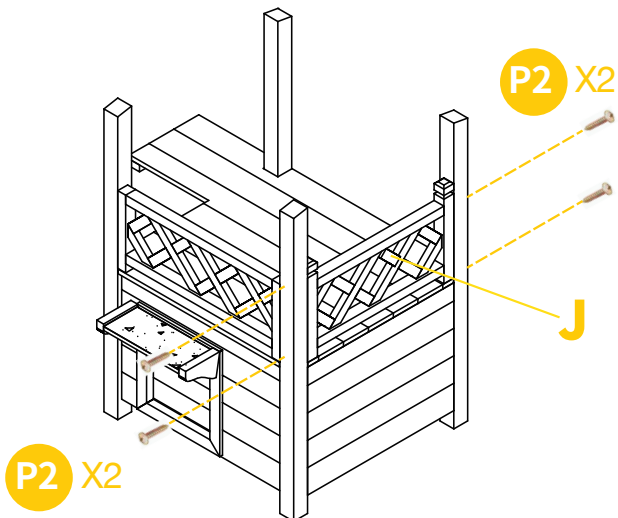


## PRODUCT ASSEMBLY //

**05** Attach front panel of fence Part I with 4xP2 screws.



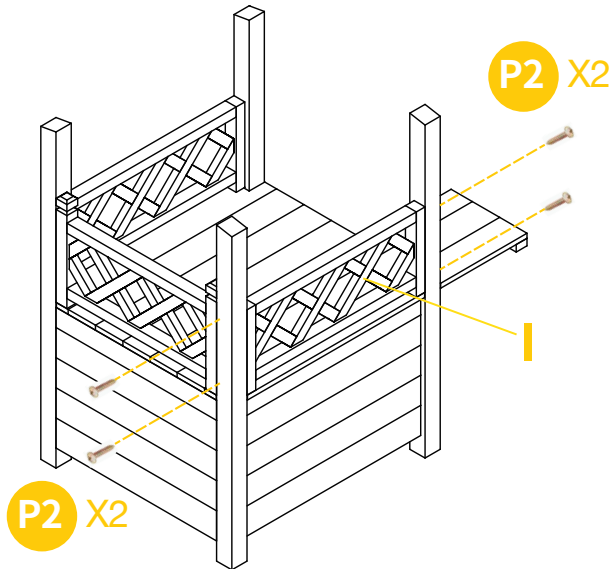
**06** Attach right panel of fence Part J with 4xP2 screws.



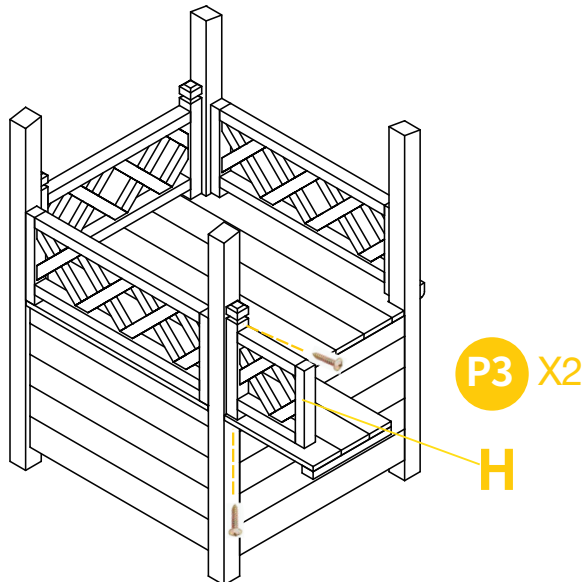


## PRODUCT ASSEMBLY //

**07** Attach back panel of fence Part I with 4xP2 screws.

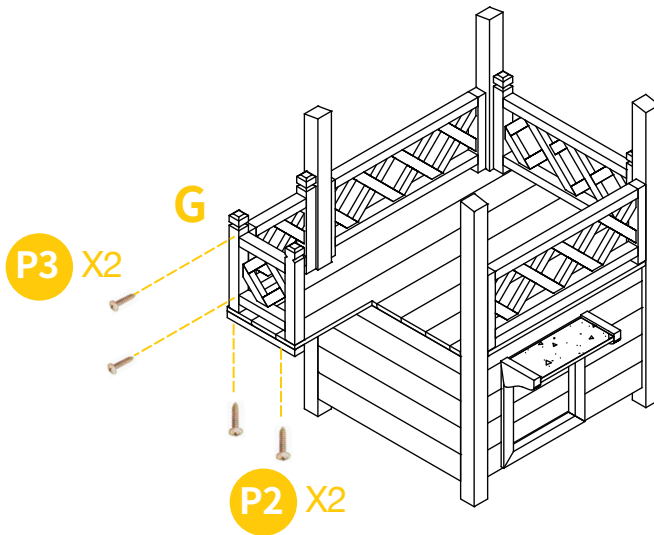


**08** Attach short panel of back fence Part H with 2xP3 screws.

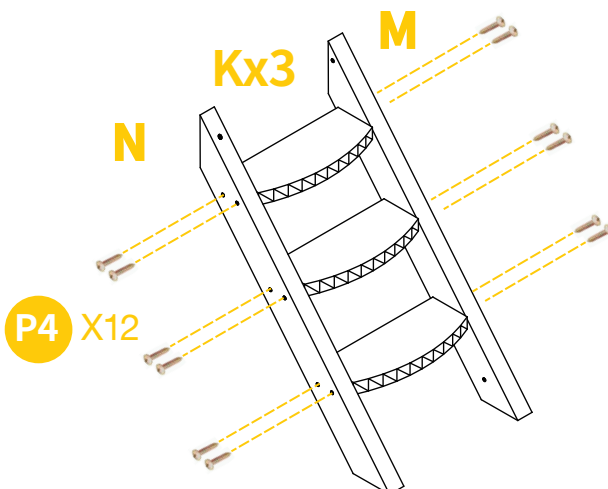


## PRODUCT ASSEMBLY //

**09** Attach short panel of left fence Part G by 2xP3 screws and 2xP2 screws.



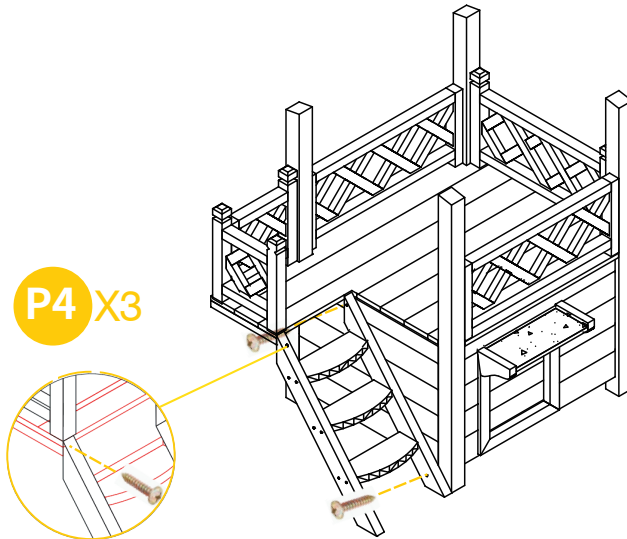
**10** Attach Part M, Part N and three pcs of Part K with 12xP4 screws.



## PRODUCT ASSEMBLY //

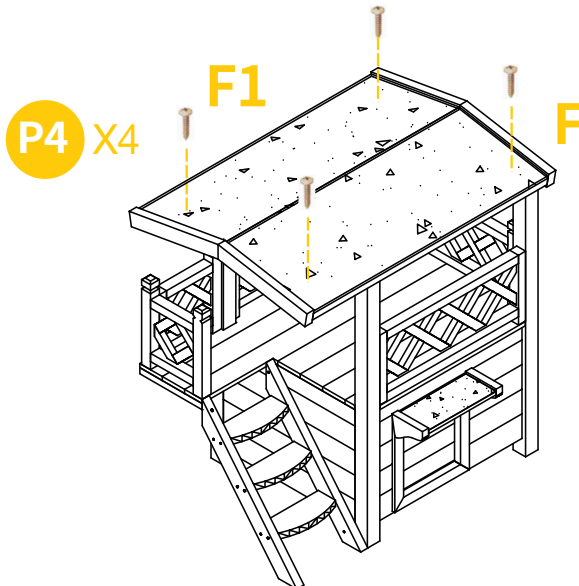
# 11

Attach the ramp to the hutch with 3xP4 screws.



# 12

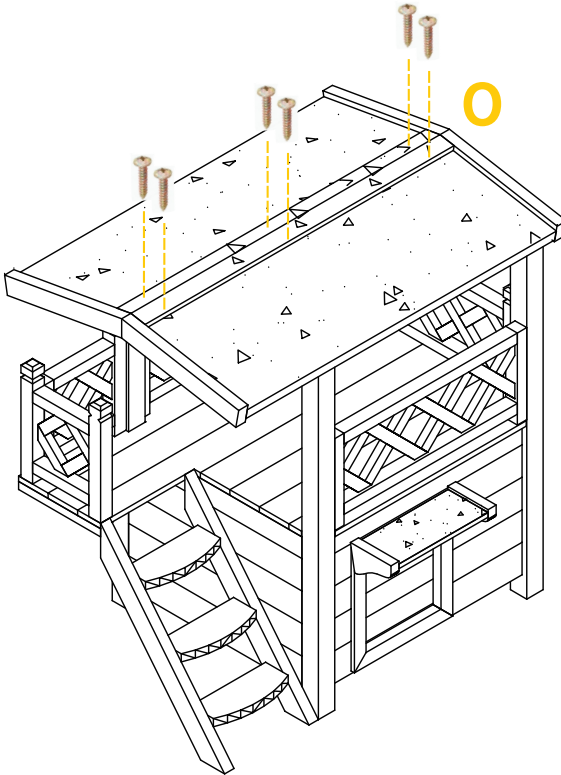
Attach the roof Part F and Part F1 with 4xP4 screws. Notice to level up the same line with two roof.



## PRODUCT ASSEMBLY //

13

Screw the roof cap Part O into the roof with 6xP5 screws.



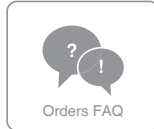
P5 X6

## HELP CENTER //

Question about your product? we're here to help contact us via



***service@aivotuvin.com***



## THANK YOU //

Thanks for your support to Aivotuvin.

Your satisfaction is our #1 priority.

Once the items are received, opened, and deemed to be faulty or other problems.

Pls contact us at ***service@aivotuvin.com*** for the solution.

We will feedback to you within 24 hours.

If you are happy with the shopping ,welcome to share photos and thoughts with others .



**WARNING**

Manufacturer and seller expressly disclaim any and all liability for personal injury, property damage or loss, whether direct, indirect, or incidental, resulting from the incorrect attachment, improper use, inadequate maintenance, or neglect of this product.