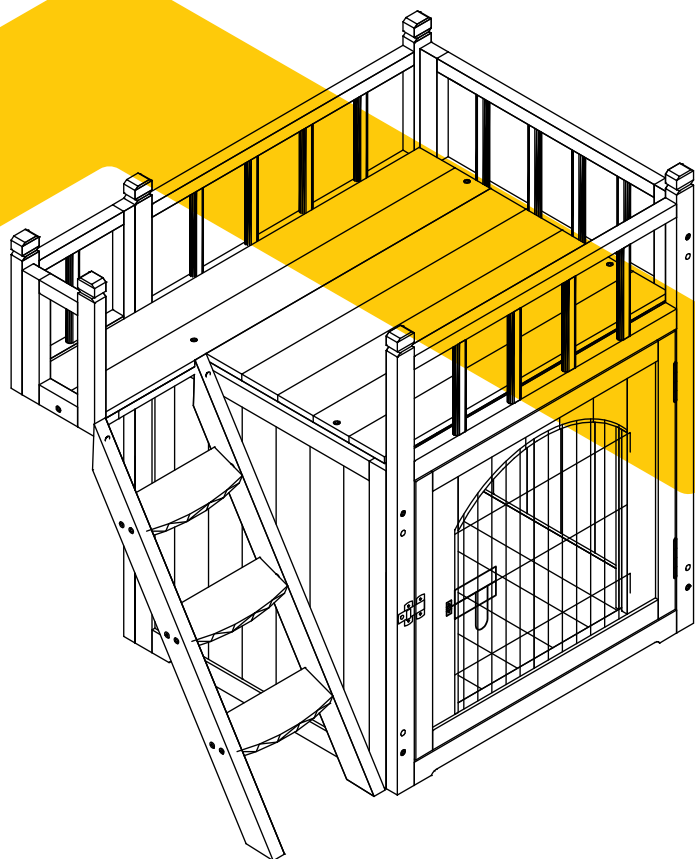


# INSTRUCTION MANUAL

AIR08-B



aivituvin

[www.aivituvin.com](http://www.aivituvin.com)





## NOTICE

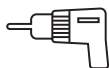
Please retain these instructions for future reference.

- Firmly secure all bolts,screws and knobs before use.
- Reconfirm that all bolts,screws,and knobs are secure every 90 days.
- Fasten screws loosely during initial assembly. Do not fully tighten screws until the item is completely assembled.
- Do not use or store this item in the proximity of open flame or flammable/combustible chemicals.
- Be aware that some parts are heavy and have sharp edges.
- Be aware that moving parts can injure,crush and cut.
- If any parts are missing,broken,damaged,or worn,stop using this product until repairs are made and/or factory replacement parts are installed.
- Do not use this item in a way inconsistent with the manufacturer' s instructions as this could void the product warranty.

## TOOLS REQUIRED //



PHILLIPS  
SCREWDRIVER



DRILL  
(RECOMMENDED)



2PERSON  
ASSEMBLY



APPROXIMATELY  
45MIN. ASSEMBLY

## HARDWARE //

M3.5x40mm SCREW  
8PCS+1 spare



P1

M3.5x35mm SCREW  
17PCS+1 spare



P2

M3.5x25mm SCREW  
6PCS+1 spare



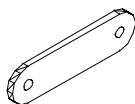
P3

M3.0x16mm SCREW  
2PCS+1 spare



P4

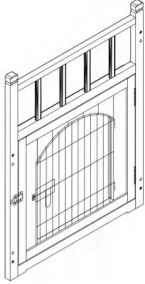
1PC



P5

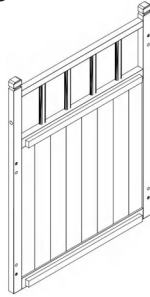
# PARTS //

Front panel  
1PC



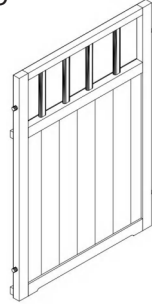
**A**

Back panel  
1PC



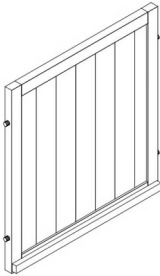
**B**

Right side panel  
1PC



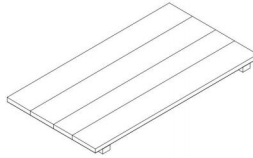
**C**

Left side panel  
1PC



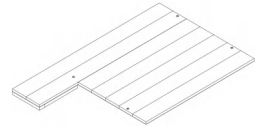
**D**

Floor-Bottom  
2PCS



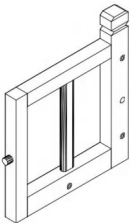
**E**

Floor-Upper  
1PC



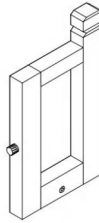
**F**

Little Back fence  
1PC



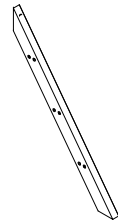
**G**

Little Left side fence  
1PC



**H**

Ramp frame-Left  
1PC

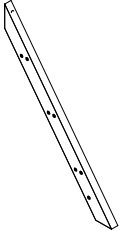


**I**

# PARTS //

Ramp frame-Right

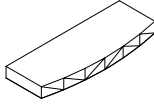
1PC



**J**

Ramp steps

3PCS

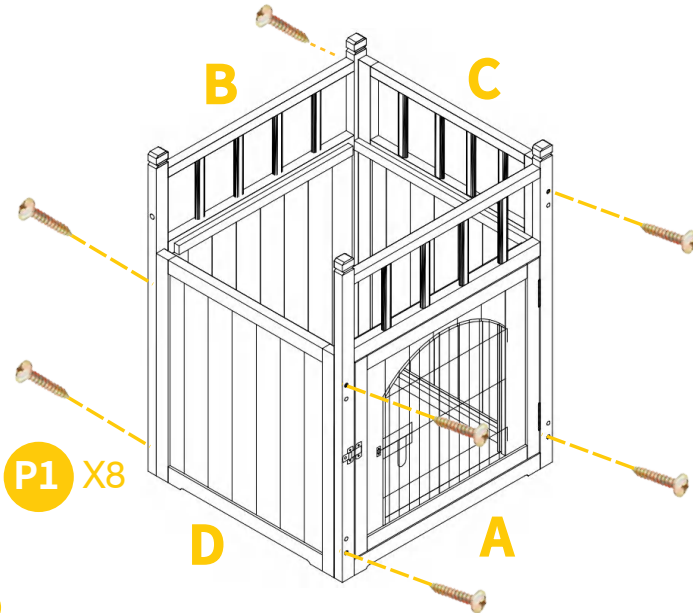


**K**

# PRODUCT ASSEMBLY //

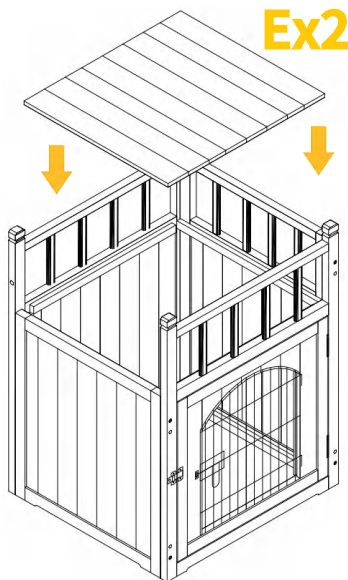
01

Attach the panel Parts A, B, C & D by 4XP1srews.



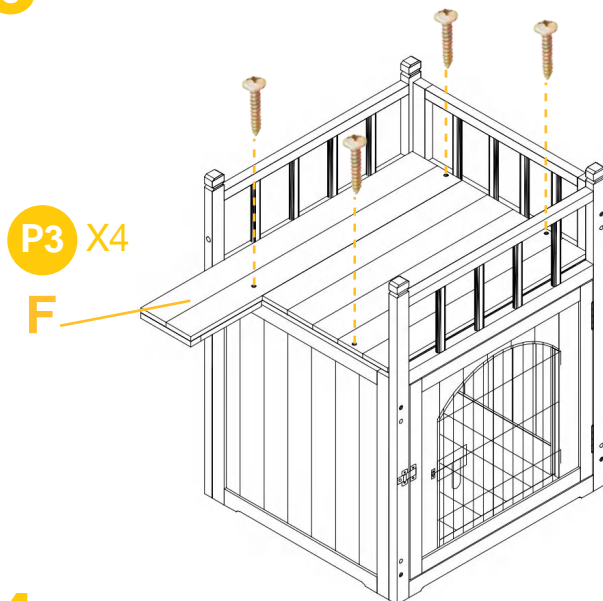
02

Put the 2 pieces bottom floor part E inside the house.

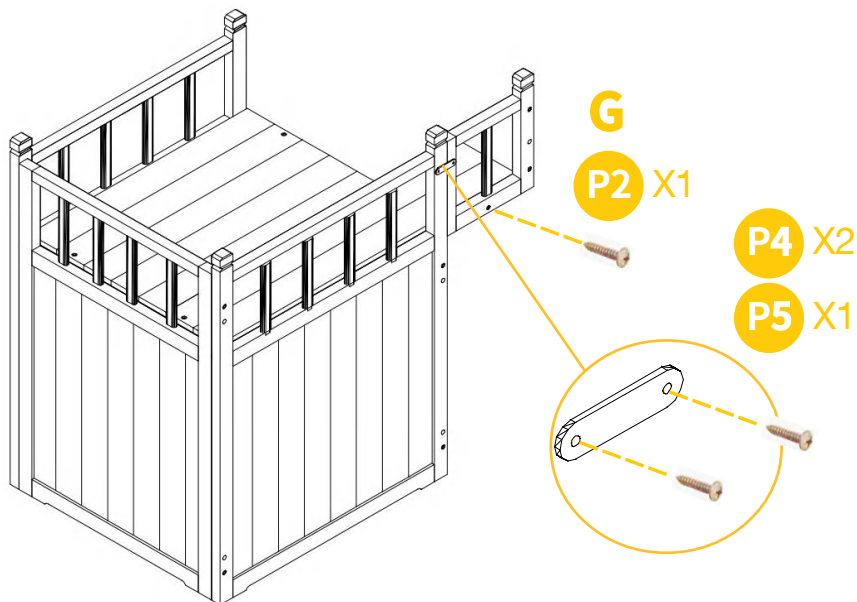


## PRODUCT ASSEMBLY //

**03** Attach the upper floor parts F to the house by 4xP3 screws.



**04** Attach the little Back fence part G to the upper floor with 1xP5 by 2xP4 screws and 1xP2 screws.

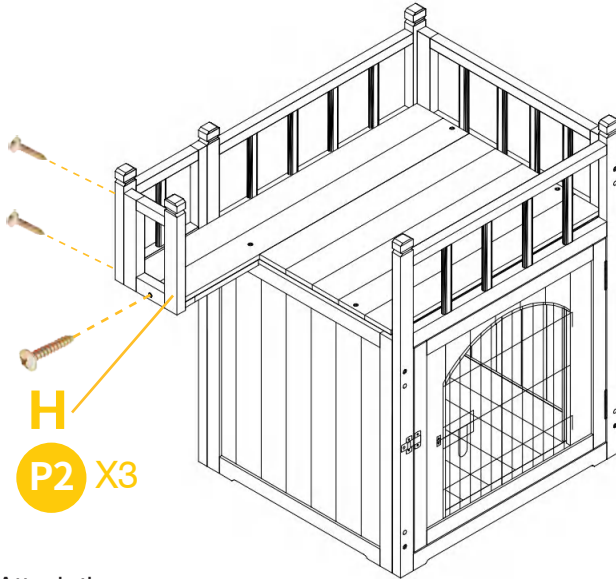




## PRODUCT ASSEMBLY //

05

Attach Little Left side fence part H to the upper floor by 3xP2 screws as show on pictures.

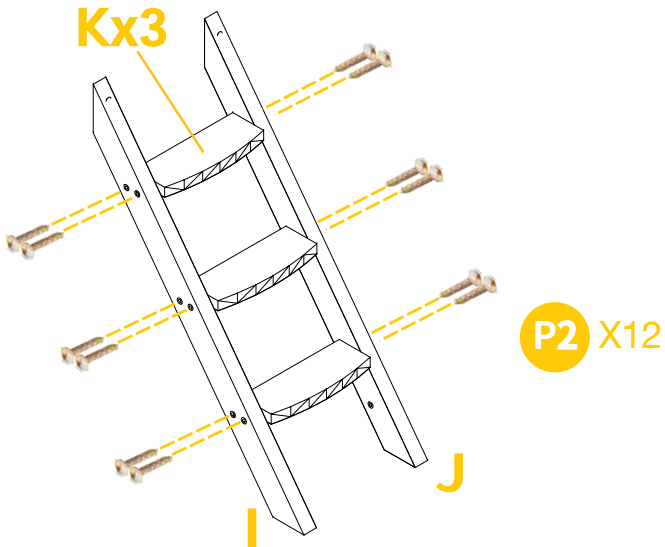


H  
P2 X3

06

Attach the ramp.

Attach the part I ,J and 3 pieces of ramp steps part K by 12xP2 screws.

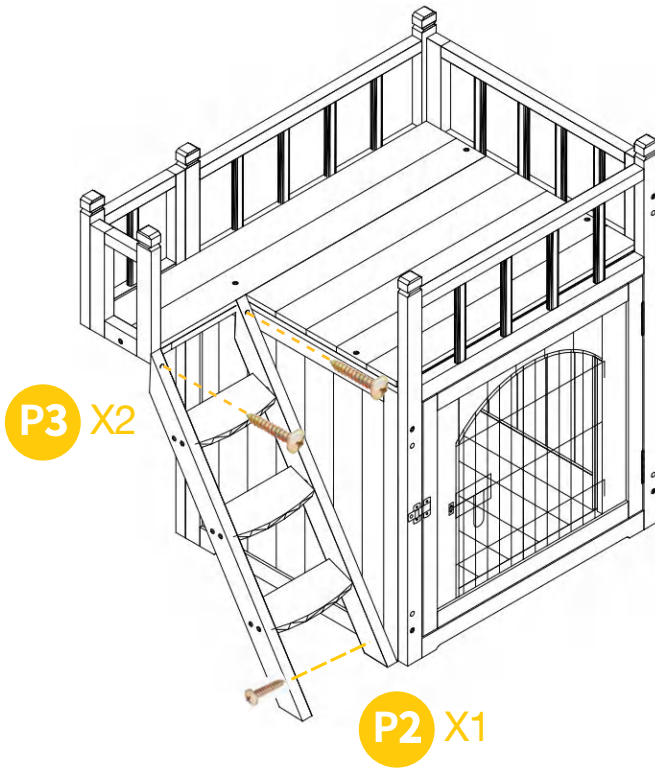


Kx3

P2 X12

## PRODUCT ASSEMBLY //

**07** Attach the ramp to the house by 1xP2 & 2xP3 screws as show on pictures.







**WARNING**

Manufacturer and seller expressly disclaim any and all liability for personal injury, property damage or loss, whether direct, indirect, or incidental, resulting from the incorrect attachment, improper use, inadequate maintenance, or neglect of this product.