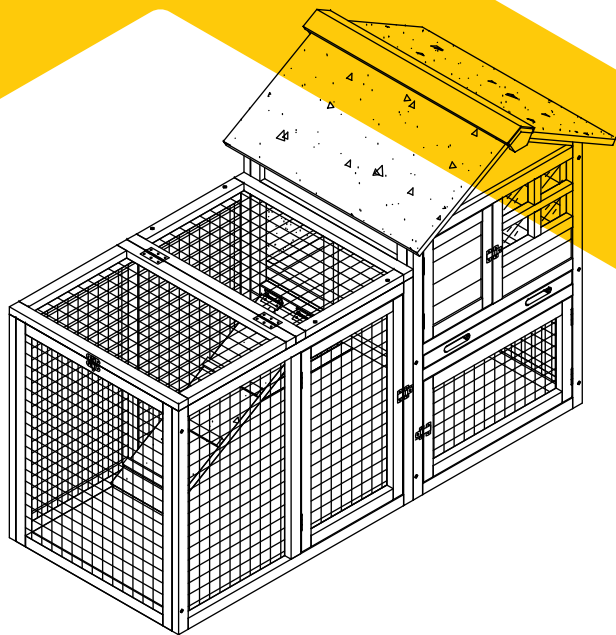


INSTRUCTION MANUAL

XZ7002



aivituvin

www.aivituvin.com



NOTICE

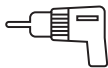
Please retain these instructions for future reference.

- Firmly secure all bolts,screws and knobs before use.
- Reconfirm that all bolts,screws,and knobs are secure every 90 days.
- Fasten screws loosely during initial assembly. Do not fully tighten screws until the item is completely assembled.
- Do not use or store this item in the proximity of open flame or flammable/combustible chemicals.
- Be aware that some parts are heavy and have sharp edges.
- Be aware that moving parts can injure,crush and cut.
- If any parts are missing,broken,damaged,or worn,stop using this product until repairs are made and/or factory replacement parts are installed.
- Do not use this item in a way inconsistent with the manufacturer's instructions as this could void the product warranty.

TOOLS REQUIRED //



PHILLIPS
SCREWDRIVER



DRILL
(RECOMMENDED)



2PERSON
ASSEMBLY



APPROXIMATELY
45MIN. ASSEMBLY

HARDWARE //

M3.5x50mm SCREW
4PCS+1 spare



P1

M3.5x40mm BOLT
18PCS+1 spare



P2

M3.5x35mm SCREW
8PCS+1 spare



P3

M3.5x25mm SCREW
4PCS+1 spare



P4

M3.0x16mm SCREW
8PCS+1 spare



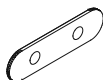
P5

Latch
1PC



P6

2PCS



P7

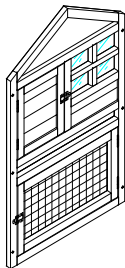
M3.0x16mm SCREW
4PCS+1 spare



P8

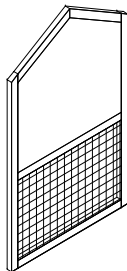
PARTS

Front panel
1PC



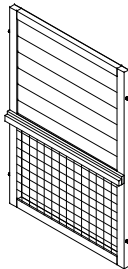
A

Back panel
1PC



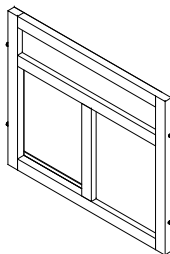
B

Right panel
1PC



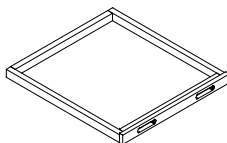
C

Divider
1PC



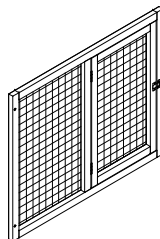
D

Tray
1PC



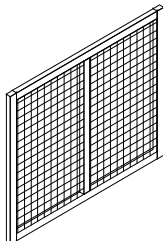
E

Front panel of pen
1PC



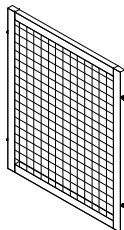
F

Back panel of pen
1PC



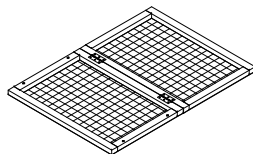
G

Side panel of pen
1PC



H

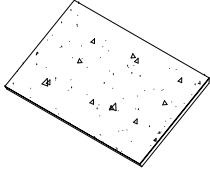
Roof of pen
1PC



I

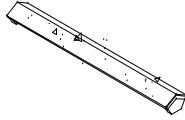
PARTS

Roofs of hutch
2PCS



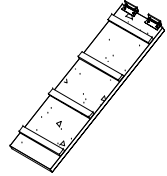
J

Roof cap
1PC



K

Ramp
1PC

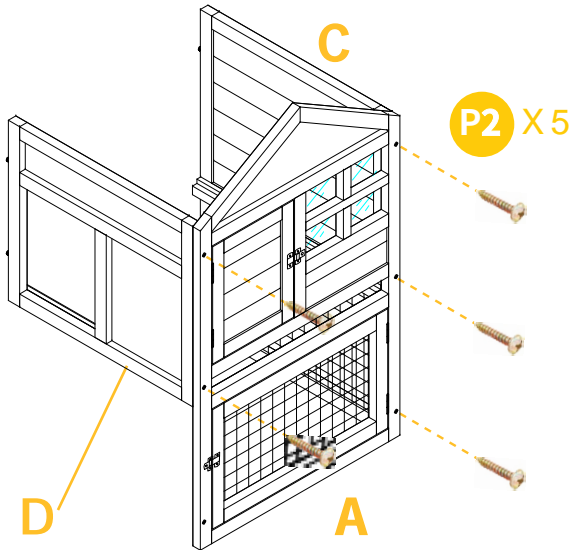


L

PRODUCT ASSEMBLY //

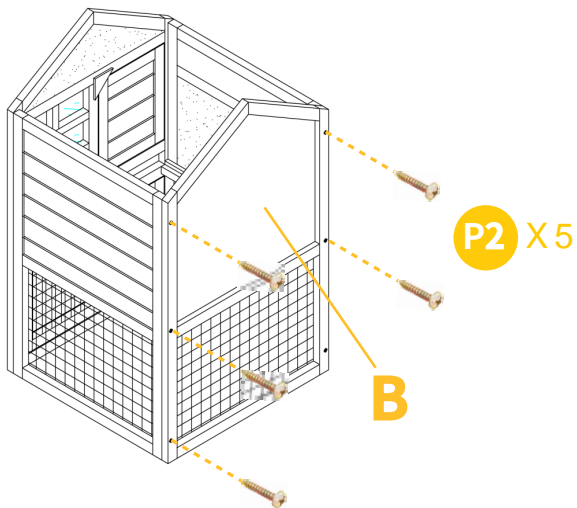
01

Attach Part A, C & D by 5xP2 screws.
Pls notice the Divider Parts D attach on the left side.



02

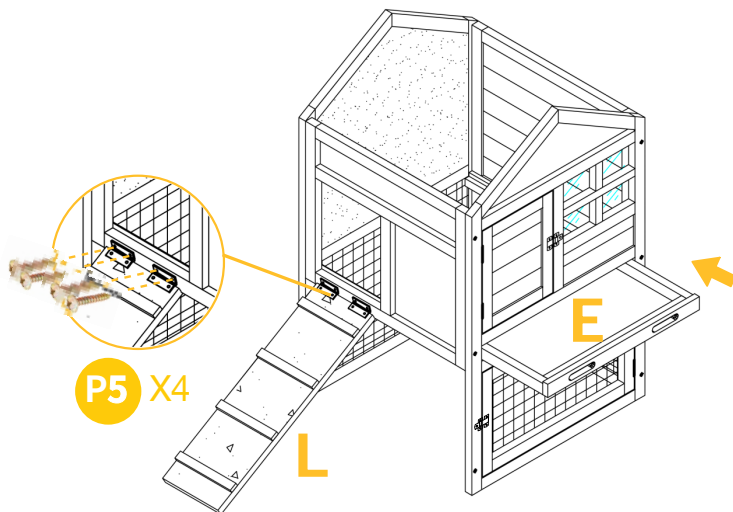
Attach the back panel Part B by 5xP2 screws.



PRODUCT ASSEMBLY //

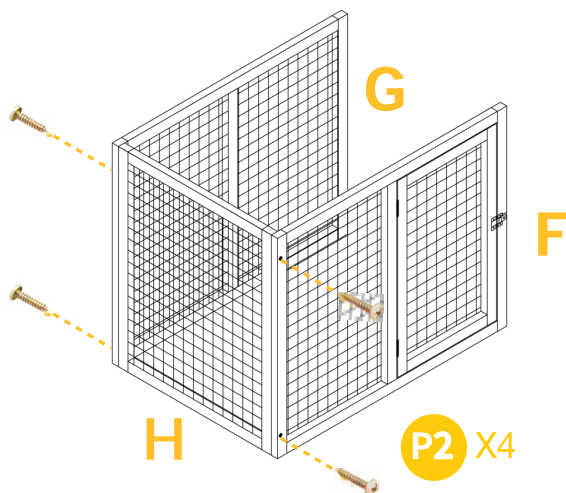
03

Screw the ramp Part L to the left divider by 4xP5 screws as show on the pictures.
Slide in the tray Part E.



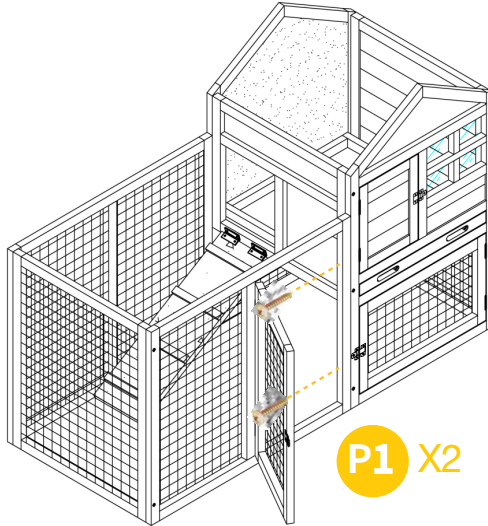
04

Attach the pen !
Attach Part H, F & G by 4xP2 screws.

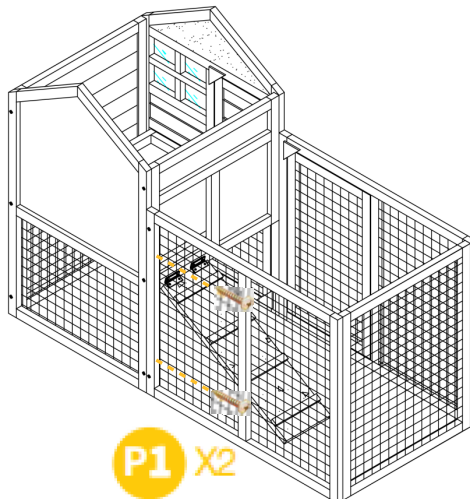


PRODUCT ASSEMBLY //

05 Attach the pen to the hutch from front by 2xP1 screws.



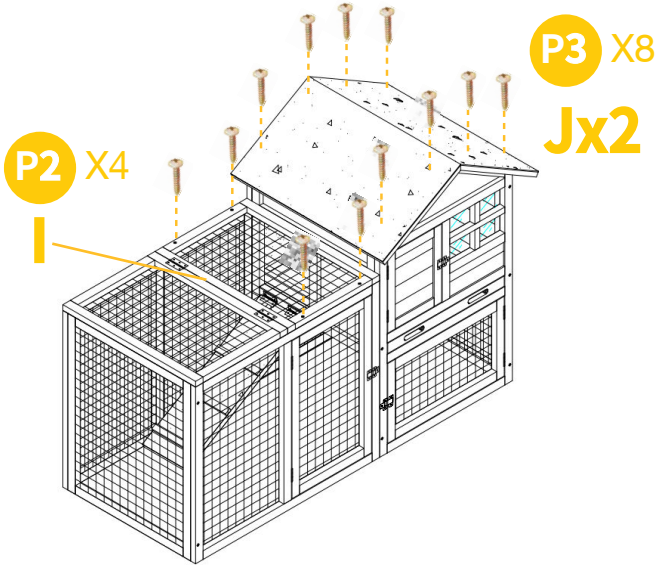
06 Attach the pen to the hutch from back by 2xP1 screws.



PRODUCT ASSEMBLY //

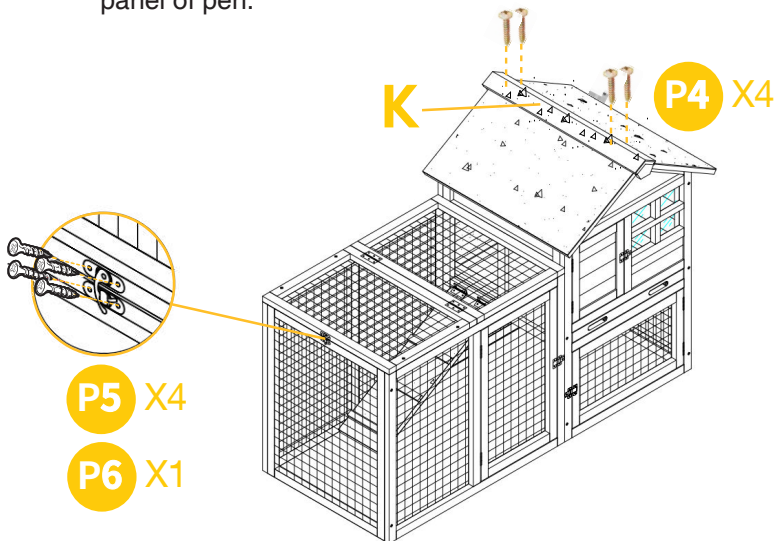
07

Attach 2pcs of roof of hutch Part J to the hutch by 8xP3 screws.
Attach roof of pen Part I to the pen by 4xP2 screws.



08

Screw the roof cap Part K by 4xP4 screws.
Screw the latch P6 by 4xP5 screws to connect top and side panel of pen.



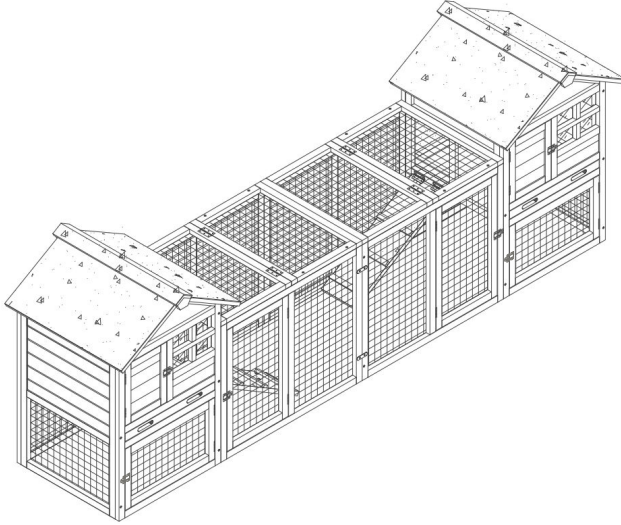
NOTICE

Pls ignore the following for only one coop owner !

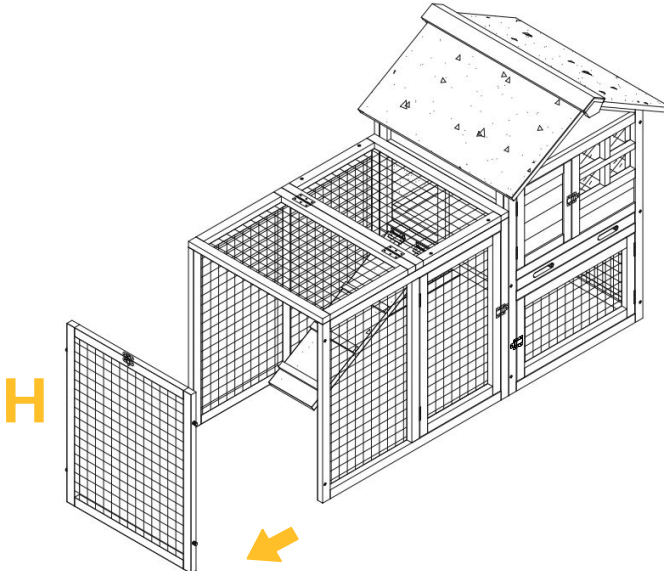
The below steps are the assembly for the 2nd coop if you buying 2 coops !

From step 9 to step 20 are assemble steps for 2nd coop !

The assemble direction of the 2nd hutch Part D divider are difference with 1st hutch, pls notice step 1 & 10 !



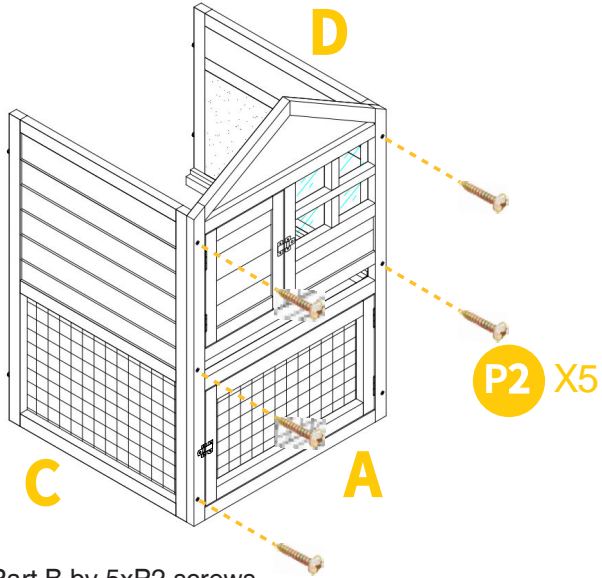
09 Take out side panel of pen Part H first of 1st hutch which you have assembled according to the above steps.



PRODUCT ASSEMBLY //

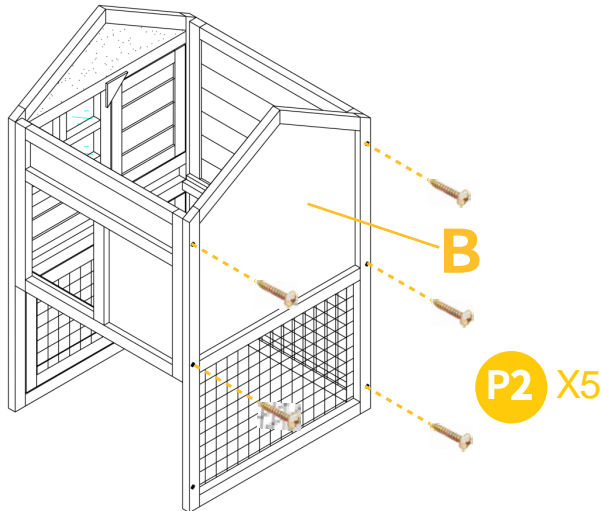
10

Attach Part A, C, & D by 5xP2 screws.
Pls notice the Divider Parts D attach on the right side.
(The direction of Part D is difference from 1st hutch)



11

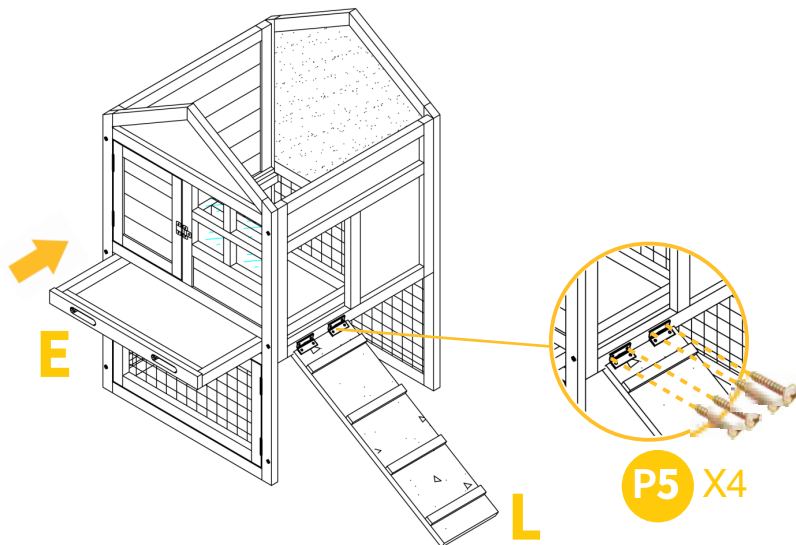
Attach Part B by 5xP2 screws.



PRODUCT ASSEMBLY //

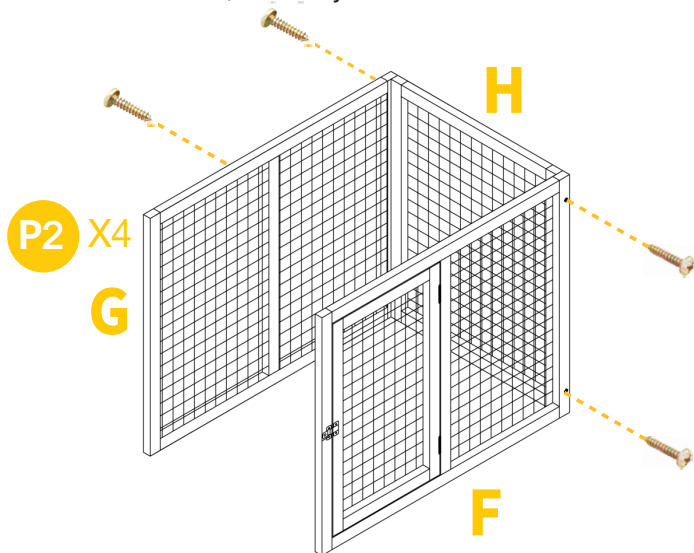
12

Screw the ramp Part L to the right divider by 4xP5 screws as show on the pictures.
Slide in the tray Part E.



13

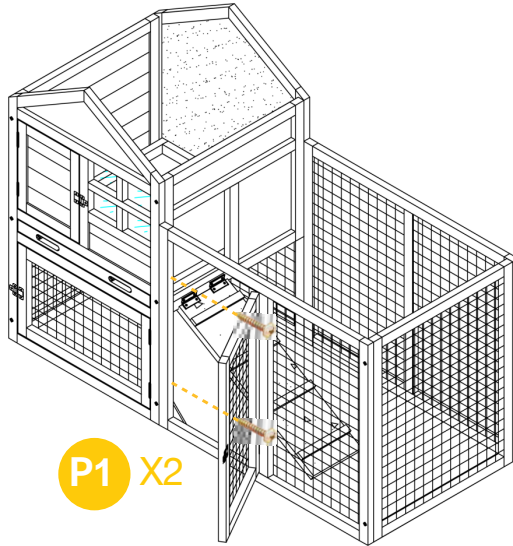
Attach the pen !
Attach Part H, F & G by 4xP2 screws.



PRODUCT ASSEMBLY //

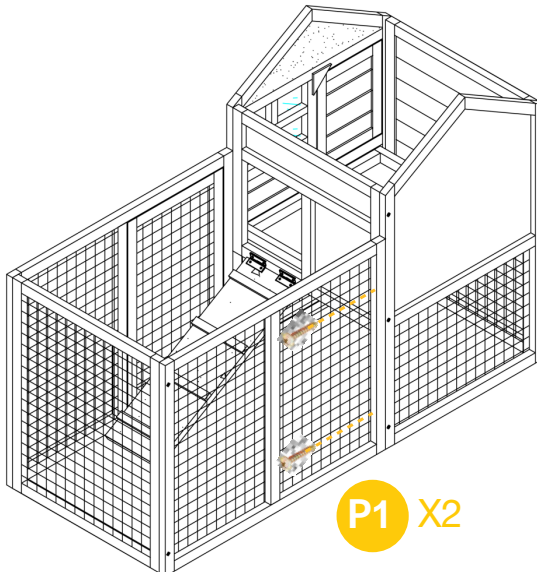
14

Attach the pen to the hutch from front by 2xP1 screws.



15

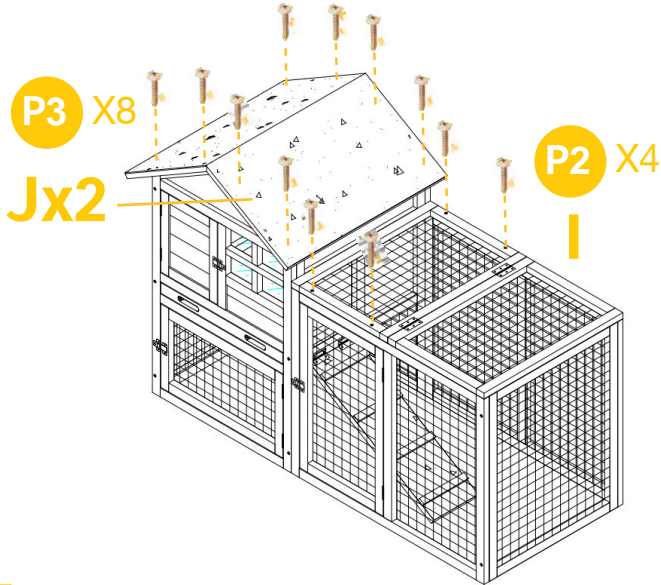
Attach the pen to the hutch from back by 2xP1 screws.



PRODUCT ASSEMBLY //

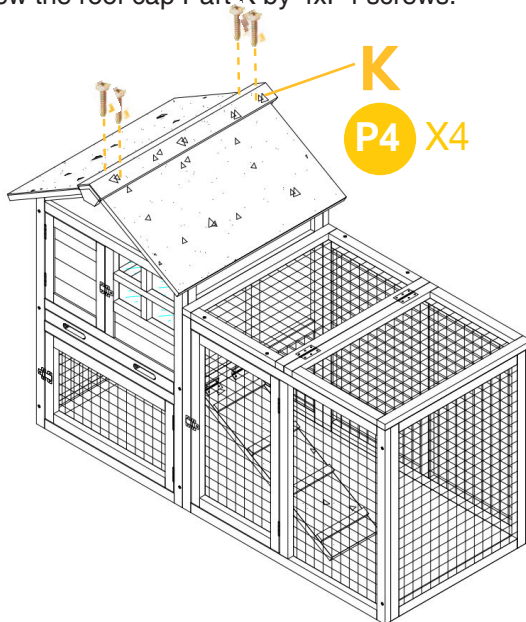
16

Attach 2pcs of roof of hutch Part J to the hutch by 8xP3 screws.
Attach roof of pen Part I to the pen by 4xP2 screws.



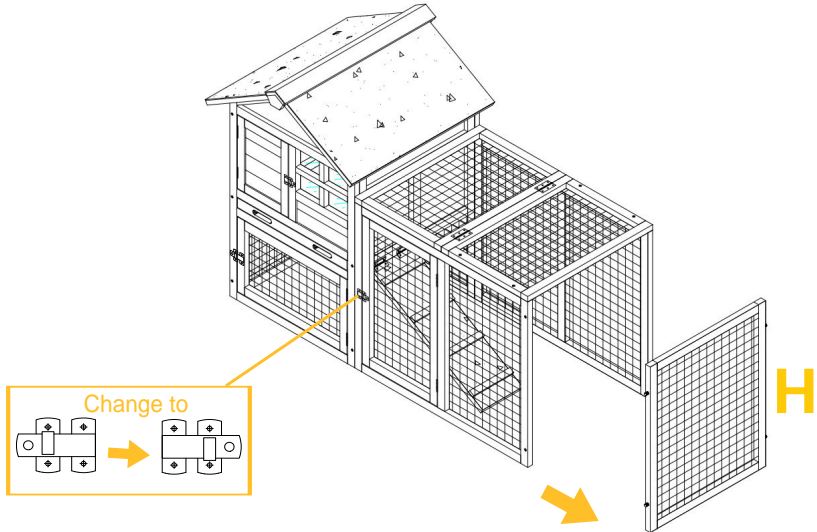
17

Screw the roof cap Part K by 4xP4 screws.

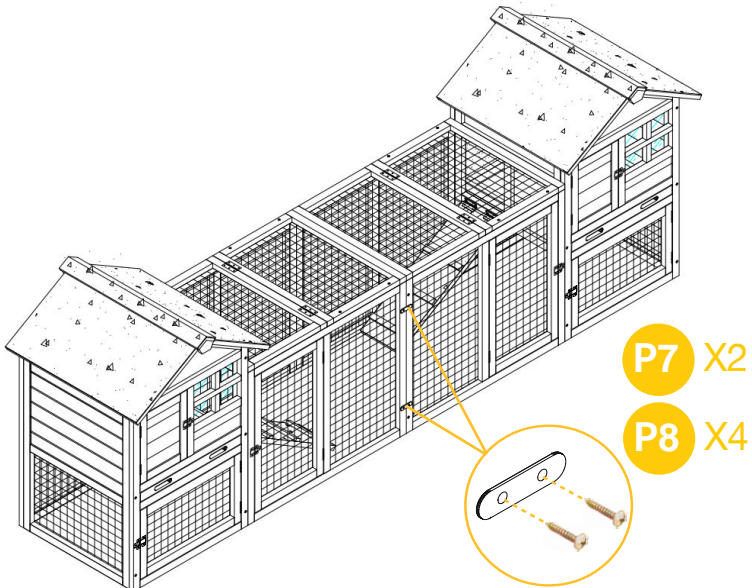


PRODUCT ASSEMBLY //

- 18** For this step, the previous latch need to be took out and rescrew to the right position show as picture.
Take out side panel of pen Part H from 2nd hutch.

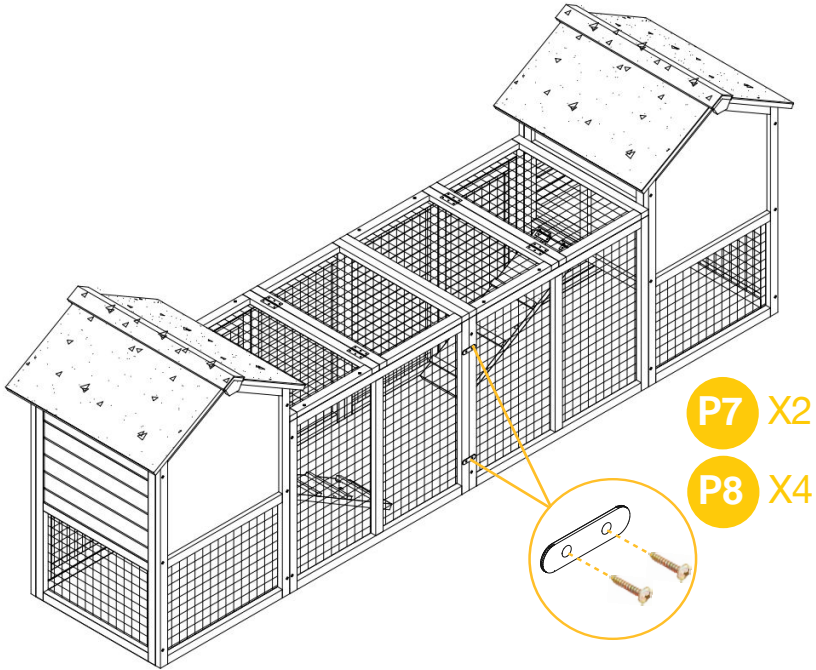


- 19** Attach the second hutch to first hutch with 2xP7 from front by 4xP8 screws.



PRODUCT ASSEMBLY //

20 Attach the second hutch to first hutch with 2xP7 from back by 4xP8 screws.

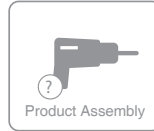


HELP CENTER //

Question about your product? we're here to help contact us via



service@aivotuvin.com



THANK YOU //

Thanks for your support to Aivotuvin.

Your satisfaction is our #1 priority.

Once the items are received, opened, and deemed to be faulty or other problems.

Pls contact us at ***service@aivotuvin.com*** for the solution.

We will feedback to you within 24 hours.

If you are happy with the shopping ,welcome to share photos and thoughts with others .



WARNING

Manufacturer and seller expressly disclaim any and all liability for personal injury, property damage or loss, whether direct, indirect, or incidental, resulting from the incorrect attachment, improper use, inadequate maintenance, or neglect of this product.