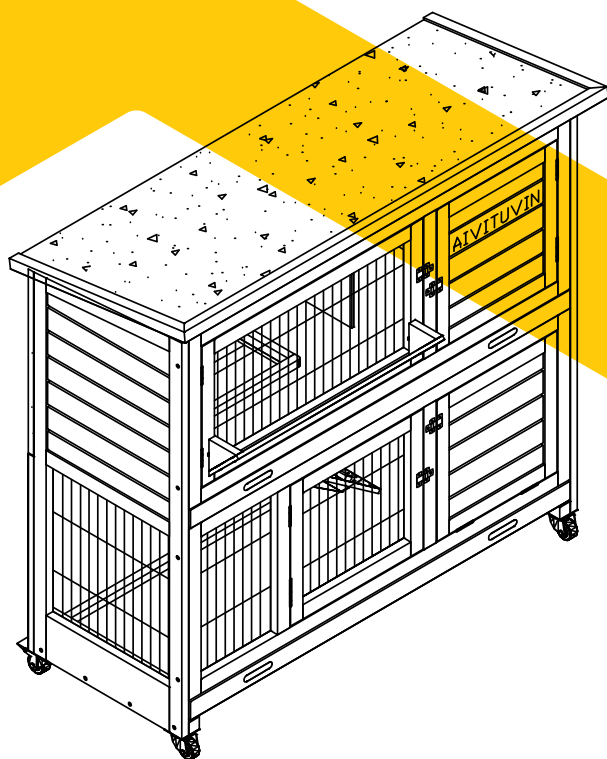


INSTRUCTION MANUAL

AIR 77



 aivituvin

www.aivituvin.com



NOTICE

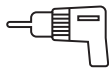
Please retain these instructions for future reference.

- Firmly secure all bolts,screws and knobs before use.
- Reconfirm that all bolts,screws,and knobs are secure every 90 days.
- Fasten screws loosely during initial assembly. Do not fully tighten screws until the item is completely assembled.
- Do not use or store this item in the proximity of open flame or flammable/combustible chemicals.
- Be aware that some parts are heavy and have sharp edges.
- Be aware that moving parts can injure,crush and cut.
- If any parts are missing,broken,damaged,or worn,stop using this product until repairs are made and/or factory replacement parts are installed.
- Do not use this item in a way inconsistent with the manufacturer's instructions as this could void the product warranty.

TOOLS REQUIRED //



PHILLIPS
SCREWDRIVER



DRILL
(RECOMMENDED)



2PERSON
ASSEMBLY



APPROXIMATELY
45MIN. ASSEMBLY

HARDWARE //

M3.5x45mm SCREW
8PCS+1spare



P1

M3.5x35mm SCREW
8PCS+1spare



P2

M3.5x25mm SCREW
16PCS+1spare



P3

M3.0x20mm SCREW
4PCS+1spare



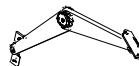
P4

M3.0x16mm SCREW
16PCS+1spare



P5

Roof hinge
2PCS



P6

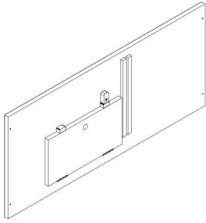
M4.0x20 mm BOLT
2PCS+1 spare



P7

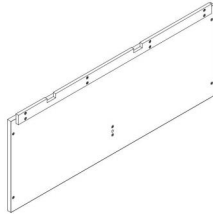
PARTS //

Upper Back Panel
1PC



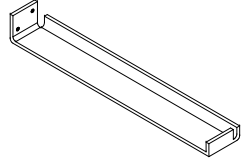
A

Lower Back Panel
1PC



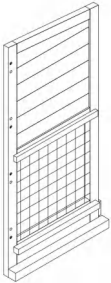
B

Metal ramp supporting
1PC



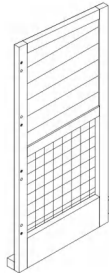
C

Left Panel
1PC



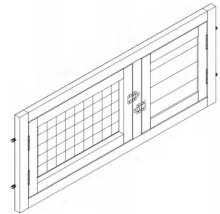
D

Right Panel
1PC



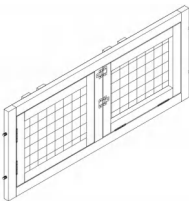
E

Upper Front Panel
1PC



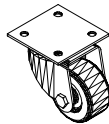
F

Lower Front Panel
1PC



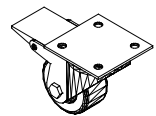
G

Casters without brake
2PCS



H

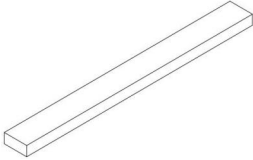
Brake casters
2PCS



I

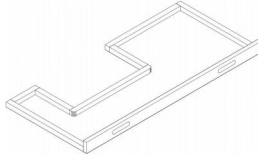
PARTS //

Tray Supporter
2PCS



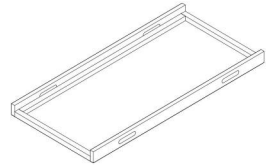
J

Upper Tray
1PC



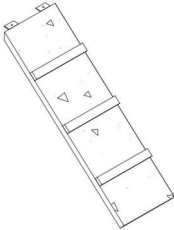
K

Lower Tray
1PC



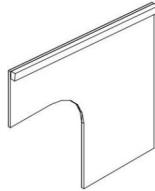
L

Ramp
1PC



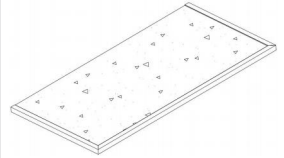
M

Divider
1PC



N

Roof
1PC

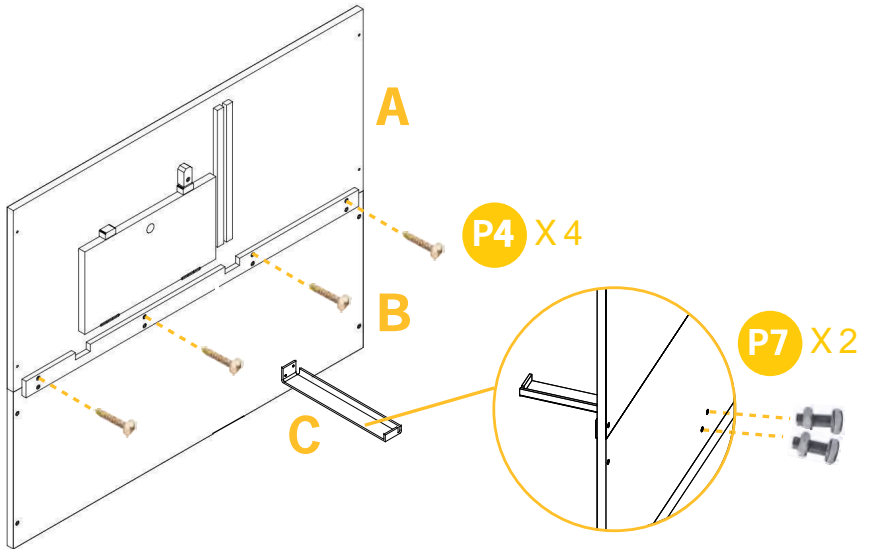


O

PRODUCT ASSEMBLY //

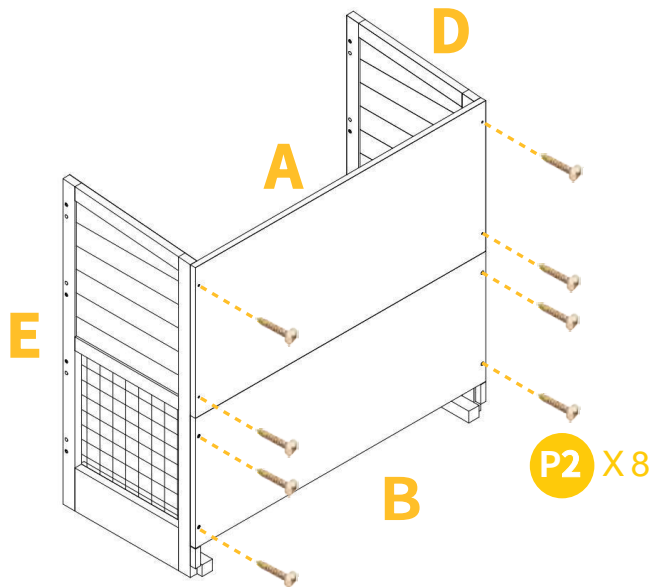
01

Attach the back panel Part A and B by 4XP4 screws.
Attach the ramp supporter Part C by 2XP7 screws.



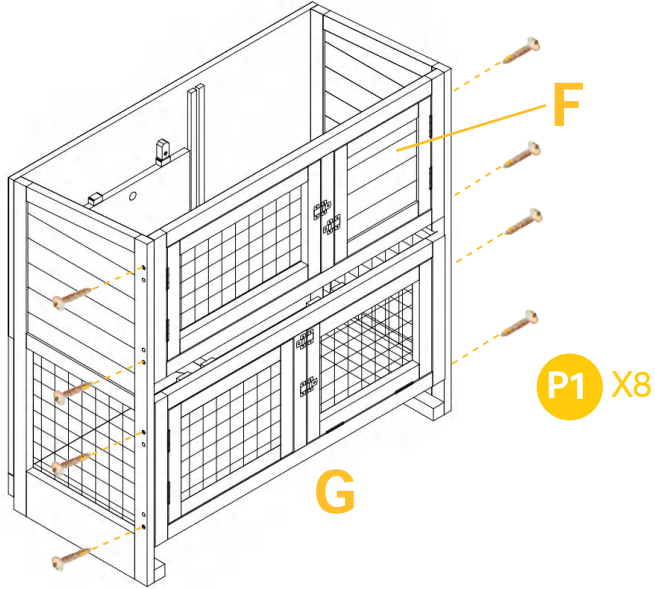
02

Attach the back panel to the side panels Part D & E by 8XP2 screws.

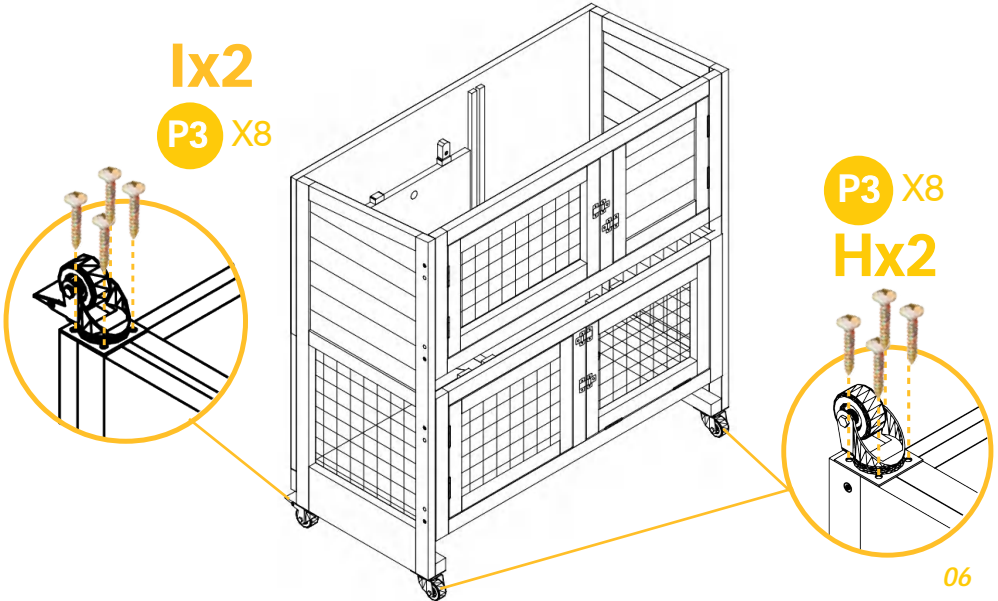


PRODUCT ASSEMBLY //

03 Attach the front panel Part F & G by 8XP1 screws.

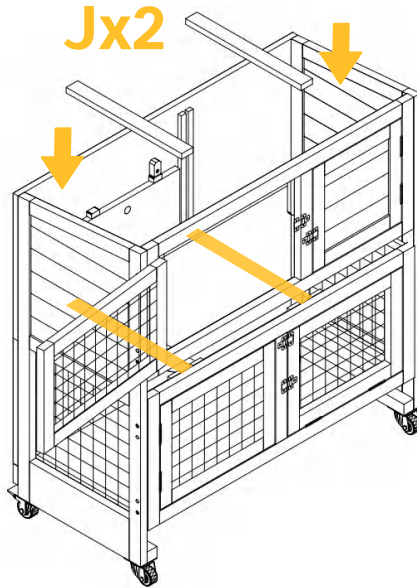


04 Attach the caster Part H & I by 4XP3 screws each.

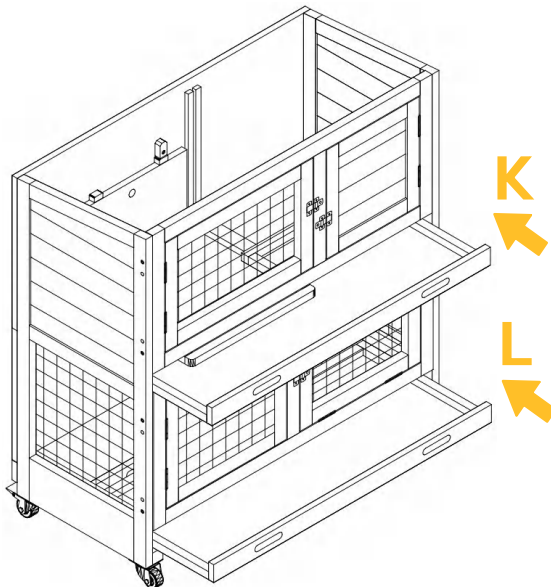


PRODUCT ASSEMBLY //

05 Put the tray supporter Part J into the slot.

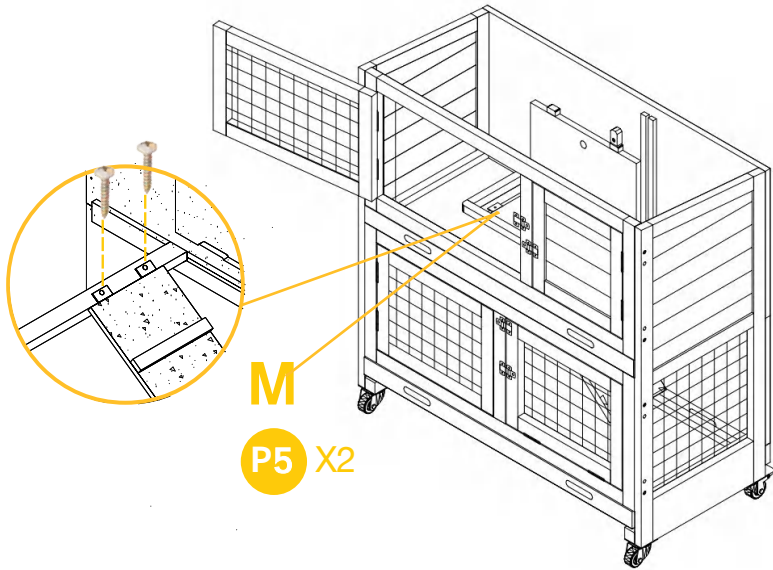


06 Slide in the tray Part K & L.

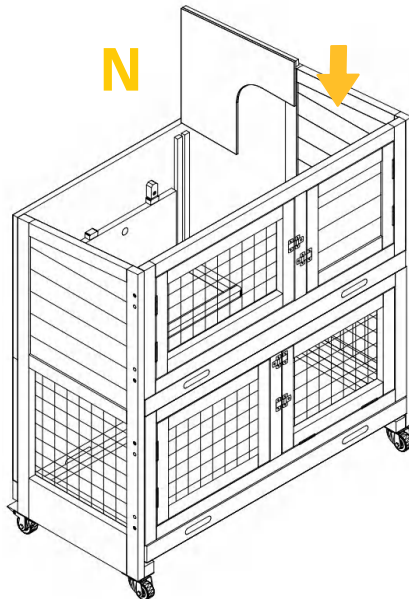


PRODUCT ASSEMBLY //

07 Attach the ramp Part M by 2XP5 screws.

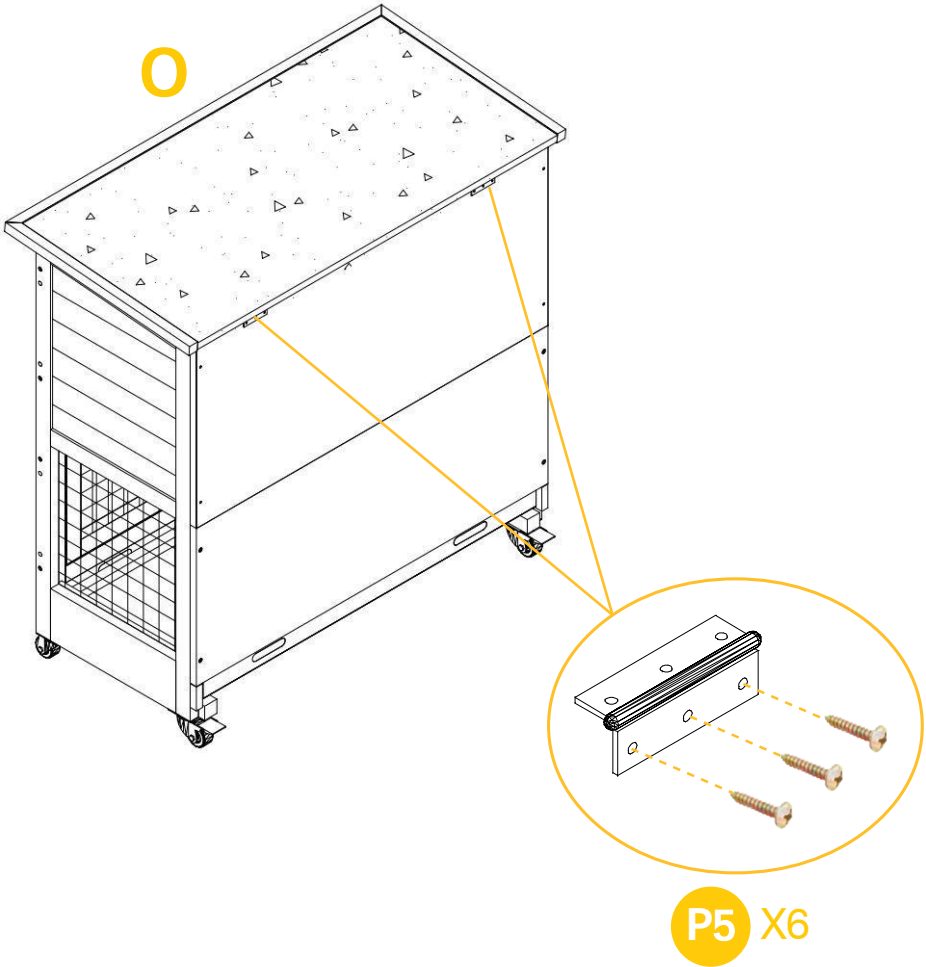


08 Put in the divider Part N.



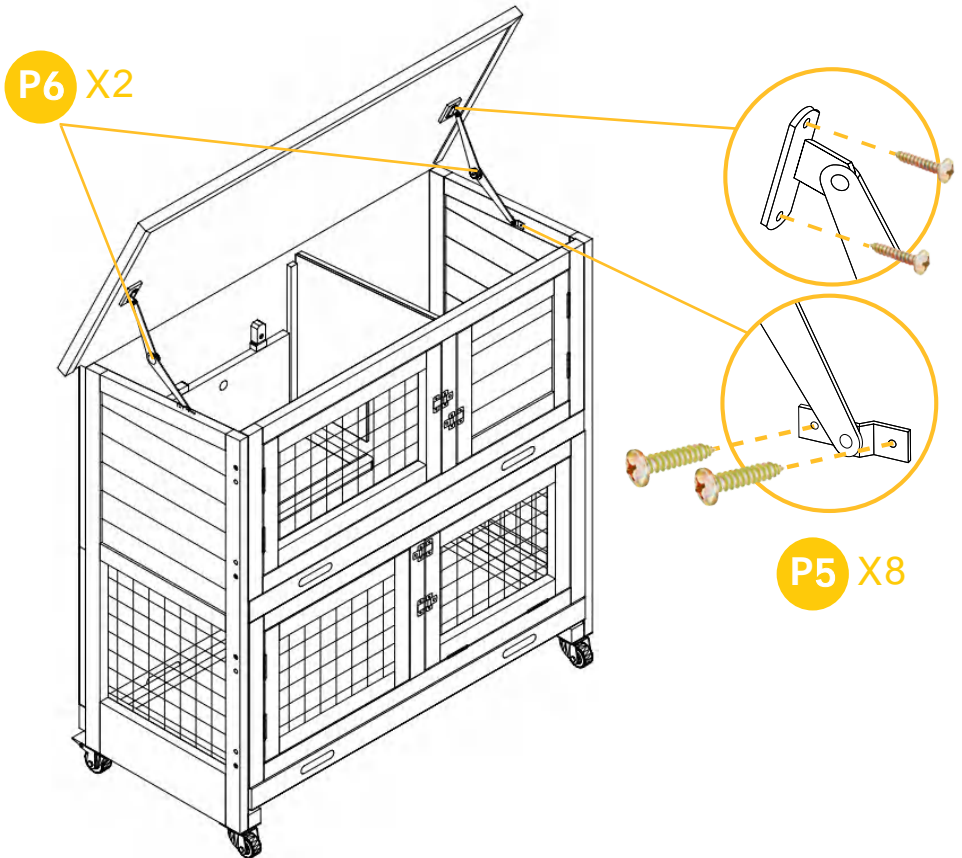
PRODUCT ASSEMBLY //

09 Attach the roof Part O by 6XP5 screws.



PRODUCT ASSEMBLY //

10 Attach the roof hinge P6 by 4XP5 screws.



Finish



WARNING

Manufacturer and seller expressly disclaim any and all liability for personal injury, property damage or loss, whether direct, indirect, or incidental, resulting from the incorrect attachment, improper use, inadequate maintenance, or neglect of this product.