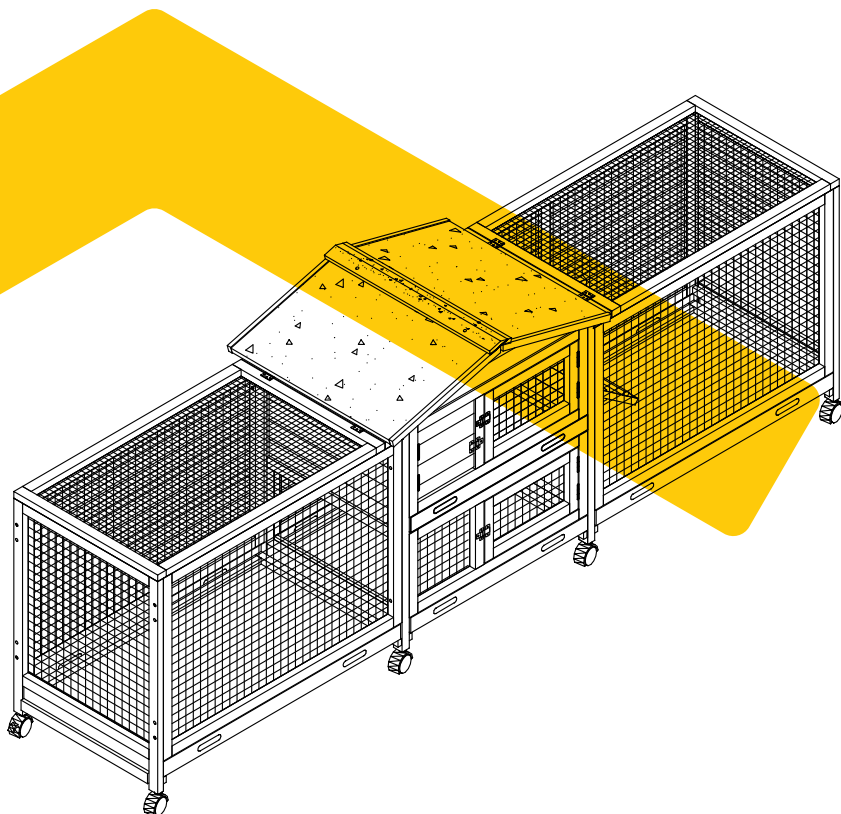


# INSTRUCTION MANUAL

AIR 65



aivotuin

[www.aivotuin.com](http://www.aivotuin.com)



## NOTICE

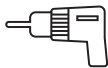
Please retain these instructions for future reference.

- Firmly secure all bolts,screws and knobs before use.
- Reconfirm that all bolts,screws,and knobs are secure every 90 days.
- Fasten screws loosely during initial assembly. Do not fully tighten screws until the item is completely assembled.
- Do not use or store this item in the proximity of open flame or flammable/combustible chemicals.
- Be aware that some parts are heavy and have sharp edges.
- Be aware that moving parts can injure,crush and cut.
- If any parts are missing,broken,damaged,or worn,stop using this product until repairs are made and/or factory replacement parts are installed.
- Do not use this item in a way inconsistent with the manufacturer's instructions as this could void the product warranty.

## TOOLS REQUIRED //



PHILLIPS  
SCREWDRIVER



DRILL  
(RECOMMENDED)



2PERSON  
ASSEMBLY



APPROXIMATELY  
45MIN. ASSEMBLY

## HARDWARE //

M3.5x60mm SCREW  
10PCS+1spare



P1

M3.5x45mm SCREW  
24PCS+1spare



P2

M3.5x35mm SCREW  
8PCS+1spare



P3

M3.5x25mm SCREW  
4PCS+1spare



P4

M3.0x16mm SCREW  
12PCS+1spare



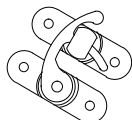
P5

M3.5x40mm SCREW  
8PCS+1spare



P6

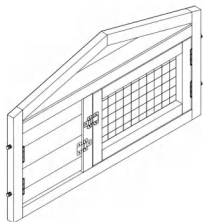
Lock  
2PCS



P7

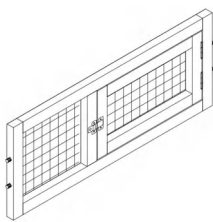
# PARTS

Front Panel- Upper  
1PC



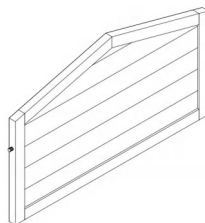
**A**

Front Panel- Down  
1PC



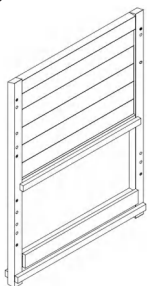
**B**

Back Panel  
1PC



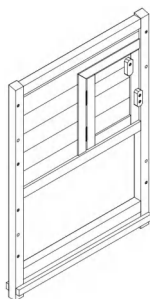
**C**

Left Side Panel  
1PC



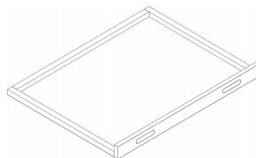
**D**

Right Side Panel  
1PC



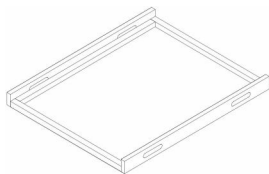
**E**

Tray-Upper  
1PC



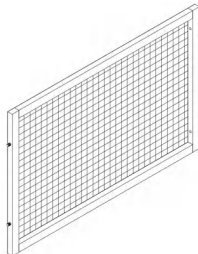
**F**

Tray-Down  
1PC



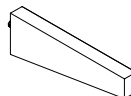
**G**

Wire Pen  
3PCS



**H**

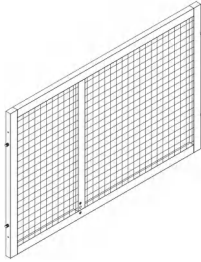
Ramp Support  
1PC



**I**

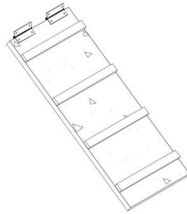
# PARTS //

Wire Pen-Right Back  
1PC



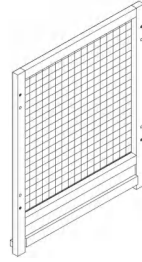
**J**

Ramp  
1PC



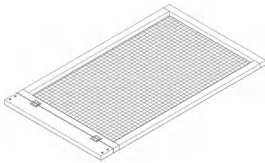
**K**

Side Wire Pen  
2PCS



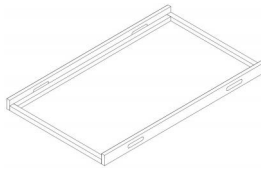
**L**

Roof of Pen  
2PCS



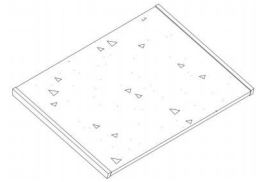
**M**

Tray of Pen  
2PCS



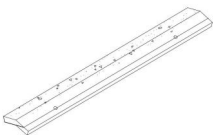
**N**

Roof of Hutch  
2PCS



**O**

Roof Cap  
1PC



**P**

Back casters with brakes  
4PCS



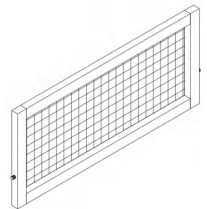
**Q**

Front casters without  
brakes  
4PCS



**R**

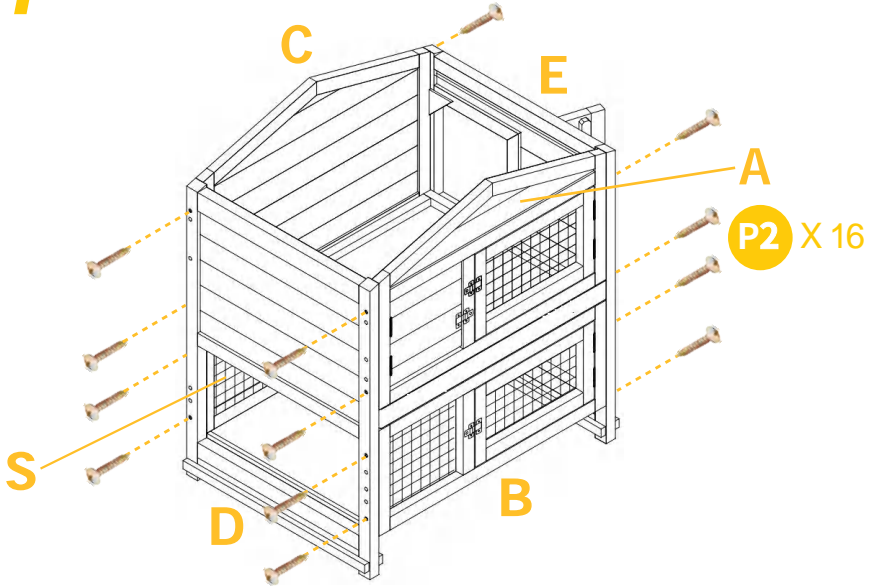
Back Panel-Down  
1PC



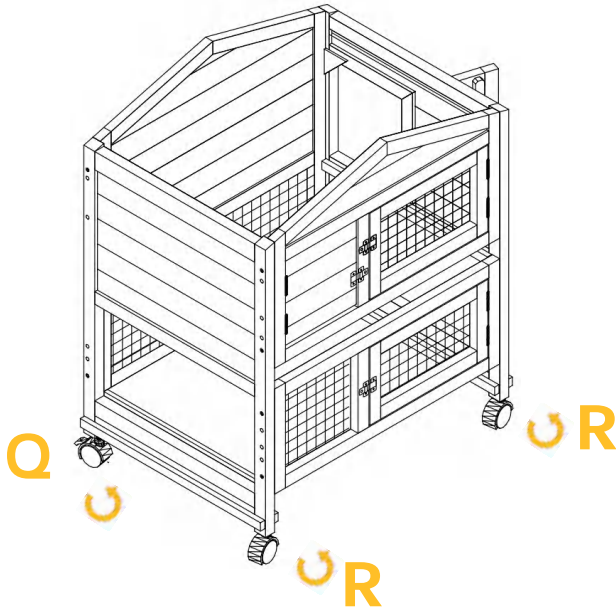
**S**

# PRODUCT ASSEMBLY //

**01** Attach the panel part A,B,C,D,E,S by 16XP2 screws.



**02** Attach the casters without brakes 2Xpart R in front and the casters with brakes 2Xpart Q in back.

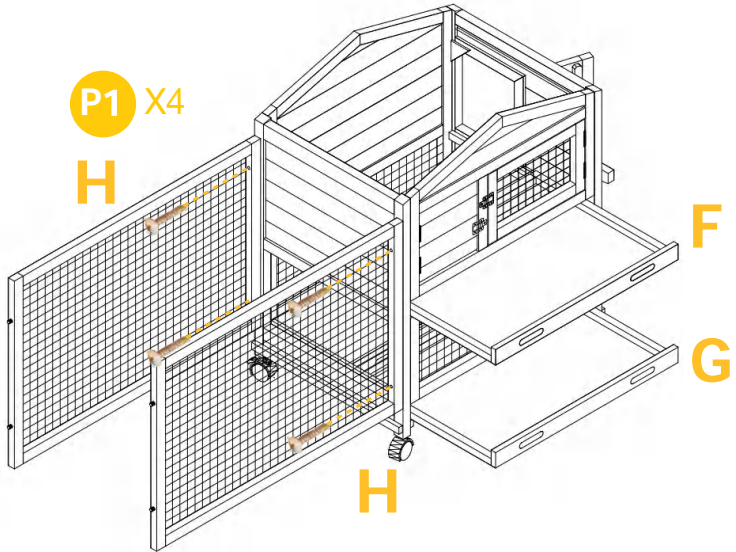


## PRODUCT ASSEMBLY

03

Slide in the tray part F & G.

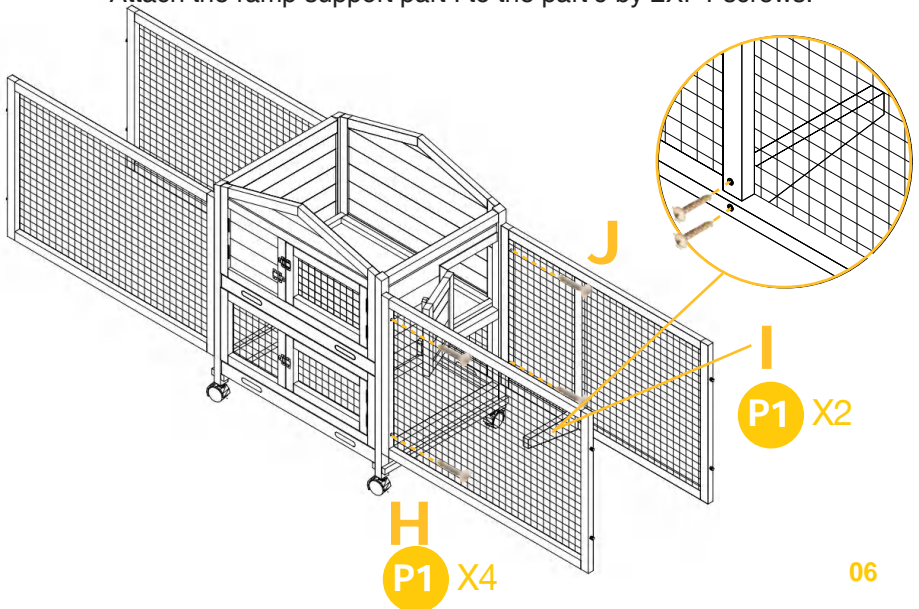
Attach the wire pen part H to the left side of hutch by 4XP1 screws.



04

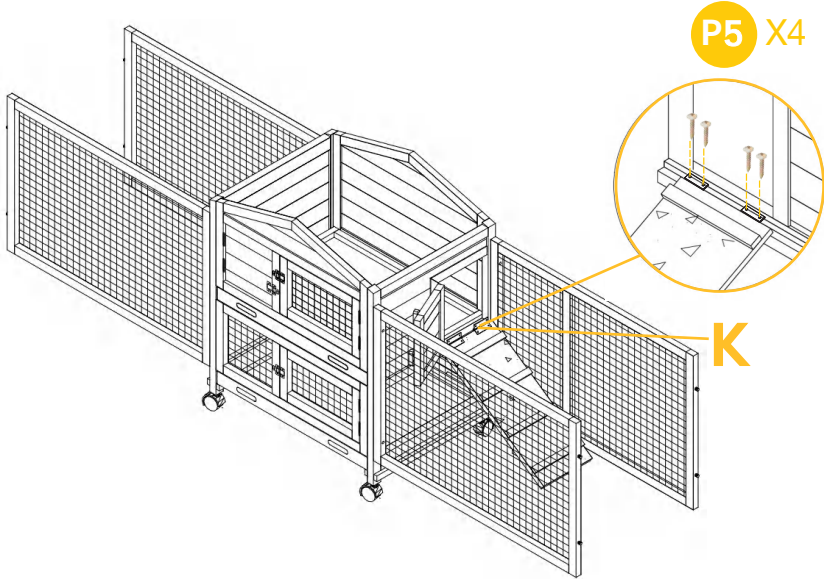
Attach the wire pen part H & J to the right side of hutch by 4XP1 screws. (Please pay attention the position of part J)

Attach the ramp support part I to the part J by 2XP1 screws.

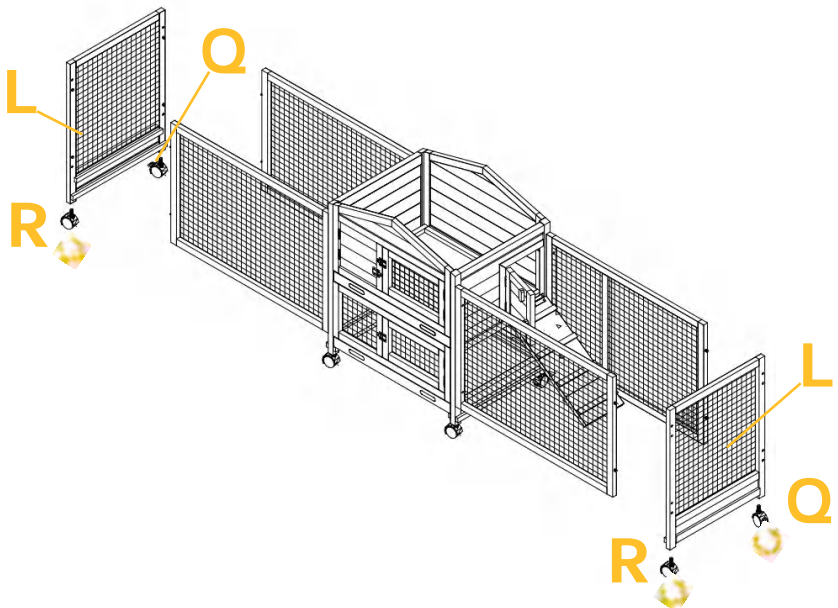


## PRODUCT ASSEMBLY //

**05** Screw the ramp part K to the right side panel by 4XP5 screws.



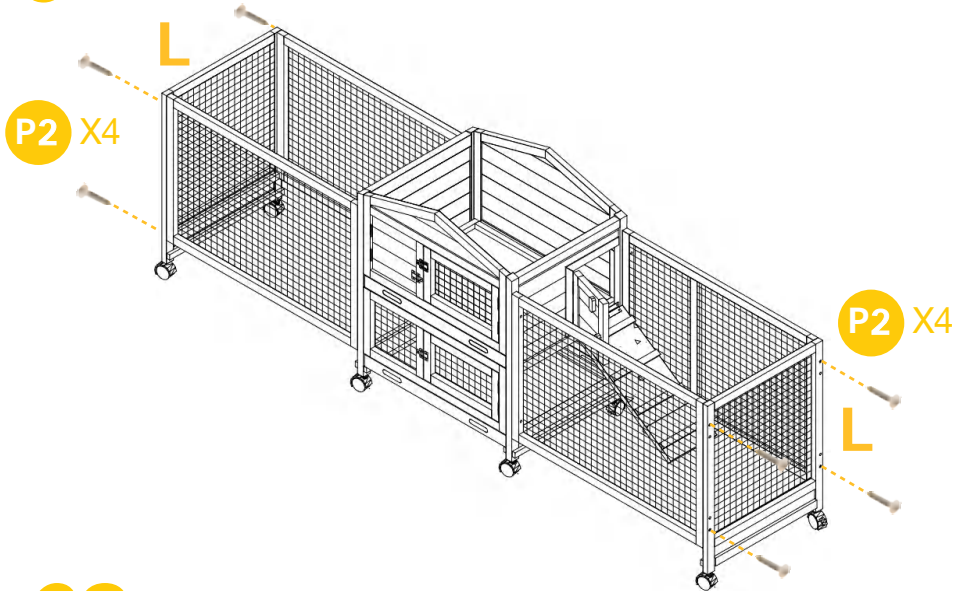
**06** Attach the 2Xpart R to the front of part L.  
Attach the 2Xpart Q to the back of part L.



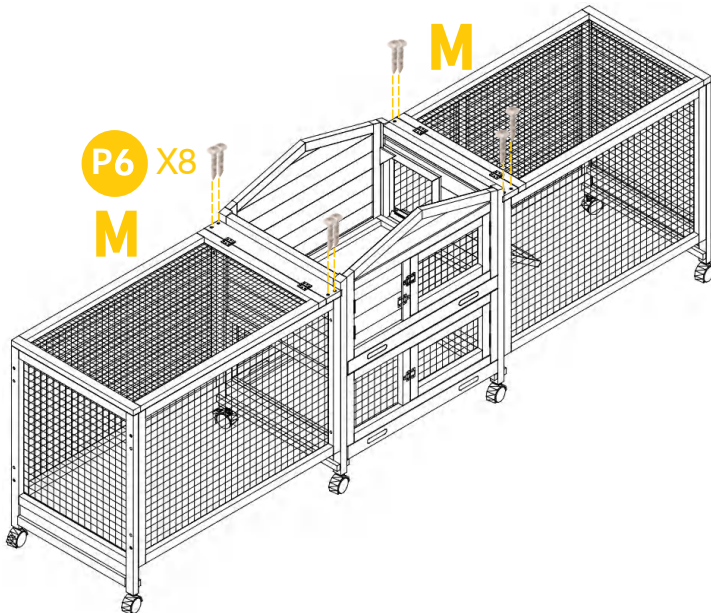


## PRODUCT ASSEMBLY //

**07** Attach the side wire pen part L by 4XP2 screws each side.

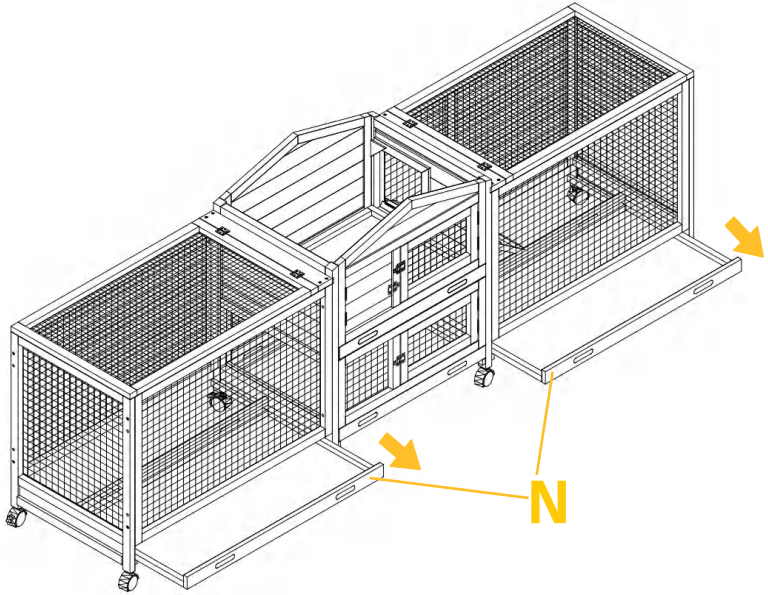


**08** Attach the roof of pen part M by 4XP6 screws each side.

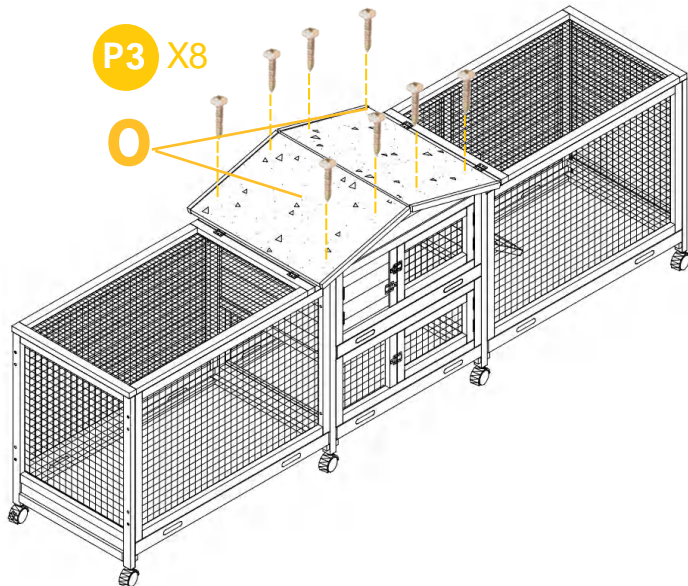


## PRODUCT ASSEMBLY //

**09** Slide in the tray part N.



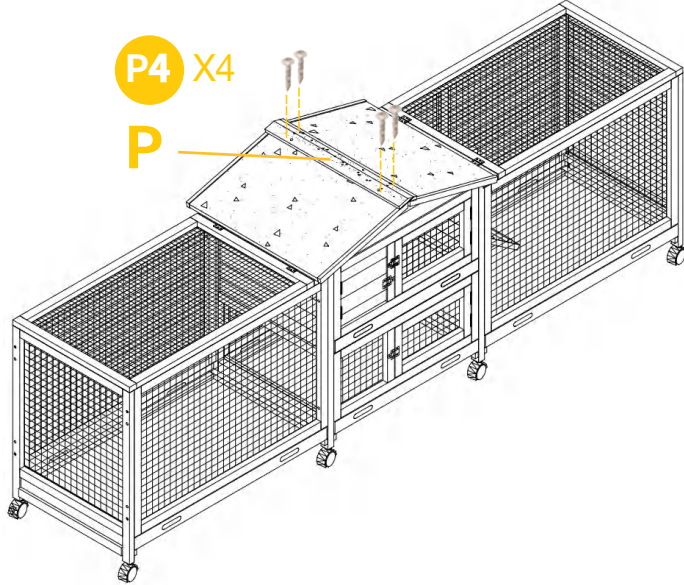
**10** Attach the roof of hutch part O by 8XP3 screws.



# PRODUCT ASSEMBLY //

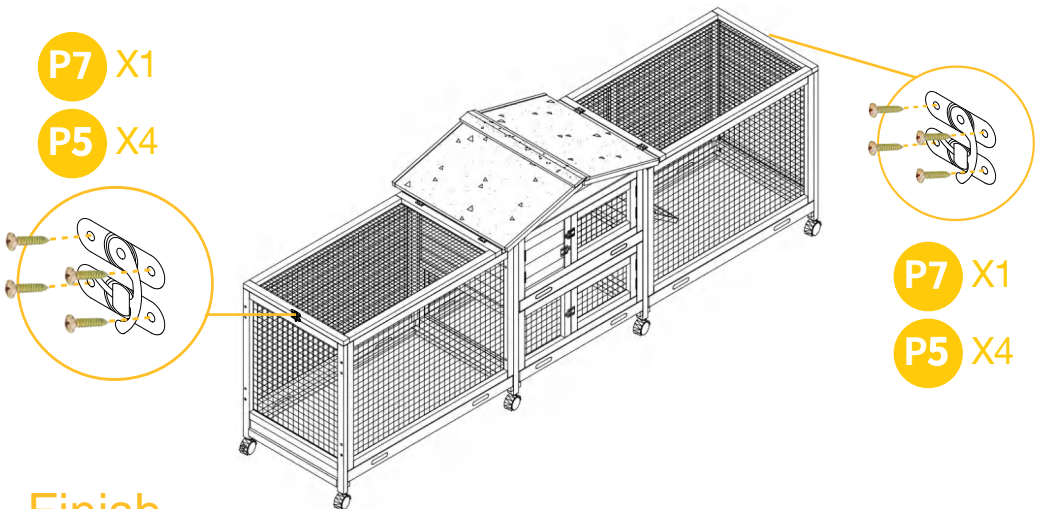
## 11

Attach the roof cap part P by 4XP4 screws.



## 12

Attach top panel of pen and side panel with 1XP7 by 4XP5 each side.



Finish



**WARNING**

Manufacturer and seller expressly disclaim any and all liability for personal injury, property damage or loss, whether direct, indirect, or incidental, resulting from the incorrect attachment, improper use, inadequate maintenance, or neglect of this product.