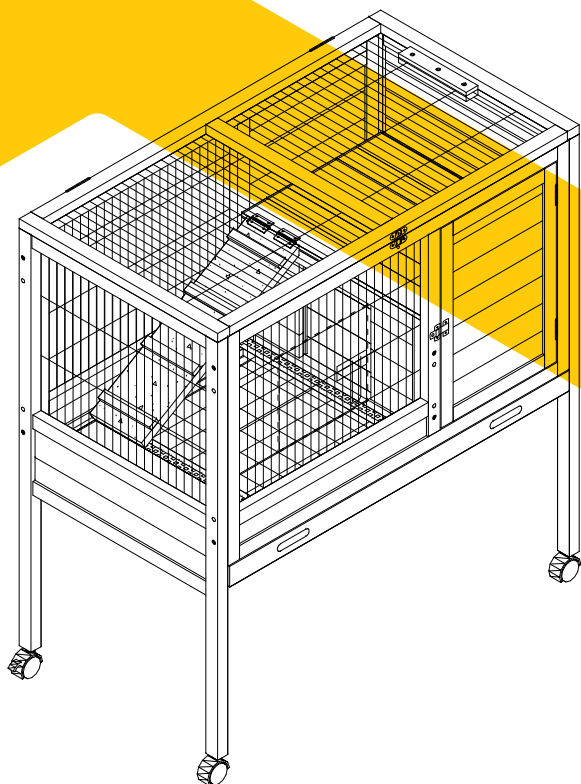


# INSTRUCTION MANUAL

AIR 53



The logo for aivituvin, featuring a stylized house icon above the brand name.

[www.aivituvin.com](http://www.aivituvin.com)



## NOTICE

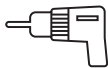
Please retain these instructions for future reference.

- Firmly secure all bolts,screws and knobs before use.
- Reconfirm that all bolts,screws,and knobs are secure every 90 days.
- Fasten screws loosely during initial assembly. Do not fully tighten screws until the item is completely assembled.
- Do not use or store this item in the proximity of open flame or flammable/combustible chemicals.
- Be aware that some parts are heavy and have sharp edges.
- Be aware that moving parts can injure,crush and cut.
- If any parts are missing,broken,damaged,or worn,stop using this product until repairs are made and/or factory replacement parts are installed.
- Do not use this item in a way inconsistent with the manufacturer's instructions as this could void the product warranty.

## TOOLS REQUIRED //



PHILLIPS  
SCREWDRIVER



DRILL  
(RECOMMENDED)



2PERSON  
ASSEMBLY



APPROXIMATELY  
30MIN. ASSEMBLY

## HARDWARE //

M3.5x45mm SCREW  
12PCS+1 spare



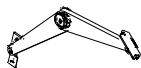
P1

M3.0x16mm SCREW  
18PCS+1 spare



P2

Roof hinge  
1PC



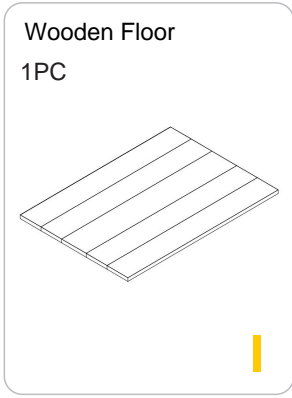
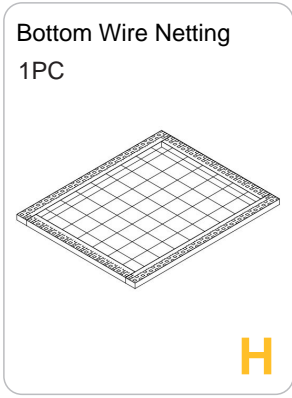
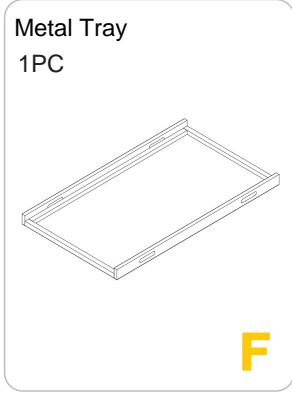
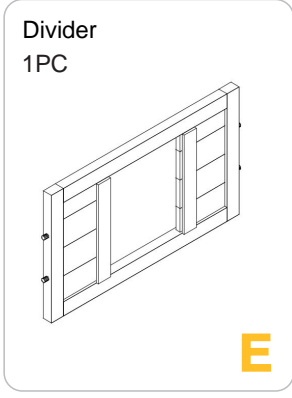
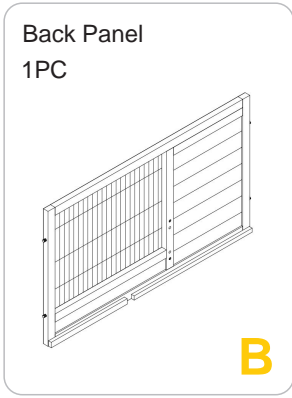
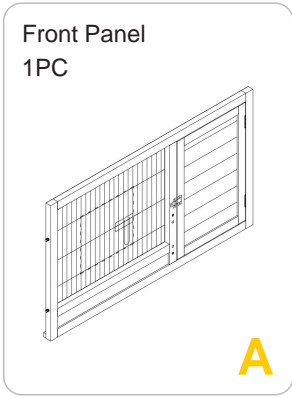
P3

Latch  
1PC



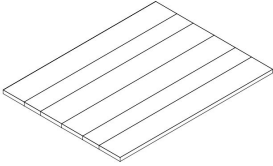
P4

# PARTS



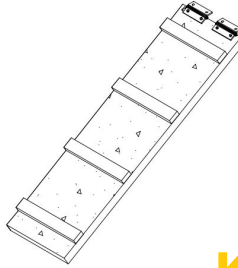
# PARTS //

Layer  
1PC



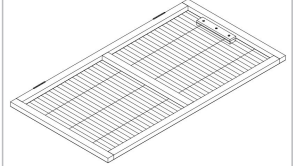
**J**

Ramp  
1PC



**K**

Roof  
1PC



**L**

Brake casters  
2PCS



**M**

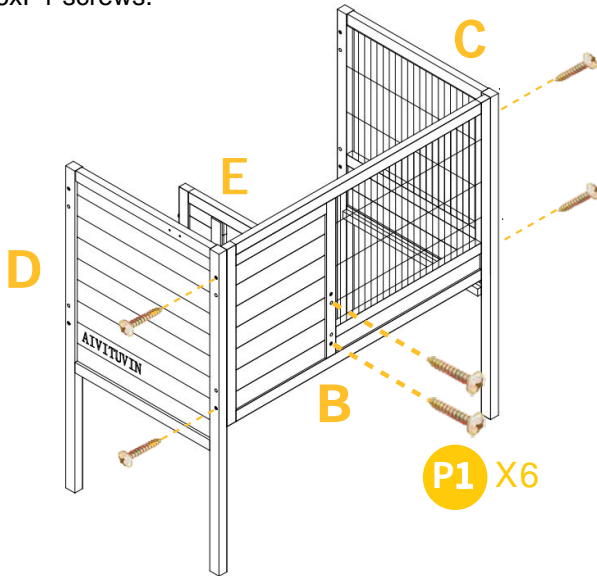
Normal casters  
2PCS



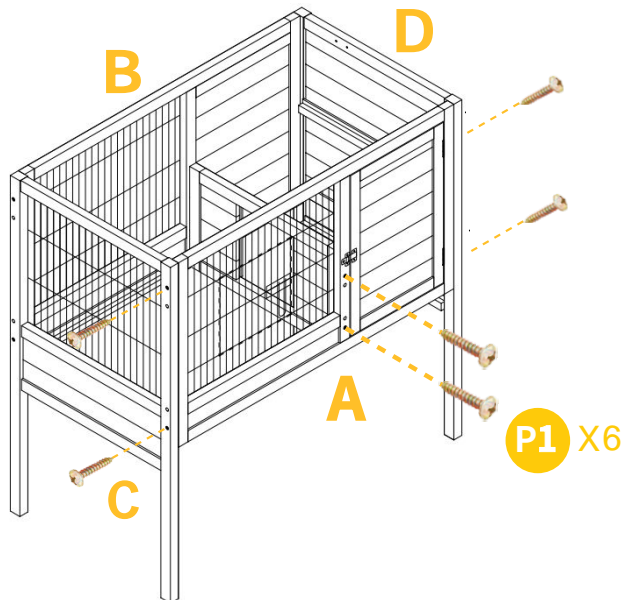
**N**

# PRODUCT ASSEMBLY //

**01** Attach side panel Part C & D and divider Part E to back panel Part B by 6xP1 screws.

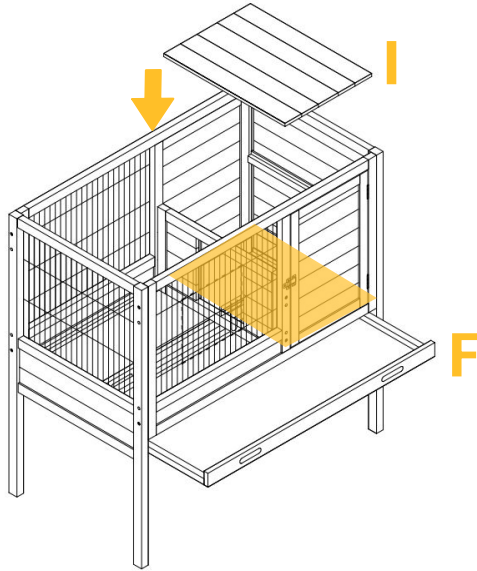


**02** Attach front panel Part A by 6xP1 screws.

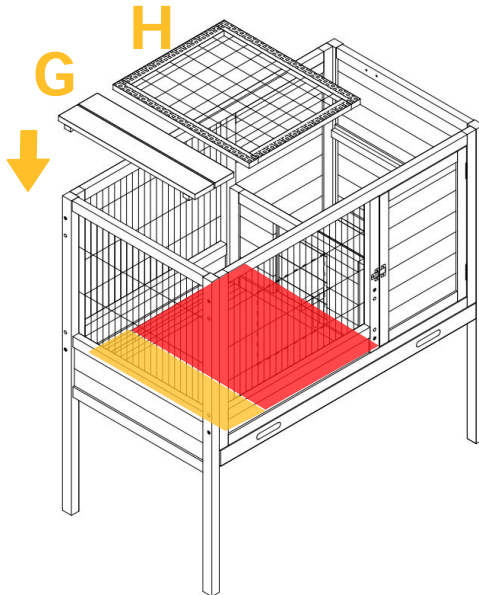


## PRODUCT ASSEMBLY //

- 03** Put in the wooden floor Part I as show on the picture.  
Slide in the tray Part F.

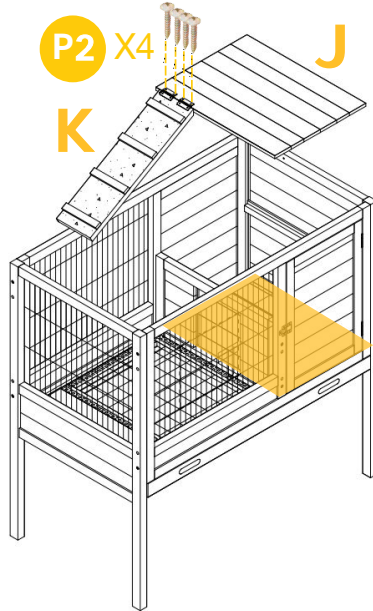


- 04** Put in wooden board Part G & bottom wire netting Part H.

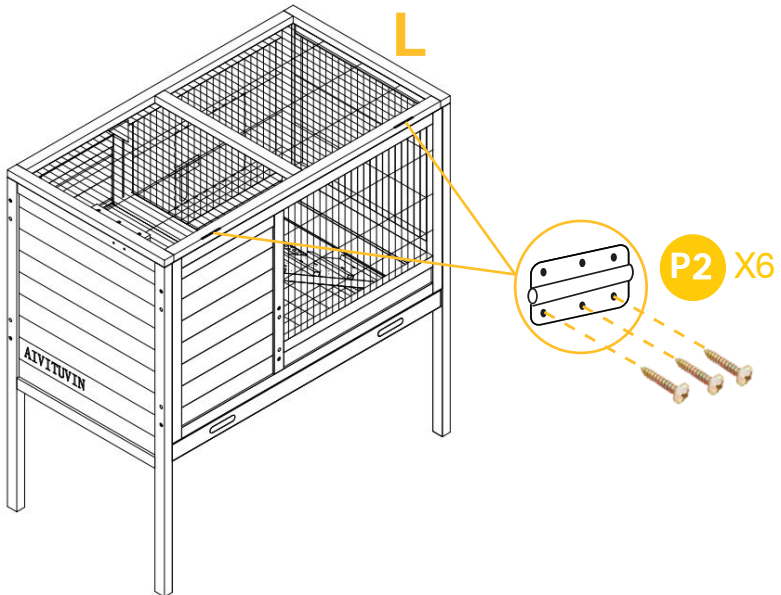


## PRODUCT ASSEMBLY //

**05** Screw ramp Part K to layer Part J by 4XP2. Then put it in the house.



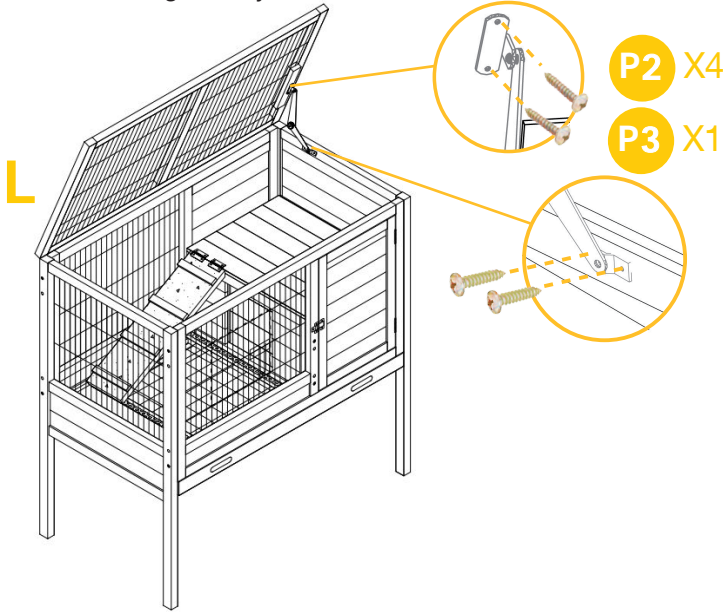
**06** Attach roof Part L by 6XP2 screws.



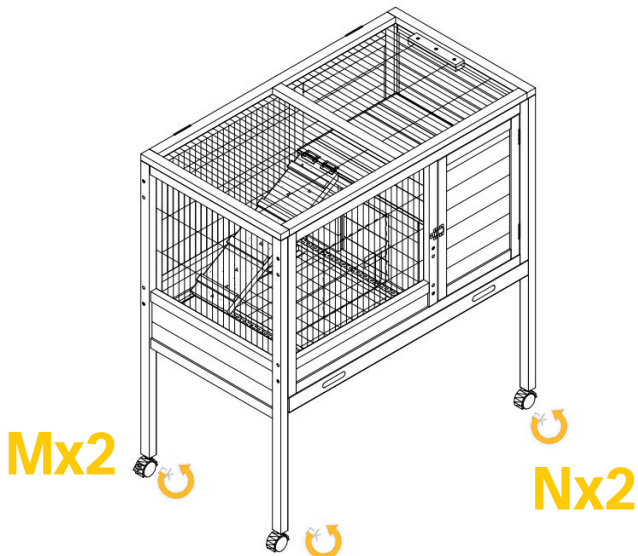


# PRODUCT ASSEMBLY //

**07** Attach roof hinge P3 by 4XP2 screws.

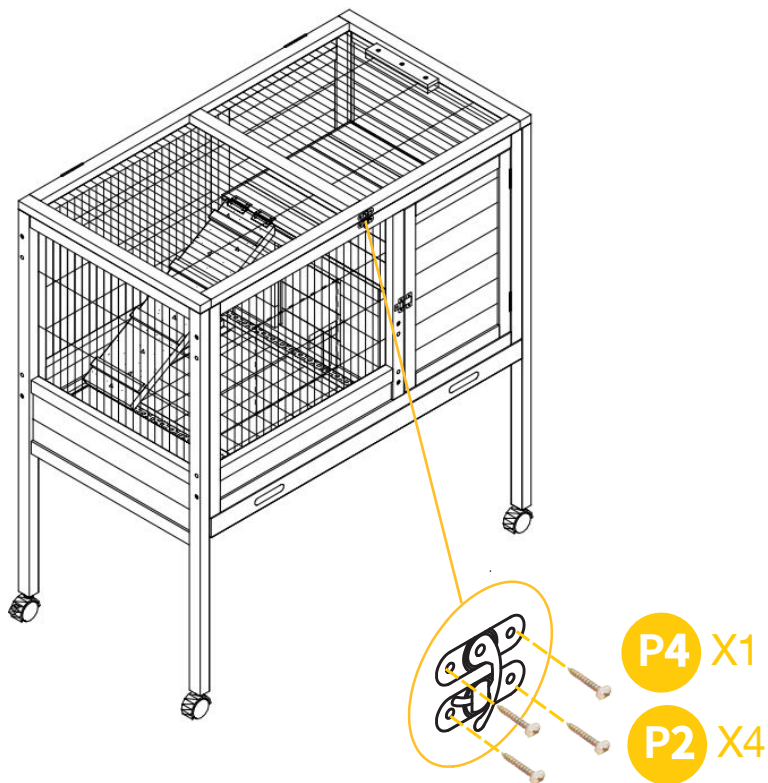


**08** Attach casters Part M & N to the legs.



## PRODUCT ASSEMBLY //

**09** Attach lock P4 by 4XP2 screws.







**WARNING**

Manufacturer and seller expressly disclaim any and all liability for personal injury, property damage or loss, whether direct, indirect, or incidental, resulting from the incorrect attachment, improper use, inadequate maintenance, or neglect of this product.