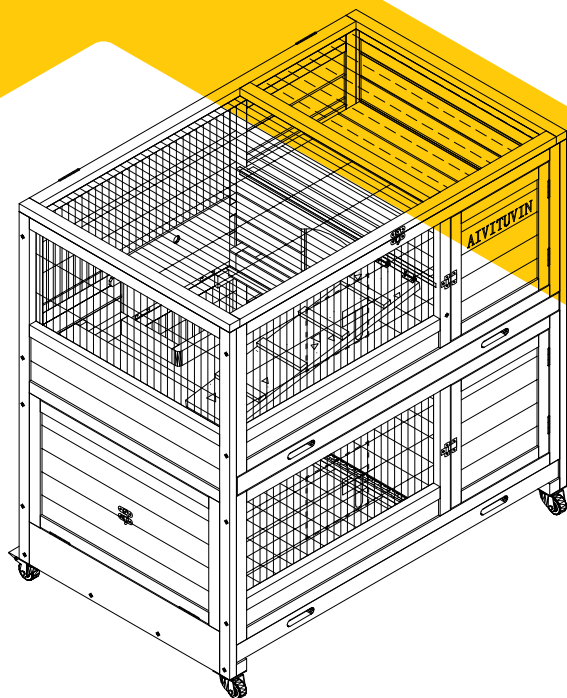


# INSTRUCTION MANUAL

AIR 18

AIR 34

AIR 800



**aivituvin**

[www.aivituvin.com](http://www.aivituvin.com)





## NOTICE

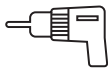
Please retain these instructions for future reference.

- Firmly secure all bolts,screws and knobs before use.
- Reconfirm that all bolts,screws,and knobs are secure every 90 days.
- Fasten screws loosely during initial assembly. Do not fully tighten screws until the item is completely assembled.
- Do not use or store this item in the proximity of open flame or flammable/combustible chemicals.
- Be aware that some parts are heavy and have sharp edges.
- Be aware that moving parts can injure,crush and cut.
- If any parts are missing,broken,damaged,or worn,stop using this product until repairs are made and/or factory replacement parts are installed.
- Do not use this item in a way inconsistent with the manufacturer' s instructions as this could void the product warranty.

## TOOLS REQUIRED //



PHILLIPS  
SCREWDRIVER



DRILL  
(RECOMMENDED)



2PERSON  
ASSEMBLY



APPROXIMATELY  
45MIN. ASSEMBLY

## HARDWARE //

M3.5x40mm SCREW  
18PCS+1 spare



P1

M3.5x25mm SCREW  
16PCS+1 spare



P2

M3.0x16mm SCREW  
22PCS+1 spare



P3

M3.0x10mm SCREW  
2PCS+1 spare



P4

1 PC



P5

Latch  
2PCS



P6

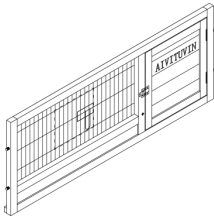
Chewing Toy for gift  
1 PC



P7

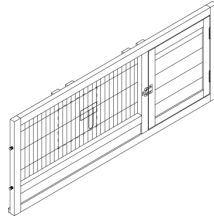
# PARTS

Front Panel - Upper  
1PC



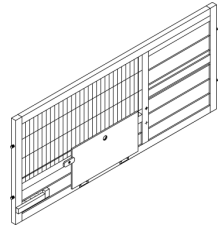
**A**

Front Panel - Down  
1PC



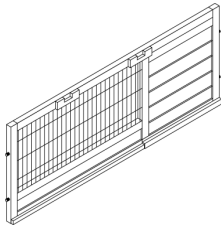
**B**

Back Panel - Upper  
1PC



**C**

Back Panel - Down  
1PC



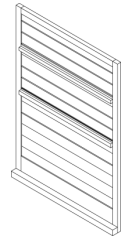
**D**

Left Panel  
1PC



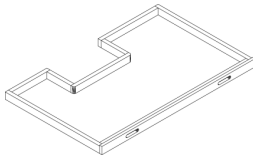
**E**

Right Panel  
1PC



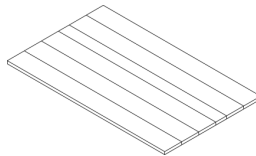
**F**

The Middle Tray  
1PC



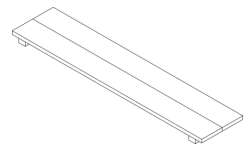
**G**

Wood Layer - Up & Down  
2PCS



**H**

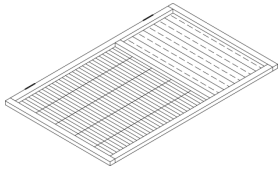
Ramp Supporting Layer  
1PC



**I**

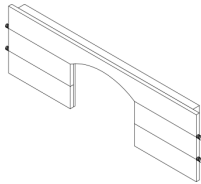
# PARTS //

Top Cover Panel  
1PC



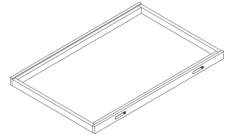
**J**

Divider  
1PC



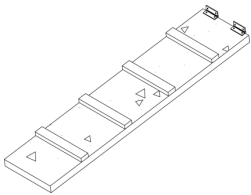
**K**

The Bottom Tray  
1PC



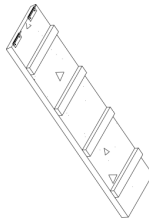
**L**

Ramp - Upper  
1PC



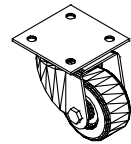
**M**

Ramp - Down  
1 PC



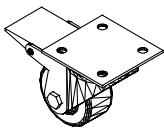
**N**

Casters without brake  
2PCS



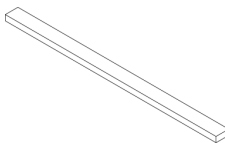
**O**

Brake Casters  
2PCS



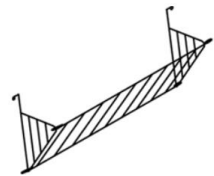
**P**

Tray Supporting bar  
2PCS



**Q**

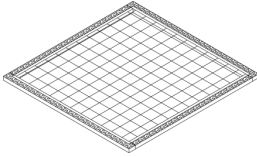
Folding Metal feeder  
1PC



**R**

# PARTS //

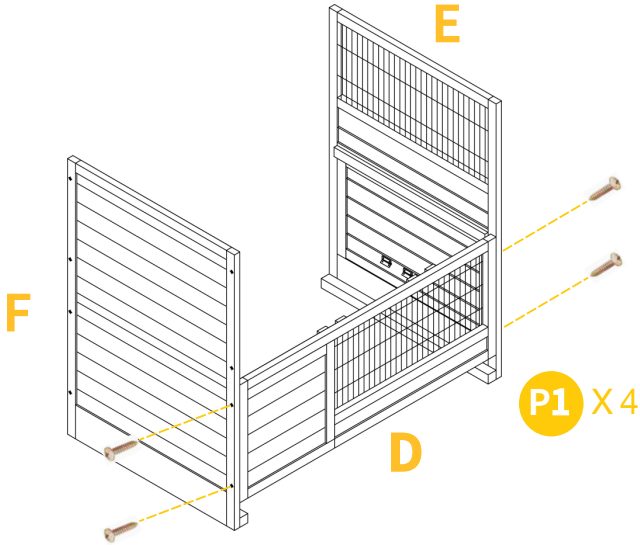
Bottom Wire Netting  
1PC



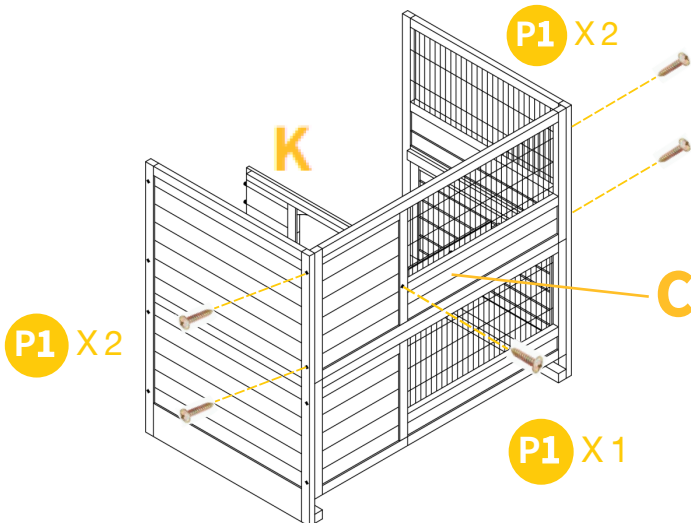
S

# PRODUCT ASSEMBLY //

- 01** Attach the back first, screw back panel Part D with right panel Part F, left panel Part E by 2xP1 screws each side.



- 02** Attach Part C by 2XP1 screws each side. Then screw the divider Part K to Part C by 1xP1 screw.

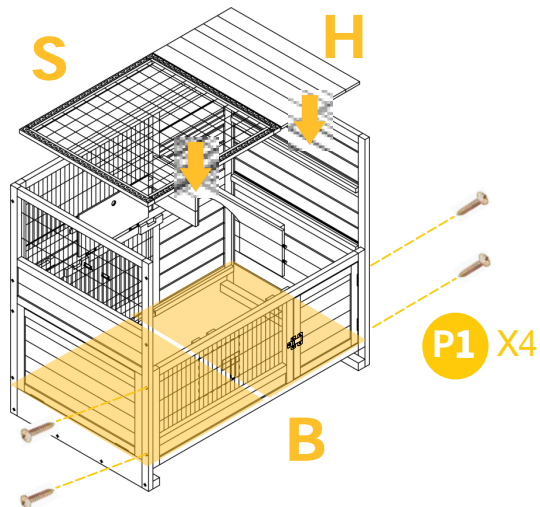




## PRODUCT ASSEMBLY //

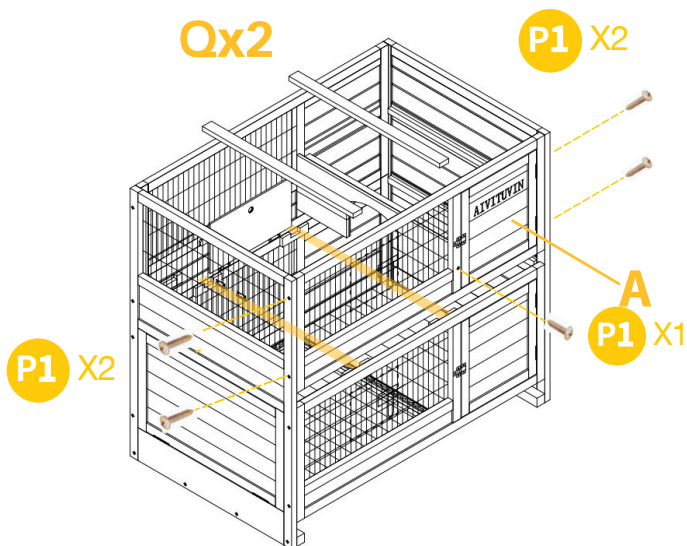
### 03

Attach the front panel Part B to the sides by 4xP1 screws.  
Put inside the bottom wire netting Part S to be UPWARDS  
to separate the urine & poop.  
Put Part H inside the cage as show on picture.



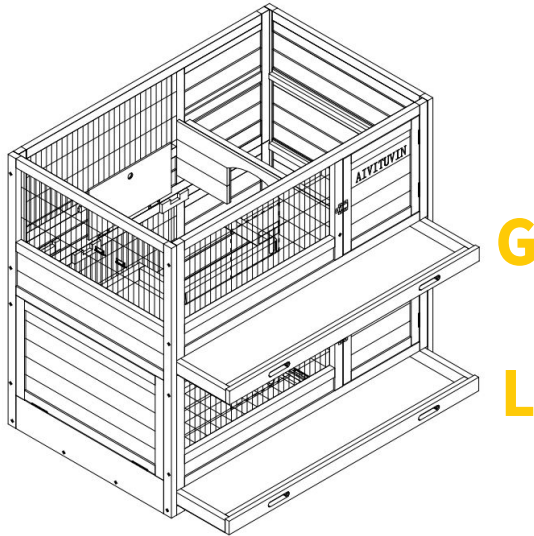
### 04

Put the tray supporting bars 2 part Q into the side groove.  
Attach the front panel Part A by 4xP1 screws.  
Then screw the other side of divider part K to the front by 1XP1 screw.

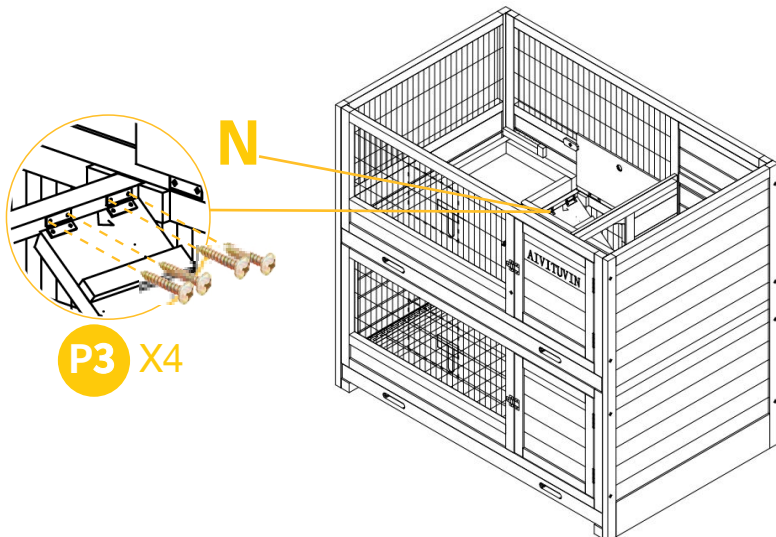


## PRODUCT ASSEMBLY //

**05** Slide in the middle tray Part G and the bottom tray Part L.

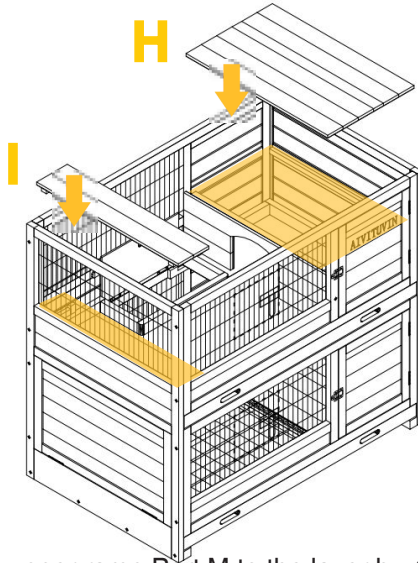


**06** Screw the down ramp Part N to the tray supporting bar Part Q as show on picture by 4xP3 screws.

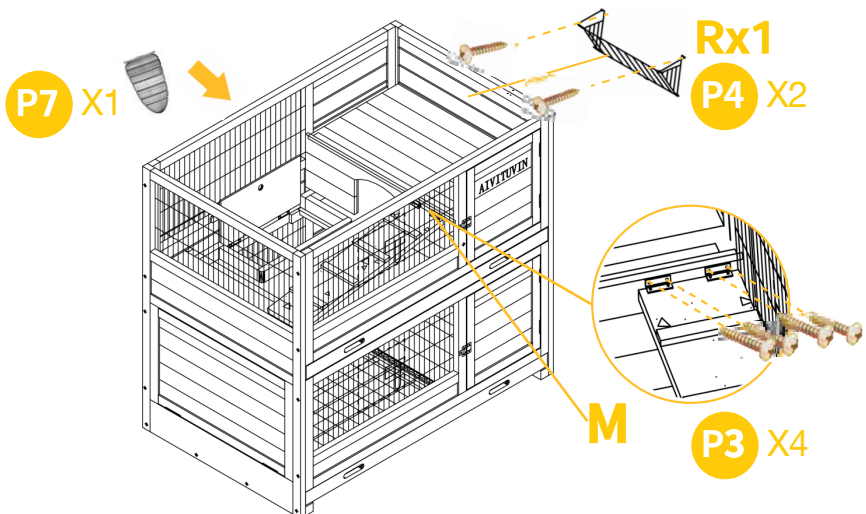


## PRODUCT ASSEMBLY //

- 07** Put the ramp supporting layer Part I and another wood layer Part H inside the cage as show on picture.

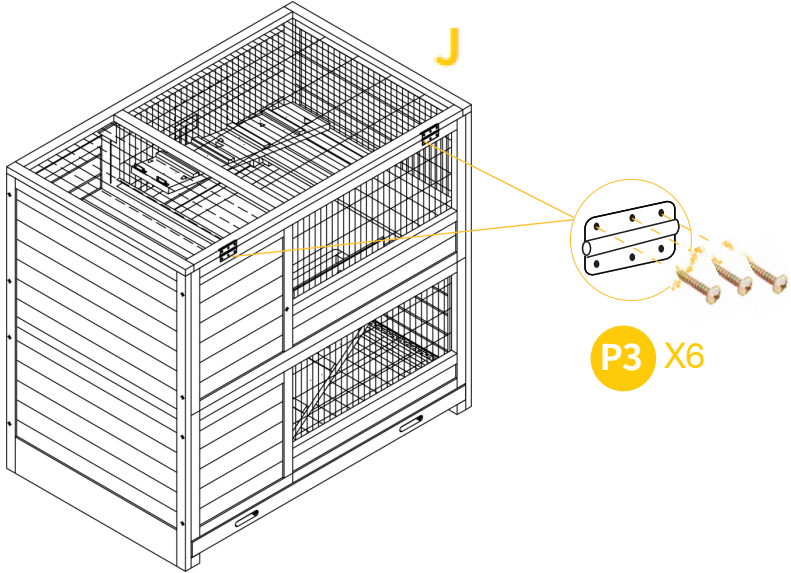


- 08** Screw the upper ramp Part M to the layer by 4xP3 screws. Screw the metal feeder Part R to the right panel Part F by 2xP4 screws. Put the chewing toy P7 inside the cage anywhere you want.

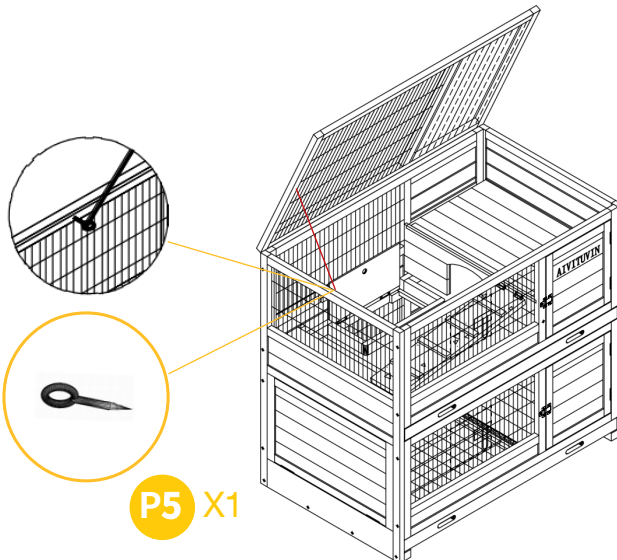


## PRODUCT ASSEMBLY //

**09** Attach top cover panel Part J to the hutch by 6xP3 screws.



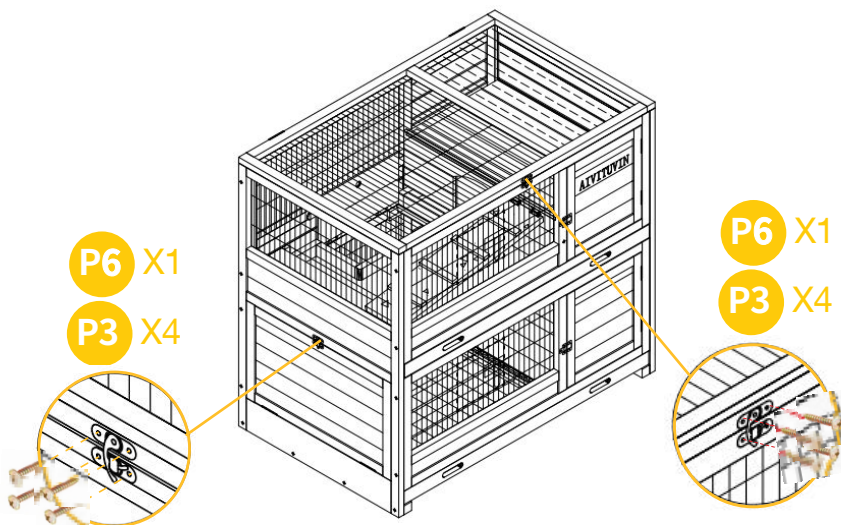
**10** Screw the hook P5 to the Part E, tie the rope on one side of roof and the other side of hook to make the roof open.



## PRODUCT ASSEMBLY //

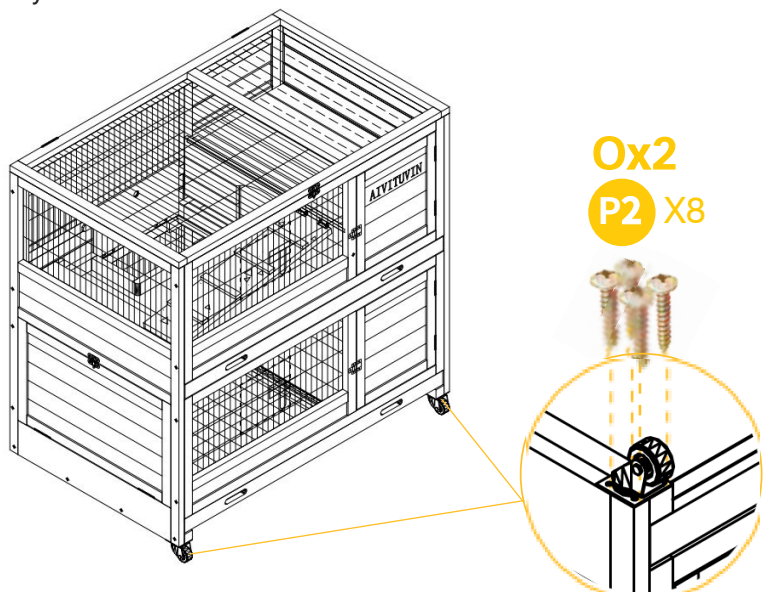
# 11

Screw 1pc of latch P6 to the left panel Part E by 4xP3 screws.  
Screw 1pc of latch P6 to connect the top cover and front panel by 4XP3 screws.



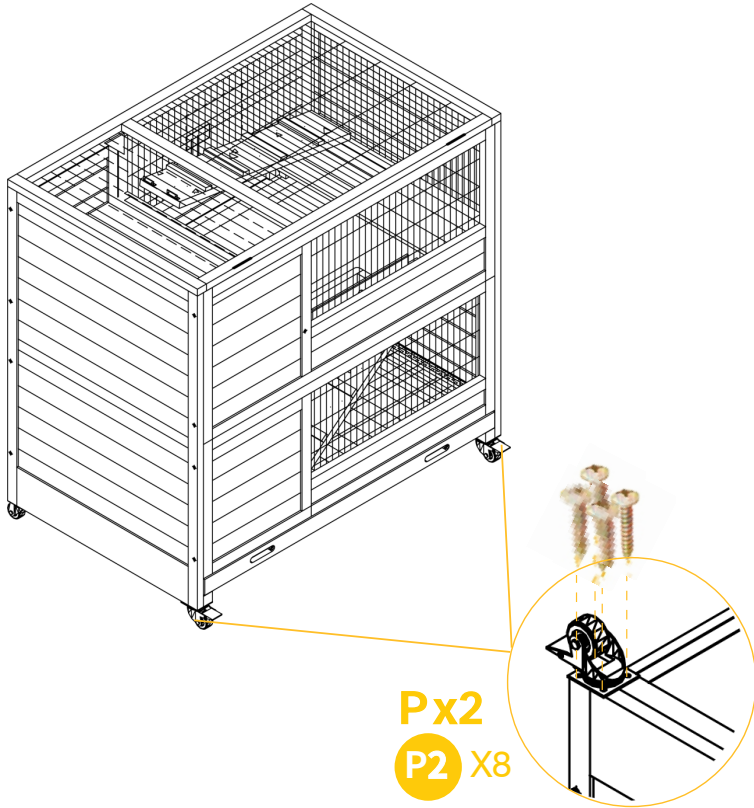
# 12

Screw two casters without brake Part O to the front of hutch legs by P2x4 each.



## PRODUCT ASSEMBLY //

- 13** Screw two brake casters Part P to the back of hutch legs by P2x4 each.



## HELP CENTER //

Question about your product? we're here to help contact us via



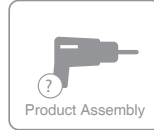
[service@aivituvn.com](mailto:service@aivituvn.com)



Product inquiry



Orders FAQ



Product Assembly



Returns & Refunds

## THANK YOU //

Thanks for your support to Aivituvn.

Your satisfaction is our #1 priority.

Once the items are received, opened, and deemed to be faulty or other problems.

Pls contact us at [service@aivituvn.com](mailto:service@aivituvn.com) for the solution.

We will feedback to you within 24 hours.

If you are happy with the shopping ,welcome to share photos and thoughts with others .



**WARNING**

Manufacturer and seller expressly disclaim any and all liability for personal injury, property damage or loss, whether direct, indirect, or incidental, resulting from the incorrect attachment, improper use, inadequate maintenance, or neglect of this product.