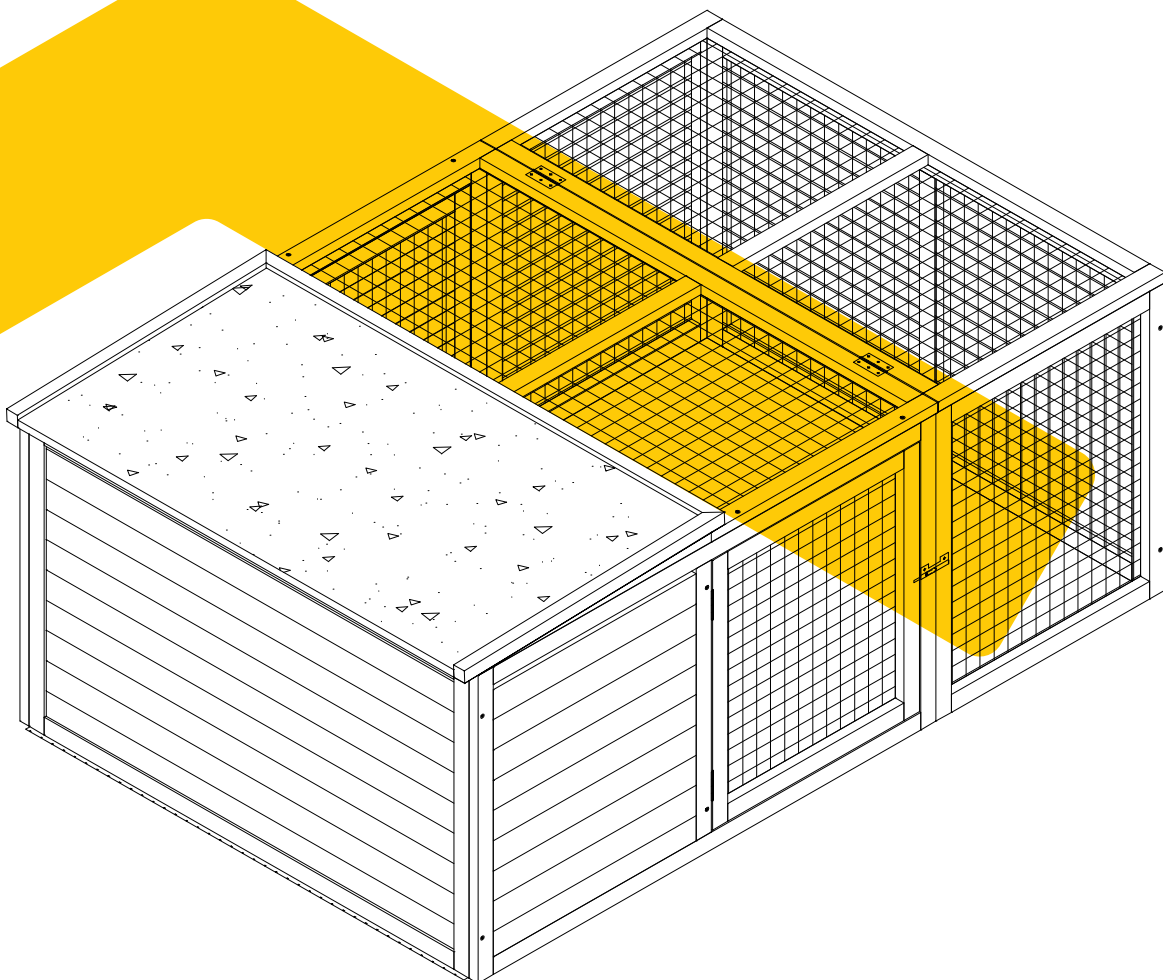


INSTRUCTION MANUAL

AIR 28





NOTICE

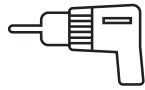
Please retain these instructions for future

- Firmly secure all bolts, screws and knobs before use.
- Reconfirm that all bolts, screws, and knobs are secure every 90 days.
- Fasten screws loosely during initial assembly. Do not fully tighten screws until the item is completely assembled.
- Do not use or store this item in the proximity of open flame or flammable/combustible chemicals.
- Be aware that some parts are heavy and have sharp edges.
- Be aware that moving parts can injure, crush and cut.
- If any parts are missing, broken, damaged, or worn, stop using this product until repairs are made and/or factory replacement parts are installed.
- Do not use this item in a way inconsistent with the manufacturer's instructions as this could void the product warranty.

TOOLS REQUIRED



PHILLIPS
SCREWDRIVER



DRILL
(RECOMMENDED)



2PERSON
ASSEMBLY



APPROXIMATELY
60MIN. ASSEMBLY

HARDWARE

M3.5x60 mm SCREW
4PCS+1 spare



P1

M3.5x40 mm SCREW
16PCS+1 spare



P2

M3.0x16 mm SCREW
21PCS+1 spare



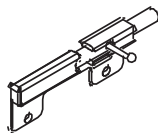
P3

Latch
1PC



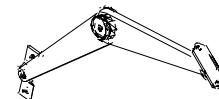
P4

SPRING LATCH
2PCS



P5

Roof hinge
2PCS



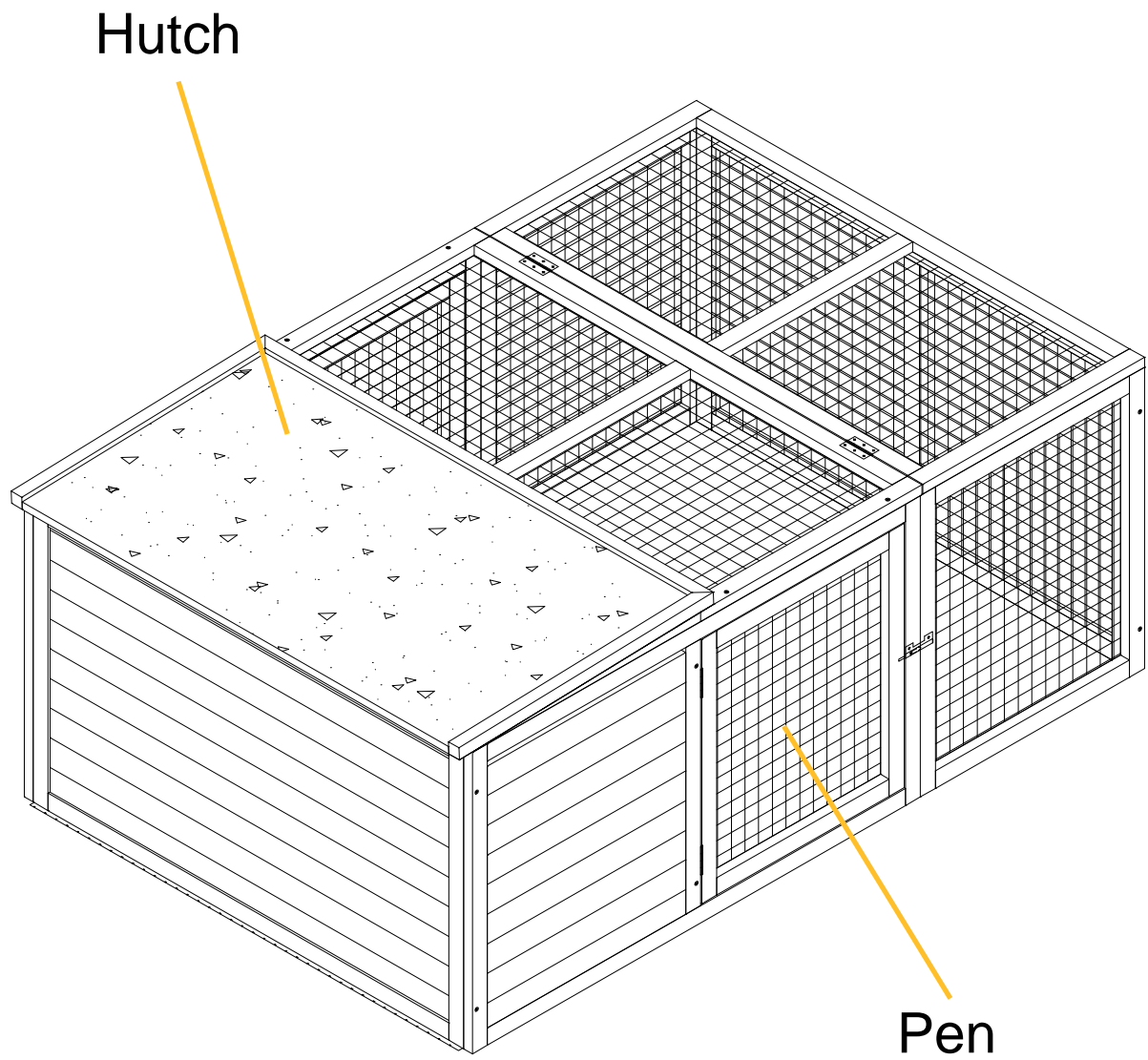
P6

M3.0x16 mm SCREW
4PCS+1 spare



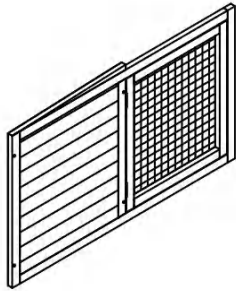
P7

HARDWARE



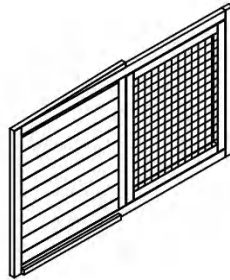
PARTS

Front panel
1PC



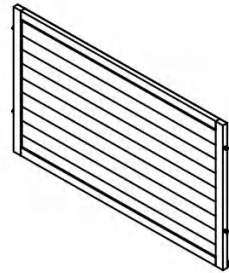
A

Back panel
1PC



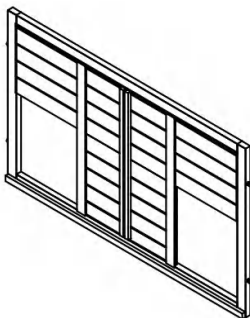
B

Side panel
1PC



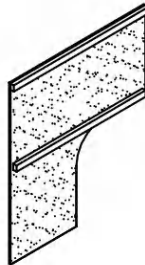
C

Middle panel
1PC



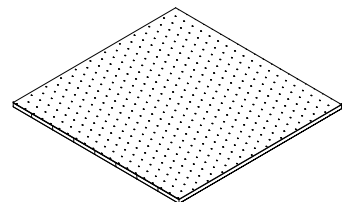
D

Divider
1PC



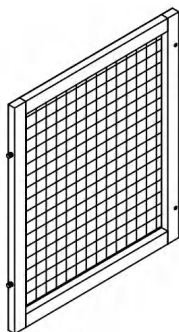
E

Floor
2PCS



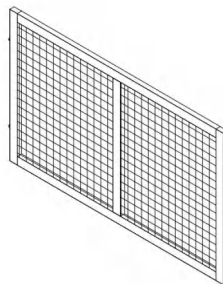
F

Front and back panel
2PCS



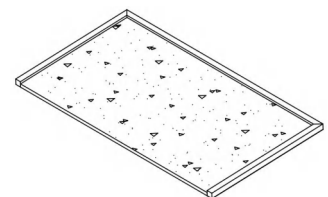
G

Side panel of pen
1PC



H

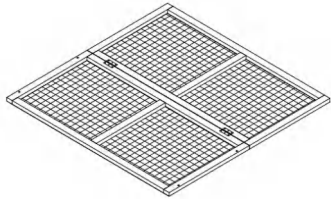
Roof of hutch
1PC



I

PARTS

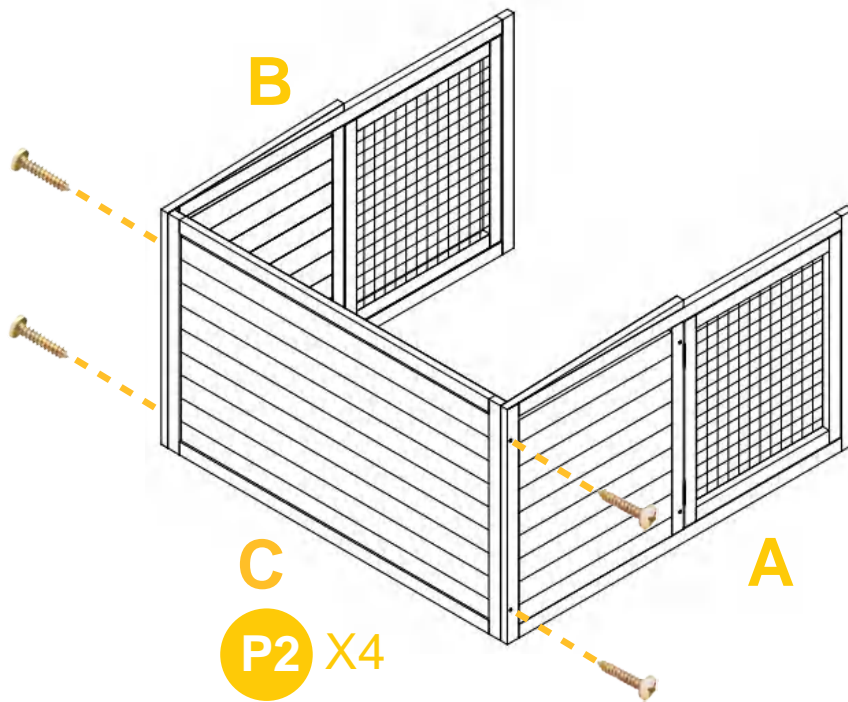
Roof of pen
1PC



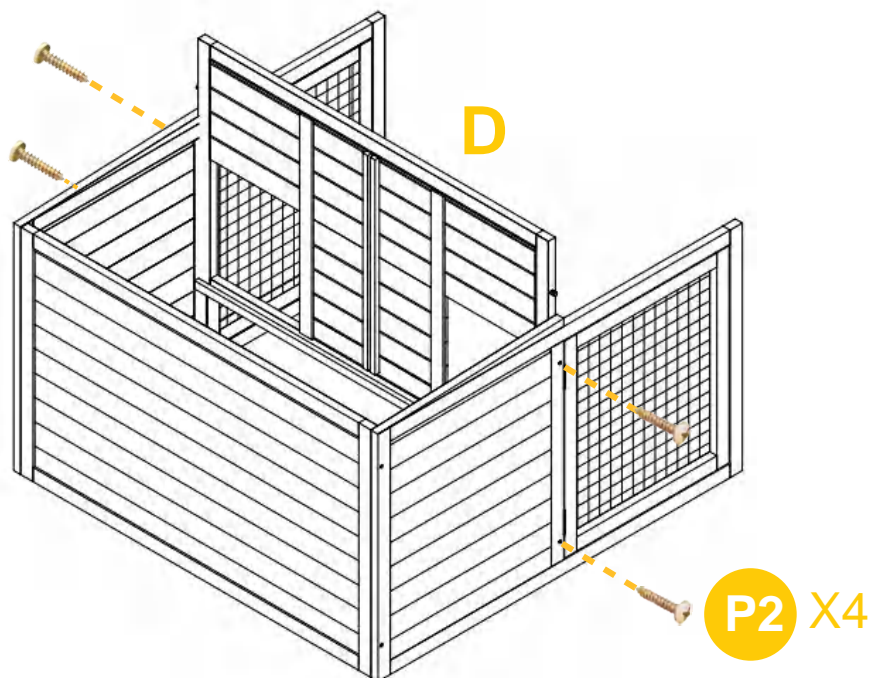
J

PRODUCT ASSEMBLY

01 Attach the front Part A and the back Part B to the side Part C by 4xP2.

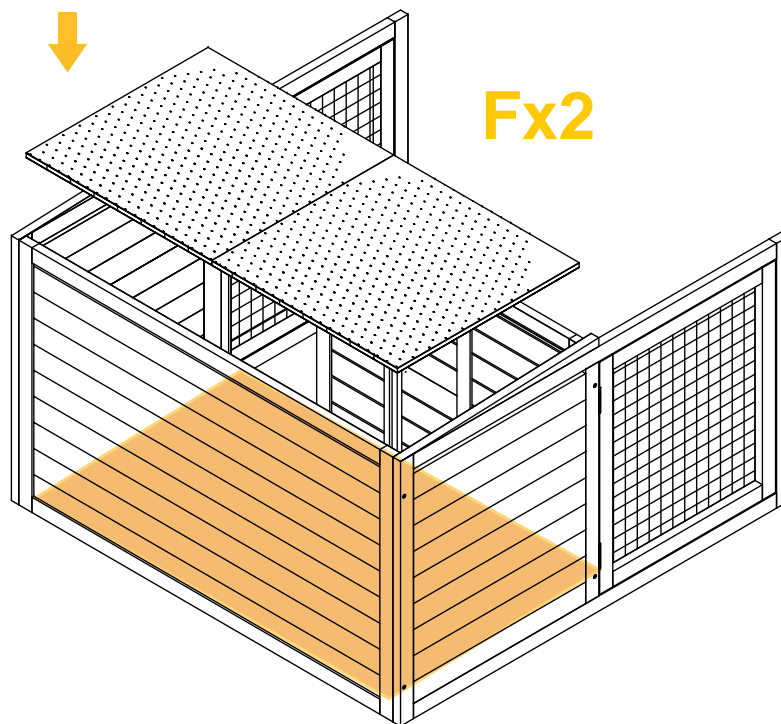


02 Attach the middle panel Part D to the front and back by 4xP2.

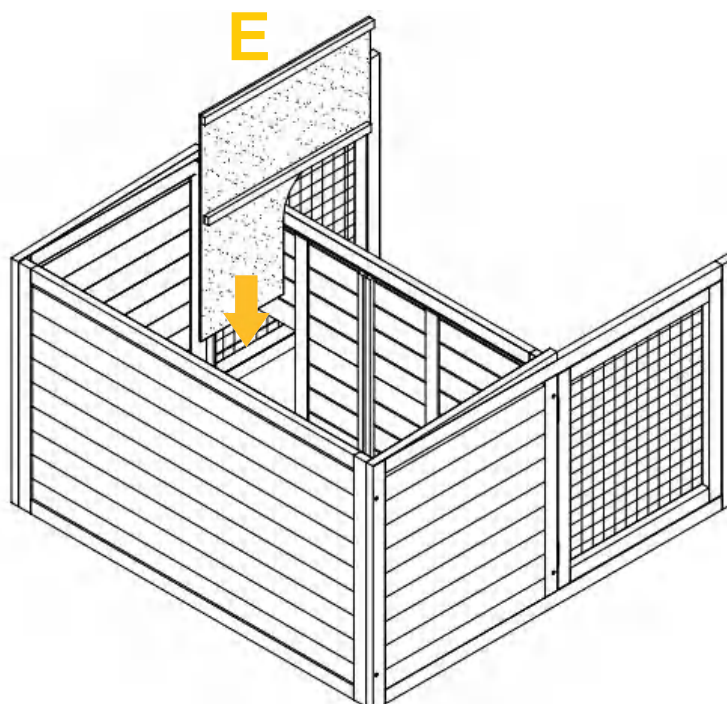


PRODUCT ASSEMBLY

03 Put the floor Part F into the hutch.

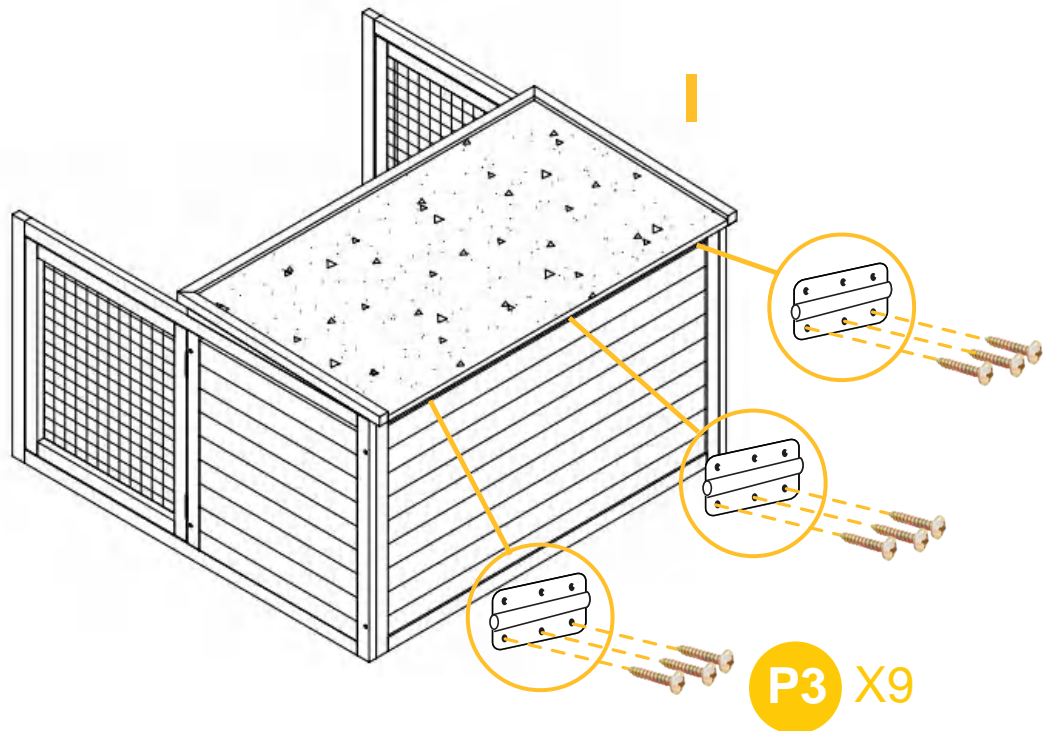


04 Insert the divider Part E to the hutch.

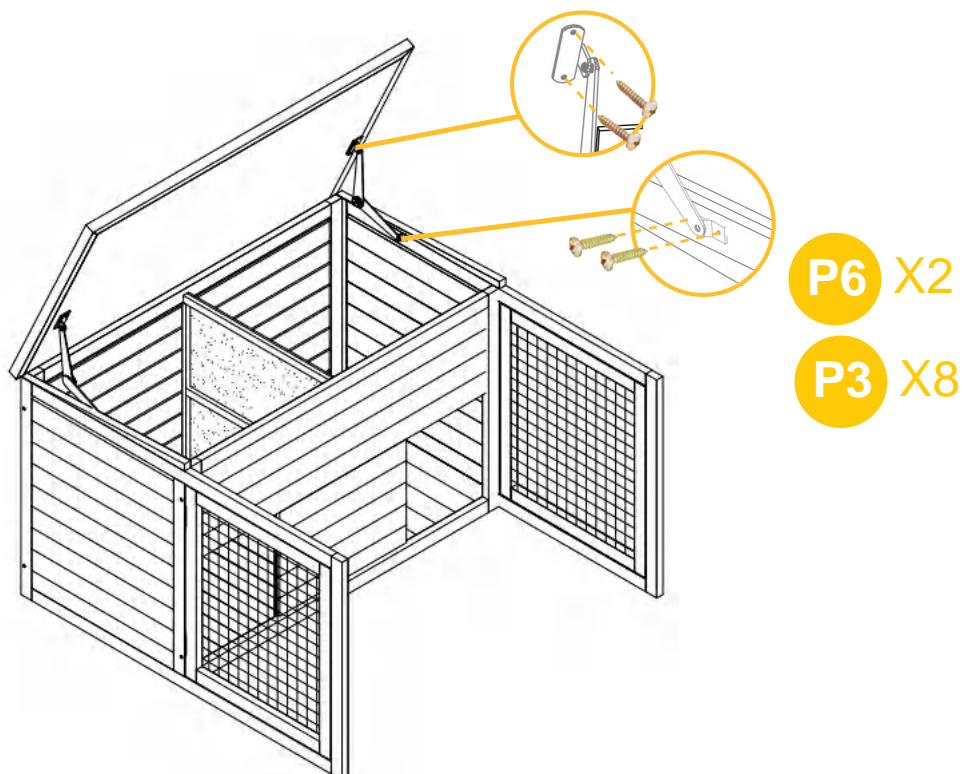


PRODUCT ASSEMBLY

05 Attach the roof Part I to the hutch by 9xP3.

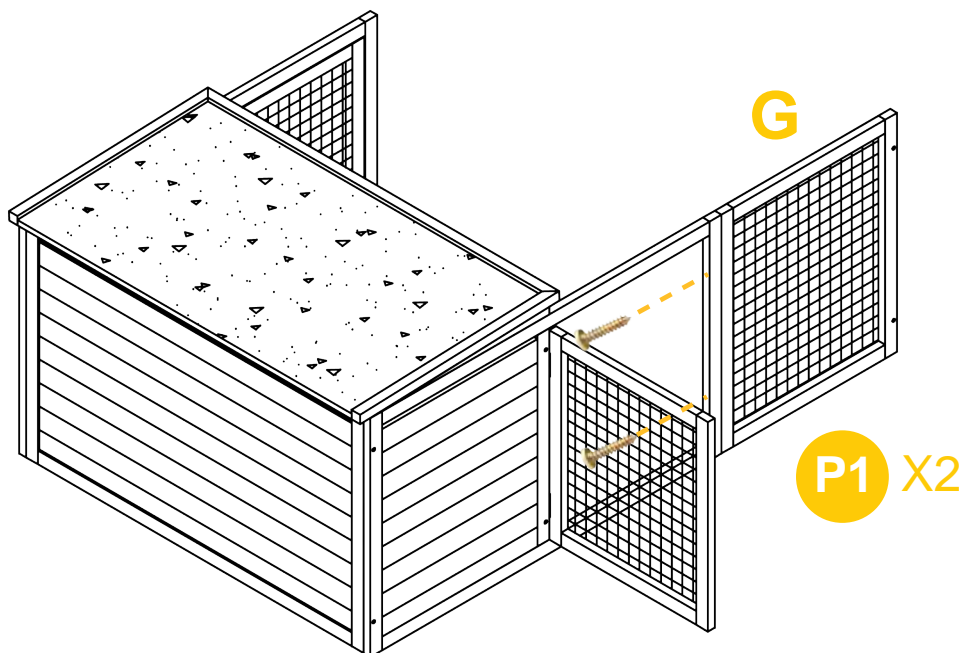


06 Attach the roof hinge P6 with 8xP3.

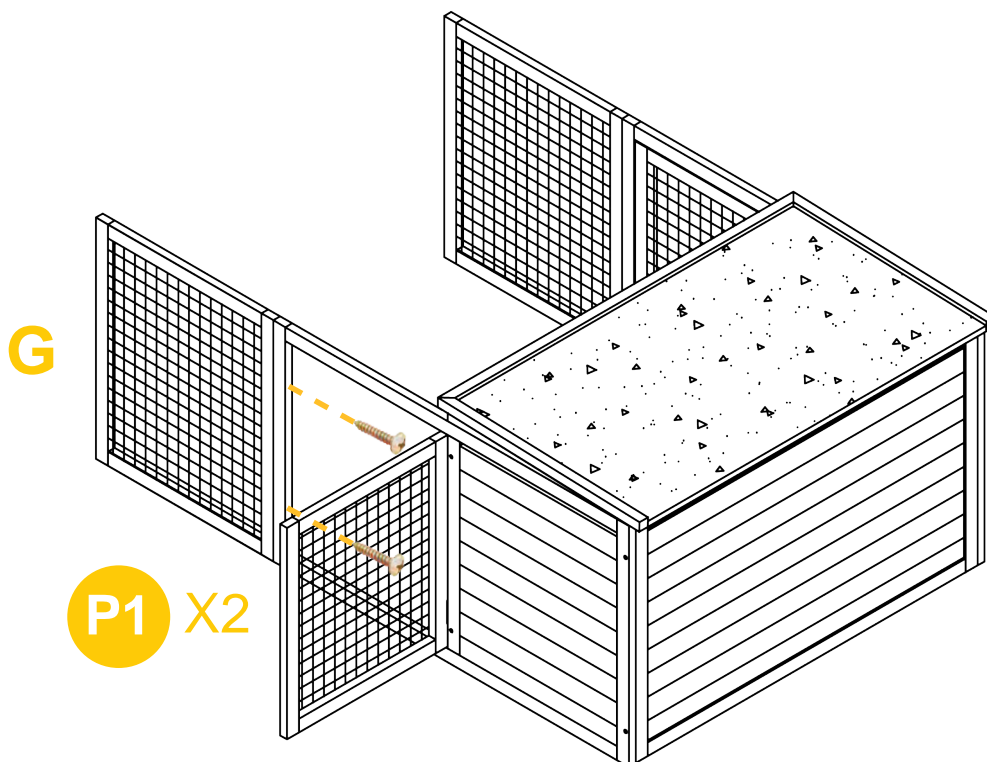


PRODUCT ASSEMBLY

07 Attach the panel Part G to the front by 2xP1.

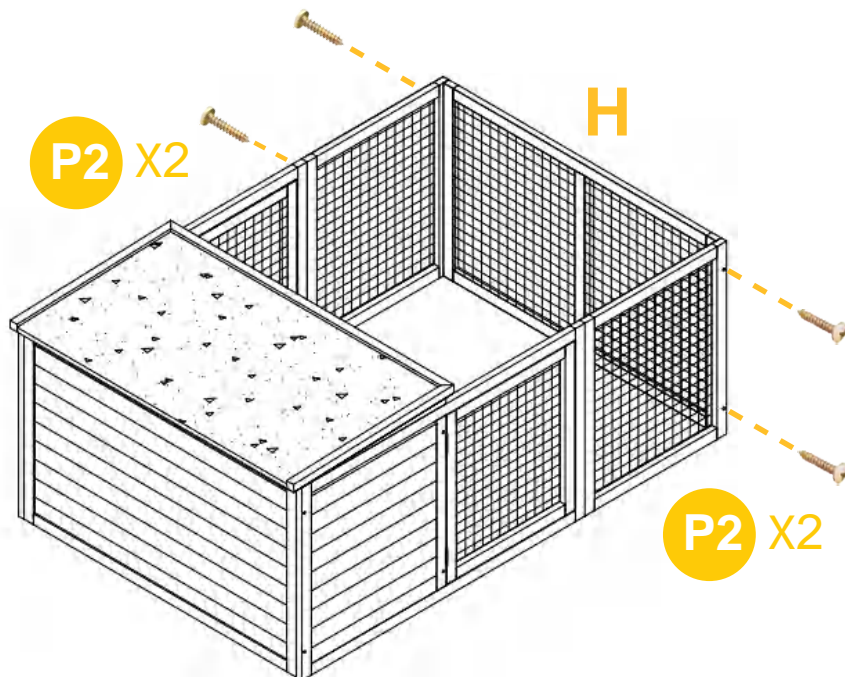


08 Repeat the Part G assembly in the opposite side by 2xP1.

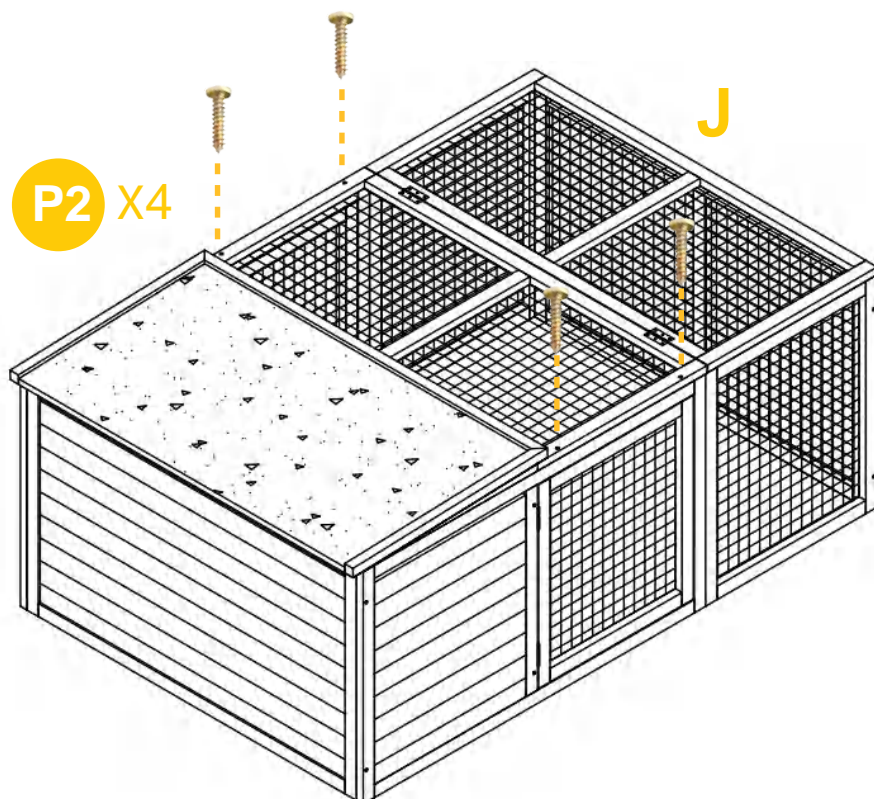


PRODUCT ASSEMBLY

09 Attach the side pen panel Part H to the sides by 2xP2 each side.

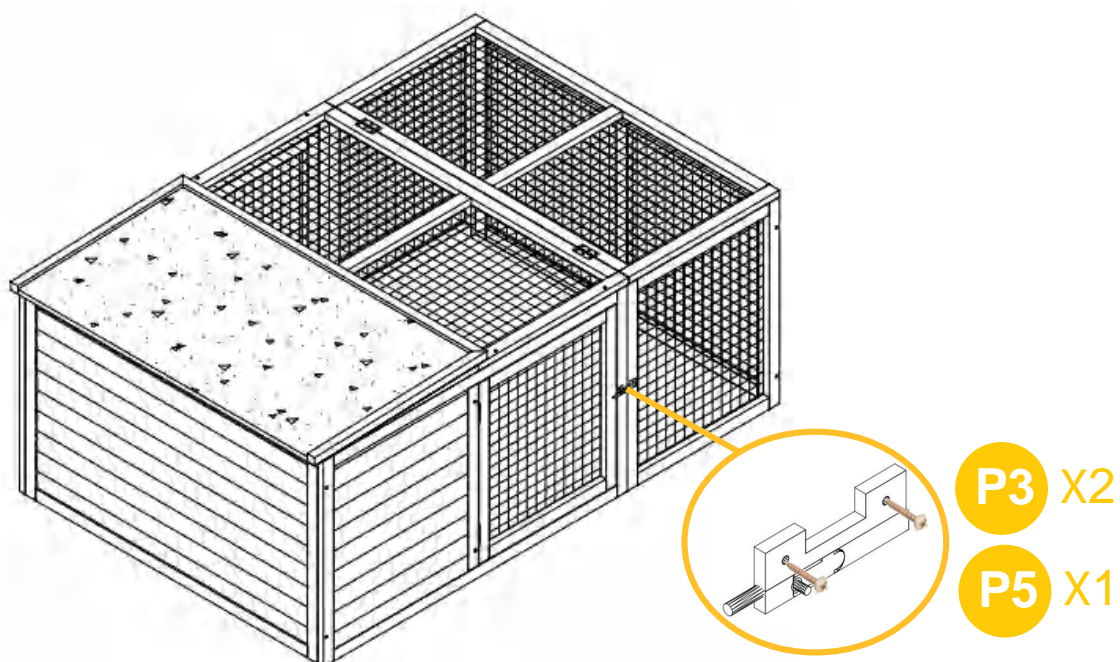


10 Attach the roof Part J to the pen by 4xP2.

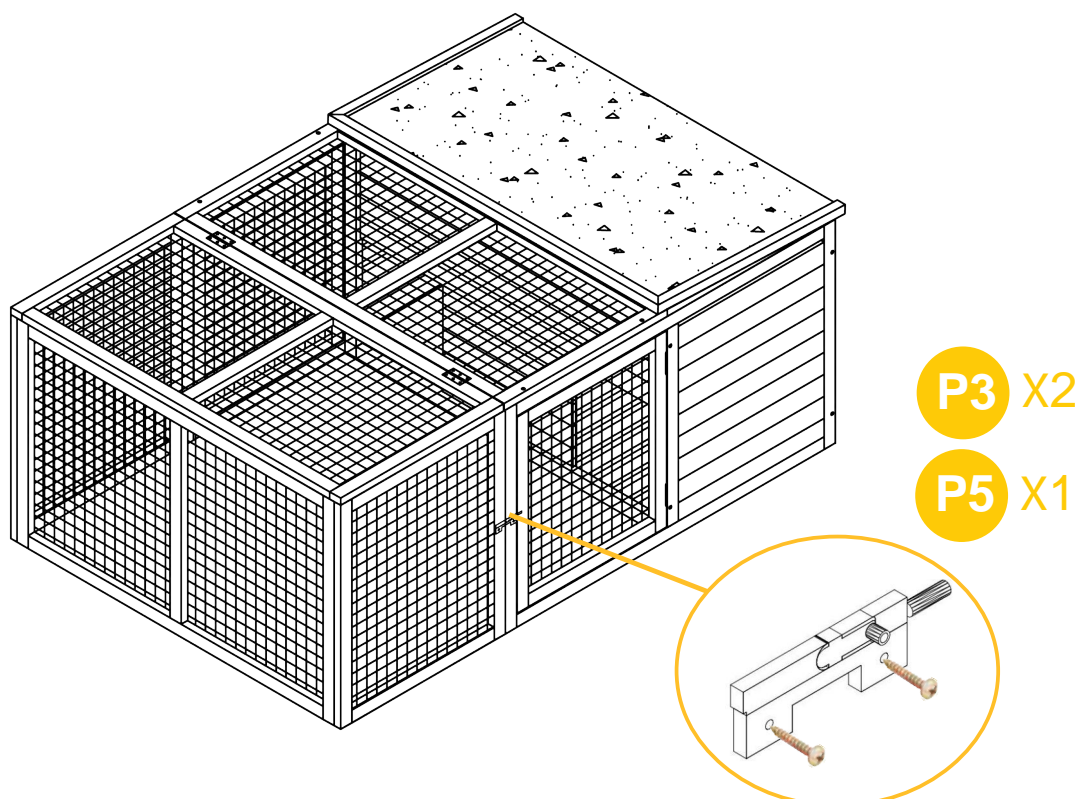


PRODUCT ASSEMBLY

11 Attach the spring latch P5 to the front door by 2xP3.

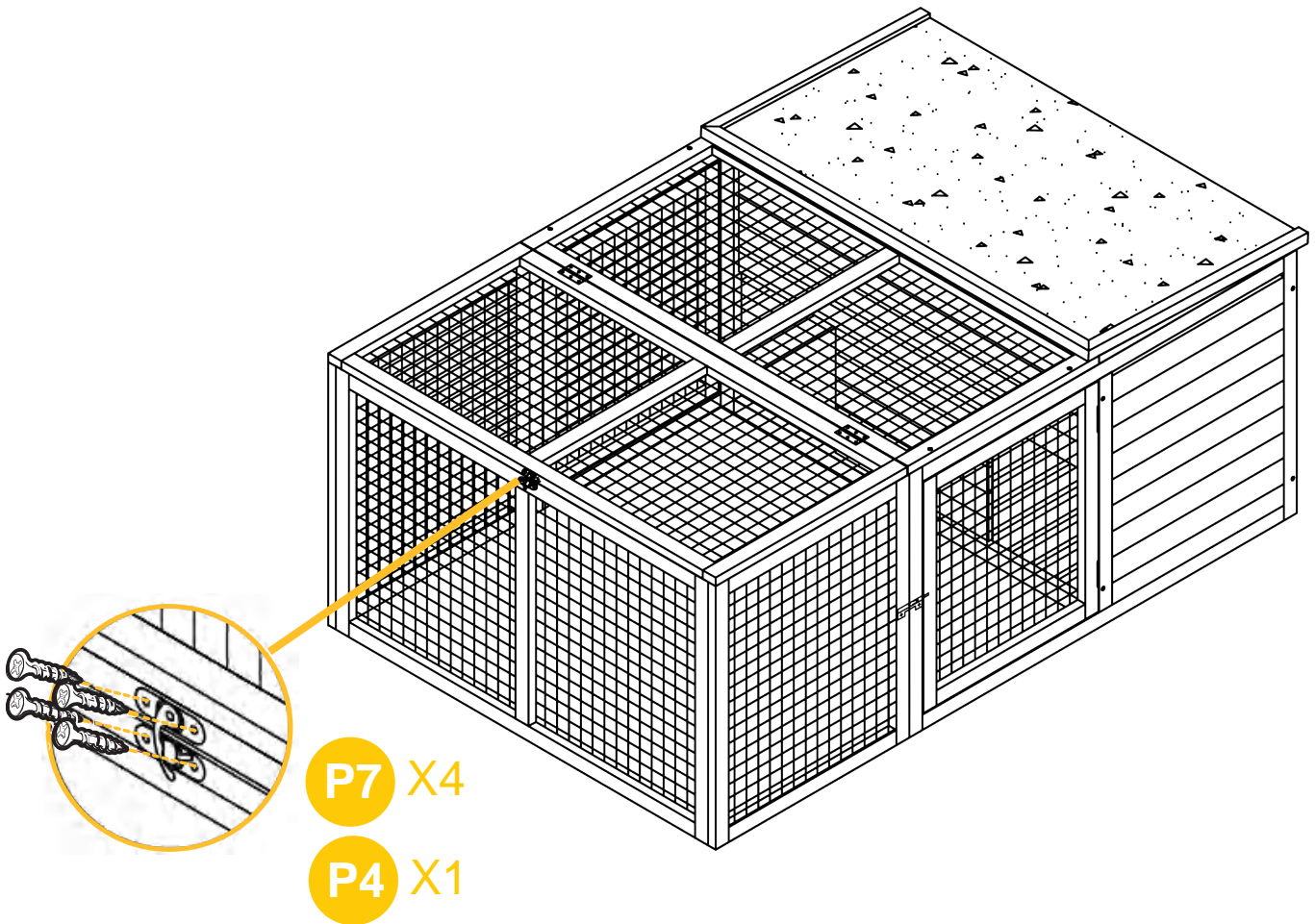


12 Attach the spring latch P5 to the back door by 2xP3.



PRODUCT ASSEMBLY

13 Attach the lock P4 to the side by 4xP7.





WARNING

Manufacturer and seller expressly disclaim any and all liability for personal injury, property damage or loss, whether direct, indirect, or incidental, resulting from the incorrect attachment, improper use, inadequate maintenance, or neglect of this