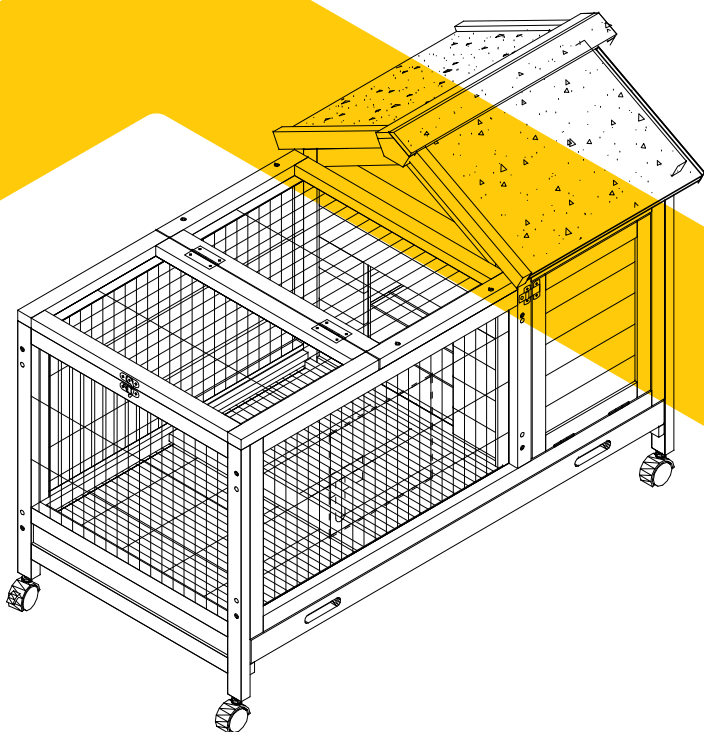


INSTRUCTION MANUAL

AIR 24



The logo for aivituvin, featuring the brand name in a bold, lowercase sans-serif font. Above the letter 'i' in 'vituvin' is a small yellow house icon.

www.aivituvin.com



NOTICE

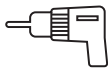
Please retain these instructions for future reference.

- Firmly secure all bolts,screws and knobs before use.
- Reconfirm that all bolts,screws,and knobs are secure every 90 days.
- Fasten screws loosely during initial assembly. Do not fully tighten screws until the item is completely assembled.
- Do not use or store this item in the proximity of open flame or flammable/combustible chemicals.
- Be aware that some parts are heavy and have sharp edges.
- Be aware that moving parts can injure,crush and cut.
- If any parts are missing,broken,damaged,or worn,stop using this product until repairs are made and/or factory replacement parts are installed.
- Do not use this item in a way inconsistent with the manufacturer's instructions as this could void the product warranty.

TOOLS REQUIRED //



PHILLIPS
SCREWDRIVER



DRILL
(RECOMMENDED)



2PERSON
ASSEMBLY



APPROXIMATELY
45MIN. ASSEMBLY

HARDWARE //

M3.5x45mm SCREW
12PCS+1spare



P1

M3.5x35mm SCREW
4PCS+1spare



P2

M3.5x20mm SCREW
2PCS+1spare



P3

M3.0x16mm SCREW
8PCS+1spare



P4

M3.0x10mm SCREW
2PCS+1spare



P5

Chewing toy
1PC



P6

Lock
1PC



P7

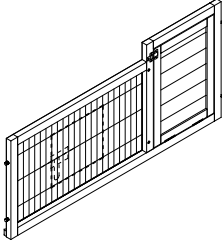
M3.0x16mm SCREW
4PCS+1spare



P8

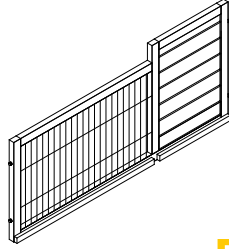
PARTS //

Front panel
1PC



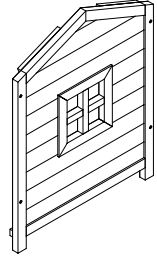
A

Back panel
1PC



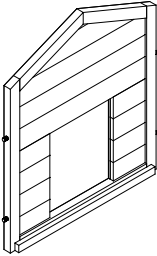
B

Side panel of wooden
hutch
1PC



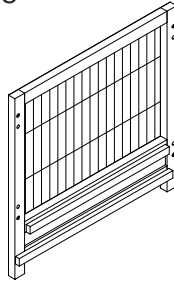
C

Middle panel of wooden
hutch
1PC



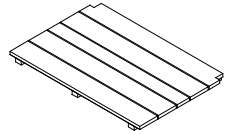
D

Side panel of pen
1PC



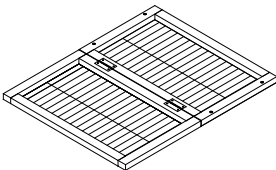
E

Floor of wooden hutch
1PC



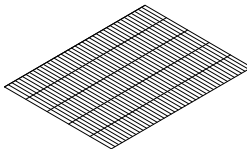
F

Roof of pen
1PC



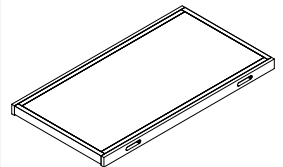
G

Wire floor
1PC



H

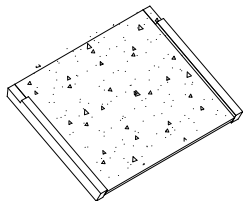
Plastic tray
1PC



I

PARTS //

Wooden roof
2PCS



J

Brake casters
2PCS



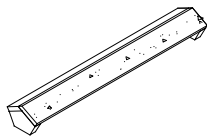
K

Casters without brakes
2PCS



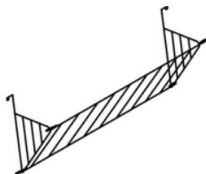
L

Roof cap
1PC



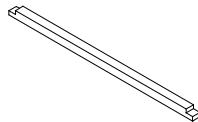
M

Folding metal feeder
1PC



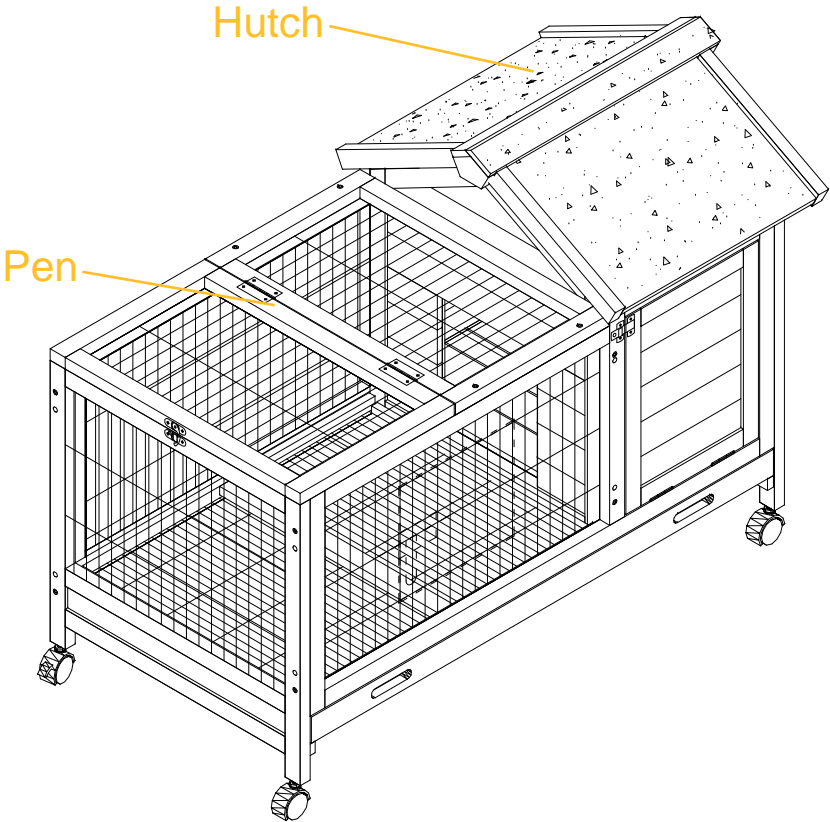
N

Wire floor supporter
1PC



O

PARTS

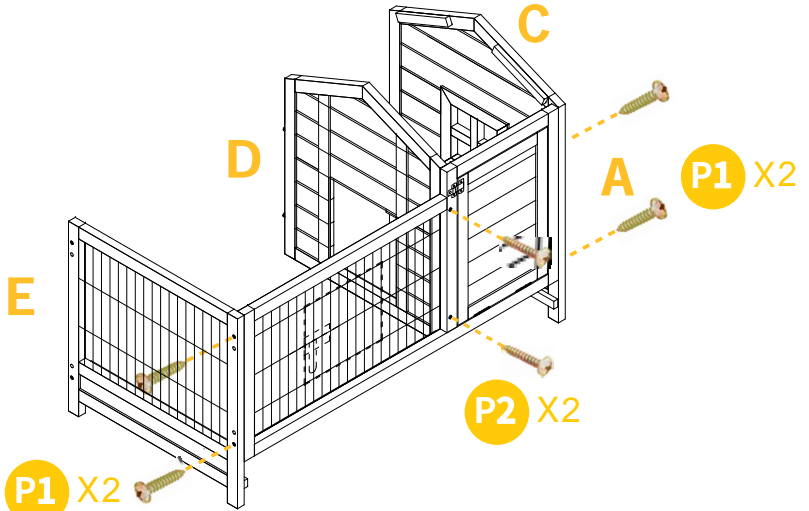


PRODUCT ASSEMBLY //

01

Attach the side panel Part E & Part C to the front panel Part A by 2xP1 each.

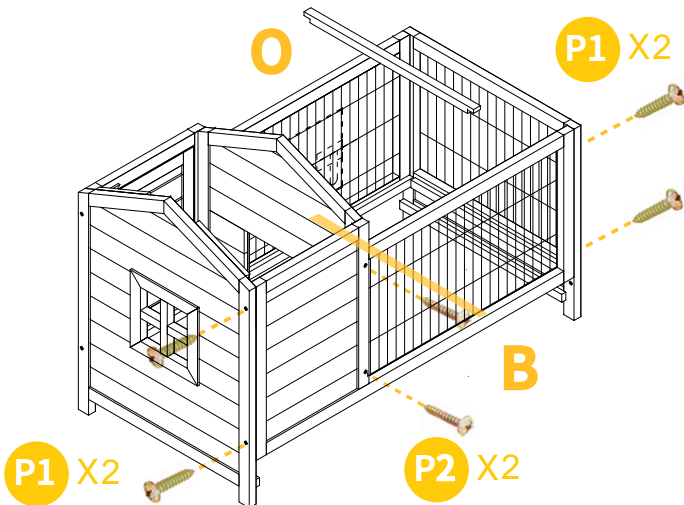
Attach the middle panel Part D to the front panel Part A by 2xP2.



02

Attach the back panel Part B by 2xP1 at each side and 2xP2 at the middle.

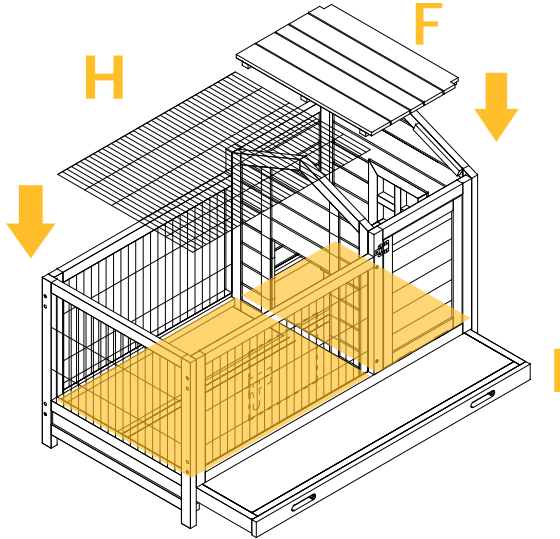
Insert the wire floor supporter Part O into the slots inside the front and back panel.



PRODUCT ASSEMBLY //

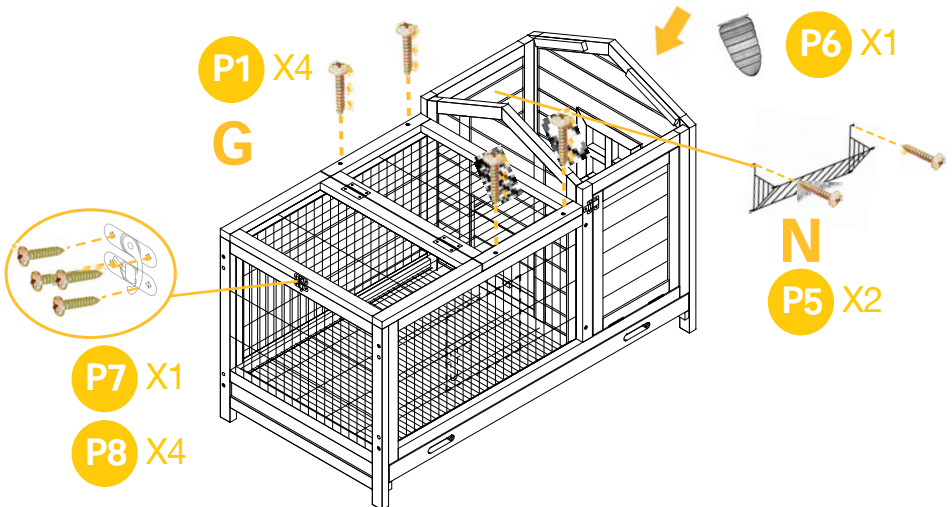
03

Put the wooden floor Part F into the wooden hutch.
Put the wire floor Part H into the pen.
Slide in the plastic tray Part I.



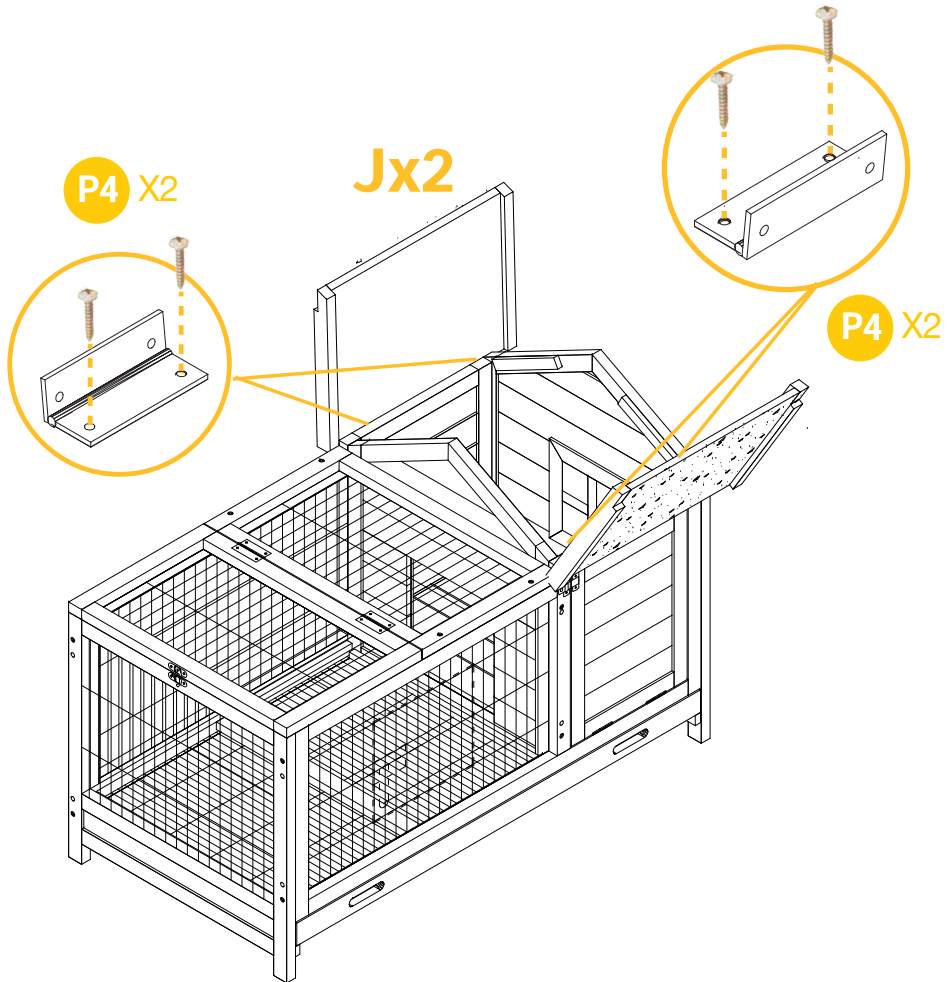
04

Attach the pen roof Part G by 4xP1.
Screw the lock P7 to the side of pen by 4xP8.
Screw the folding metal feeder Part N by 2xP5.
Put inside the chewing toy P6.



PRODUCT ASSEMBLY //

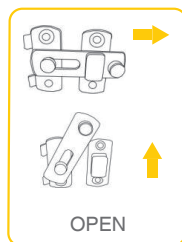
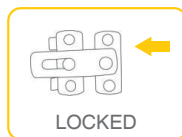
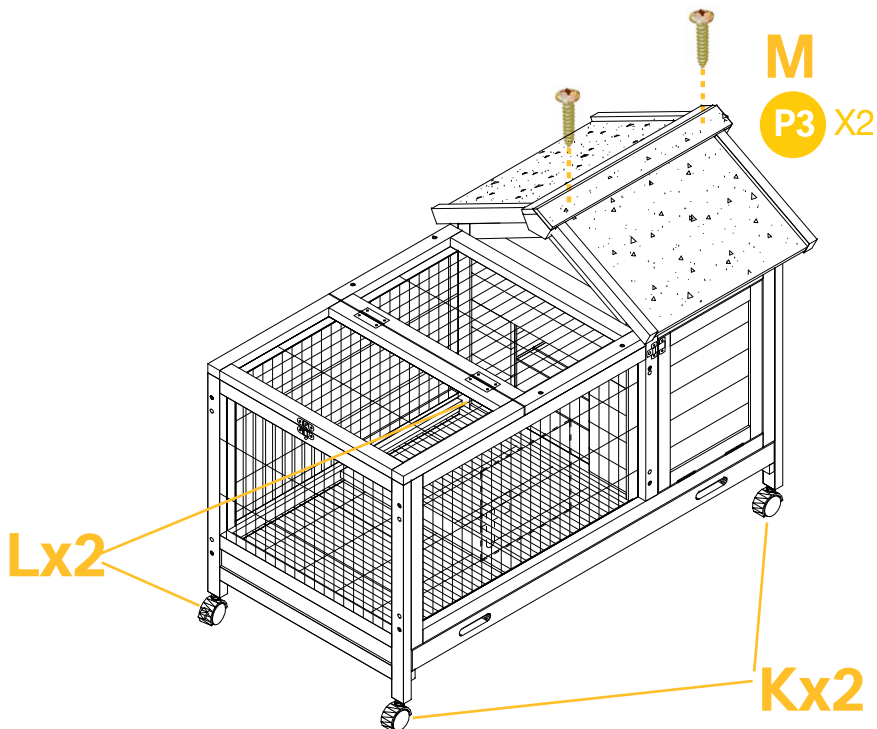
05 Attach the wooden roof Part J by 2xP4 each.



PRODUCT ASSEMBLY //

06

Screw in the casters Part L & K to the legs.
Screw the roof cap Part M by 2xP3.



Finish



WARNING

Manufacturer and seller expressly disclaim any and all liability for personal injury, property damage or loss, whether direct, indirect, or incidental, resulting from the incorrect attachment, improper use, inadequate maintenance, or neglect of this product.