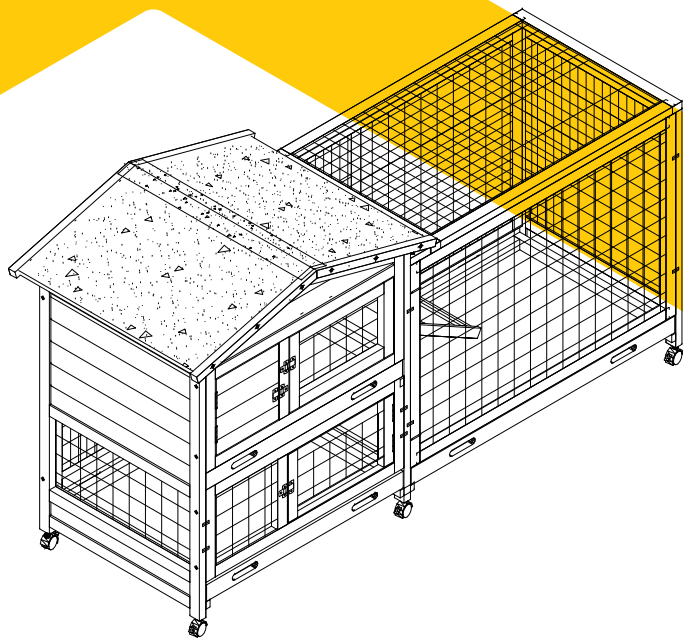


INSTRUCTION MANUAL

AIR 19



The logo for aivituvin, featuring a stylized house icon above the brand name.

www.aivituvin.com



NOTICE

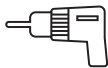
Please retain these instructions for future reference.

- Firmly secure all bolts,screws and knobs before use.
- Reconfirm that all bolts,screws,and knobs are secure every 90 days.
- Fasten screws loosely during initial assembly. Do not fully tighten screws until the item is completely assembled.
- Do not use or store this item in the proximity of open flame or flammable/combustible chemicals.
- Be aware that some parts are heavy and have sharp edges.
- Be aware that moving parts can injure,crush and cut.
- If any parts are missing,broken,damaged,or worn,stop using this product until repairs are made and/or factory replacement parts are installed.
- Do not use this item in a way inconsistent with the manufacturer's instructions as this could void the product warranty.

TOOLS REQUIRED //



PHILLIPS
SCREWDRIVER



DRILL
(RECOMMENDED)



2PERSON
ASSEMBLY



APPROXIMATELY
45MIN. ASSEMBLY

HARDWARE //

M3.5x50mm SCREW
4PCS+1spare



P1

M3.5x45mm SCREW
20PCS+1spare



P2

M3.5x35mm SCREW
8PCS+1spare



P3

M3.5x30mm SCREW
4PCS+1spare



P4

M3.0x16mm SCREW
4PCS+1spare



P5

M3.0x10mm SCREW
2PCS+1spare



P6

Chewing Toy for gift
1PC



P7

Latch
1PC



P8

HARDWARE

M4.0x30mm BOLT
2PCS



P9

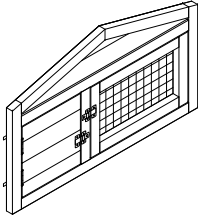
M3.0x16mm SCREW
4PCS+1spare



P10

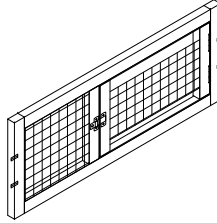
PARTS //

Front UP panel
1PC



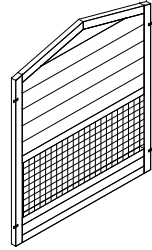
A

Front down panel
1PC



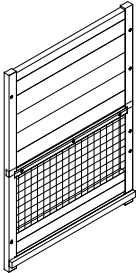
B

Back panel
1PC



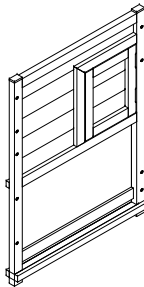
C

Left panel
1PC



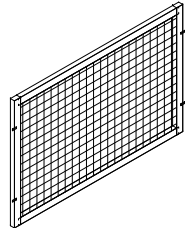
D

Right panel
1PC



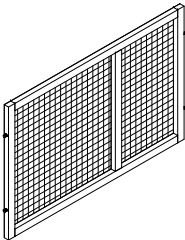
E

Front panel of pen
1PC



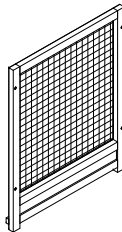
F

Back panel of pen
1PC



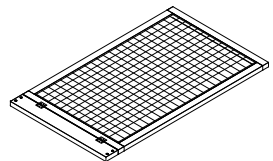
G

Side panel of pen
1PC



H

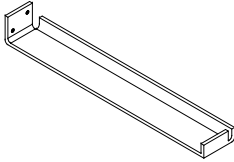
Top panel of pen
1PC



I

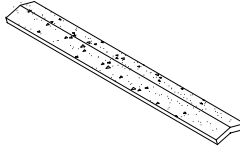
PARTS

Metal ramp supporting
1PC



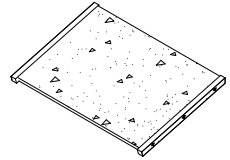
J

Roof cap
1PC



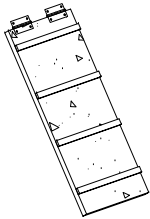
K

Asphalt roofs
2PCS



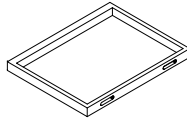
L

Ramp
1PC



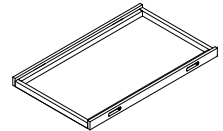
M

Upper hutch tray
1PC



N

Pen tray
1PC



O

Casters without brakes
4PCS



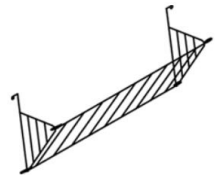
P

Casters with brakes
2PCS



Q

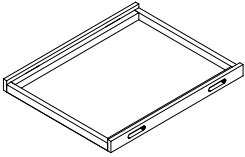
Folding metal feeder
1PC



R

PARTS //

Bottom hutch tray
1PC

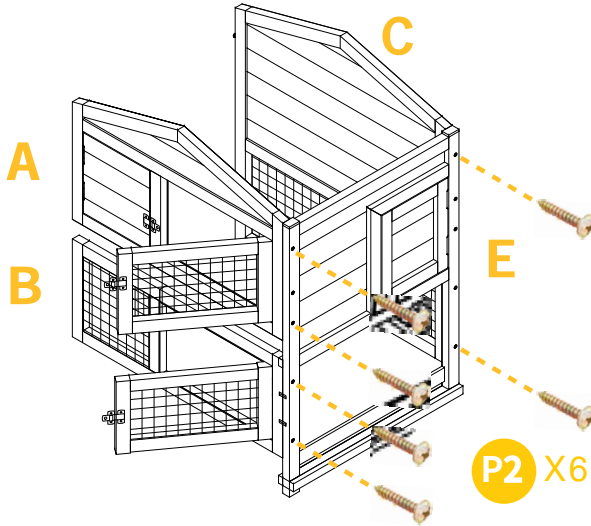


S

PRODUCT ASSEMBLY //

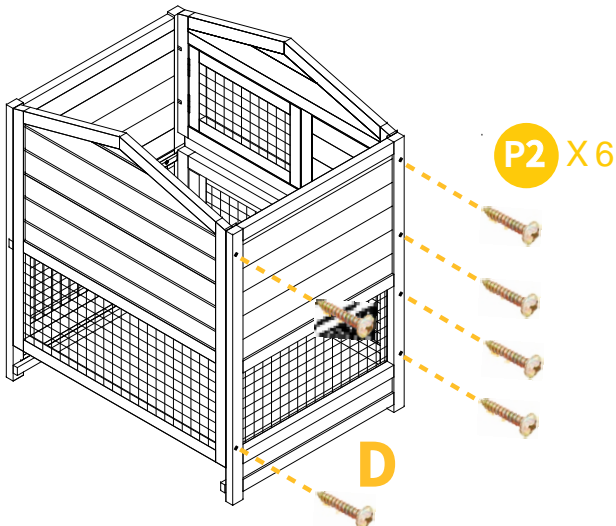
01

Attach front panel Part A, B & back panel Part C to the right panel Part E by 4xP2 one side and 2xP2 the other side. Notice there are predrill screws holes to direct.



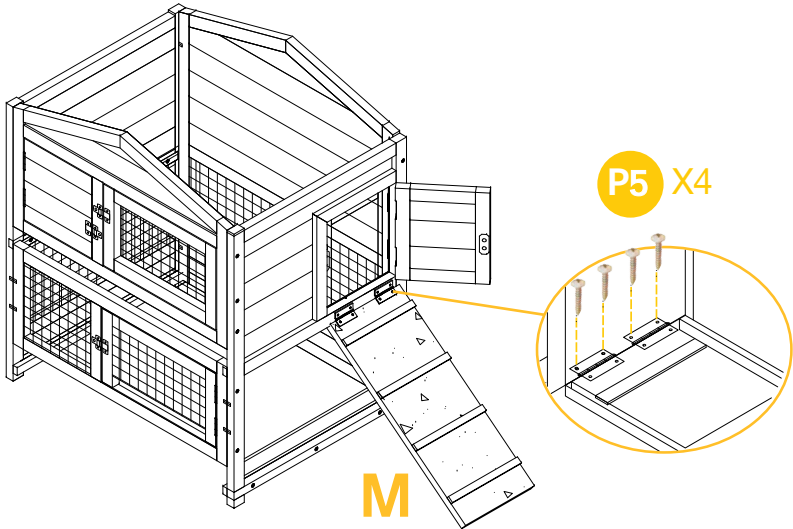
02

Attach left panel Part D to step 1 by 2xP2 one side and 4xP2 the other side. Notice there are predrill screws holes to direct.

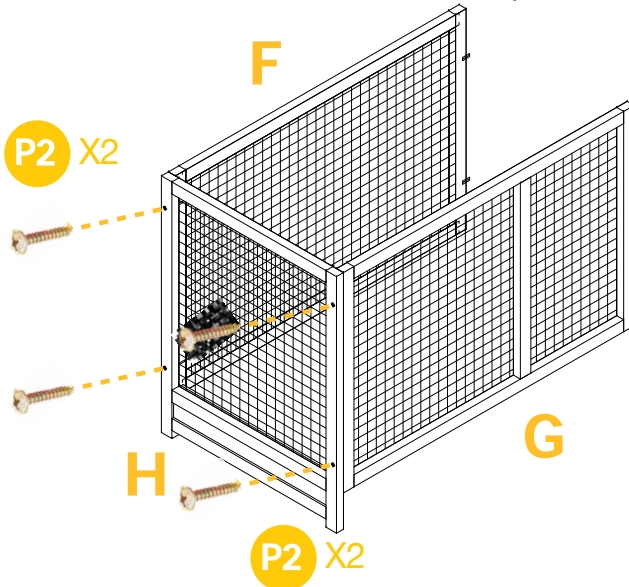


PRODUCT ASSEMBLY

03 Screw the ramp Part M to the right panel by 4xP5.

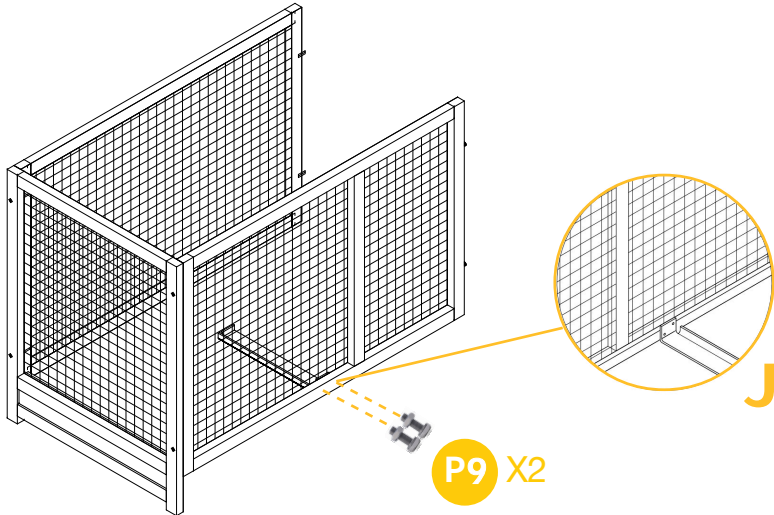


04 Attach the side pen!
Screw the Part H to the Part F & Part G by 2xP2 each side.

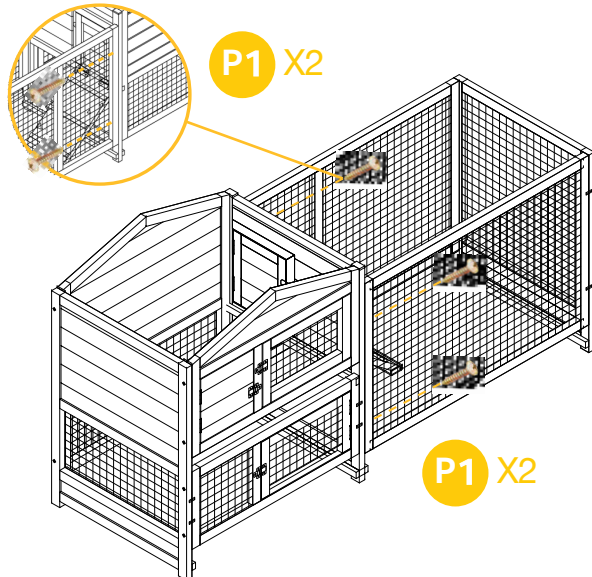


PRODUCT ASSEMBLY //

- 05** Screw the metal ramp supporting board Part J inside the **back panel of pen Part G** by 2xP9.

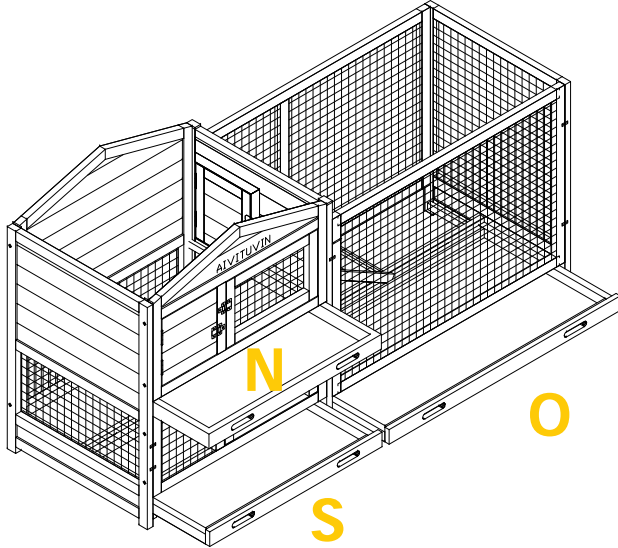


- 06** Attach the pen to the wood hutch by screwing 2xP1 each side.

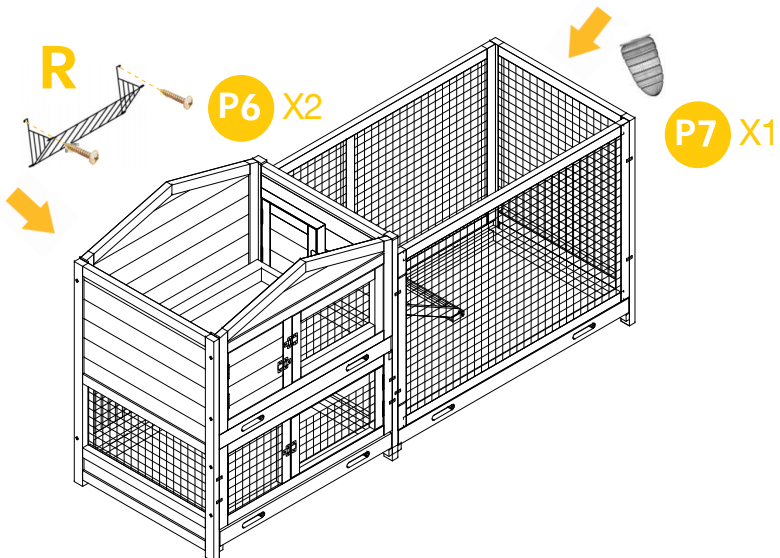


PRODUCT ASSEMBLY //

07 Slide in the Upper tray N and bottom tray S, pen tray O.

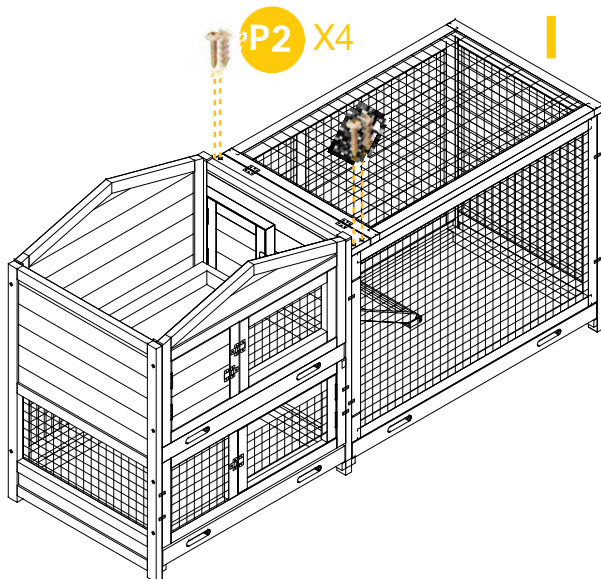


08 Screw the metal feeder Part R to the back panel by 2xP6. Put the chewing toy Part P7 into the cage anywhere you want.

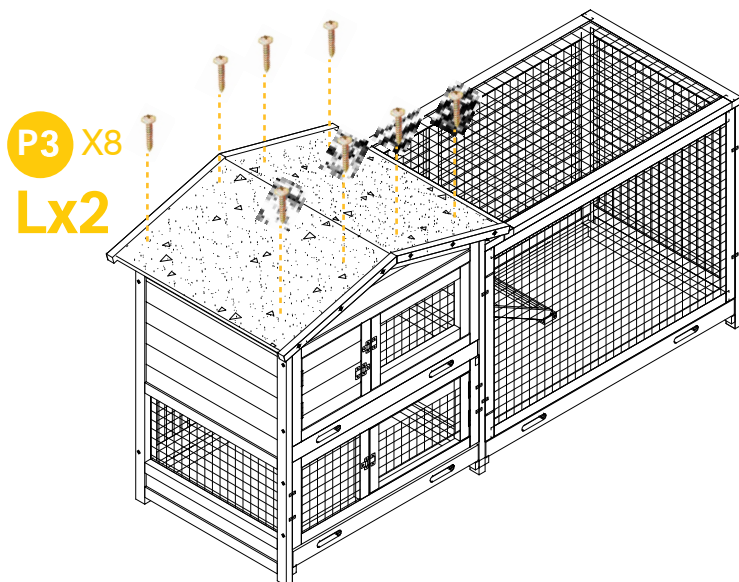


PRODUCT ASSEMBLY //

09 Attach the top panel of pen Part I by 4xP2 screws.



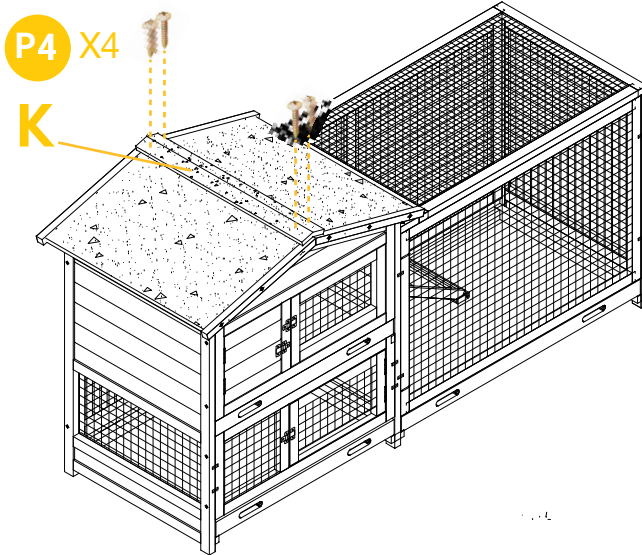
10 Screw the asphalt roofs Part L to the hutch by 8xP3. Notice to level up the roof line.



PRODUCT ASSEMBLY //

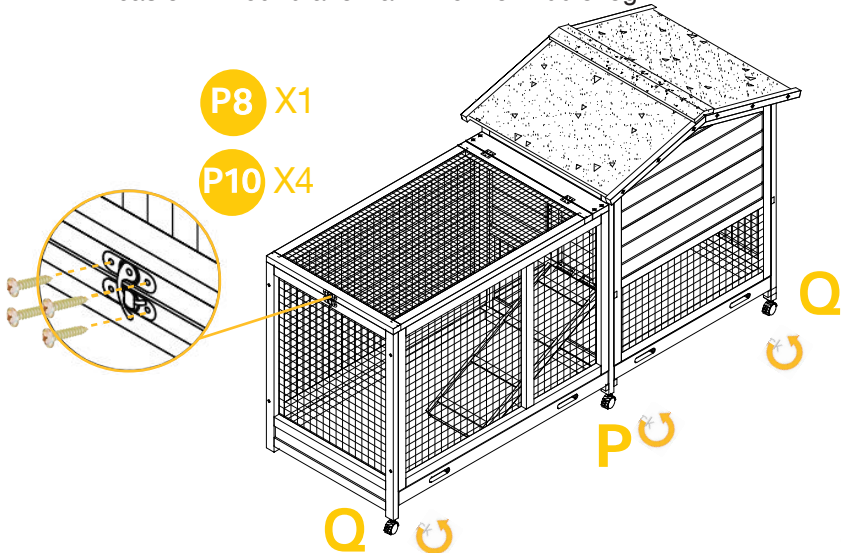
11

Screw the roof cap Part K to the roof by 4xP4.



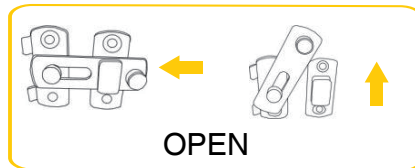
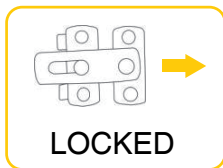
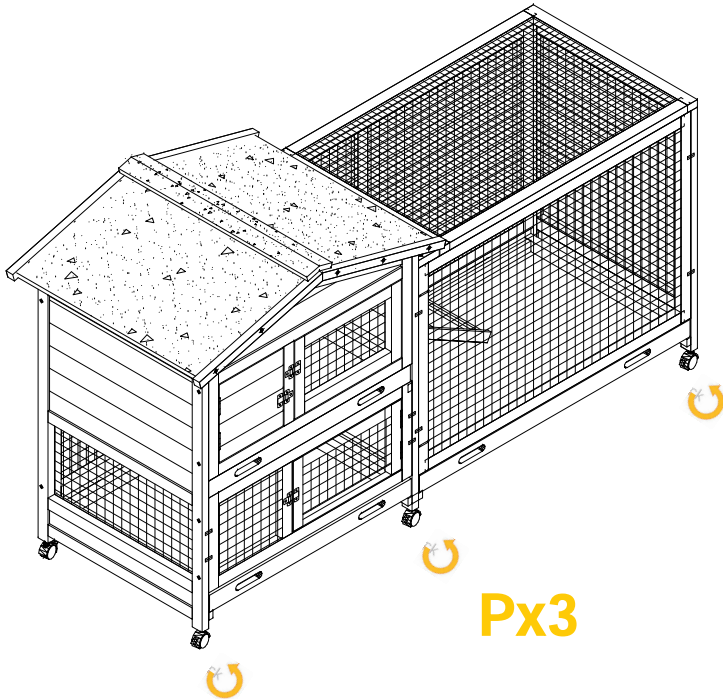
12

Attach top panel of pen and side panel of pen with 1xP8 by 4xP10 screws.
Screw two brake casters Part Q to the 2 back legs, and one caster without brake Part P to the middle leg.



PRODUCT ASSEMBLY

13 Screw the 3 casters without brakes Part P to the front 3 legs.





WARNING

Manufacturer and seller expressly disclaim any and all liability for personal injury, property damage or loss, whether direct, indirect, or incidental, resulting from the incorrect attachment, improper use, inadequate maintenance, or neglect of this product.