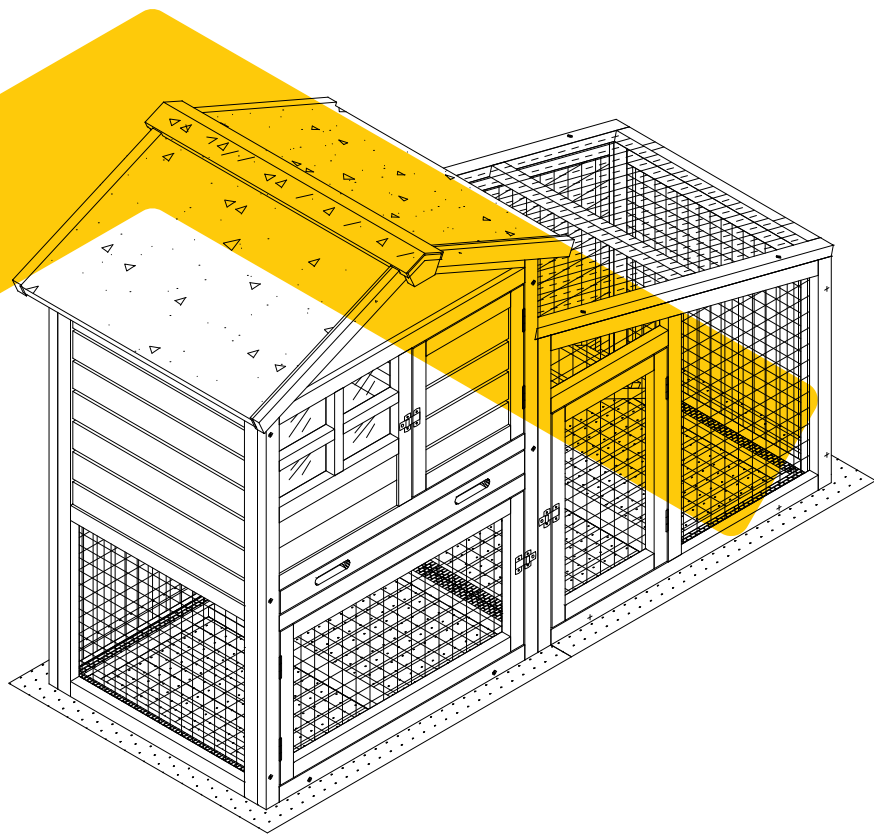


INSTRUCTION MANUAL

AIR 600



aivituvin

www.aivituvin.com



NOTICE

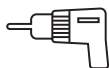
Please retain these instructions for future reference.

- Firmly secure all bolts,screws and knobs before use.
- Reconfirm that all bolts,screws,and knobs are secure every 90 days.
- Fasten screws loosely during initial assembly. Do not fully tighten screws until the item is completely assembled.
- Do not use or store this item in the proximity of open flame or flammable/combustible chemicals.
- Be aware that some parts are heavy and have sharp edges.
- Be aware that moving parts can injure,crush and cut.
- If any parts are missing,broken,damaged,or worn,stop using this product until repairs are made and/or factory replacement parts are installed.
- Do not use this item in a way inconsistent with the manufacturer's instructions as this could void the product warranty.

TOOLS REQUIRED //



PHILLIPS
SCREWDRIVER



DRILL
(RECOMMENDED)



2PERSON
ASSEMBLY



APPROXIMATELY
45MIN. ASSEMBLY

HARDWARE //

M3.5x50mm SCREW
4PCS+1spare



P1

M3.5x40mm SCREW
18PCS+1spare



P2

M3.5x35mm SCREW
16PCS+1spare



P3

M3.5x25mm SCREW
4PCS+1spare



P4

M3.0x16mm SCREW
4PCS+1spare



P5

M3.0x10mm SCREW
2PCS+1spare



P6

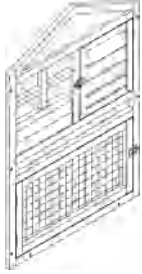
Chewing toy
1PC



P7

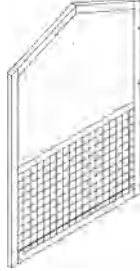
PARTS

Front panel of hutch
1PC



A

Back panel of hutch
1PC



B

Left panel of hutch
1PC



C

Right panel of hutch
1PC



D

Tray
1PC



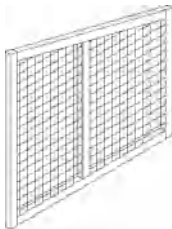
E

Floor panel of side pen
1PC



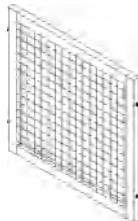
F

Back panel of side pen
1PC



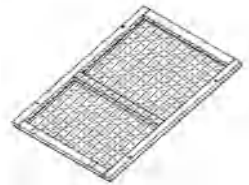
G

Right panel of side pen
1PC



H

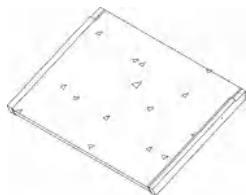
Top cover of side pen
1PC



I

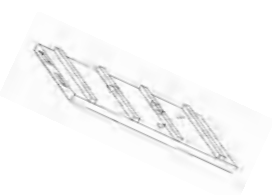
PARTS //

Roof
2PCS



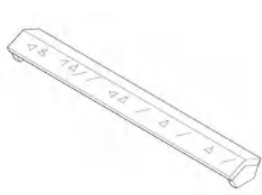
J

Ramp
1PC



K

Roof cap
1PC



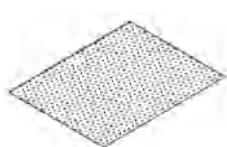
L

Wire mesh floor
2PCS



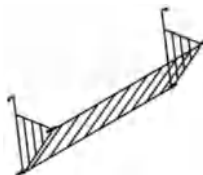
M

Black plastic layer
2PCS



N

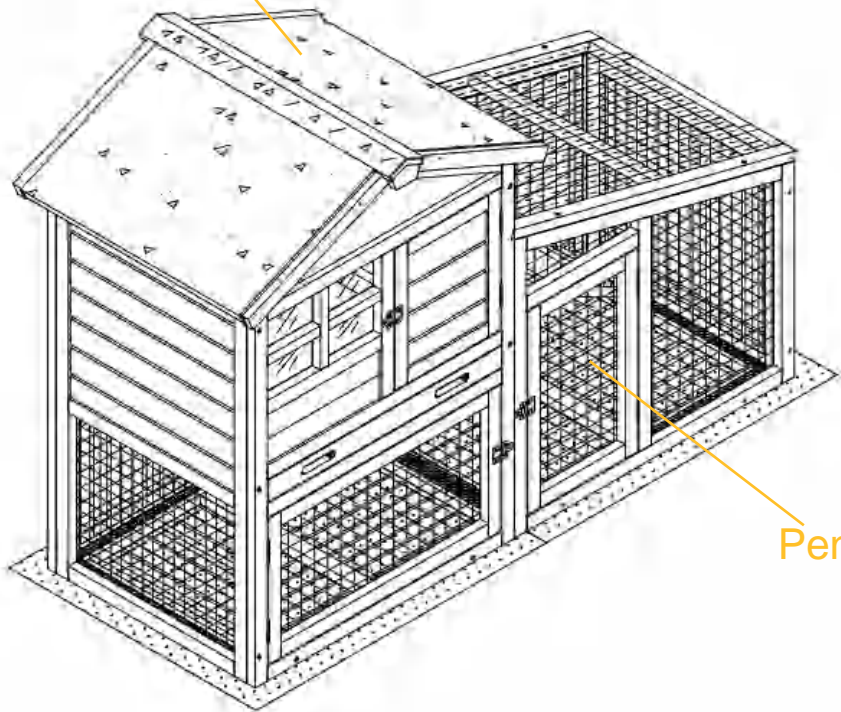
Folding metal feeder
1PC



O

PARTS

Hutch

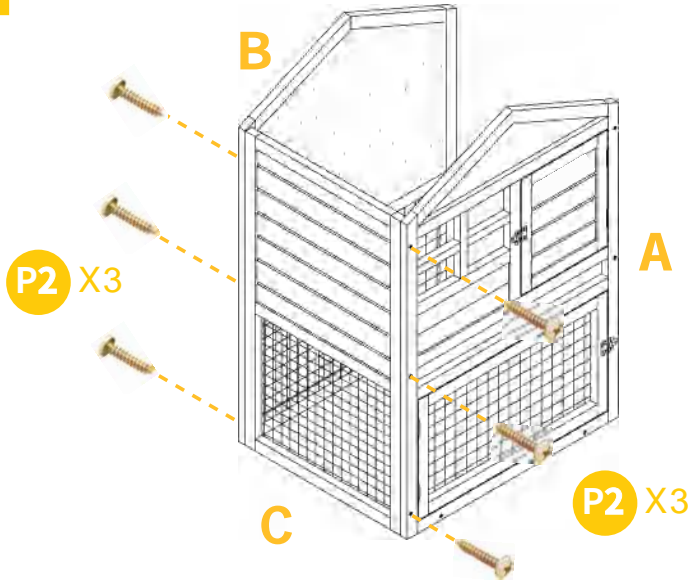


Pen

PRODUCT ASSEMBLY //

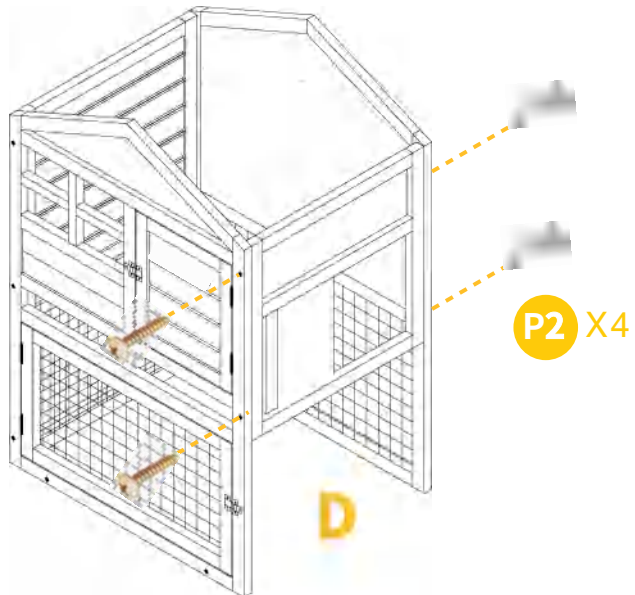
01

Attach Part A, Part B and Part C by 6xP2 screws.



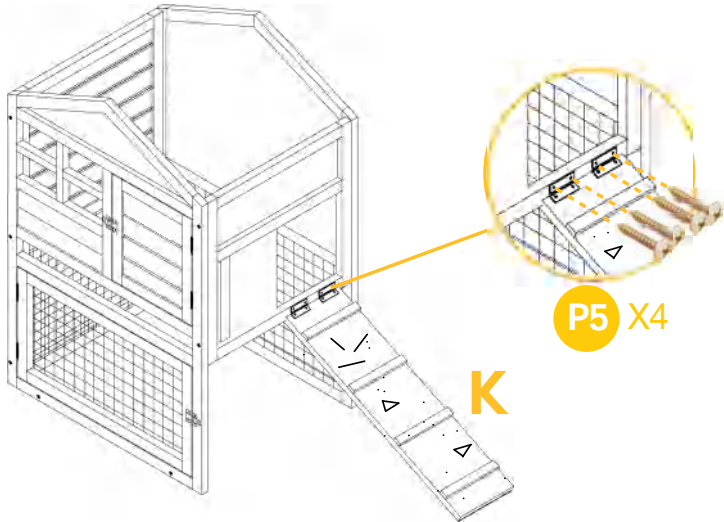
02

Attach Part D by 2xP2 screws each side.

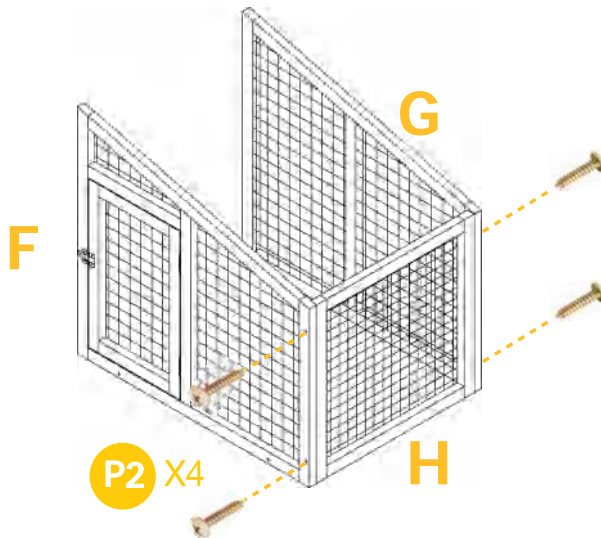


PRODUCT ASSEMBLY //

- 03** Screw the ramp Part K to the right panel of hutch Part D by 4xP5 screws.



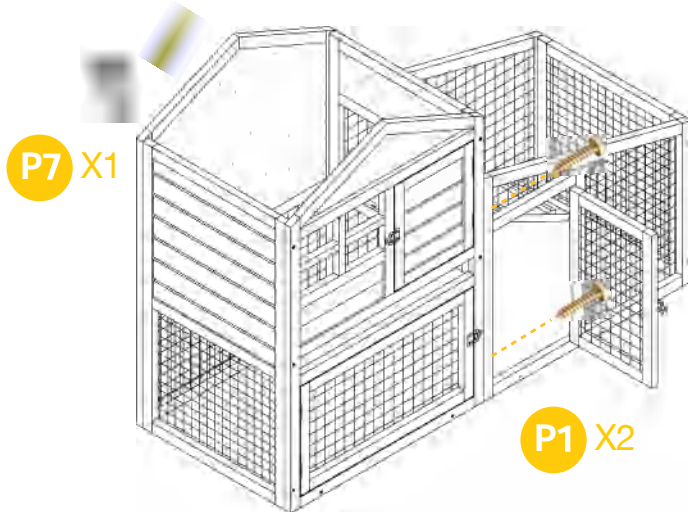
- 04** Attach the side pen!
Screw the Part F, Part G and Part H by 4xP2 screws.



PRODUCT ASSEMBLY //

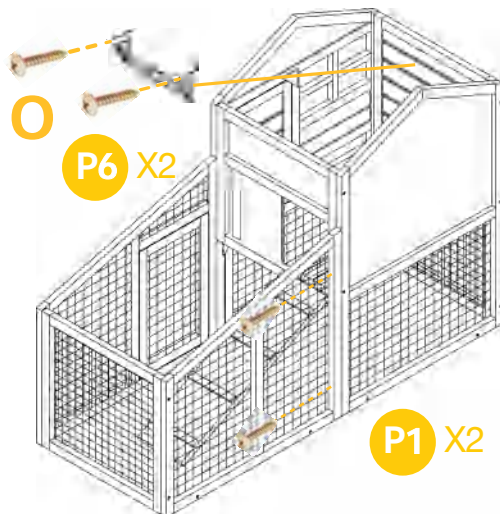
05

Attach the pen to the hutch from front by 2xP1 screws as show on picture.
Put the chewing toy P7 inside the cage anywhere you want.



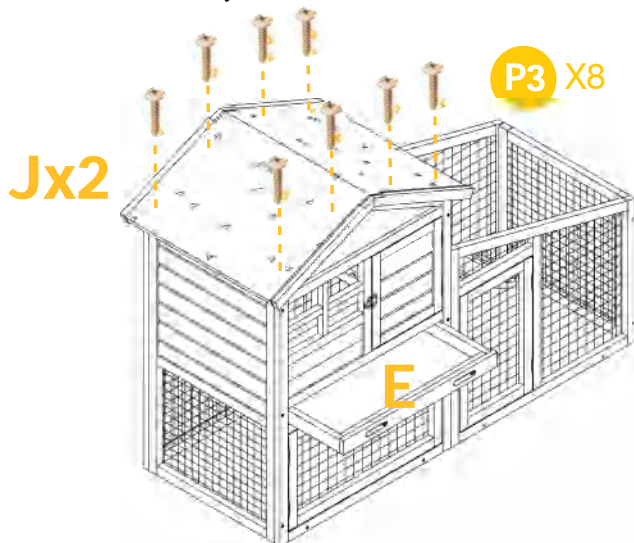
06

Attach the pen to the hutch from back by 2xP1 screws as show on picture.
Screw the metal feeder Part O inside of left panel of hutch Part C by 2xP6 screws.

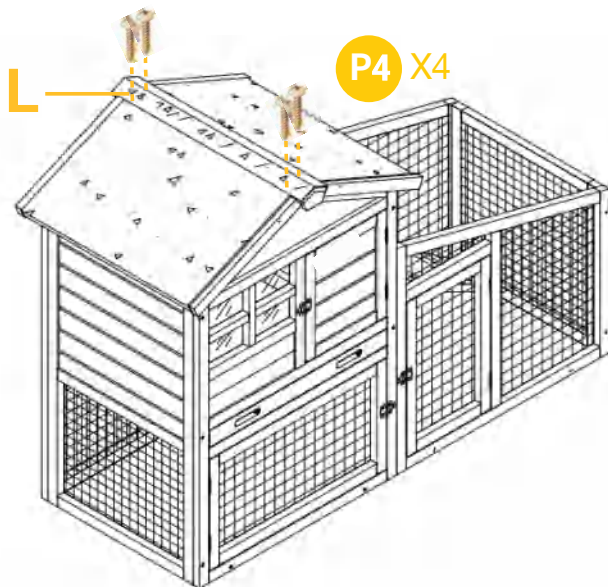


PRODUCT ASSEMBLY //

- 07** Attach 2Pcs of roof Part J to the hutch by 8xP3 screws.
Notice to level up the same line for two roofs.
Slide in the tray Part E.

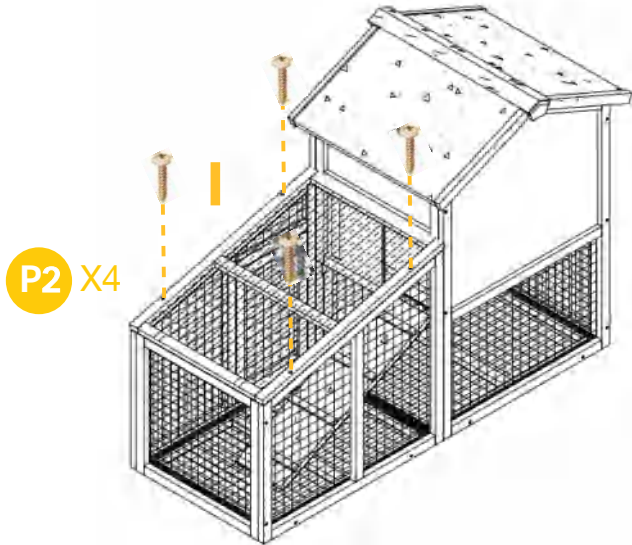


- 08** Screw the roof cap Part L by 4xP4 screws.

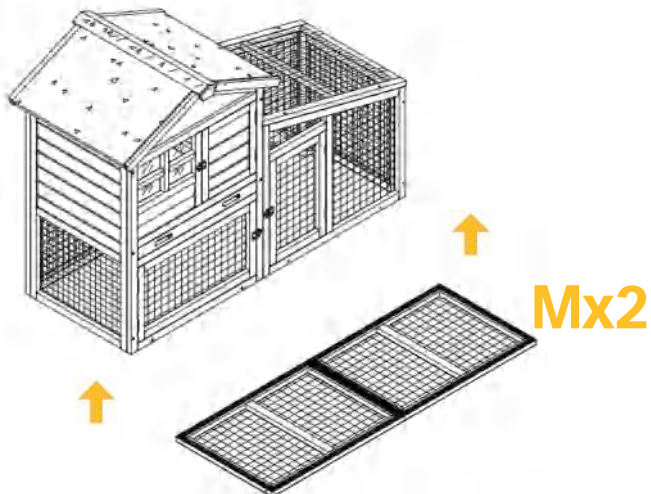


PRODUCT ASSEMBLY //

- 09** Attach the top cover of side pen Part I by 4xP2 screws.



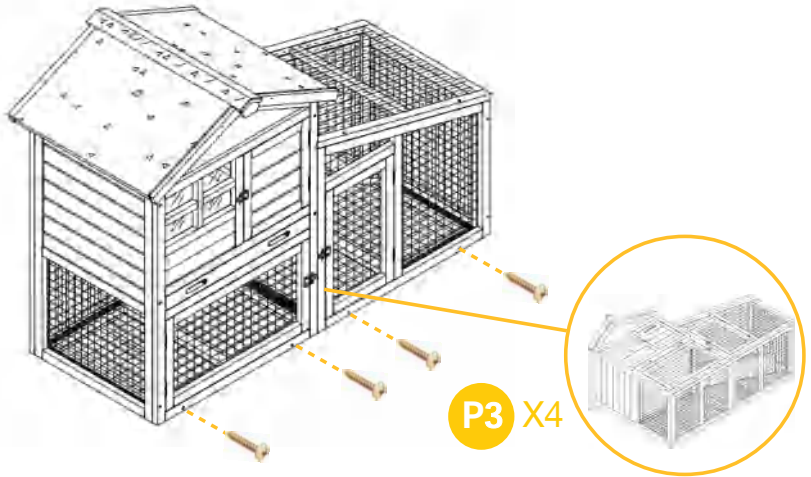
- 10** Put the whole hutch above the bottom wire netting 2xPart M to be direction to separate the urine & poop.



PRODUCT ASSEMBLY //

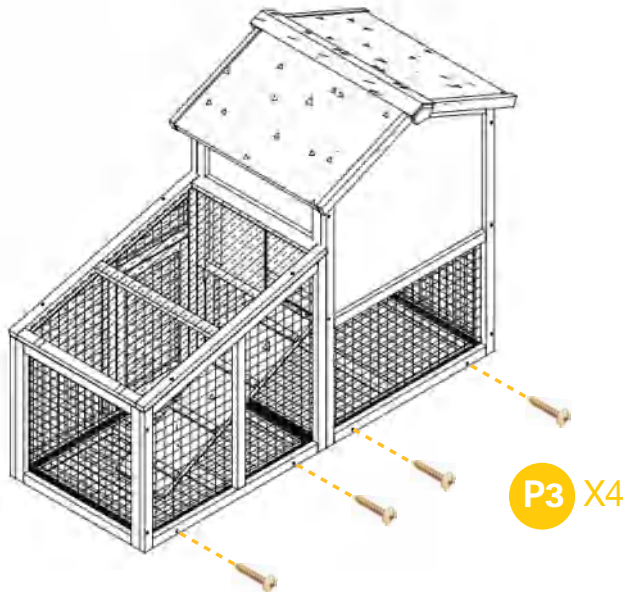
11

Screw the bottom wire netting to the front side by 4xP3 screws.



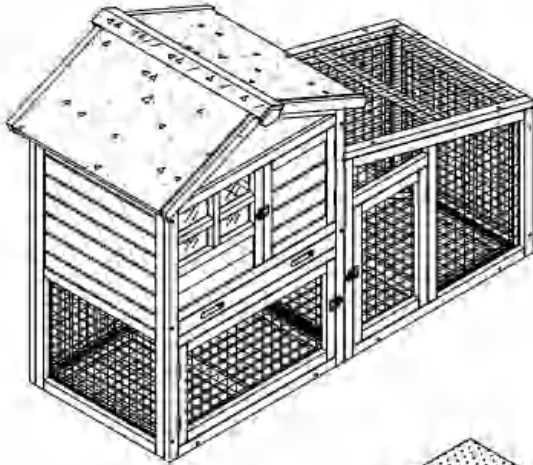
12

Screw the bottom wire netting to the back side by 4xP3 screws.

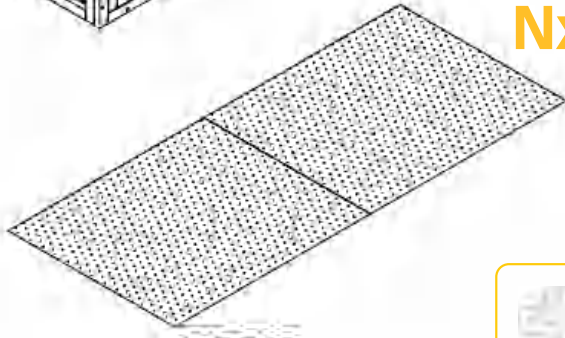


PRODUCT ASSEMBLY //

- 13** If you want to put the hutch indoor, just place the black plastic layer Part N on the bottom to make it super easy to clean.



Nx2





WARNING

Manufacturer and seller expressly disclaim any and all liability for personal injury, property damage or loss, whether direct, indirect, or incidental, resulting from the incorrect attachment, improper use, inadequate maintenance, or neglect of this product.