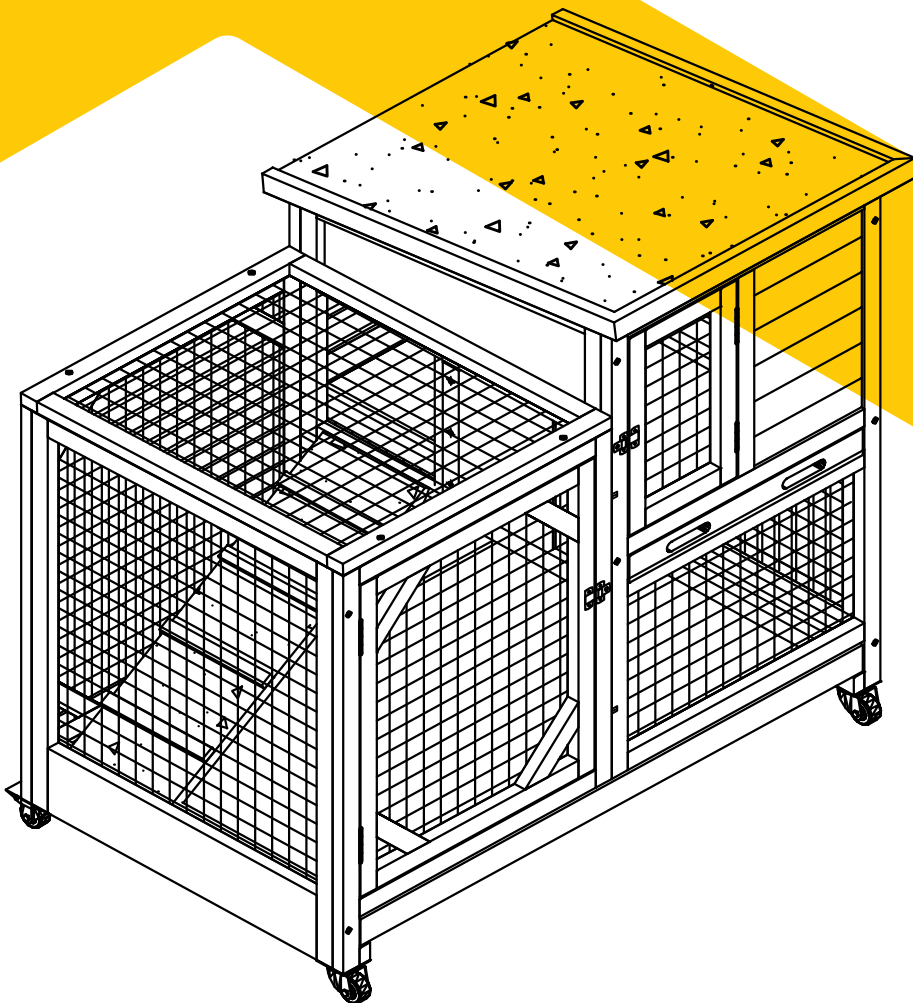


INSTRUCTION MANUAL

AIR 10





NOTICE

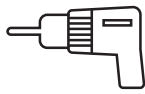
Please retain these instructions for future reference.

- Firmly secure all bolts, screws and knobs before use.
- Reconfirm that all bolts, screws, and knobs are secure every 90 days.
- Fasten screws loosely during initial assembly. Do not fully tighten screws until the item is completely assembled.
- Do not use or store this item in the proximity of open flame or flammable/combustible chemicals.
- Be aware that some parts are heavy and have sharp edges.
- Be aware that moving parts can injure, crush and cut.
- If any parts are missing, broken, damaged, or worn, stop using this product until repairs are made and/or factory replacement parts are installed.
- Do not use this item in a way inconsistent with the manufacturer's instructions as this could void the product warranty.

TOOLS REQUIRED //



PHILLIPS
SCREWDRIVER



DRILL
(RECOMMENDED)



2PERSON
ASSEMBLY



APPROXIMATELY
45MIN. ASSEMBLY

HARDWARE //

M3.5x50mm SCREW
4PCS+1 spare



P1

M3.5x40mm BOLT
18PCS+1 spare



P2

M3.5x25mm SCREW
16PCS+1 spare



P3

M3.0x16mm SCREW
14PCS+1 spare



P4

M3.0x10mm SCREW
2PCS+1 spare



P5

1PC



P6

1PC



P7

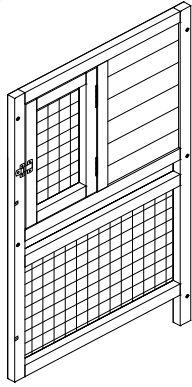
2PC



P8

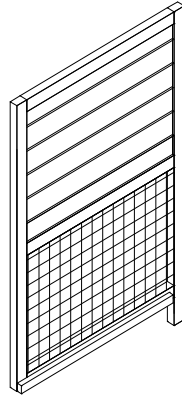
PARTS

Front panel of hutch
1PC



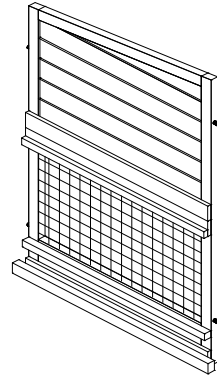
A

Back panel of hutch
1PC



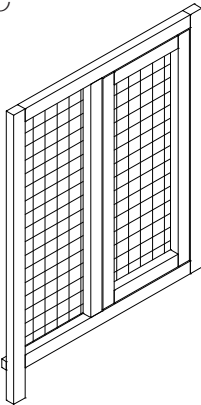
B

Right panel of hutch
1PC



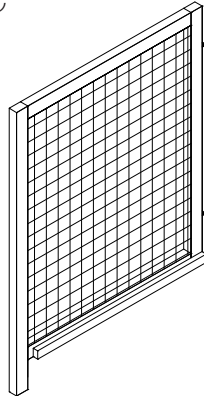
C

Front panel of pen
1PC



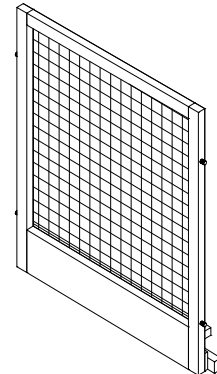
D

Back panel of pen
1PC



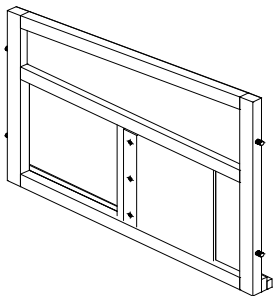
E

Left side panel of pen
1PC



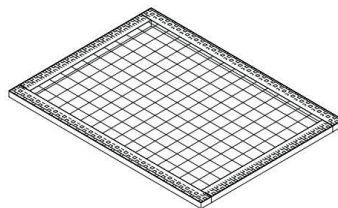
F

Divider panel
1PC



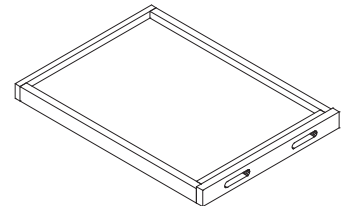
G

Bottom wire netting
2PCS



H

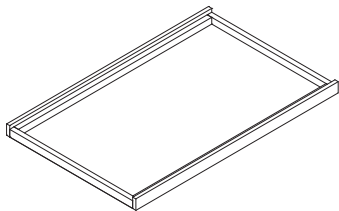
Upper tray
1PC



I

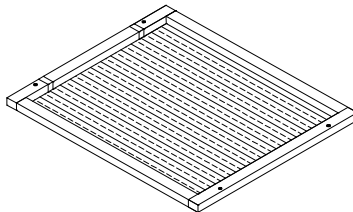
PARTS

Lower tray
1PC



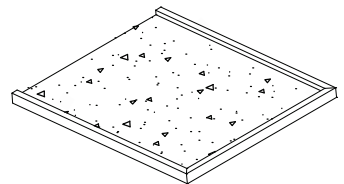
J

Pen roof - UV proof
1PC



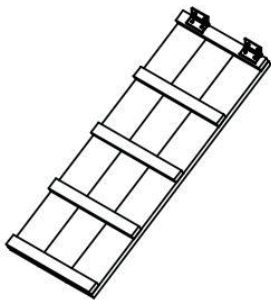
K

Hutch roof
1PC



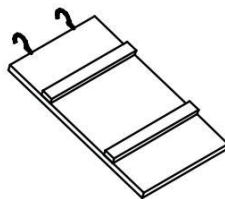
L

Ramp
1PC



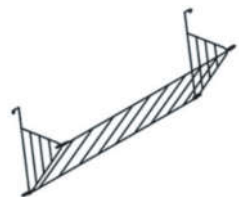
M

Small ramp outside the hutch
1PC



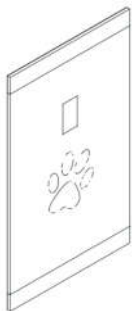
N

Folding metal feeder
1PC



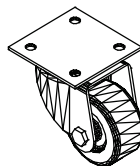
O

PVC curtain
1PC



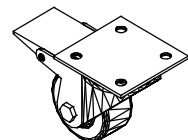
P

Casters without brake
2PCS



Q

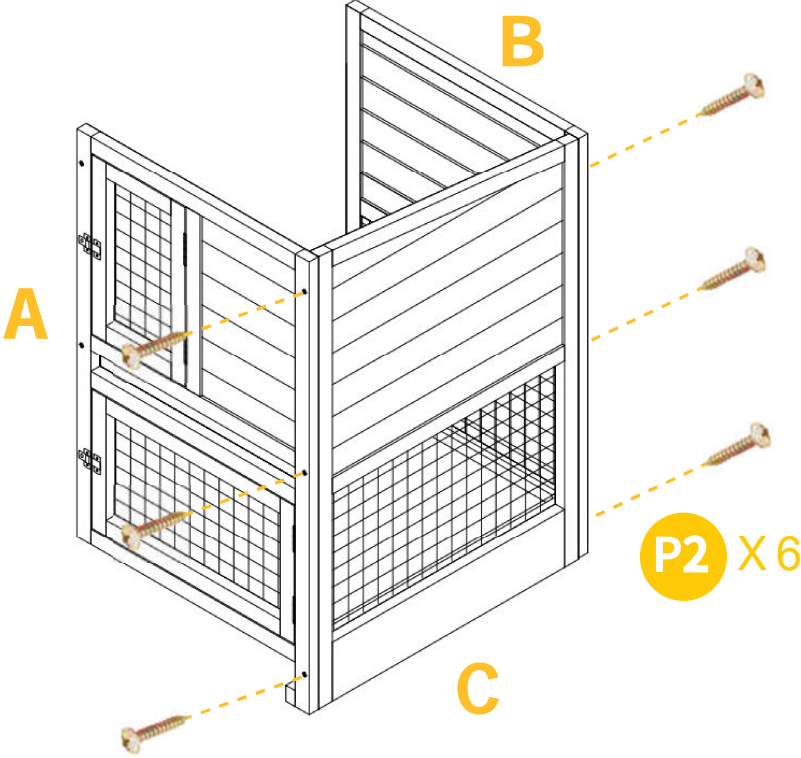
Brake casters
2PCS



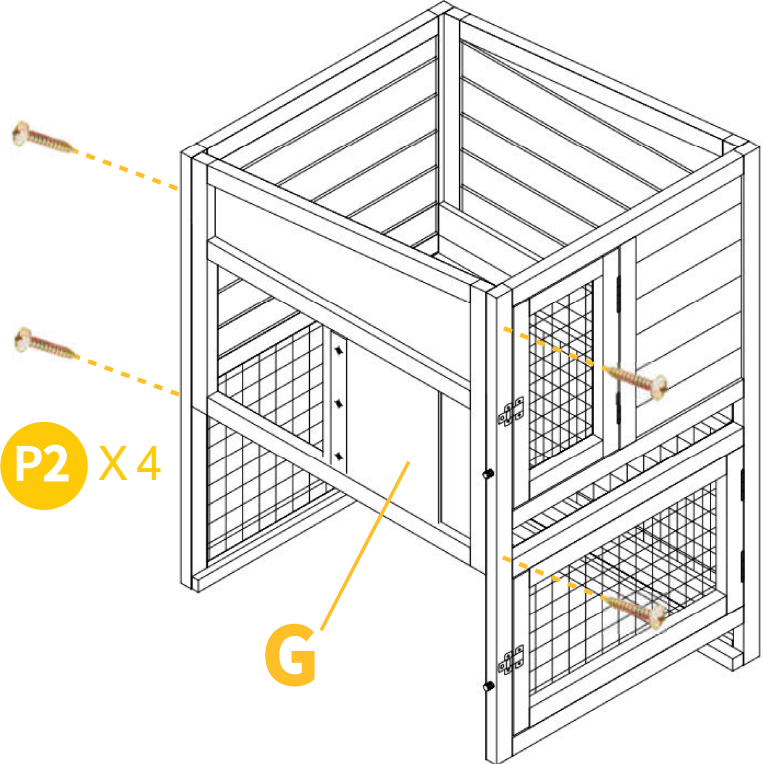
R

PRODUCT ASSEMBLY //

01 Attach Part A, Part B and Part C by 6pcs of P2 screws.

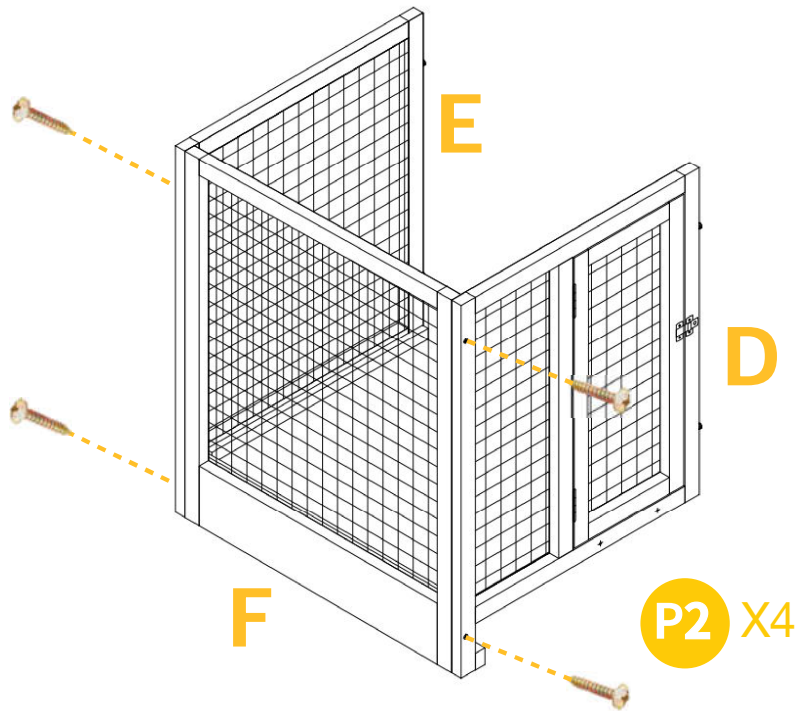


02 Attach Part G to Part A and Part B by 4pcs of P2 screws.

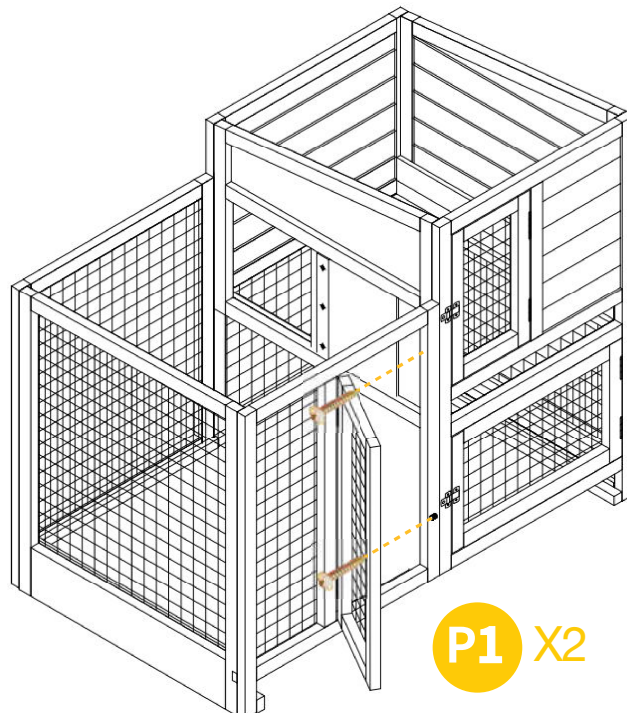


PRODUCT ASSEMBLY

03 Attach the pen Part D, Part E, Part F by 4pcs of P2 screws.

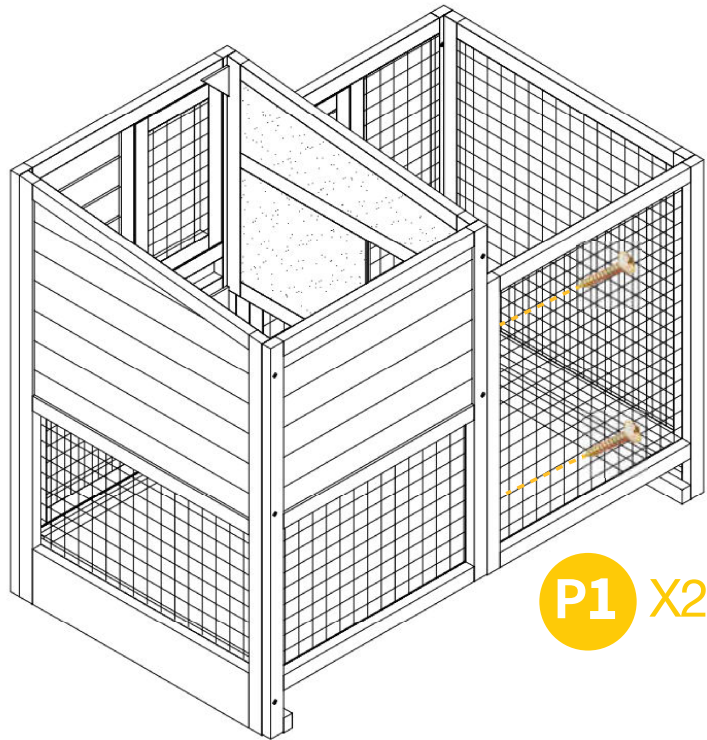


04 Attach the pen to hutch by 2pcs of P1 screws.

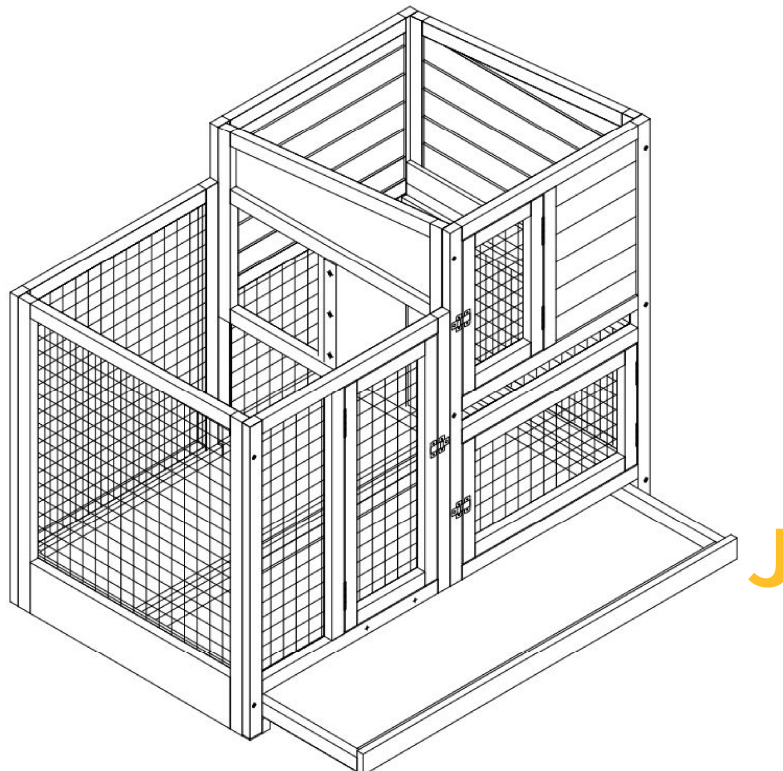


PRODUCT ASSEMBLY

05 Repeat on the other side.

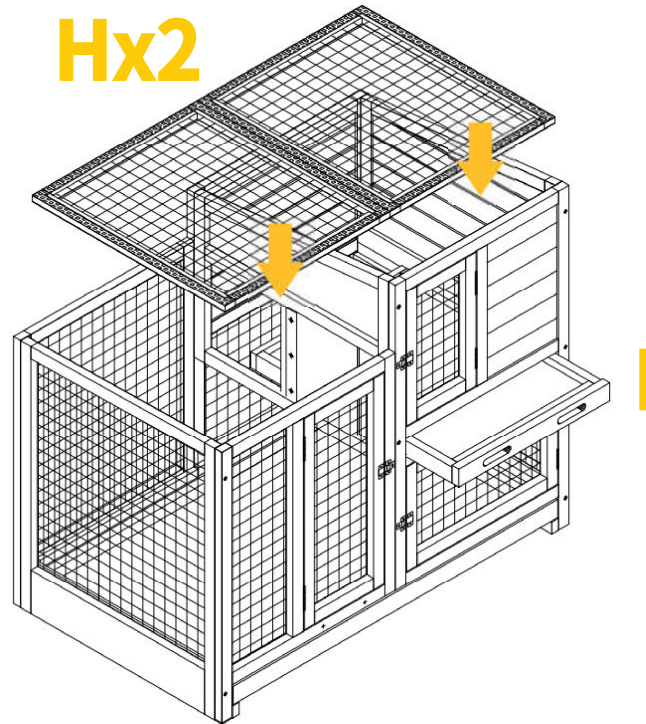


06 Slide in the tray Part J.

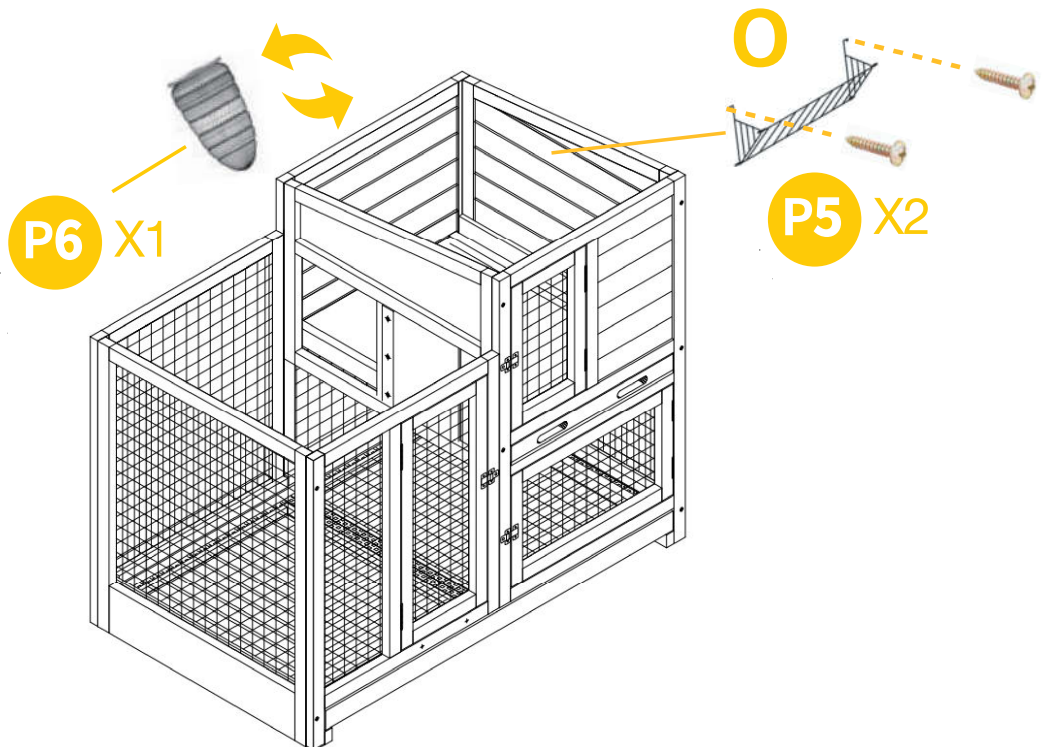


PRODUCT ASSEMBLY //

- 07** ① Put in 2pcs of Part H to be UPWARDS direction to separate the urine & poop.
② Then slide in the tray Part I.

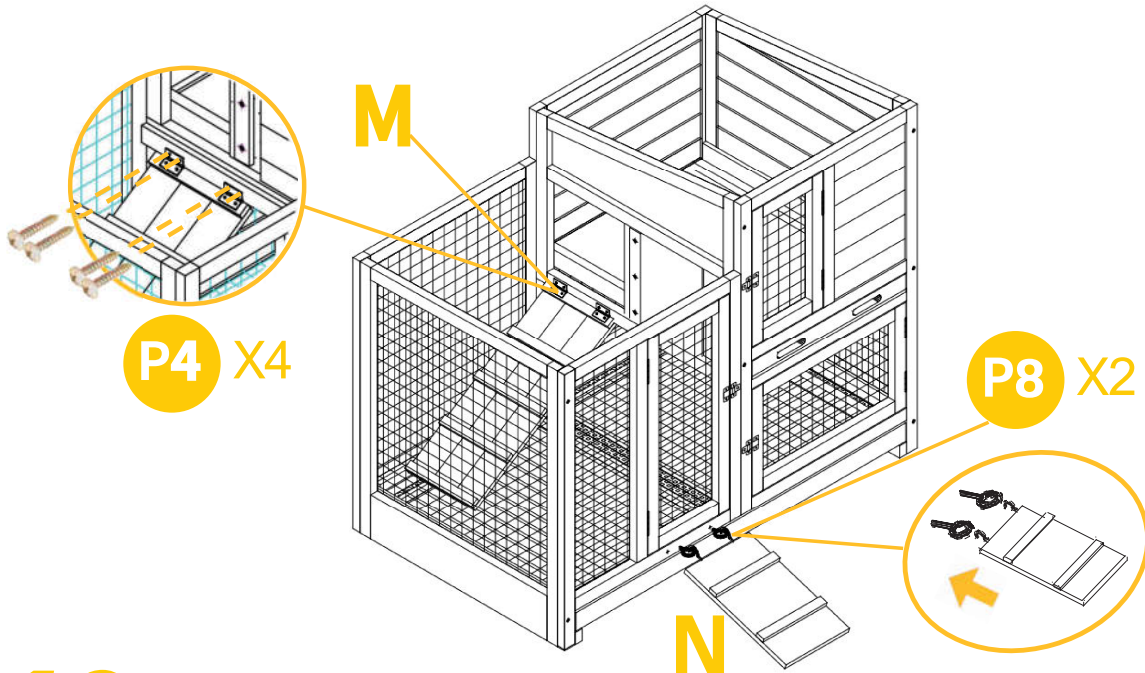


- 08** ① Screw the feeder to Part C by 2pcs of P5 screws.
② Then put in the rabbit chewing toy P6.

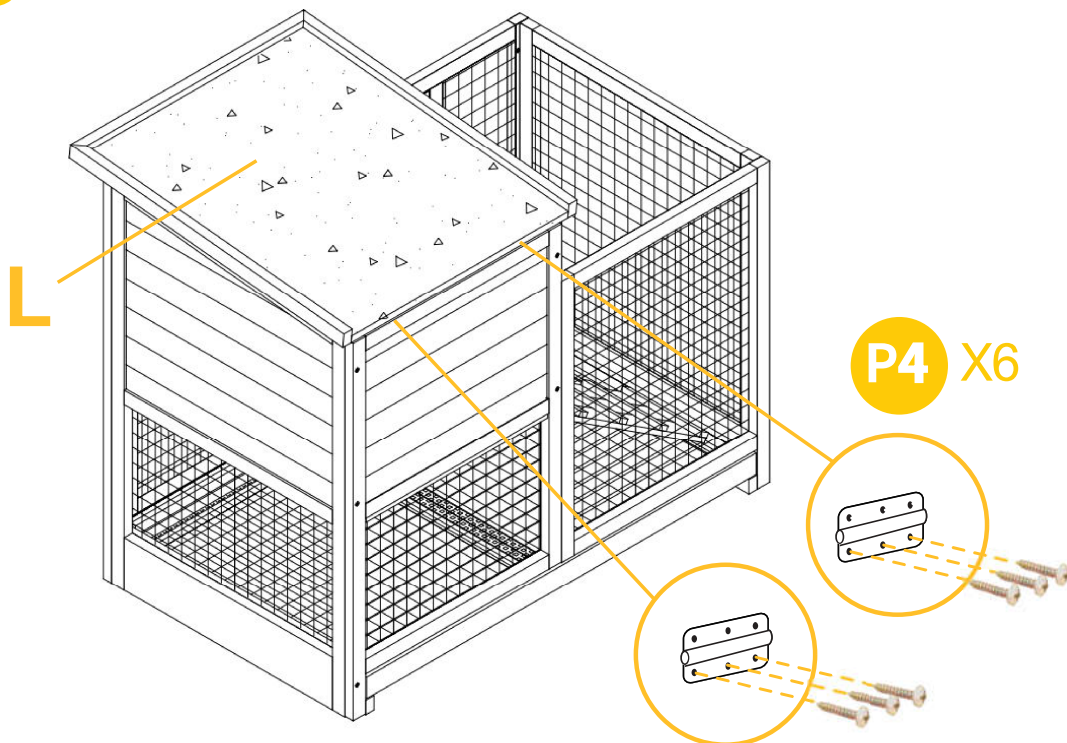


PRODUCT ASSEMBLY

- 09**
- ① Screw the ramp Part M to the bar on the Part G by 4pcs of P4 screws.
 - ② Screw 2pcs of eye hook P8 on the front door of pen. (The are pre-drilled holes to screw in)
Then hang with the front ramp. {Use only when needed}

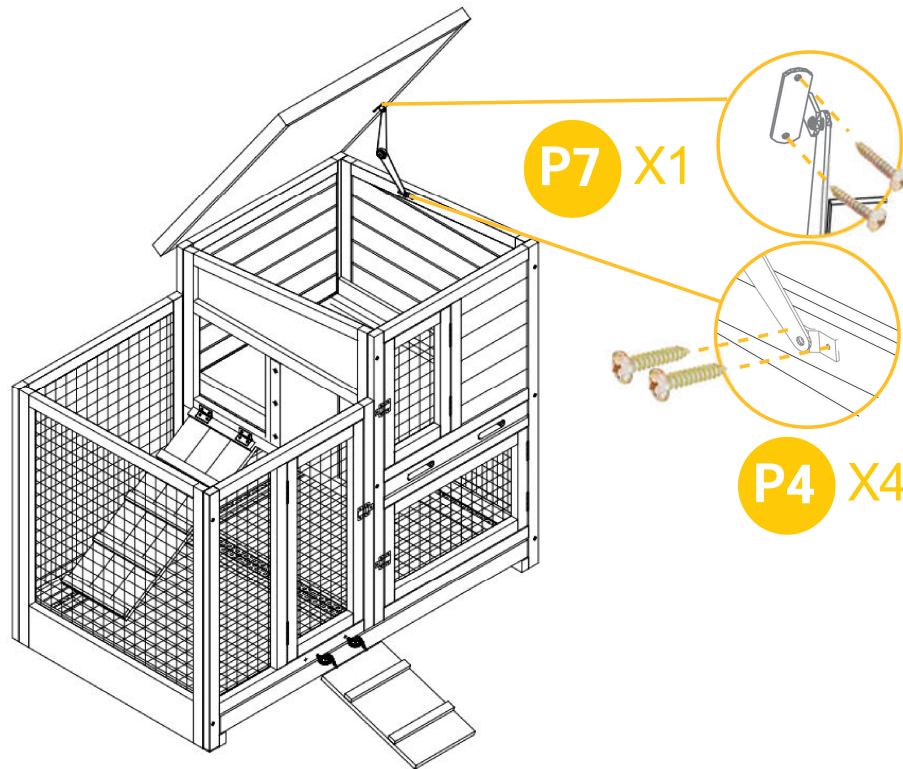


- 10** Screw the roof hinge to the back by 3pcs of P4 screws on each side.

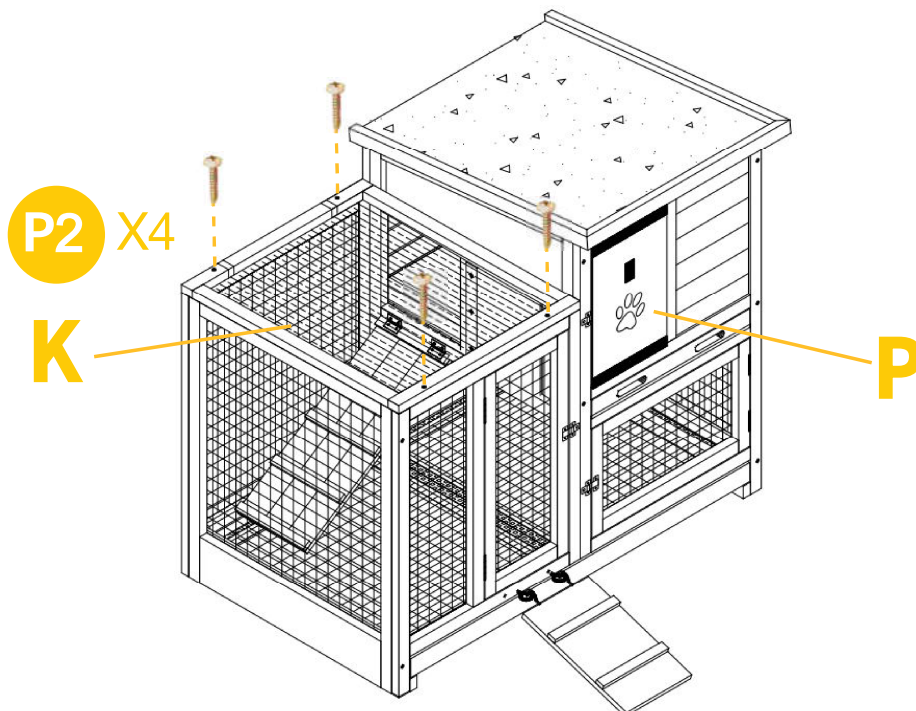


PRODUCT ASSEMBLY

- 11** Screw the roof hinge P7, one side to the roof by P4x2 the other side to the right panel by P4x2.

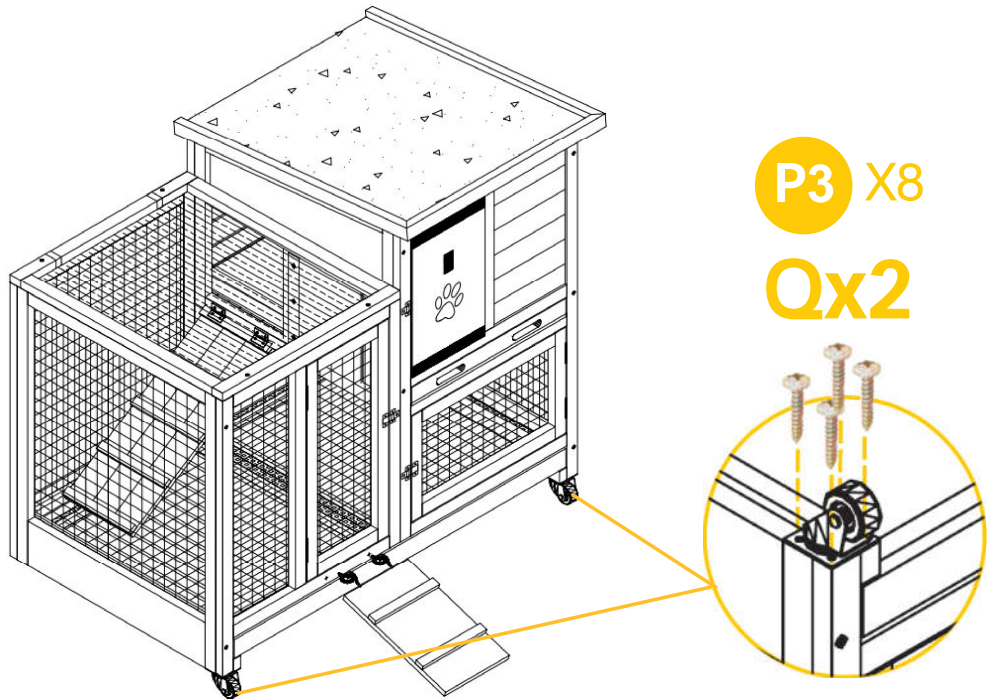


- 12** ① Attach the pen roof Part K by 4pcs of P2 screws.
② Stick PVC curtain "P" to the hutch door.

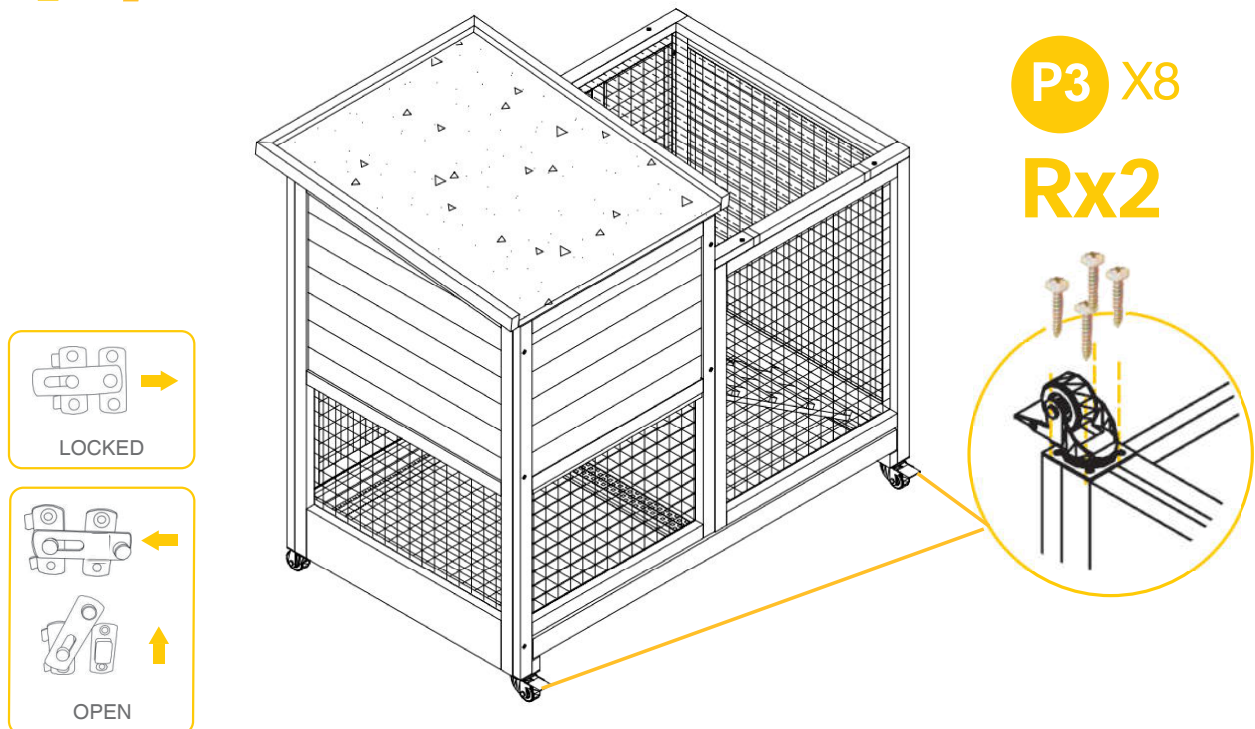


PRODUCT ASSEMBLY

- 13** Screw two casters without brake Part Q to the front of hutch legs by P3x8.



- 14** Screw two brake casters Part R to the back of hutch legs by P3x8.

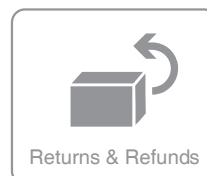
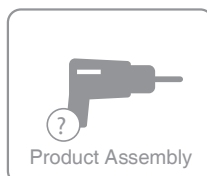
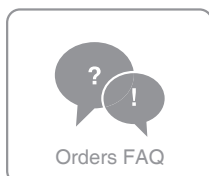


HELP CENTER //

Question about your product? we're here to help contact us via



service@aivituvin.com



THANK YOU //

Thanks for your support to Aivituvin.

Your satisfaction is our #1 priority.

Once the items are received, opened, and deemed to be faulty or other problems.

Pls contact us at ***service@aivituvin.com*** for the solution.

We will feedback to you within 24 hours.

If you are happy with the shopping ,welcome to share photos and thoughts with others .



WARNING

Manufacturer and seller expressly disclaim any and all liability for personal injury, property damage or loss, whether direct, indirect, or incidental, resulting from the incorrect attachment, improper use, inadequate maintenance, or neglect of this product.