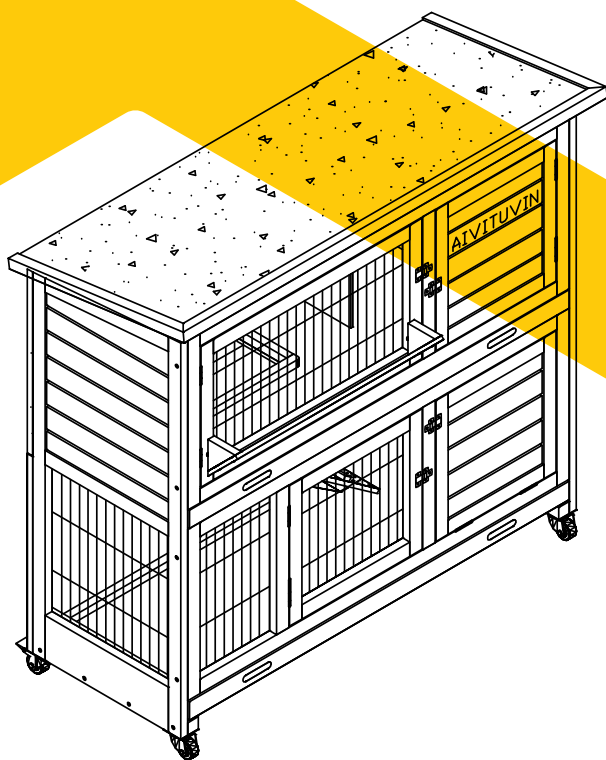


# INSTRUCTION MANUAL

AIR06-B



 aivituvin

[www.aivituvin.com](http://www.aivituvin.com)





## NOTICE

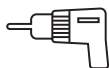
Please retain these instructions for future reference.

- Firmly secure all bolts,screws and knobs before use.
- Reconfirm that all bolts,screws,and knobs are secure every 90 days.
- Fasten screws loosely during initial assembly. Do not fully tighten screws until the item is completely assembled.
- Do not use or store this item in the proximity of open flame or flammable/combustible chemicals.
- Be aware that some parts are heavy and have sharp edges.
- Be aware that moving parts can injure,crush and cut.
- If any parts are missing,broken,damaged,or worn,stop using this product until repairs are made and/or factory replacement parts are installed.
- Do not use this item in a way inconsistent with the manufacturer's instructions as this could void the product warranty.

## TOOLS REQUIRED //



PHILLIPS  
SCREWDRIVER



DRILL  
(RECOMMENDED)



2PERSON  
ASSEMBLY



APPROXIMATELY  
45MIN. ASSEMBLY

## HARDWARE //

M3.5x45mm SCREW  
8PCS+1spare



P1

M3.5x35mm SCREW  
12PCS+1spare



P2

M3.5x25mm SCREW  
20PCS+1spare



P3

M3.0x20mm SCREW  
4PCS+1spare



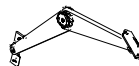
P4

M3.0x16mm SCREW  
16PCS+1spare



P5

Roof hinge  
2PCS



P6

Chewing toy  
1PCS



P7

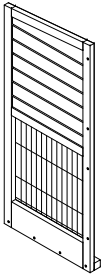
M4.0x20mm SCREW  
2PCS+1spare



P8

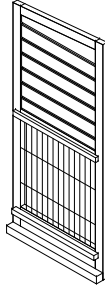
# PARTS

Left side panel  
1PC



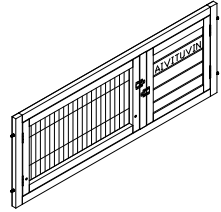
**A**

Right side panel  
1PC



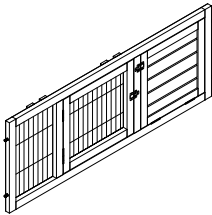
**B**

Front panel of upper area  
1PC



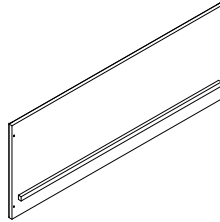
**C**

Front panel of down area  
1PC



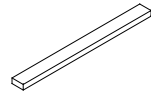
**D**

Back panel of down area  
1PC



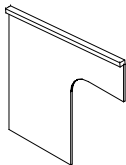
**E**

Tray supporting bars  
2PCS



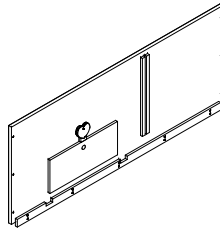
**F**

Divider  
1PC



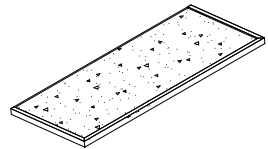
**G**

Back panel of upper area  
1PC



**H**

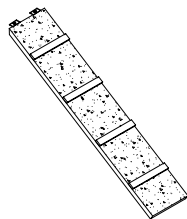
Roof  
1PC



**I**

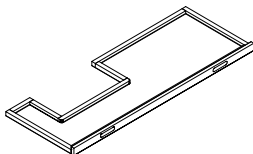
# PARTS //

Ramp  
1PC



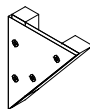
**J**

Tray  
1PC



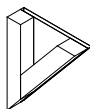
**K**

Left piece of feeder  
1PC



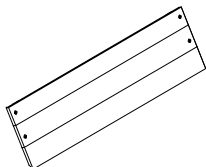
**L**

Right piece of feeder  
1PC



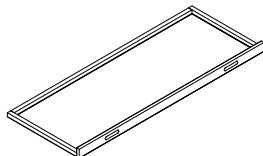
**M**

Front board of feeder  
1PC



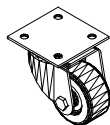
**N**

Bottom tray  
1PC



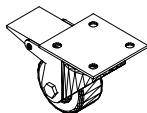
**O**

Casters without brake  
2PCS



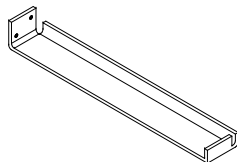
**P**

Brake casters  
2PCS



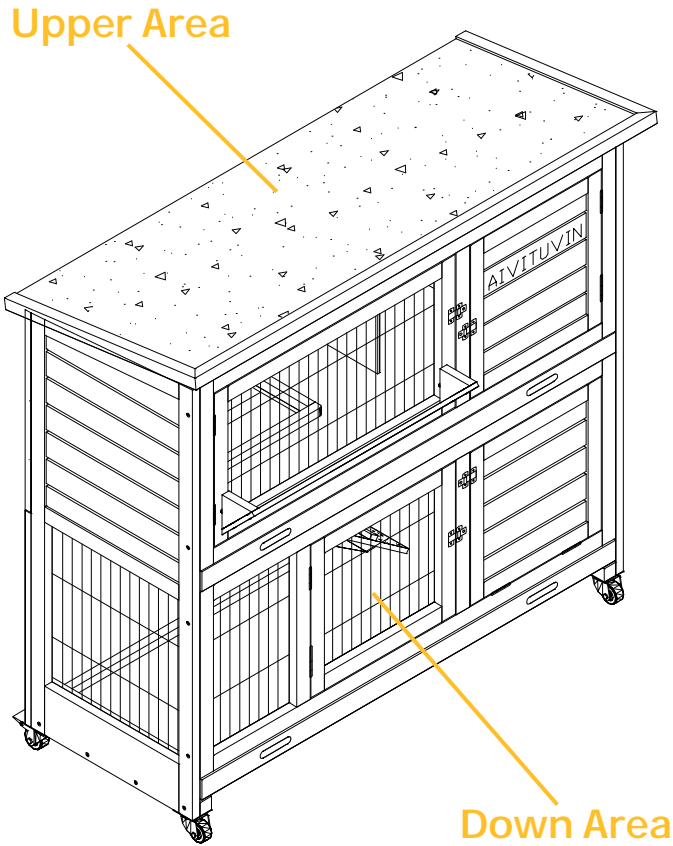
**Q**

Metal ramp supporting  
1PC



**R**

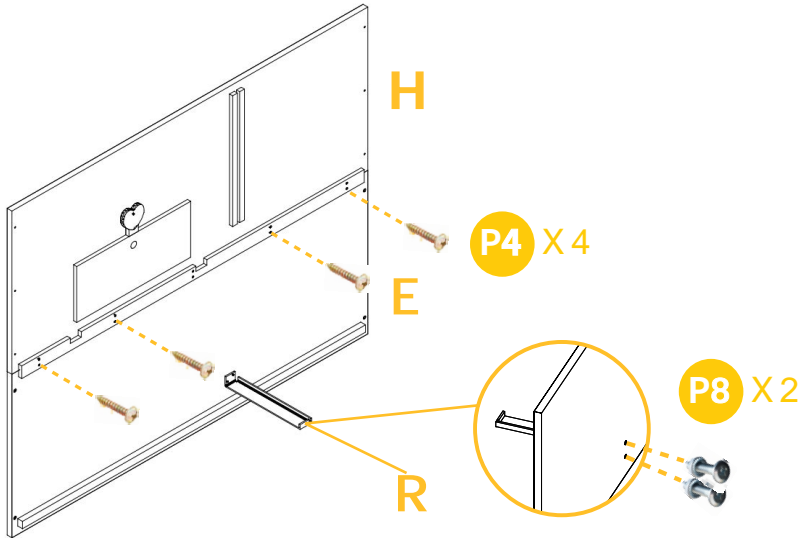
# PRODUCT ASSEMBLY



# PRODUCT ASSEMBLY //

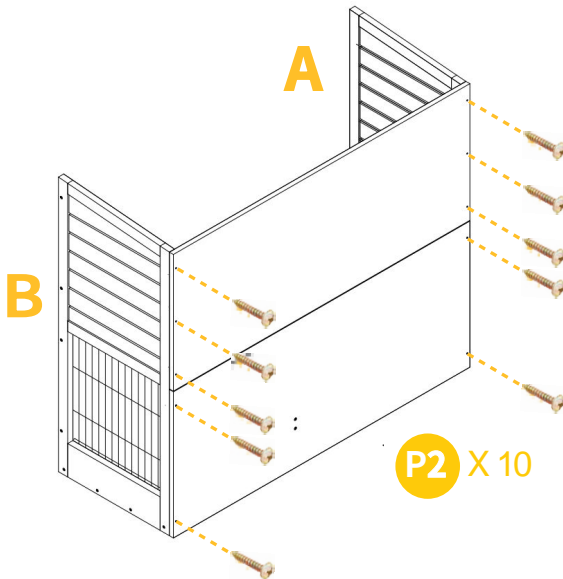
01

Attach back panel up Part H and down Part E by P4x4. Screw the ramp support Part R to the down Part E by P8x2 according to the predrill screw holes.



02

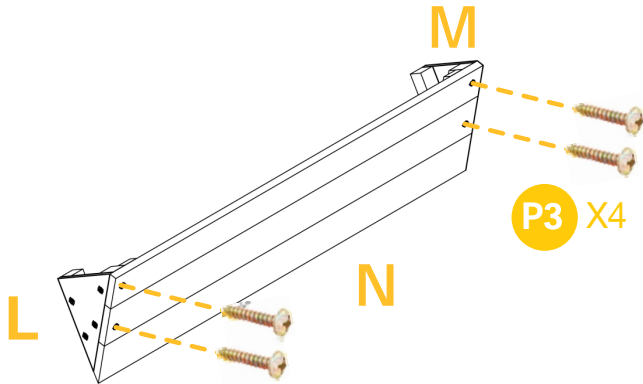
Attach two side panel Part A and Part B to the whole back panel by P2x10.



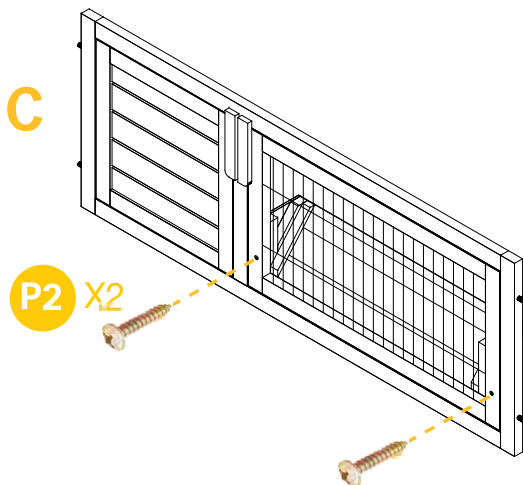


## PRODUCT ASSEMBLY //

**03** Attach the wooden feeder Part L, M and Part N by P3x4.

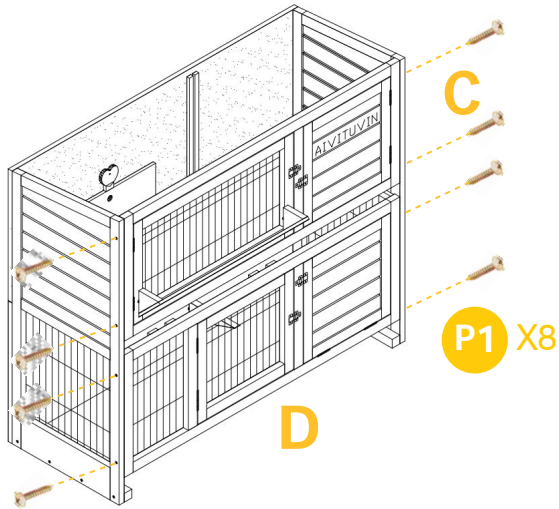


**04** Screw the wooden feeder into Part C from inner by P2x2.

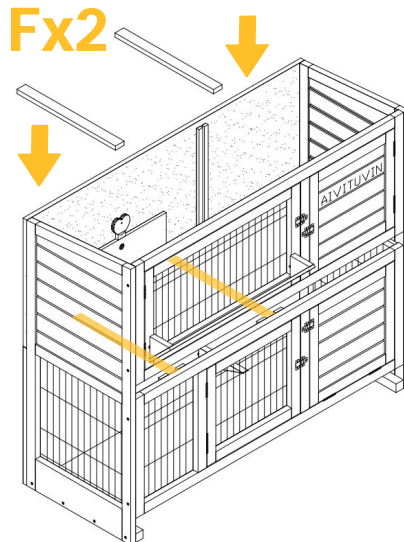


## PRODUCT ASSEMBLY //

**05** Attach the front panels Part C and Part D to the sides by P1x8.

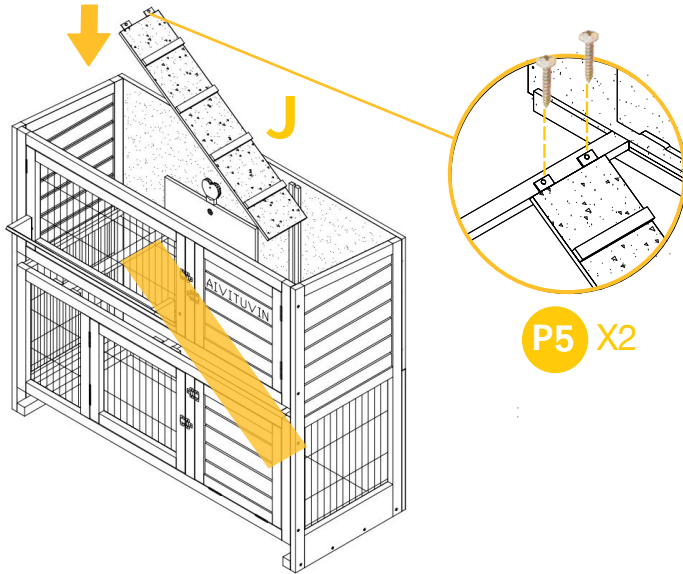


**06** Put down supporting bars 2pcs of Part F.

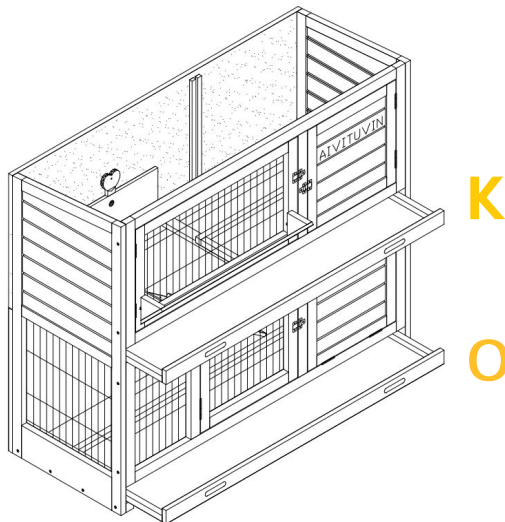


## PRODUCT ASSEMBLY //

**07** Screw the ramp Part J to the supporting bars by P5x2.



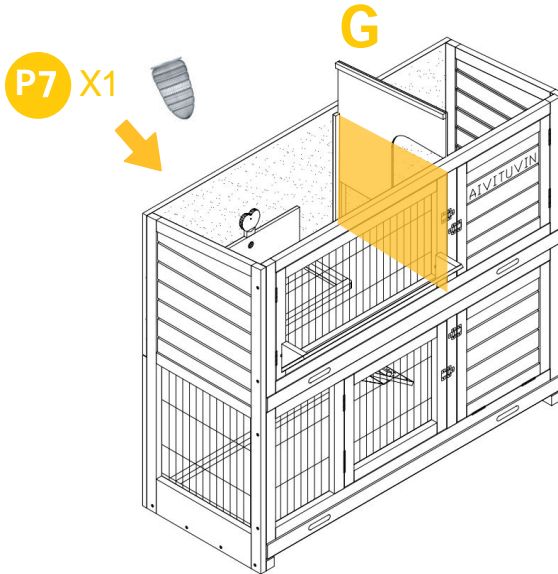
**08** Slide in the middle tray Part K and bottom tray Part O.



## PRODUCT ASSEMBLY //

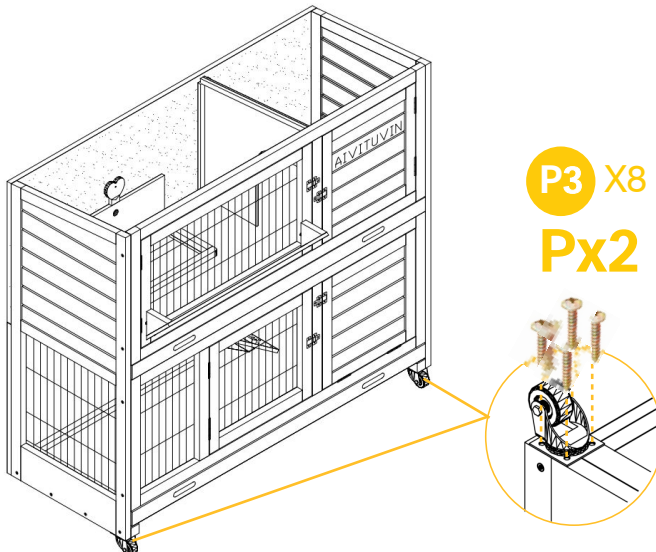
09

Put in the divider Part G as show on picture.  
Put in the chewing toy P7 in the cage wherver you want.



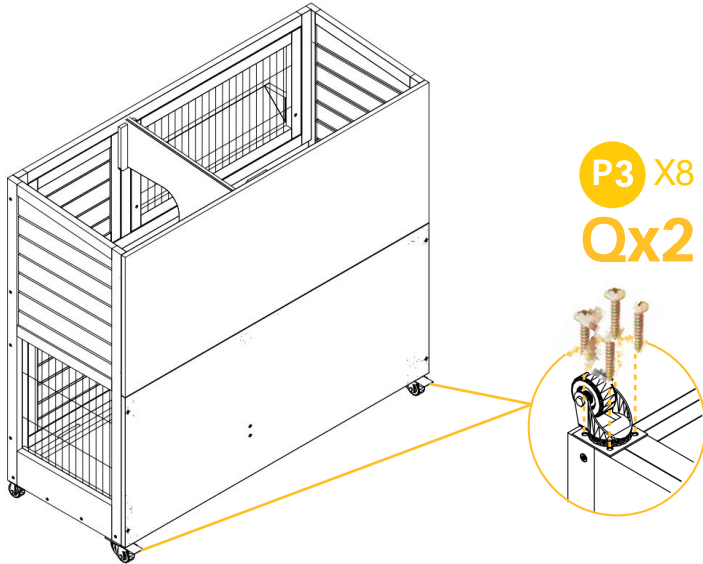
10

Screw two casters without brake Part P to the front of hutch legs by P3x4 each.

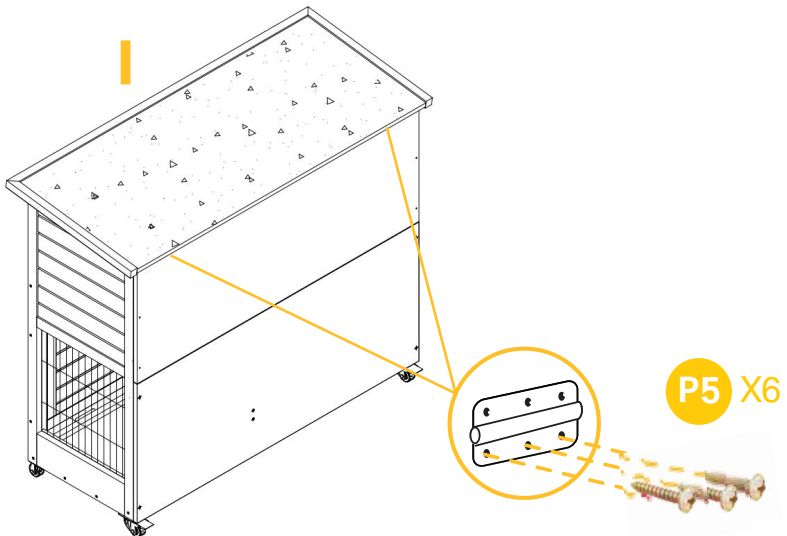


## PRODUCT ASSEMBLY //

- 11** Screw two brake casters Part Q to the back of hutch legs by P3x4 each.

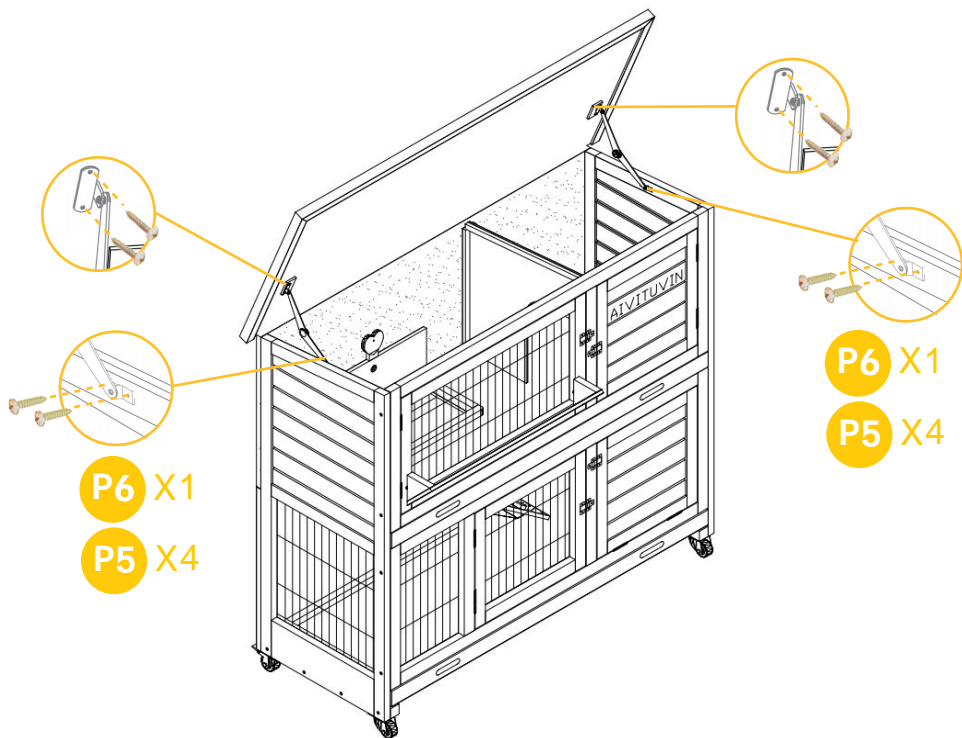


- 12** Attach the roof Part I to the back panel of hutch by P5x6.



## PRODUCT ASSEMBLY //

**13** Screw the roof hinge P6 to connect the roof and side panel by P5x4 each side.



Finish





**WARNING**

Manufacturer and seller expressly disclaim any and all liability for personal injury, property damage or loss, whether direct, indirect, or incidental, resulting from the incorrect attachment, improper use, inadequate maintenance, or neglect of this product.