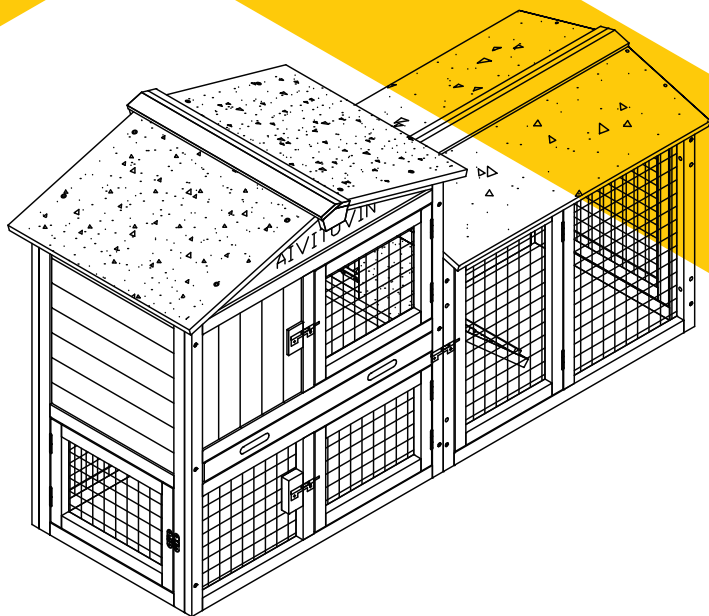


INSTRUCTION MANUAL

AIR 02



aivotuvin

www.aivotuvin.com



NOTICE

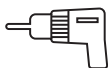
Please retain these instructions for future reference.

- Firmly secure all bolts,screws and knobs before use.
- Reconfirm that all bolts,screws,and knobs are secure every 90 days.
- Fasten screws loosely during initial assembly. Do not fully tighten screws until the item is completely assembled.
- Do not use or store this item in the proximity of open flame or flammable/combustible chemicals.
- Be aware that some parts are heavy and have sharp edges.
- Be aware that moving parts can injure,crush and cut.
- If any parts are missing,broken,damaged,or worn,stop using this product until repairs are made and/or factory replacement parts are installed.
- Do not use this item in a way inconsistent with the manufacturer' s instructions as this could void the product warranty.

TOOLS REQUIRED //



PHILLIPS
SCREWDRIVER



DRILL
(RECOMMENDED)



2PERSON
ASSEMBLY



APPROXIMATELY
45MIN. ASSEMBLY

HARDWARE //

M3.5x50mm SCREW
6PCS+1 spare



P1

M3.5x40mm SCREW
14PCS+1 spare



P2

M3.5x35mm SCREW
18PCS+1 spare



P3

M3.5x25mm SCREW
12PCS+1 spare



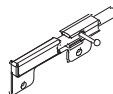
P4

M3.0x16mm SCREW
10PCS+1 spare



P5

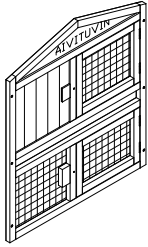
SPRING LATCH
3PCS



P6

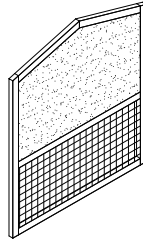
PARTS

Front panel of hutch
1PC



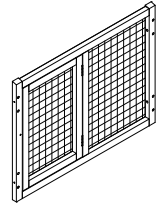
A

Back panel of hutch
1PC



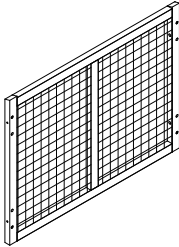
B

Front panel of pen
1PC



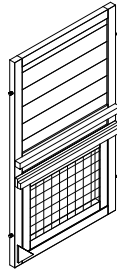
C

Back panel of pen
1PC



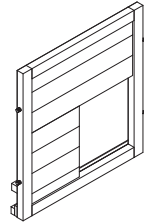
D

Side panel of hutch
1PC



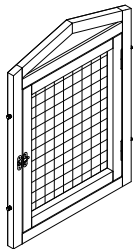
E

Middle access door panel
1PC



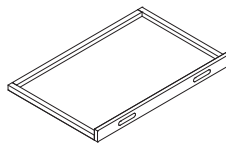
F

Side panel of pen
1PC



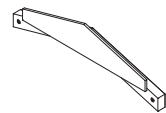
G

Plastic tray
1PC



H

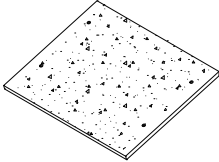
Splayed supporting bar
1PC



I

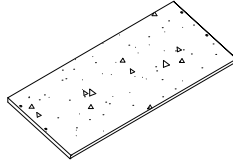
PARTS

Roof of hutch
2PCS



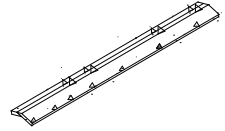
J

Roof of pen
2PCS



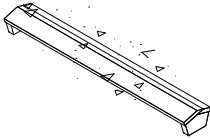
K

Roof cap of pen
1PC



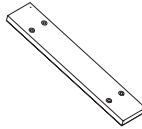
L

Roof cap of hutch
1PC



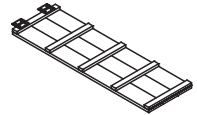
M

Roof connect slat (Only for
2 hutches combination, not
available for one hutch
owner)
1 PC

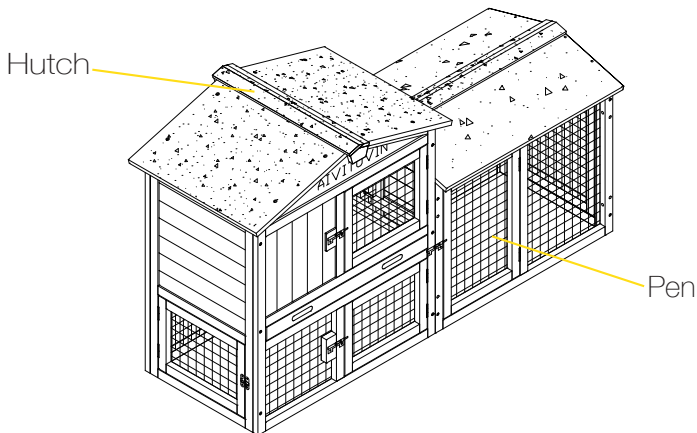


N

Ramp
1PC

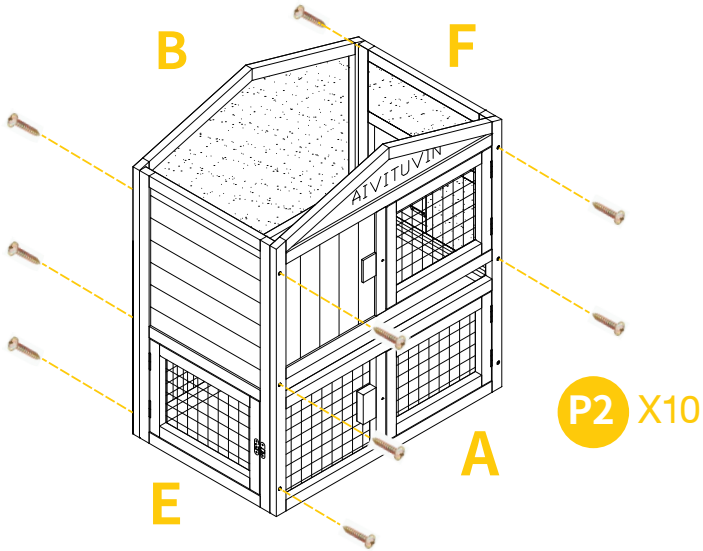


O

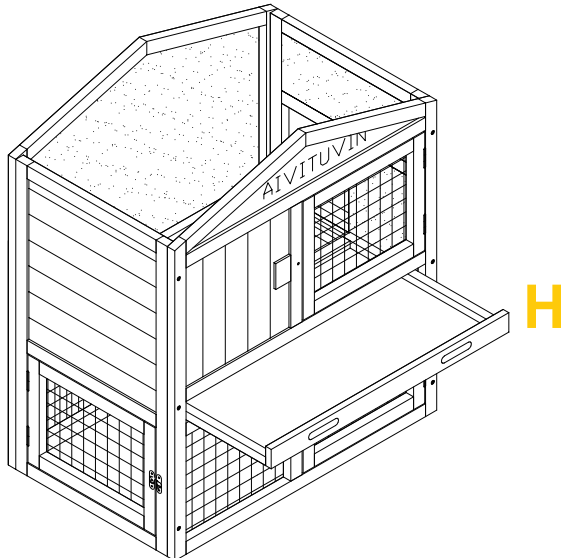


PRODUCT ASSEMBLY //

- 01** ① Attach the front Part A, the back Part B to Part E & F by 10xP2.
② Notice to align with the dowels.

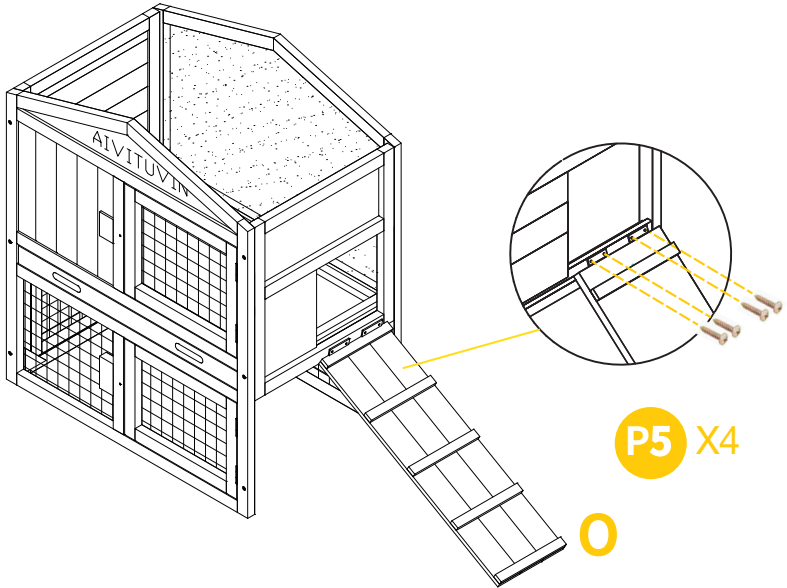


- 02** Slide in the plastic tray Part H.

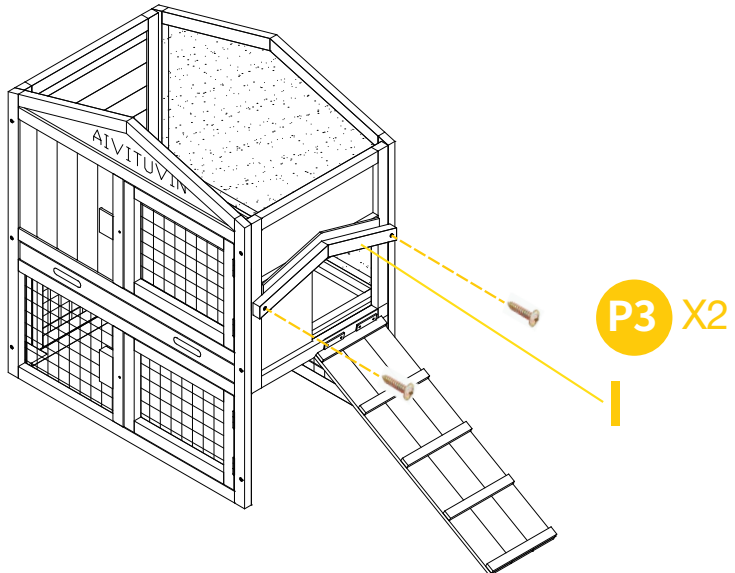


PRODUCT ASSEMBLY //

- 03** Screw the ramp Part O to the bottom half of lower panel on Part F by 4xP5.

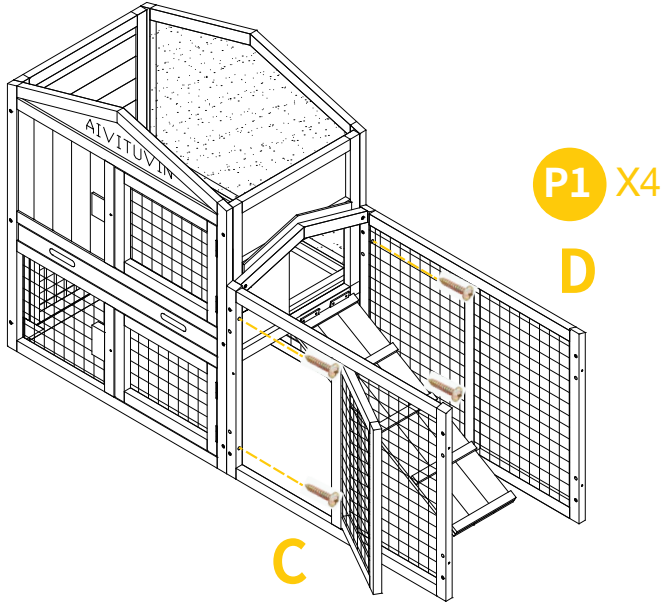


- 04** Screw the splayed supporting bar Part I by 2xP3.

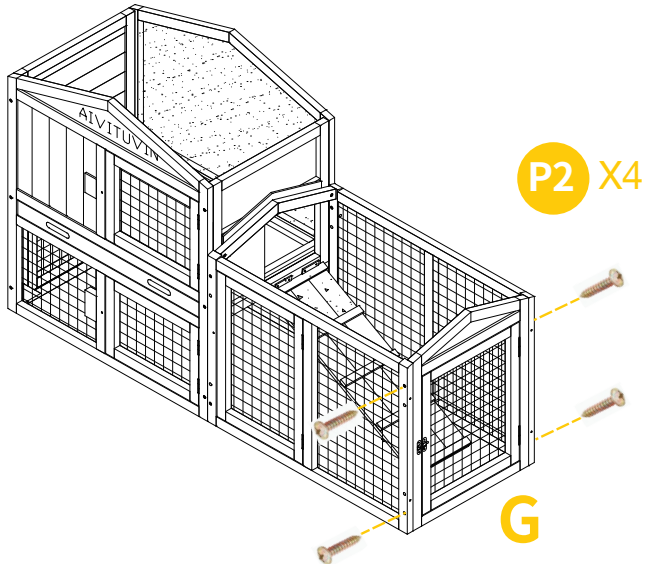


PRODUCT ASSEMBLY //

05 Attach the front and back pen panel Part C & D to the hutch by 4xP1.

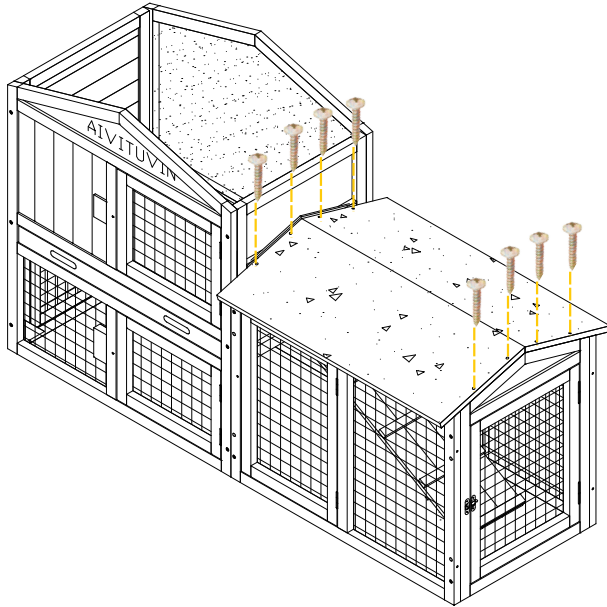


06 Attach the side pen Part G by 4xP2.

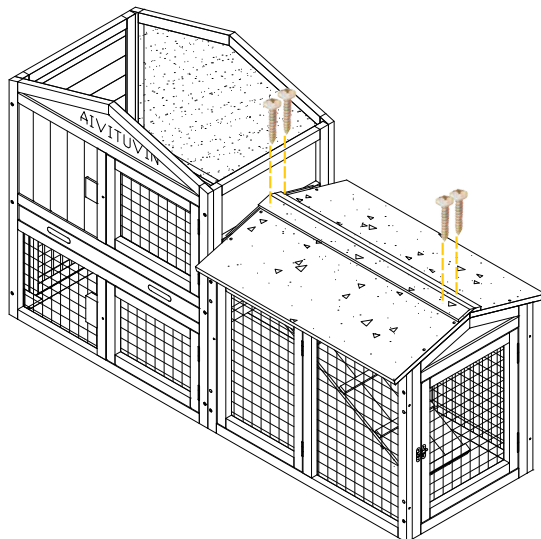


PRODUCT ASSEMBLY //

07 Screw the pen roof panels Part K to the pen by 8xP3.



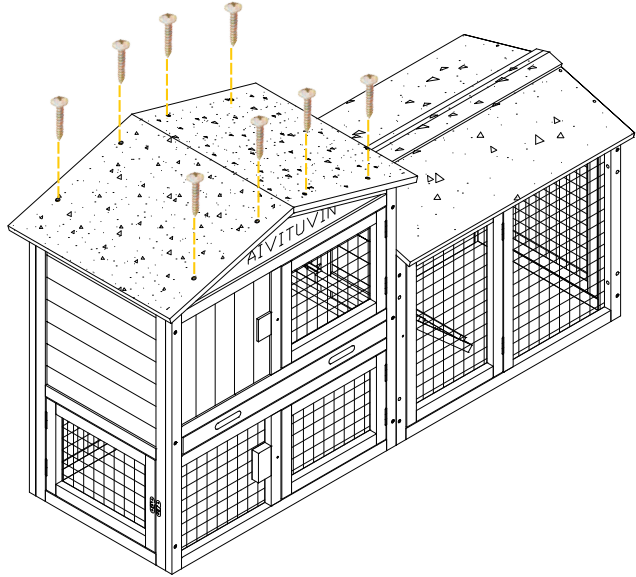
08 Ensure the top roof panels line up with each other before screwing Part L by 4xP4.



PRODUCT ASSEMBLY //

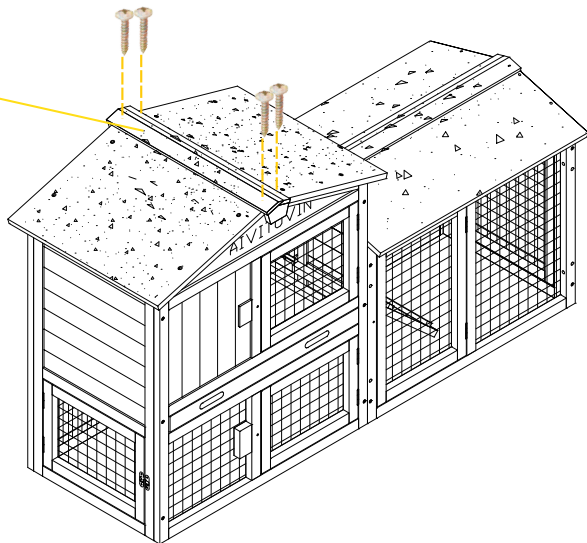
09 Screw the roof panels Part J to the hutch by 8xP3.

Jx2
P3 X8



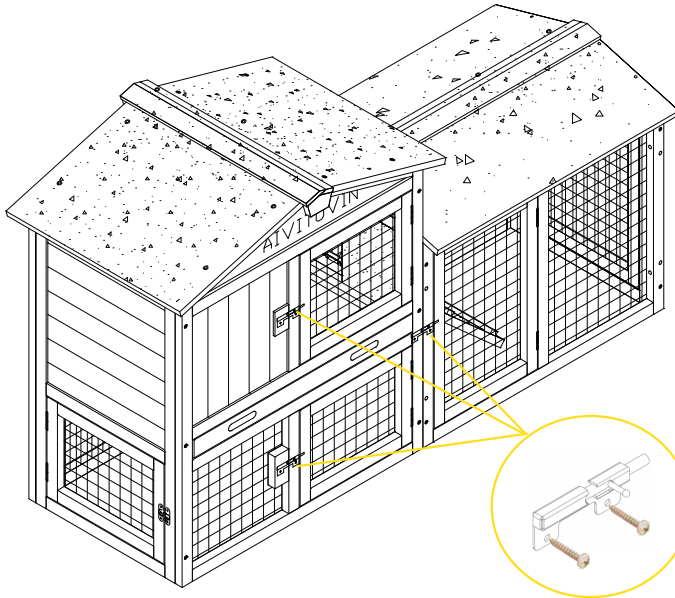
10 Ensure the top roof panels line up with each other before screwing Part M by 4xP4.

M
P4 X4



PRODUCT ASSEMBLY //

11 Attach the spring latch P6 to the doors by 2xP5 each.



P6 X3

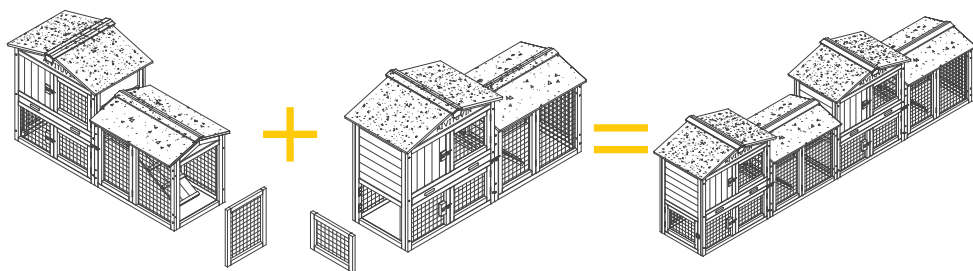
P5 X6

Notice

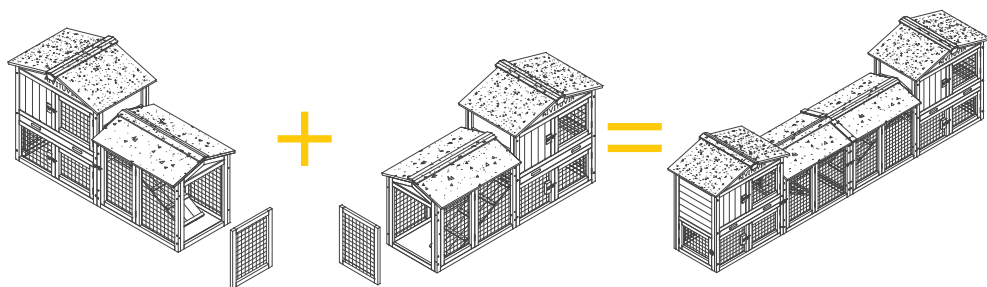
Read Before Assemble!

- ① Pls ignore the following for only one hutch owner !
- ② There are 2 different combinations for your optional choice.

Option 1



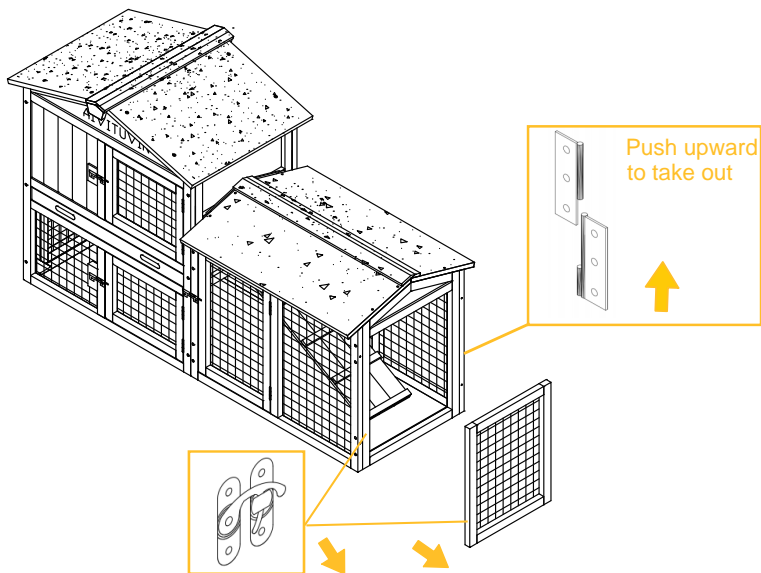
Option 2



OPTION 1

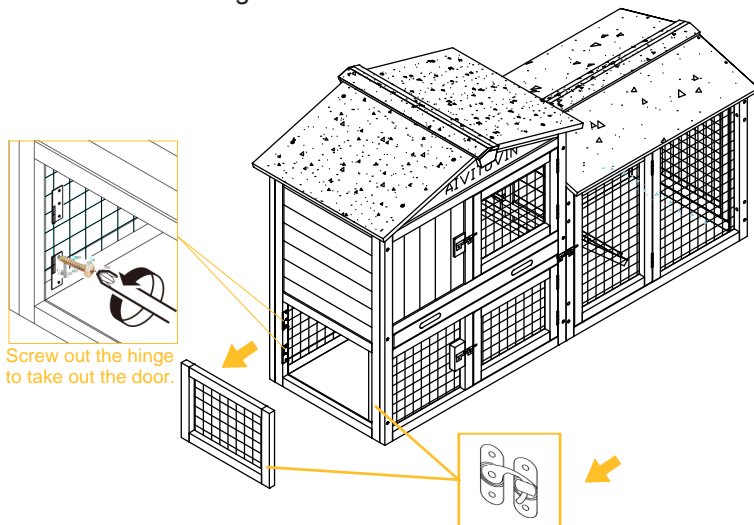
12

Take out the lock of 1st hatch.
Push upward the hinge to take out the door.



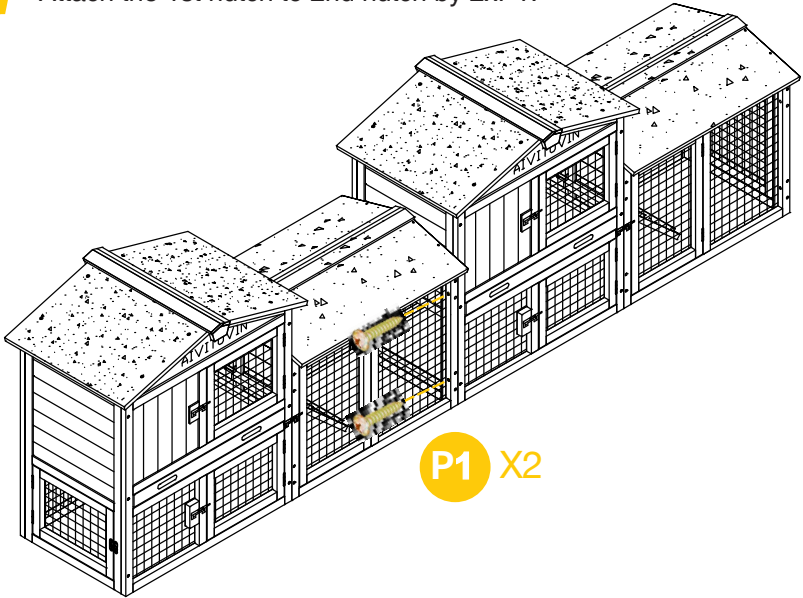
13

Repeat Step 1 to Step 11 to assemble 2nd hatch.
Take out the lock.
Screw out the hinge to take out the door of 2nd hatch.

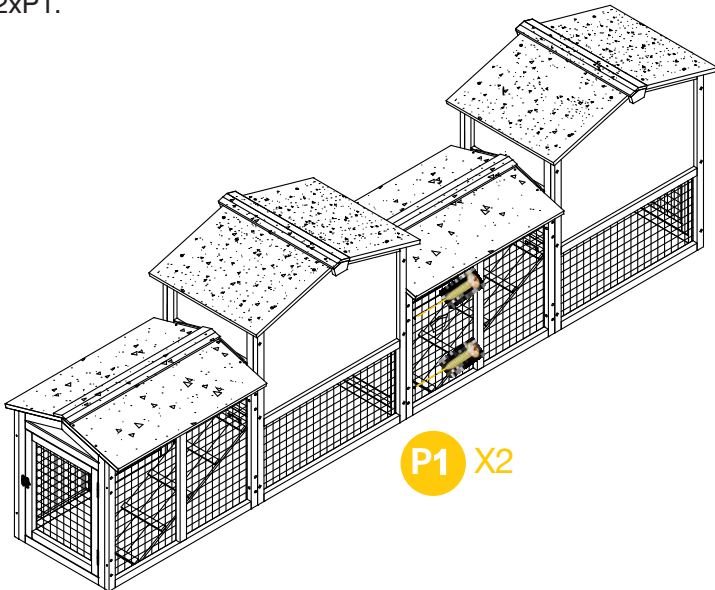


PRODUCT ASSEMBLY //

14 Attach the 1st hutch to 2nd hutch by 2xP1.



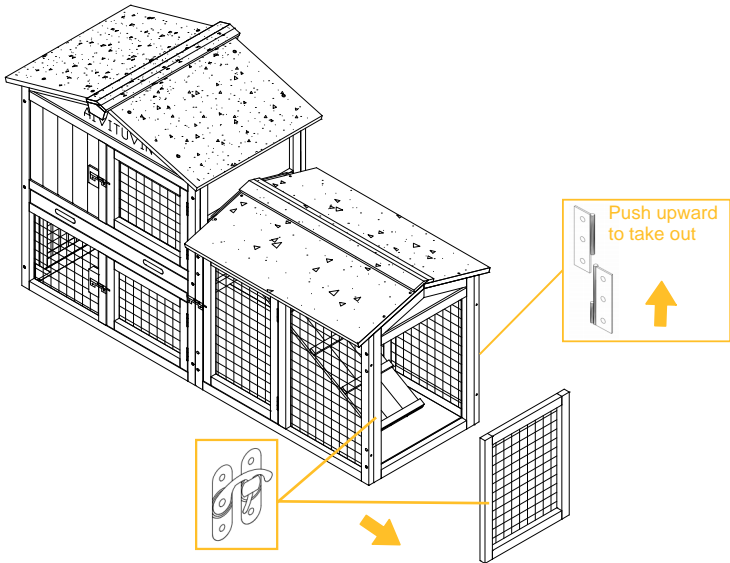
15 Repeat the combination assembly in the opposite side by 2xP1.



OPTION 2

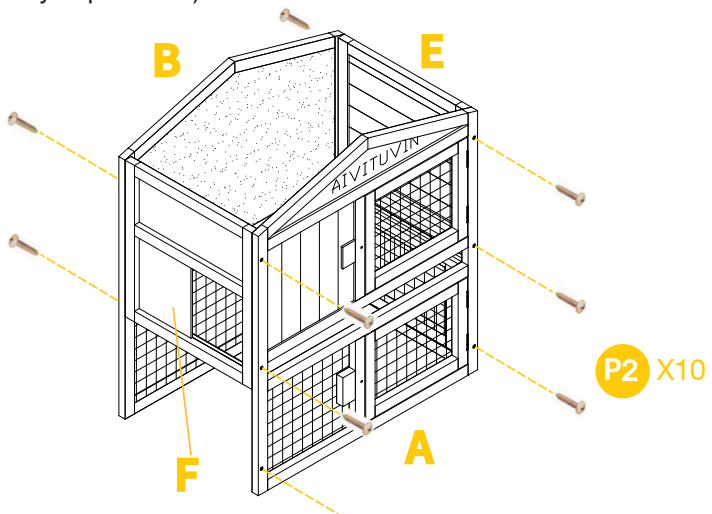
16

Take out the lock of 1st hutch.
Push upward the hinge to take out the door.



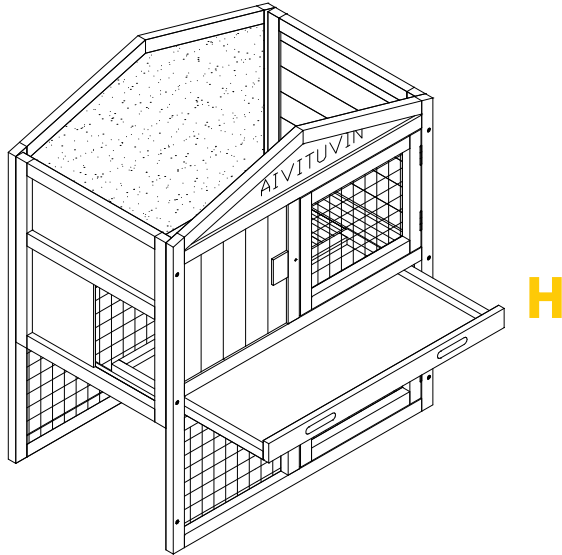
17

Attach the front Part A, the back Part B to the sides Part F & E by 10xP2.
Notice the direction of Part F & E is different with the 1st hutch (Very important !)

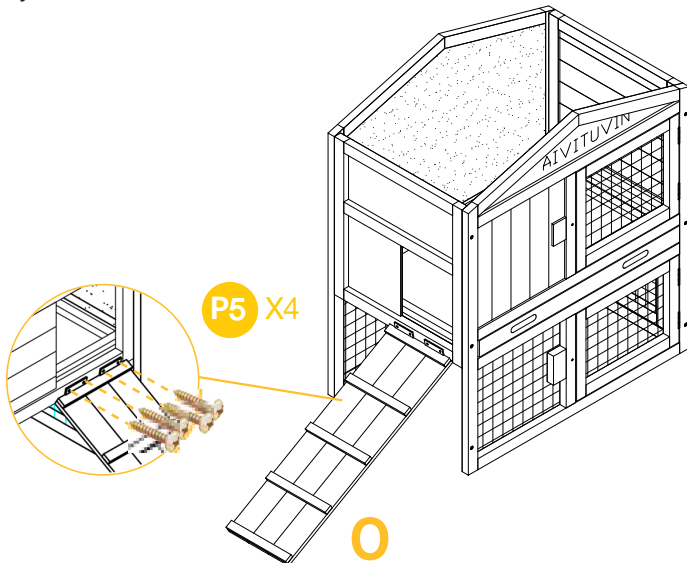


PRODUCT ASSEMBLY //

18 Slide in the plastic tray Part H.



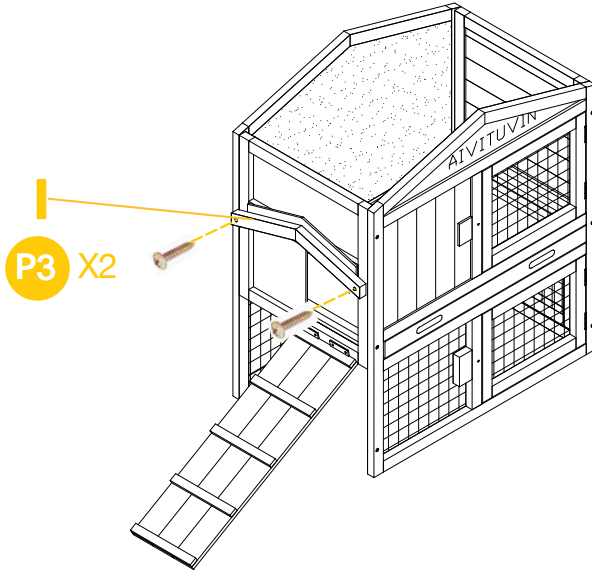
19 Screw the ramp Part O to the bottom half of lower panel on Part F by 4xP5.



PRODUCT ASSEMBLY //

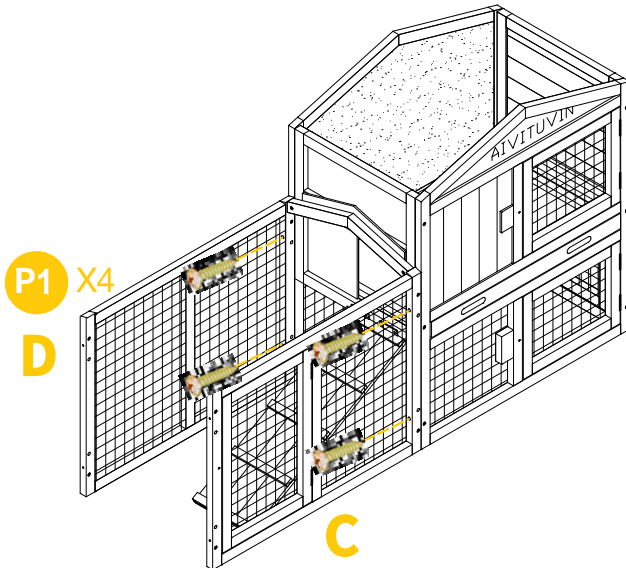
20

Screw the splayed supporting bar Part I by 2xP3.



21

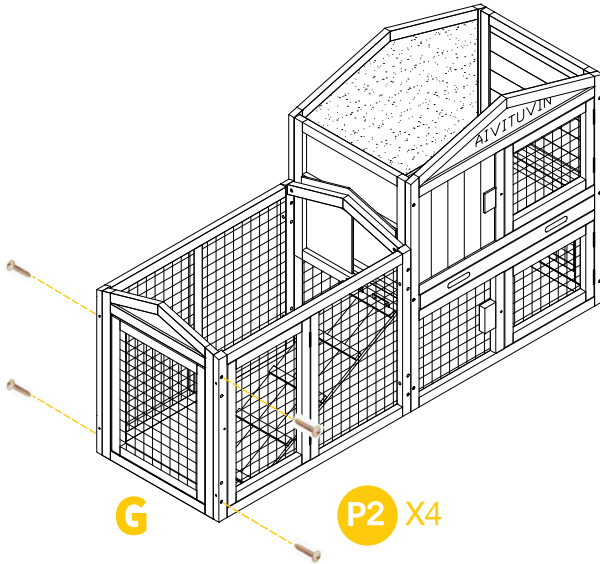
Attached the front and back pen panel Part C & D to the hutch by 4xP1.



PRODUCT ASSEMBLY //

22

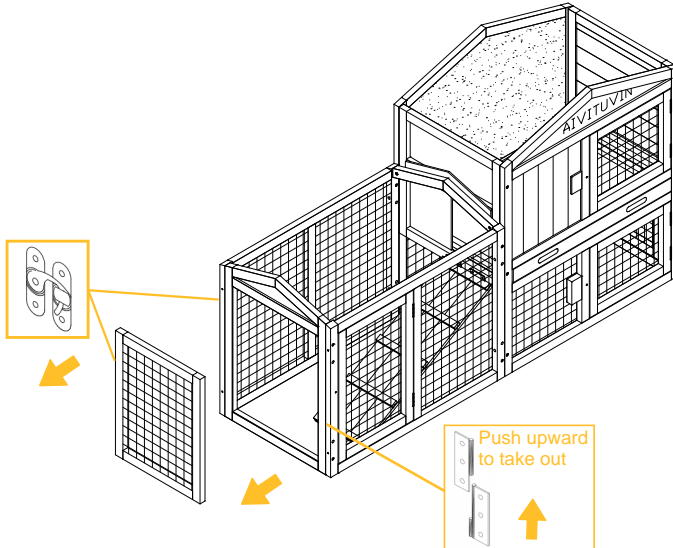
Attach the side panel Part G by 4xP2.



23

Take out the lock.

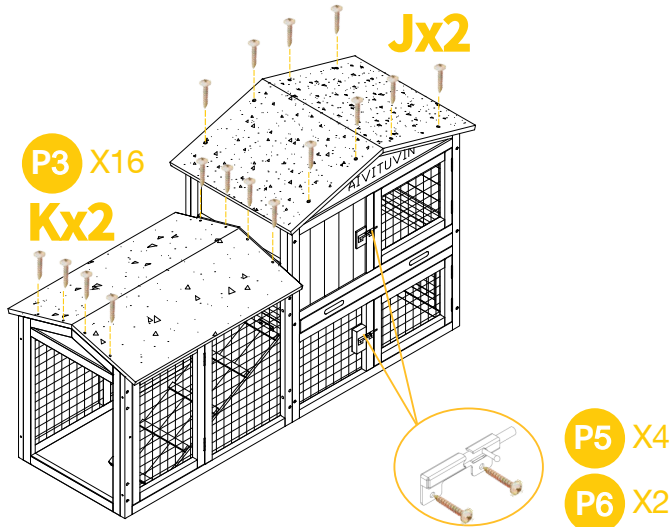
Push upward the hinge to take out the door.



PRODUCT ASSEMBLY //

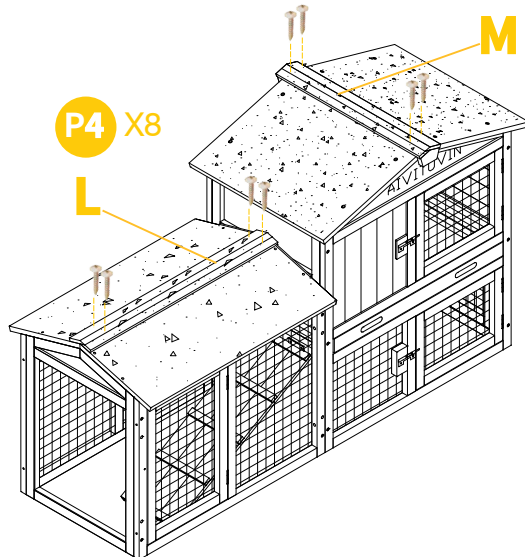
24

Screw the roof panels Part J & K to the hutch and pen by 8xP3 each.
Attach the spring latch P6 to the door by 2xP5 each.



25

Ensure the top roof panels line up with each other before screwing Part L & M by 4xP4 each. (Finish here for second hutch assemble) .



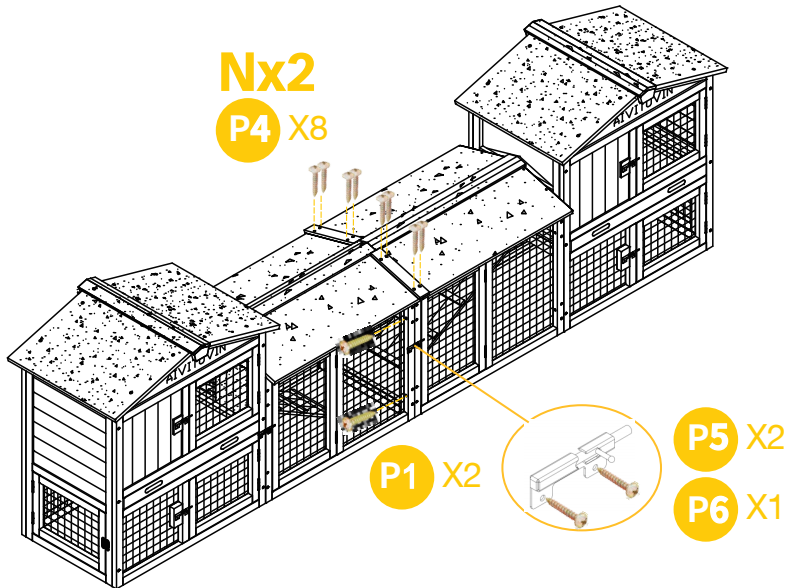
PRODUCT ASSEMBLY //

26

Attach the 1st hutch to 2nd hutch by 2xP1.

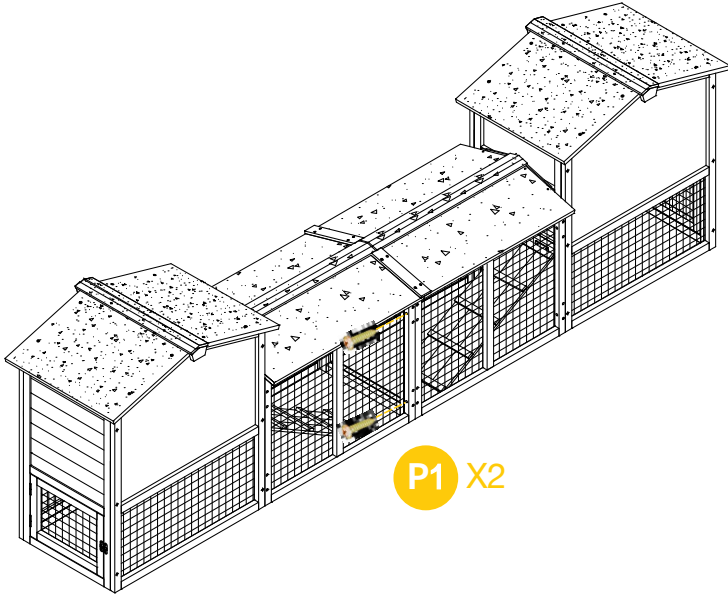
Attach the roof connect slat by 8xP4.

Attach the spring latch P6 the door by 2xP5.



PRODUCT ASSEMBLY //

27 Repeat the combination assembly in the opposite side by 2xP1.



HELP CENTER //

Question about your product? we're here to help contact us via



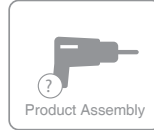
service@aivotuvin.com



Product inquiry



Orders FAQ



Product Assembly



Returns & Refunds

THANK YOU //

Thanks for your support to Aivotuvin.

Your satisfaction is our #1 priority.

Once the items are received, opened, and deemed to be faulty or other problems.

Pls contact us at ***service@aivotuvin.com*** for the solution.

We will feedback to you within 24 hours.

If you are happy with the shopping ,welcome to share photos and thoughts with others .



WARNING

Manufacturer and seller expressly disclaim any and all liability for personal injury, property damage or loss, whether direct, indirect, or incidental, resulting from the incorrect attachment, improper use, inadequate maintenance, or neglect of this product.