

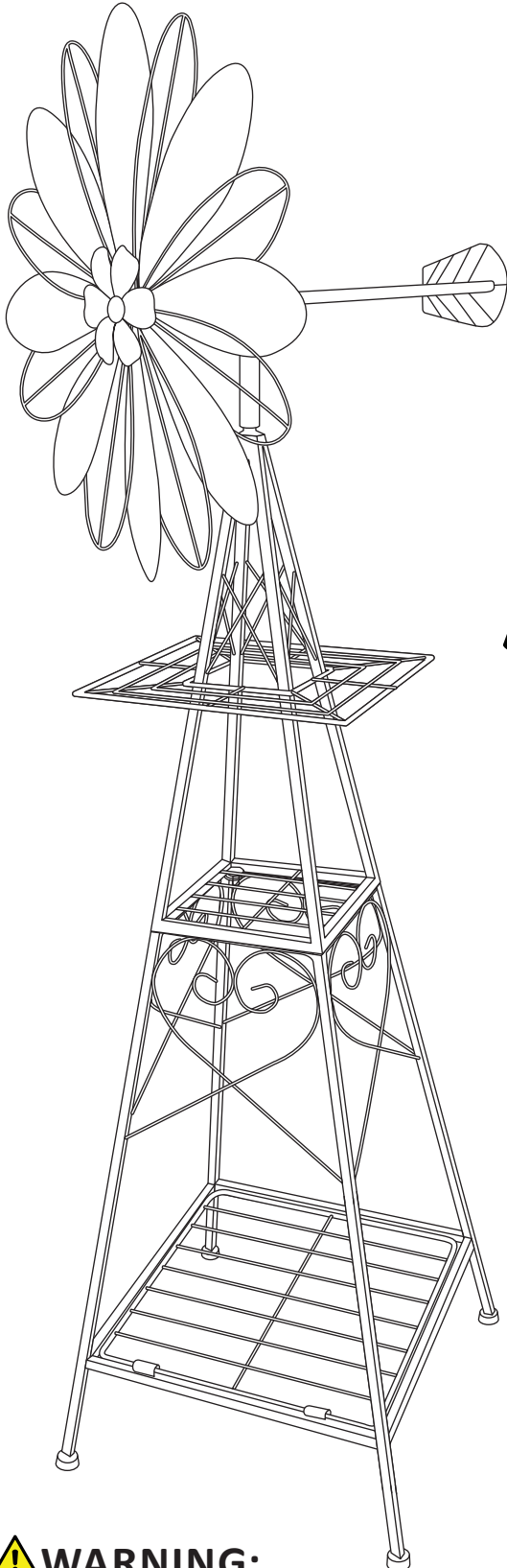
Thank you for choosing Sunnydaze Decor. We stand behind our brand and the quality of the items we sell. Replacement parts or products will be sent at our discretion within the 1-year warranty period. Proof of purchase, with the date of purchase as well as photos of the merchandise defect, must be provided. Photos are used to determine the cause of defects and for future quality control. Register your warranty at <https://tiny.cc/SunnydazeWarranty>. If you have any questions, comments or concerns, feel free to contact us by phone at 833-982-1977, by email: customerservice@sunnydazedecor.com, or via our contact us page at <https://tiny.cc/SunnydazeContact>

RUSTIC METAL WINDMILL STATUE


XCA-139



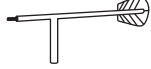

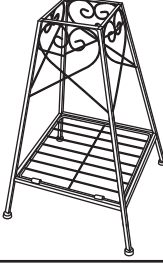


Read this manual carefully before use and save it for future reference.

Assemble components on a soft, clean surface to avoid scratching or damaging the finish.



CAUTION: SHARP EDGES HANDLE WITH CAUTION

 Inspect packaging to ensure all parts are accounted for before disposing of packing materials.

No.	PARTS		QTY.
A		Rotor Cap	1
B		Rotor	1
C		Rotor Tail	1
D		Tower Top**	1
E		Tower Base	1
F		Platform	1
G		Wingnut** (on bottom of part D)	2

WARNING

CHOKING HAZARD — This item contains small parts that can be swallowed. Keep children and pets away during assembly.

**To prevent small parts from being lost during shipping, the wingnuts are loosely attached to the bottom of Top Tower (D).

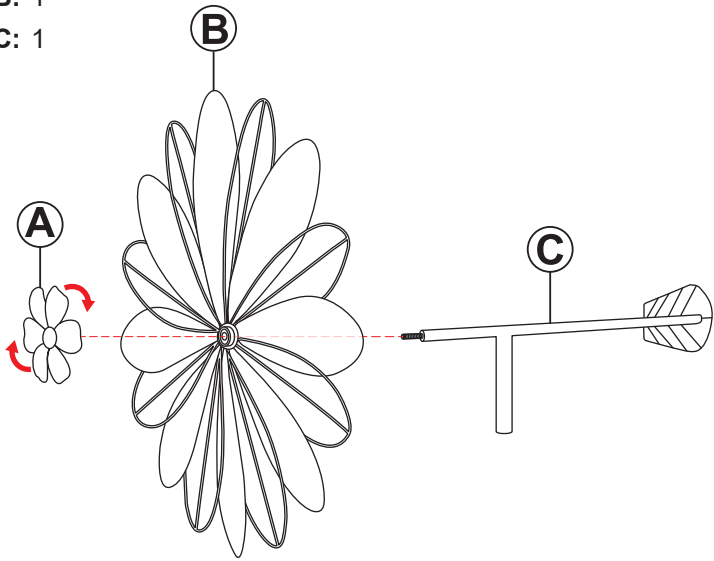
WARNING:

Manufacturer and seller expressly disclaim any and all liability from personal injury, property damage or loss, whether direct or indirect, or incidental, resulting from the incorrect attachment, improper use, inadequate maintenance, or neglect of this product.

ASSEMBLY

STEP 1

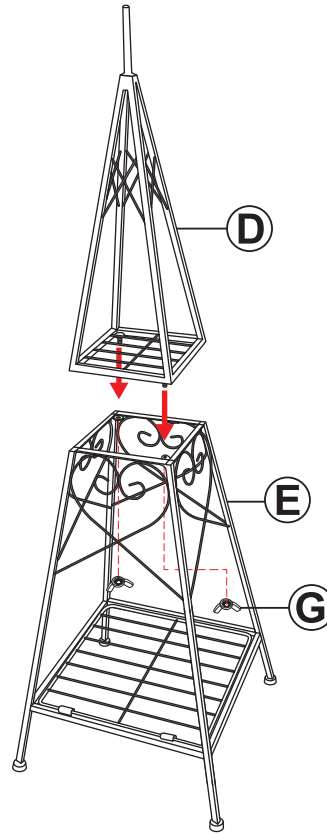
- A: 1
- B: 1
- C: 1



Run the threaded end of Rotor Tail (C) through the back side of Rotor (B) and secure with Rotor Cap (A).

STEP 2

- D: 1
- E: 1
- G: 2

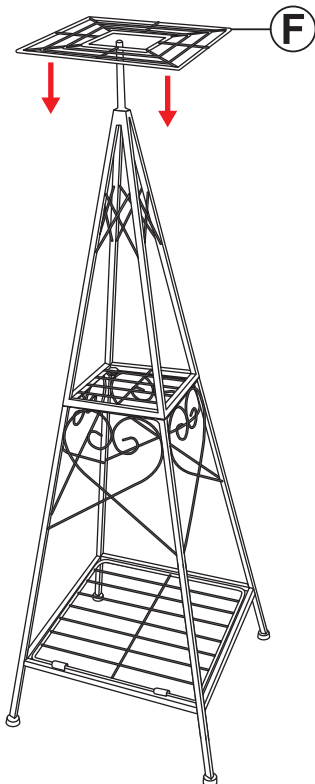


Ensuring the threaded bolts go through the mounting holes, place Tower Top (D) onto Tower Base (E).

Secure the components using two Wingnuts (E) as shown.

STEP 3

- F: 1



Slide Platform (F) over the top of the tower.

The platform will sit loosely on the tower; do not push down on the platform as it may cause the metal to bend and/or break.

STEP 4



Place the assembled rotor onto the top of the tower, as shown.



CARE & MAINTENANCE

CLEANING: Use a soft, dry cloth to gently wipe away dirt and debris. For stuck-on dust and dirt, dampen a soft cloth and gently wipe soiled surfaces. Do not scrub, use cleaners, or abrasive materials as doing so will damage the finish and void the product warranty.

SUN EXPOSURE: As with any product, sun exposure will gradually fade and discolor the finish over time.

WATER DAMAGE: Over time, water will cause natural erosion to the finish and structure of this unit. Damage and degradation from exposure to water and other weather elements are not covered under the product warranty.

WINTER CARE & STORAGE: Store in a dry, indoor location. This item was not manufactured to withstand extreme temperature changes. Do not allow water to collect or freeze on or inside the unit.

TROUBLESHOOTING

Rotor blades not spinning?

- Make sure the windmill is on a flat, level surface.
- Check to make sure the hardware is not over-tightened.
- The rotor is designed to spin slowly, do not force or alter the blade assembly as doing so may damage the product and void the product warranty.

If you experience issues with assembly or the product was damaged during shipping, please contact Sunnydaze Decor Customer Service Team through one of the methods mentioned at the top of page 1.

Please have the item number and order information ready to expedite response time.

SAFETY STATEMENTS & WARNINGS

- For decorative purposes only. This item is not a toy.
- Do not allow children to use or play with this item.
- Bending the metal may cause permanent damage or breakage, and could result in serious injury.
- Do not exceed the weight capacity of the shelves.
- Do not use harsh chemicals or abrasive materials to clean this item.
- Store indoors during high-wind conditions.
- Manufacturer is not liable for damage or personal injury caused by improper use, inadequate maintenance or neglect of this product.

Any modification to the product or failure to follow recommended care will void the product warranty.

WARNING!

Manufacturer and seller expressly disclaim any and all liability from personal injury, property damage or loss, whether direct or indirect, or incidental, resulting from the incorrect attachment, improper use, inadequate maintenance, or neglect of this product.