


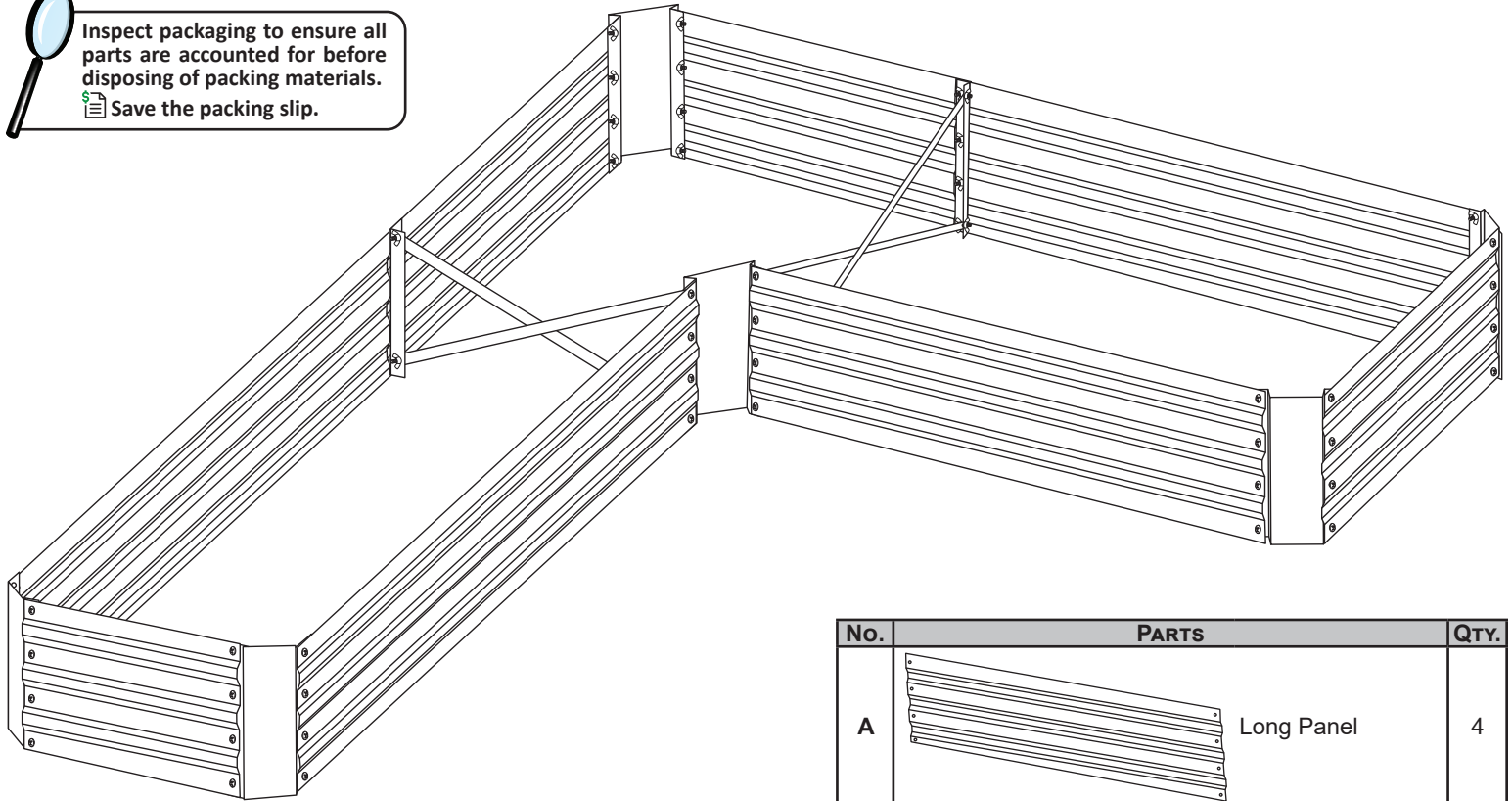
Thank you for choosing Sunnydaze Decor. We stand behind our brand and the quality of the items we sell. Replacement parts or products will be sent at our discretion within the 1-year warranty period. Proof of purchase, with the date of purchase as well as photos of the merchandise defect, must be provided. Photos are used to determine the cause of defects and for future quality control. Register your warranty at <https://tiny.cc/SunnydazeWarranty>. If you have any questions, comments or concerns, feel free to contact us by phone at 833-982-1977, by email: customerservice@sunnydazedecor.com, or via our contact us page at <https://tiny.cc/SunnydazeContact>

L-SHAPED GALVANIZED STEEL RAISED GARDEN BED

Read the assembly instructions carefully and follow the care instructions. Save this document for future reference.
Assemble on a soft, clean surface to avoid scratching or damaging the finish.



Inspect packaging to ensure all parts are accounted for before disposing of packing materials.
 Save the packing slip.





CAUTION:

SHARP EDGES

USE EXTREME CAUTION

◀ WEAR GLOVES DURING ASSEMBLY ▶

RECOMMENDED TOOL (not included)



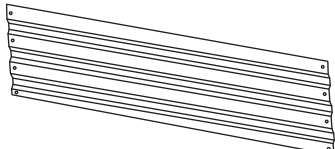

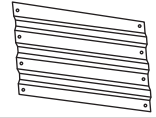
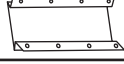
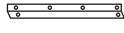

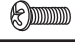

Phillips Screwdriver



WARNING



CHOKING HAZARD — This item contains small parts that can be swallowed. Keep children and pets away during assembly.

No.	PARTS	QTY.
A	 Long Panel	4
B	 Medium Panel	2
C	 End Panel	2
D	 Corner *(style may vary)	6
E	 Bracket	4
F	 Crossbar	4
1	 M5x12mm Bolt	64
2	 Wing Nut	64

*Garden Bed with Pattern Finish: 5 corner pieces have the pattern finish on the outside, 1 corner piece has the pattern finish on the inside; **this is not a defect**. The corner piece with the pattern on the inside must be used in Step 5.

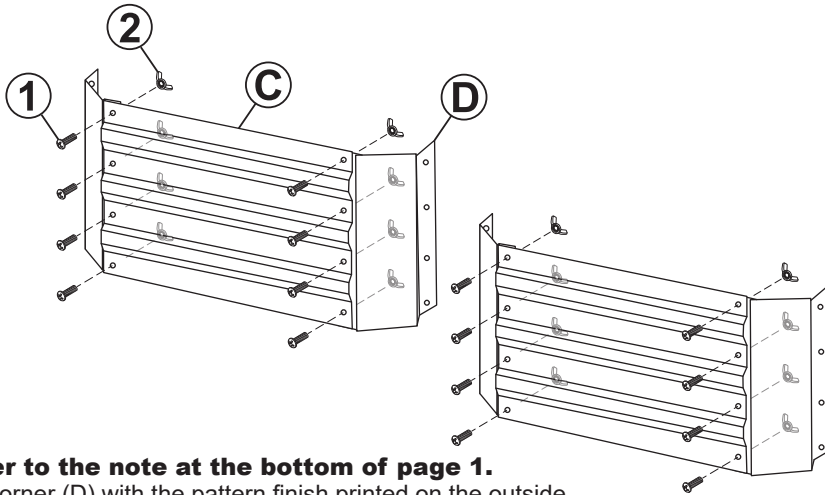
ASSEMBLY

Review all steps and understand assembly before beginning.

Do not fully tighten hardware until all components have been loosely assembled.

STEP 1

- C: 2
- D: 4
- 1: 16
- 2: 16



IMPORTANT: Identify the rolled edges of the panels and ensure they are installed facing the inside of the garden bed.

Align End Panel (C) with Corner (D) and secure using four M5x12mm Bolts (1) and Wing Nuts (2).

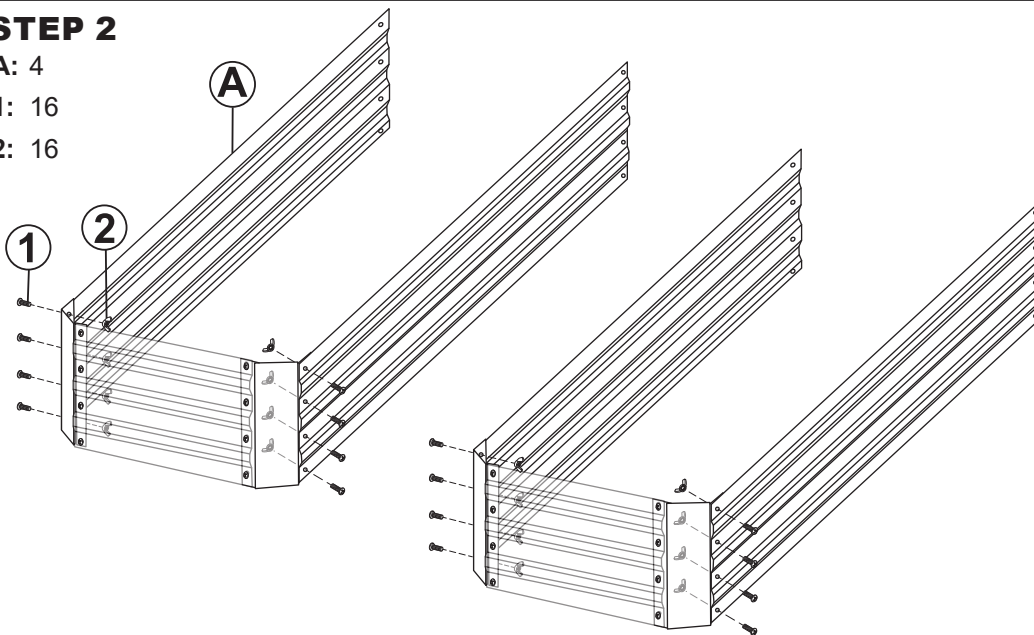
Repeat this step until both end panels have corners installed on each side, as shown.



*Refer to the note at the bottom of page 1.
Use Corner (D) with the pattern finish printed on the outside.

STEP 2

- A: 4
- 1: 16
- 2: 16



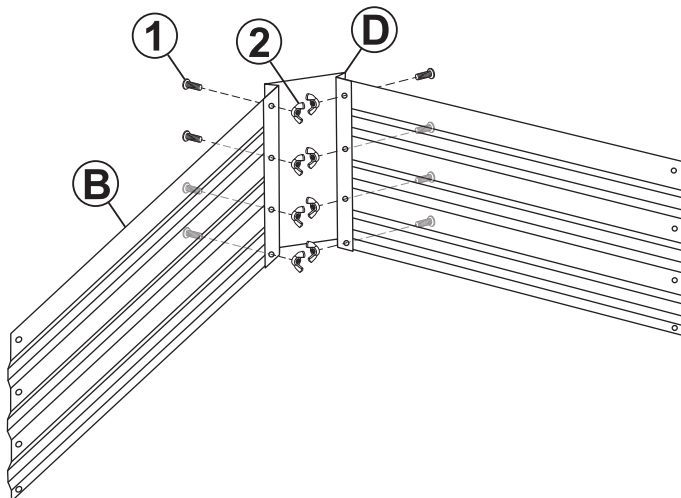
Ensuring the rolled edges are facing the inside of the garden bed, align Long Panels (A) with the end panel corners and secure using four bolts and wing nuts.

Repeat this step until all four long panels have been secured, as shown.

Set assembled components aside.

STEP 3

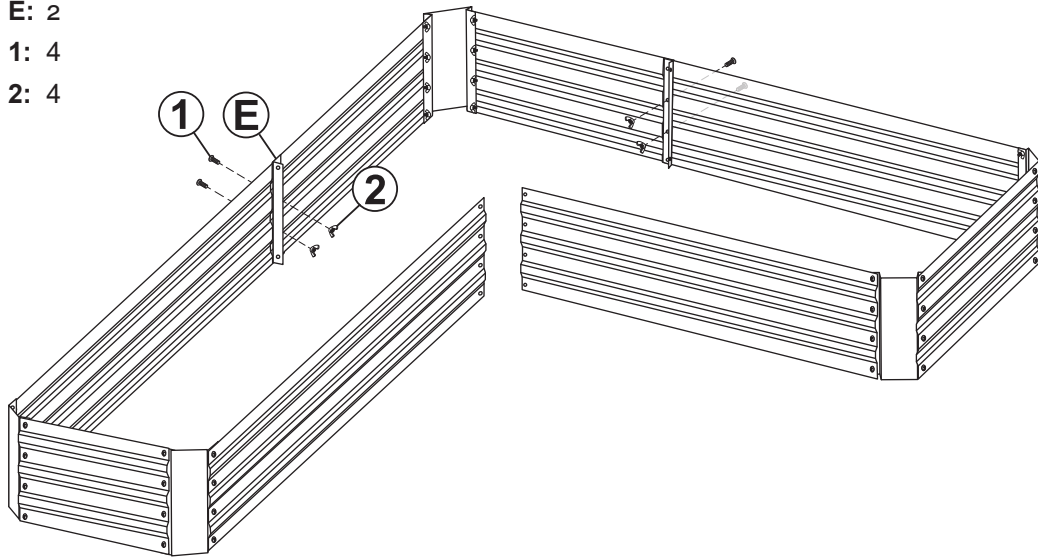
- B: 2
- D: 1
- 1: 8
- 2: 8



Align two Medium Panels (B) with one Corner (D) and secure using eight bolts and wing nuts.

STEP 4

- E: 2
- 1: 4
- 2: 4



IMPORTANT: Do not install hardware into the top and bottom mounting holes.

Align the assembled components.

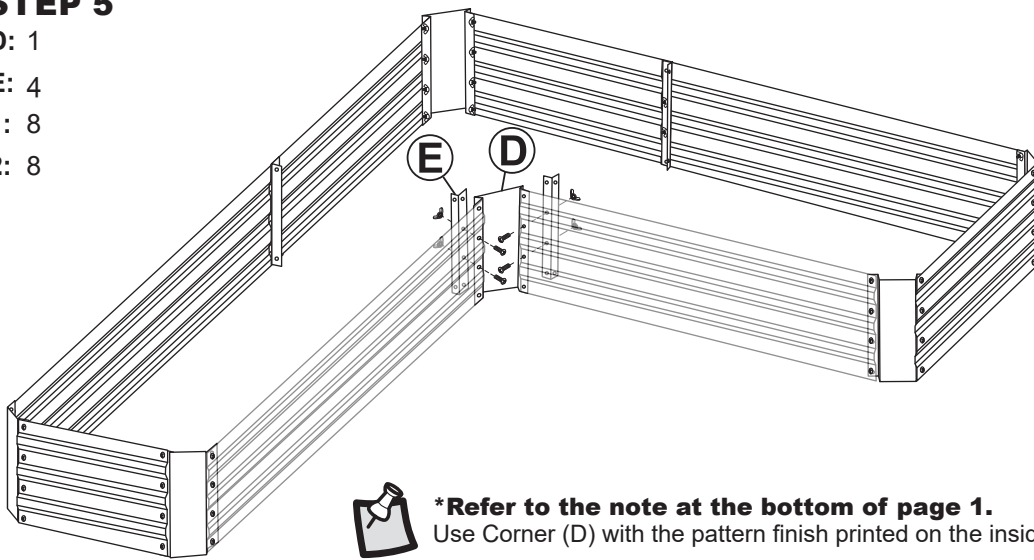
On the inside of the garden bed, align the four mounting holes in Bracket (E) with the panels.

Secure only the center two mounting holes with bolts and wing nuts as shown.

Repeat this step to connect components on the opposite side.

STEP 5

- D: 1
- E: 4
- 1: 8
- 2: 8



Ensuring the corner piece is facing inward, align one Corner (D) and two Brackets (E) with the long panels.

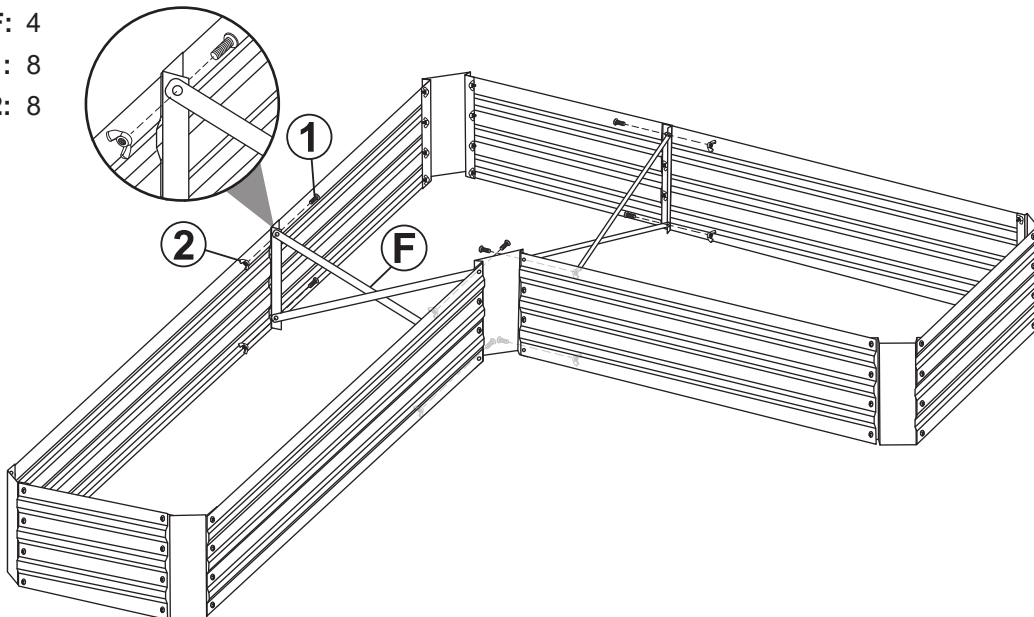
Secure only the center two mounting holes with bolts and wing nuts, as shown.



***Refer to the note at the bottom of page 1.**
Use Corner (D) with the pattern finish printed on the inside.

STEP 6

- F: 4
- 1: 8
- 2: 8



IMPORTANT: Ensure the bolt is installed in the correct direction, with the wingnut on the outside of the bracket as shown.

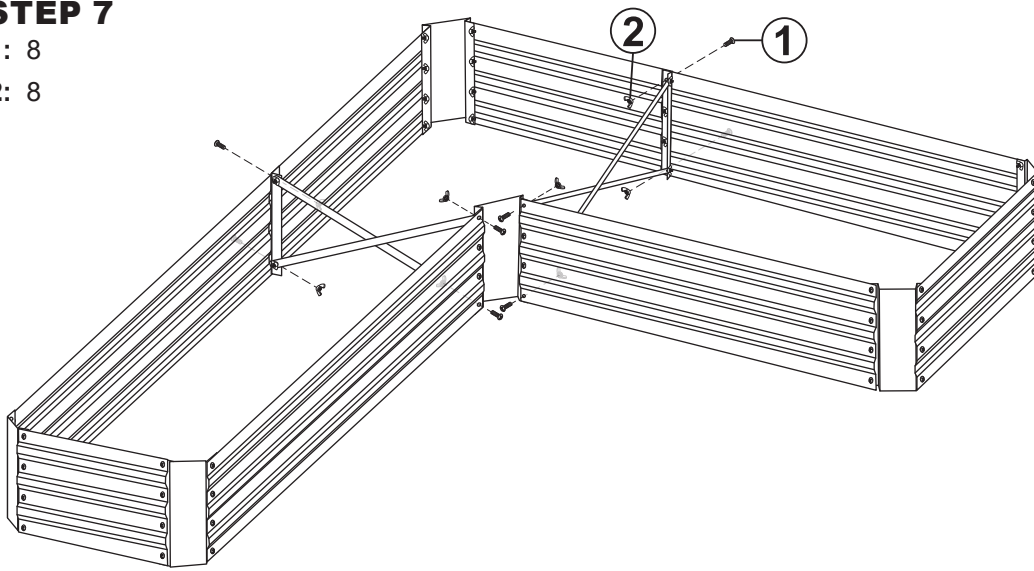
Align two Crossbars (F) diagonally with the bracket outside edges of the bracket and secure using bolts and wing nuts as shown.

Repeat to secure the remaining crossbars to the opposite side.

STEP 7

1: 8

2: 8



Secure the top and bottom of each bracket with bolts and wing nuts.

Fully tighten all hardware from all steps.

USE & CARE

- This garden bed provides ergonomic access to plants and can eliminate the need to till the soil each year as long as the soil is not packed down. Avoid stepping in the bed!
- Prepare the site before installation. Level the ground and remove existing vegetation. Landscaping fabric can be used under the beds; a double layer is recommended for beds placed directly on a lawn.
- A layer of gravel or stone can be used at the bottom for improved drainage.
- Loosely hand-tighten all nuts and bolt sets first, position the bed, then tighten. After assembly, check that all fastening points are secured.
- Galvanized metal beds do not require maintenance and are built to withstand years of exposure to the elements.
- The galvanized finish protects the steel from corrosion. Over time, galvanized steel will fade, and some discoloration is normal. Minor surface rust on edges and hardware is to be expected and should not affect the structural integrity of the product.

⚠ SAFETY STATEMENTS & WARNINGS ⚠

- Do not stand on, or lean objects against the bed wall as doing so may damage the product.
- Do not let children play in or around the garden bed.
- Use of this item for applications other than gardening will void the product warranty.

Any modification to the product or failure to follow recommended care will void the product warranty.

If you experience issues with assembly or the product was damaged during shipping, please contact our customer service team through one of the methods mentioned at the top of page 1.

Please have the item number and order information ready to expedite response time.

⚠ WARNING!

Manufacturer and seller expressly disclaim any and all liability from personal injury, property damage or loss, whether direct or indirect, or incidental, resulting from the incorrect attachment, improper use, inadequate maintenance, or neglect of this product.