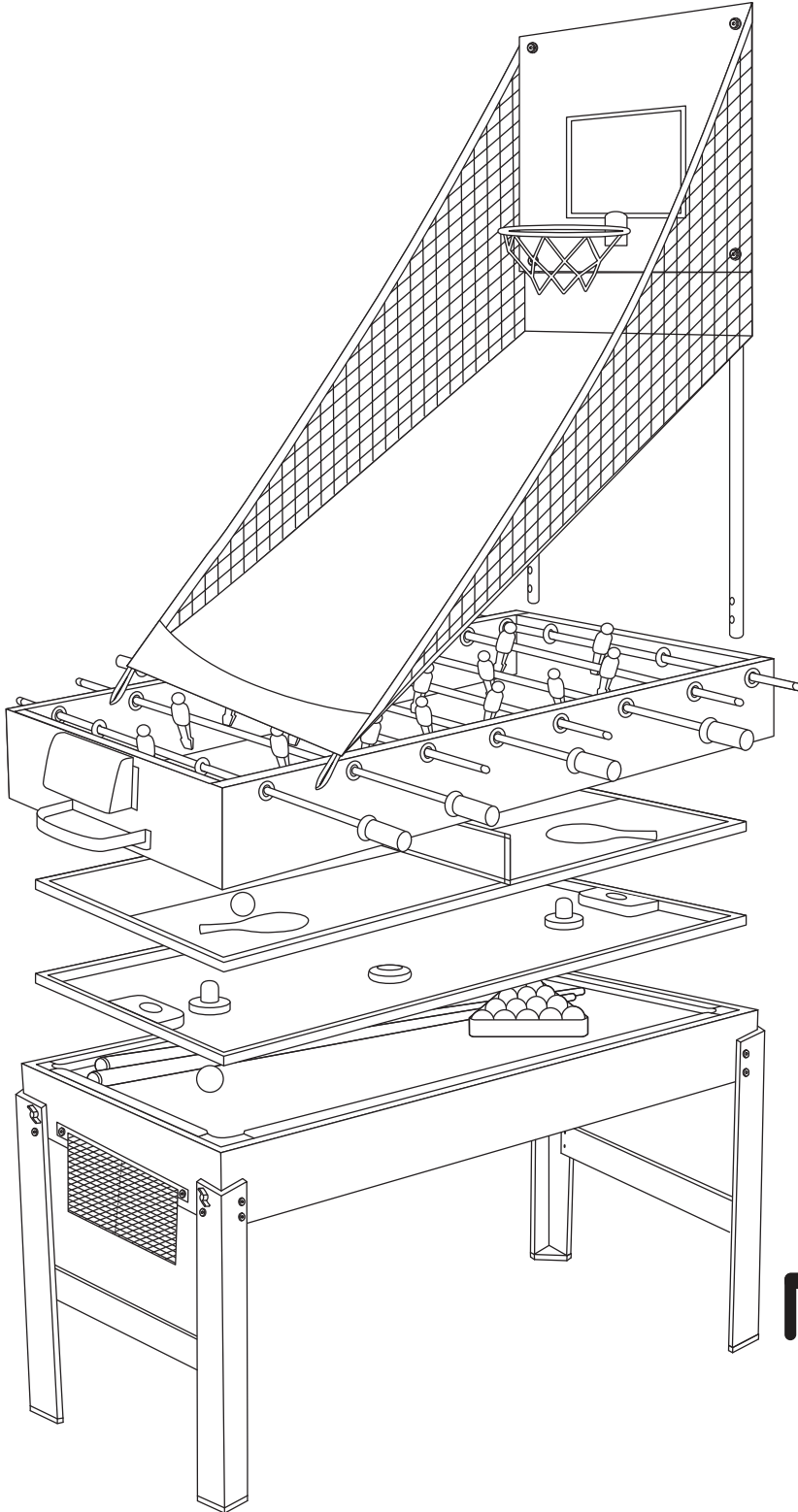
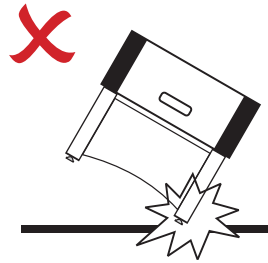
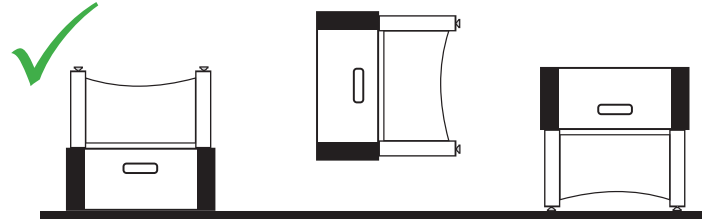


5-IN-1 MULTI-GAME TABLE

Assemble components on a soft, clean surface to avoid scratching or damaging the finish.



! IMPORTANT: Two adults are needed to turn the table over, as shown.




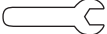
Do not lift the table by the legs; lift by the cabinet only.

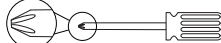
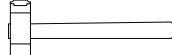
Do not let table lean on its legs.

! HELPFUL HINT

Sunnydaze Decor advises reading this manual fully, and assembling the game table soon after purchase. Check that all parts are accounted for and familiarize yourself with all assembly steps before beginning.

Save this manual for future reference.

TOOLS REQUIRED (included)	
	Hex Key
	Spanner

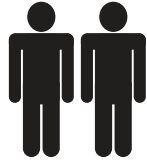
TOOLS REQUIRED (not included)	
	Phillips Screwdriver
	Rubber Mallet



PARTS



Inspect packaging to ensure all parts are accounted for before disposing of packing materials.
 Save the packing slip.



2-PERSON
ASSEMBLY

No.	TABLE PARTS		QTY.
P1		Side Panel (L/R)	2
P2		End Panel	2
P3		Playing Field	1
P4A		Front Left Leg	1
P4B		Front Right Leg	1
P4C		Back Left Leg	1
P4D		Back Right Leg	1
P5		Leg Leveler	4
P6		Playing Field Support	2
P8		Hockey/Table Tennis Board	1
P9		Ball Catch (Top and Bottom)	2
P10		Billiard Table	1
P14		Corner Pocket	4
P15		Side Pocket	2
P16		Basketball Backboard	1
P17		Rim Bracket	1
P18		Rim/Net Set	1
P19		Backboard Rod	2
P20		Net	1
P21		Leg Panel	2
P22		Hockey Goal	2
C10		Accessory Holder	1



WARNING

CHOKING HAZARD — This item contains small parts that can be swallowed. Keep children and pets away during assembly.

No.	HARDWARE		QTY.
C7		M4x19mm Player Screw	26
H1		M6.35x25mm Bolt	12
H2		M6.35 Washer	24
H3		M4x44mm Screw	12
H4		M3.5x12mm Screw	20
H5		M6.35x32mm Bolt	4
H6		M6.35 Nut	4
H7		M3.5x12mm Screw	8
H8		M3.5x15mm Screw	3
H9		6.35x38mm Threaded Knob	4
H10		6.35x25mm Threaded Knob	2
H11		M6.35x22mm Bolt	2
H12		Net Peg	2

No.	FOOSBALL PARTS		QTY.
C1		5-Player Rod	2
C2		1 or 3-Player Rod	4
C3		2-Player Rod	2
C4		EVA Bushing	16
C5		Stop Ring	4
C6		Plastic Rod Washer	16
C8		Home Player	11
C9		Away Player	11
P7		Rod Handle	8
P11		Rod Cap	8

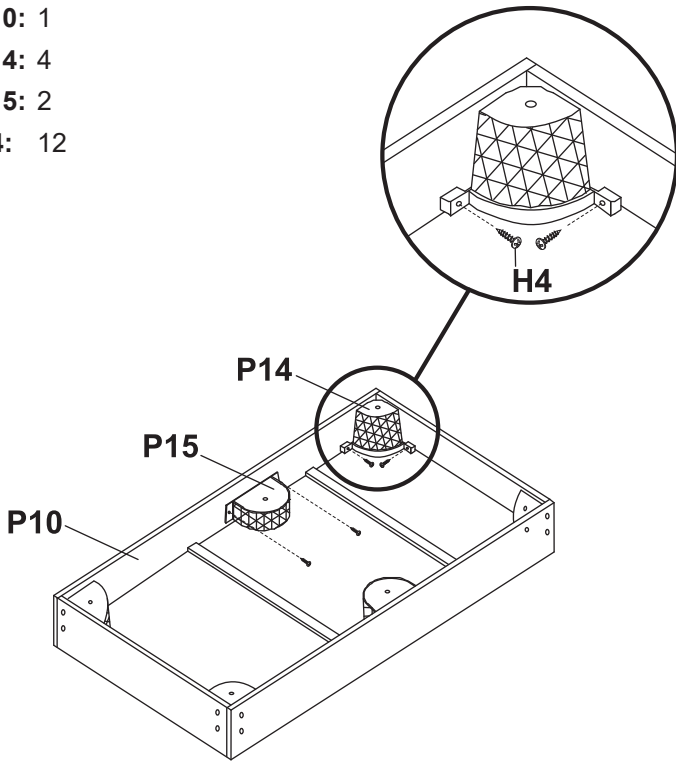
No.	ACCESSORIES		QTY.
A1		Billiard Ball Set	1
A2		Ball Rack	1
A3		Cue	2
A4		Paddle	2
A5		Table Tennis Ball	2
A6		Table Tennis Net Set	1
A7		Hockey Striker	2
A8		Hockey Puck	2
A9		Basketball	2
A10		Inflator	1
H13		Soccer Ball	2

ASSEMBLY

*Review all steps carefully and understand assembly before beginning.
Pay close attention to drawings and placement of parts.*

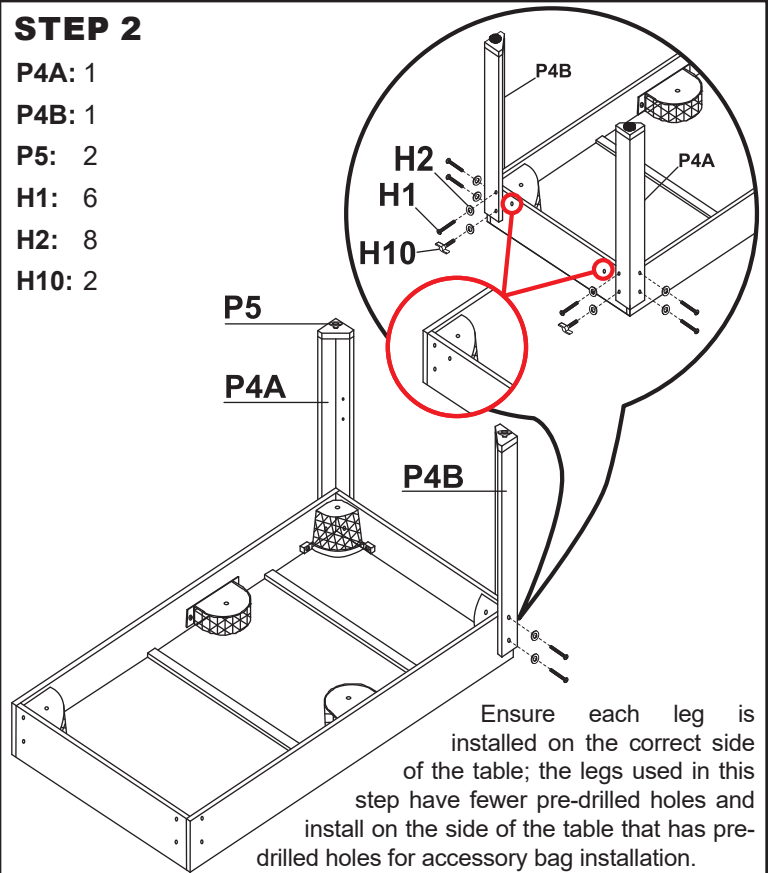
STEP 1

- P10: 1
- P14: 4
- P15: 2
- H4: 12



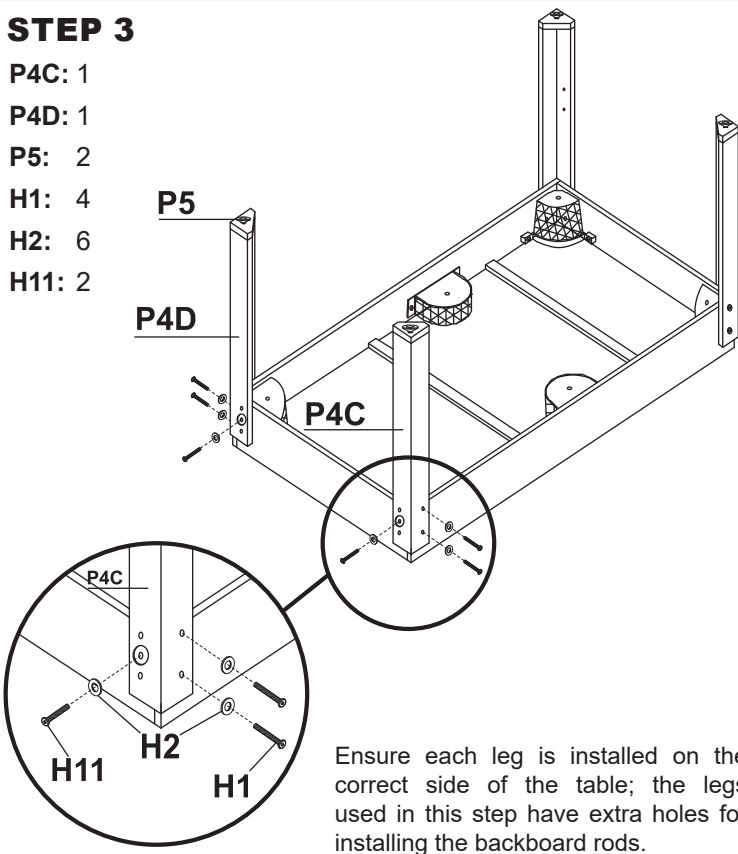
STEP 2

- P4A: 1
- P4B: 1
- P5: 2
- H1: 6
- H2: 8
- H10: 2



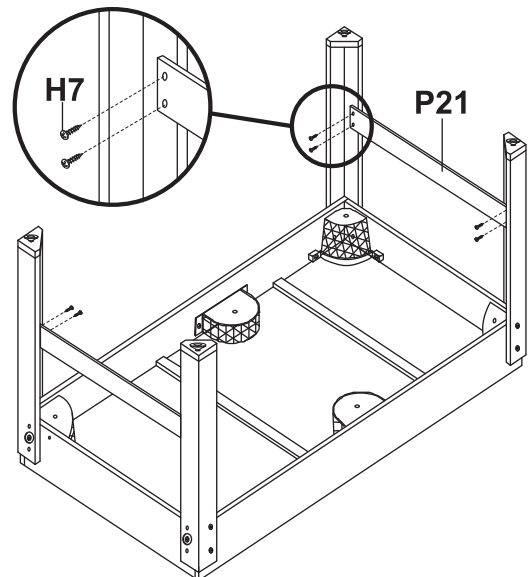
STEP 3

- P4C: 1
- P4D: 1
- P5: 2
- H1: 4
- H2: 6
- H11: 2



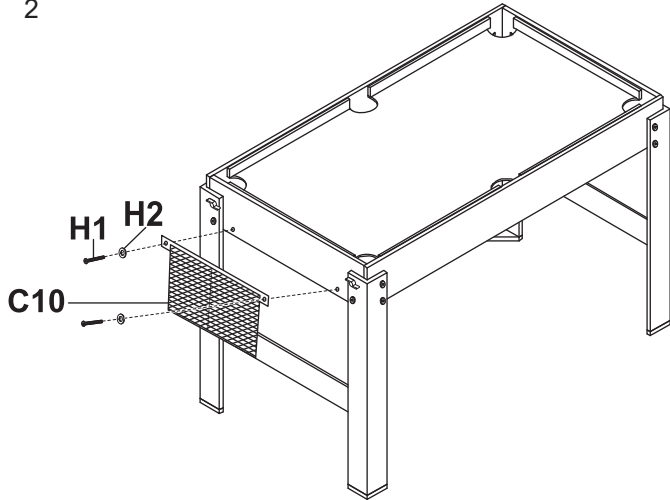
STEP 4

- P21: 2
- H7: 8



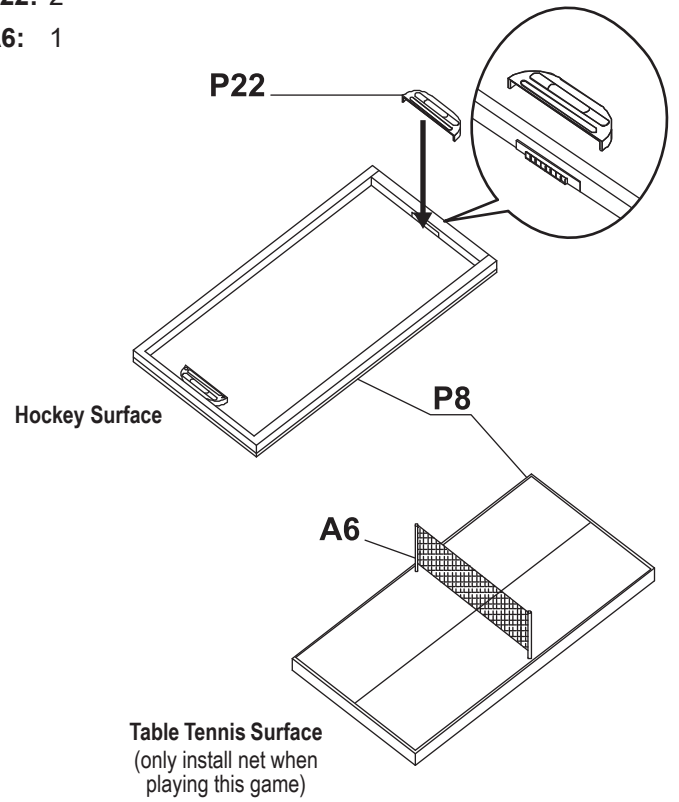
STEP 5

- C10: 1
- H1: 2
- H2: 2



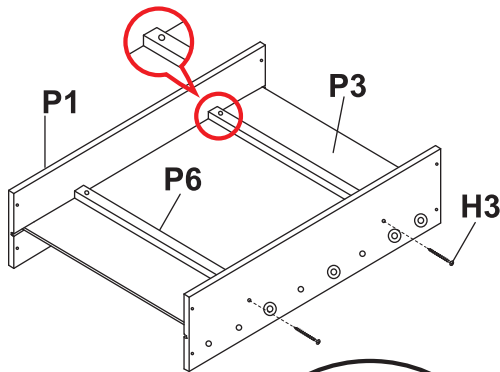
STEP 6

- P8: 1 (reversible playing surface)
- P22: 2
- A6: 1

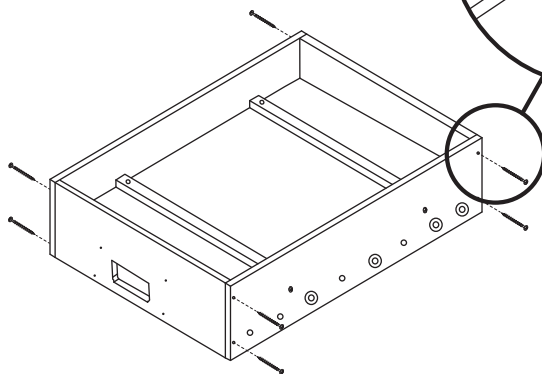
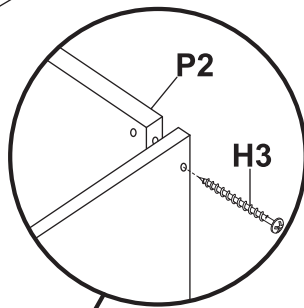


STEP 7

- P1: 2
- P3: 1
- P6: 2
- H3: 4

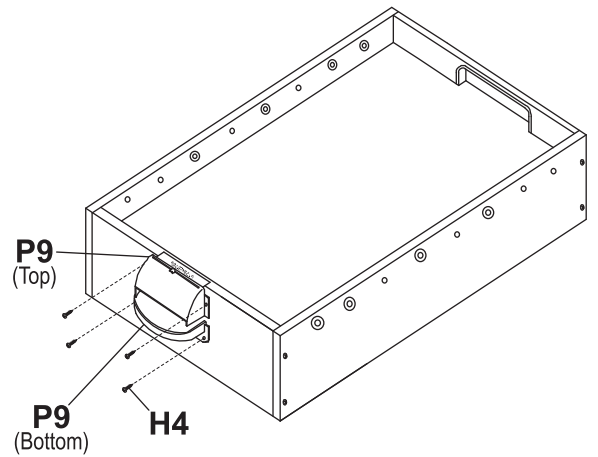


- P2: 2
- H3: 8



STEP 8

- P9: 2 sets
- H4: 8

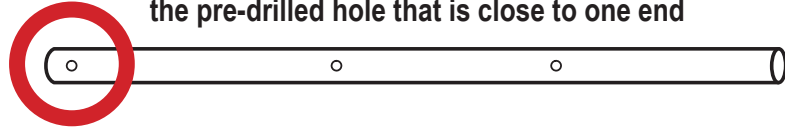


STEP 9

HOME AWAY

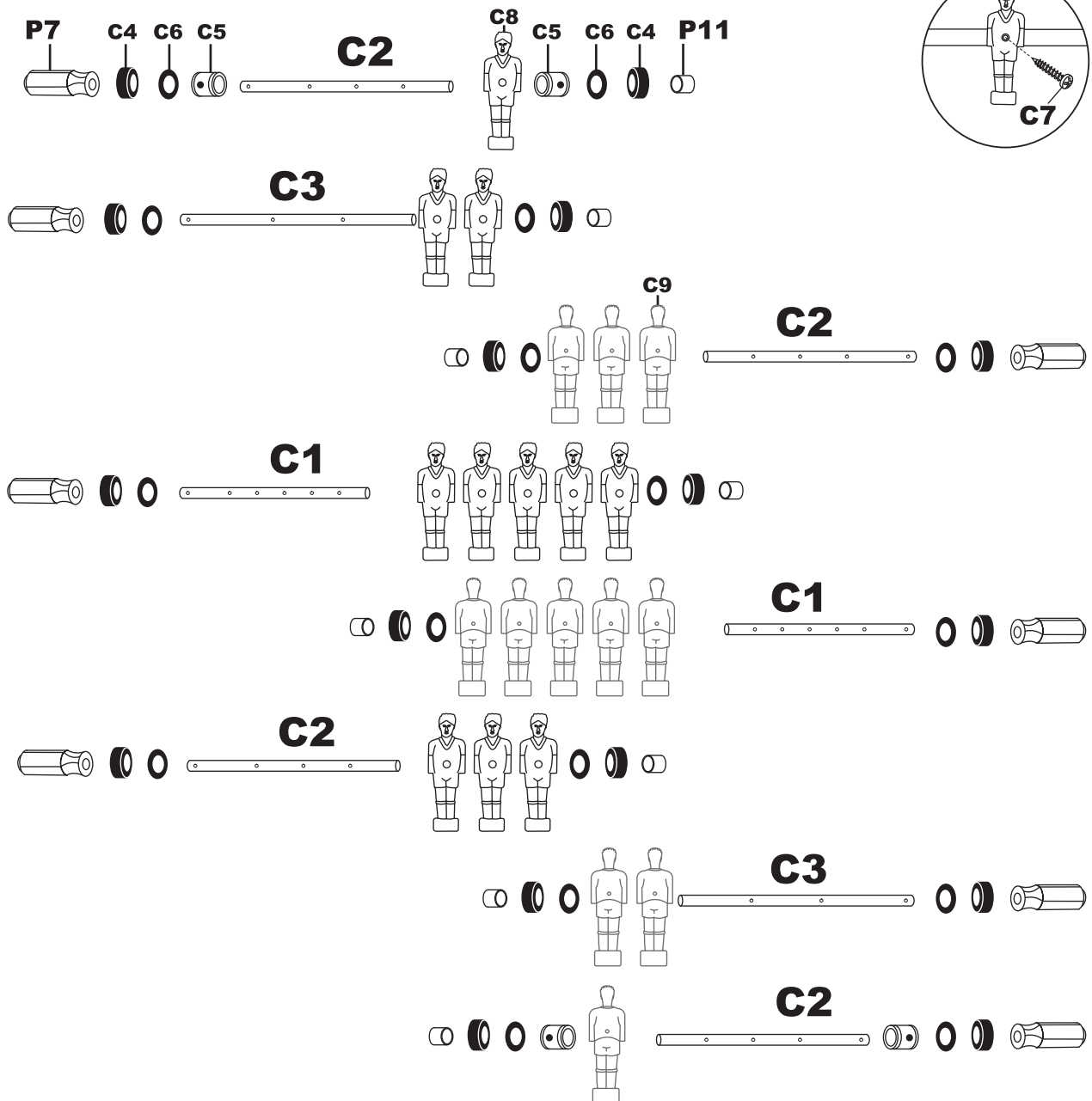
- C1: 1 C1: 1
- C2: 2 C2: 2
- C3: 1 C3: 1
- C4: 8 C4: 8
- C5: 2 C5: 2
- C6: 8 C6: 8
- C7: 13 C7: 13
- C8: 11 C9: 11
- P7: 4 P7: 4
- P11: 4 P11: 4

Identify the handle-side of the player rod by locating the pre-drilled hole that is close to one end



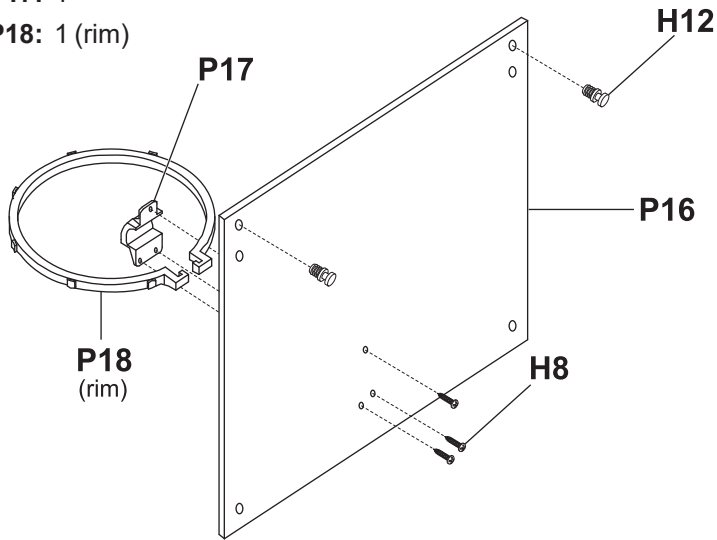
Follow the diagram below to ensure rod and player placement is correct.

- Place one Plastic Rod Washer (C6) and one Rubber Bushing (C4) onto the handle-side of each rod. Run the handle-side of the rod through the inside opening on the table. Firmly push Handle (P7) onto the rod.
- Ensure players are installed facing the center of the playing field.
- Goalie Installation: Stop Ring (C5), Player, Stop Ring (C5), Plastic Rod Washer (C6), EVA Bushing (C4). Run the rod through the opening on the opposite side of the table. Place End Cap (P11) on the rod.
- Midfield Player Installation: Players, Plastic Rod Washer (C6), EVA Bushing (C4). Run the rod through the opening on the opposite side of the table. Place End Cap (P11) on the rod.
- Secure all players and stop rings using Player Screw (C7).



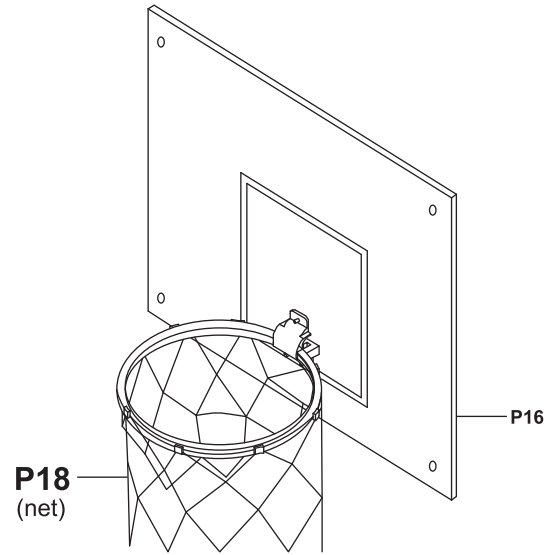
STEP 10

- H8: 3
- P16: 1
- P17: 1
- P18: 1 (rim)



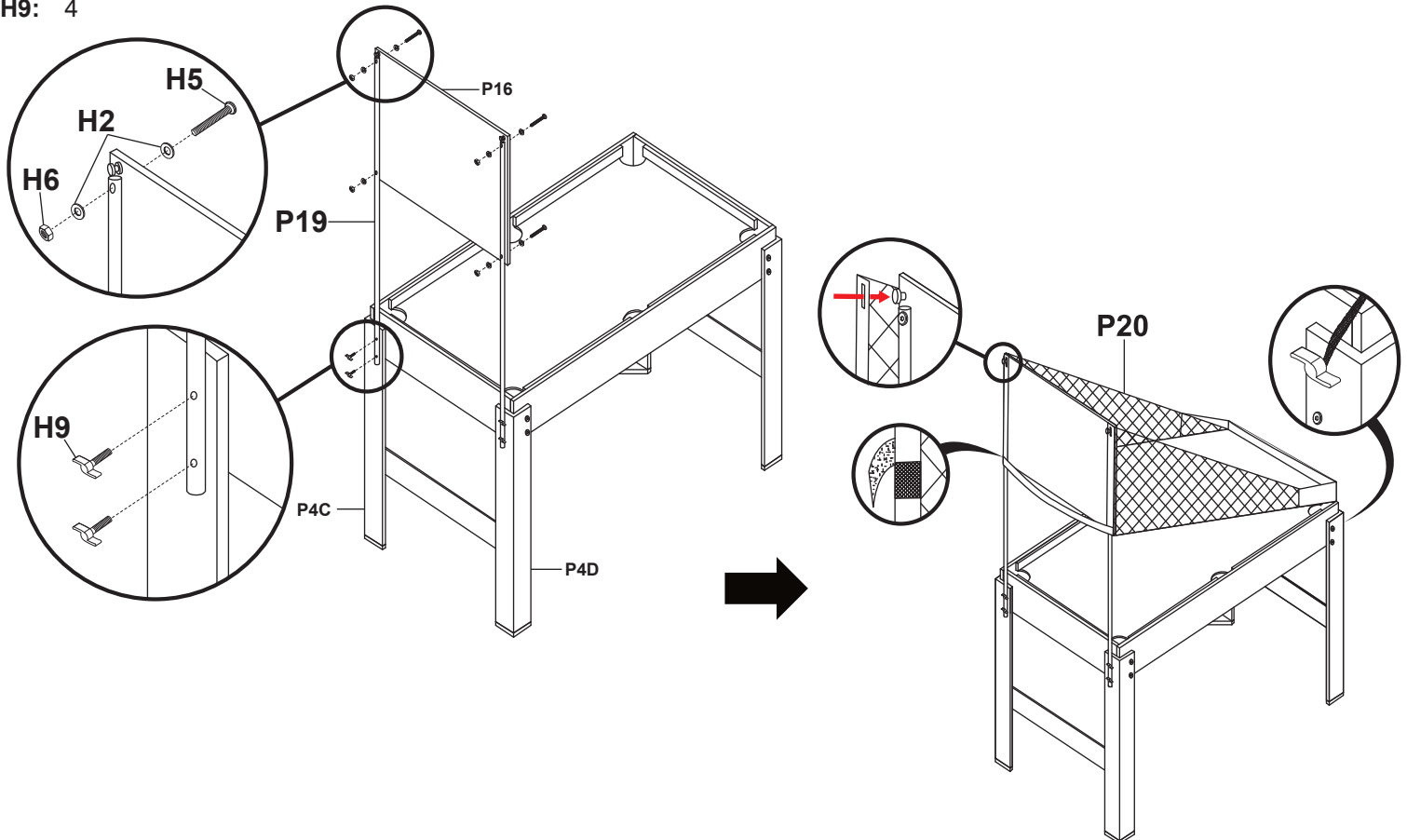
STEP 11

- P18: 1 (net)



STEP 12

- H2: 8 P19: 2
- H12: 2 P20: 1
- H5: 4
- H6: 4
- H9: 4



Care and Maintenance

PROTECT: For indoor use only. Only use this game table in a dry location; high moisture areas may cause the finish to peel and wood to warp.

COVER: Covering the game table while it is not in use will help prevent dust build-up.

INSPECT: Periodically check all assembly points to ensure all bolts and screws are firmly secured.

CLEAN: Use a soft, dry cloth to dust the game table. For stubborn stains, use a slightly damp cloth. NEVER use harsh chemical or abrasive materials to clean any part of the game table.

LEVEL: If the playing surface is uneven, adjust the feet by (un)screwing each side until the playing surface is level.

SAFETY STATEMENTS & WARNINGS

- This product is intended for INDOOR use only.
- For residential use only.
- Do not sit, climb or lean on any part of the table.
- Ensure all bolts and screws are firmly secured before each use.
- Always lift the table when moving it. Dragging the table can permanently damage the unit.
- Do not use or store this item in the proximity of open flame or flammable/combustible chemicals.
- Supervise children while using this item.

Any modification to the product or failure to follow recommended care will void the product warranty.

If you experience issues with assembly or the product was damaged during shipping, please contact our customer service team through one of the methods mentioned at the top of page 1.

Please have the item number and order information ready to expedite response time.

WARNING!

Manufacturer and seller expressly disclaim any and all liability from personal injury, property damage or loss, whether direct or indirect, or incidental, resulting from the incorrect attachment, improper use, inadequate maintenance, or neglect of this product.