

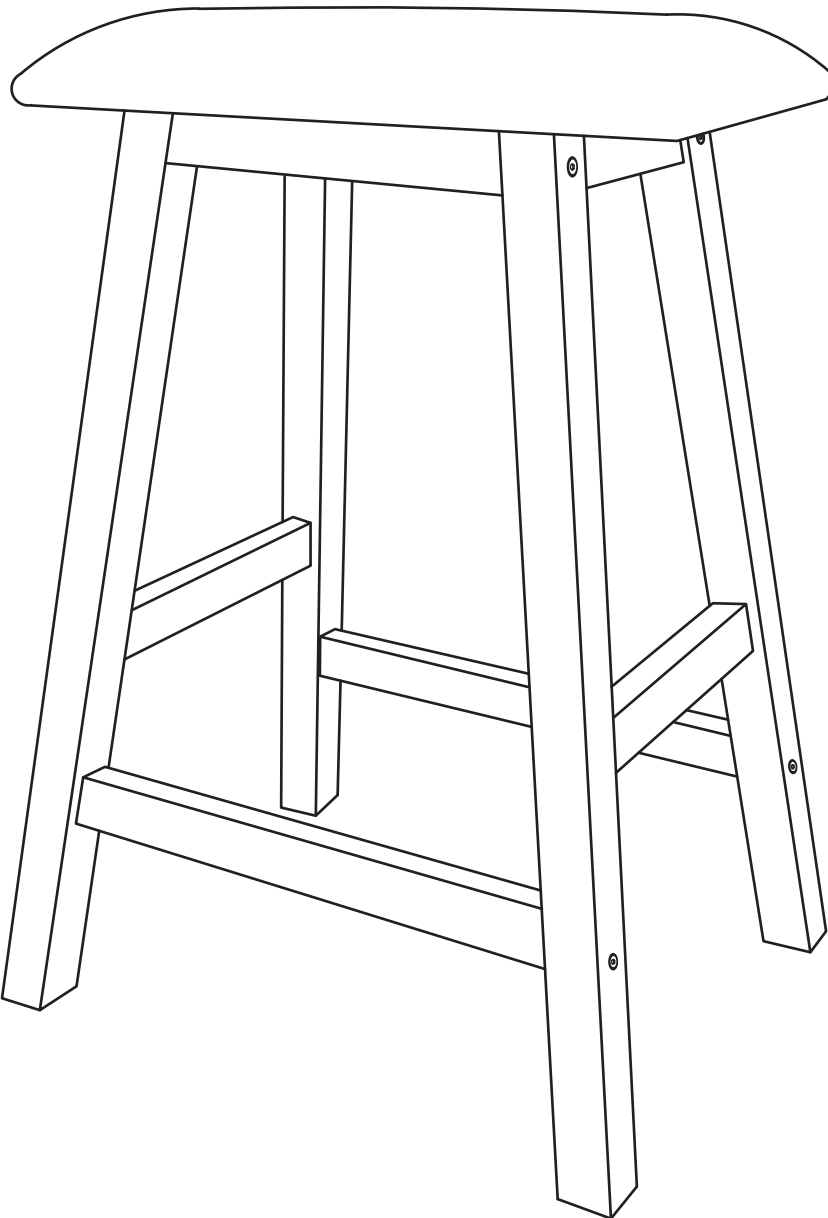
# COUNTER-HEIGHT STOOL


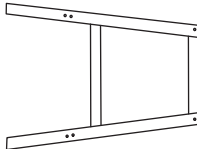






## BWD-900

Carefully read all assembly and information in this manual before using this product. Save this manual for future reference.  
**Assemble components on a soft, clean surface to avoid damaging the finish.**



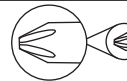
Inspect packaging to ensure all parts are accounted for before disposing of packing materials.



No.	PARTS		QTY.
A		Seat	2
B		Leg Panel (L/R)	4
C		Stretcher	4
1		JCBC M6x50mm Bolt	16
2		CSK M4x32mm Screw	4
3		Split Washer	16
4		8x30mm Wood Dowel	16
5		Hex Key	1

**NOTE:** Over time and with use, bolts may become loose. Save the included tool for tightening loosened hardware.

### TOOLS REQUIRED (not included)



Phillips Screwdriver

## ⚠ WARNING ⚠

**CHOKING HAZARD** — This item contains small parts that can be swallowed. Keep children and pets away during assembly.

### ⓘ HELPFUL HINT

Sunnydaze Decor advises reading this manual fully, and assembling the item soon after purchase. Check that all parts are accounted for and familiarize yourself with the assembly before beginning.

# INDIVIDUAL STOOL ASSEMBLY

Review all steps and understand assembly before beginning.

**Do not fully tighten hardware until all frame components have been loosely assembled.**

## STEP 1

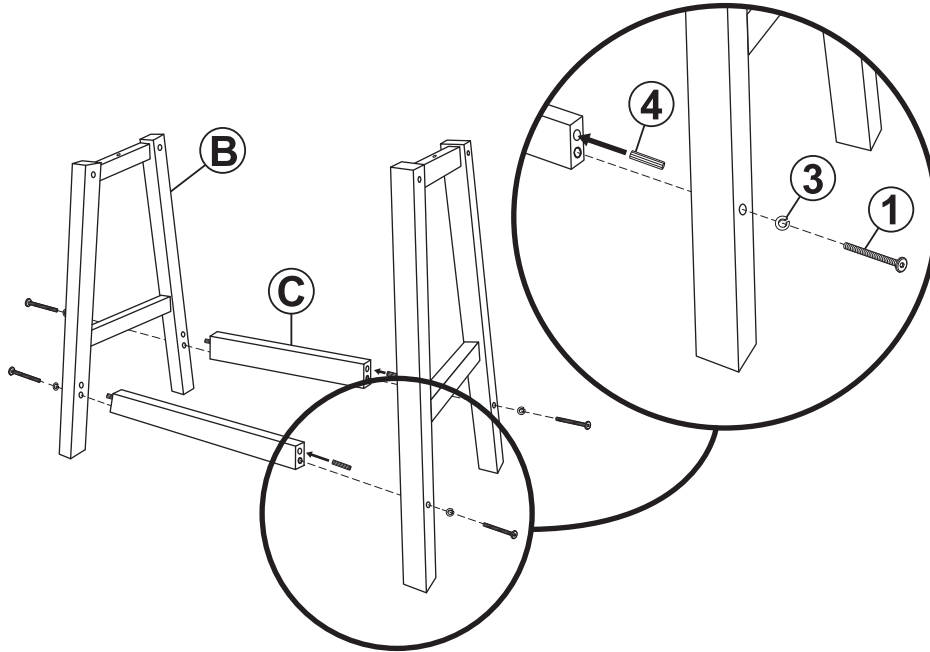
B: 2

C: 2

1: 4

3: 4

4: 4

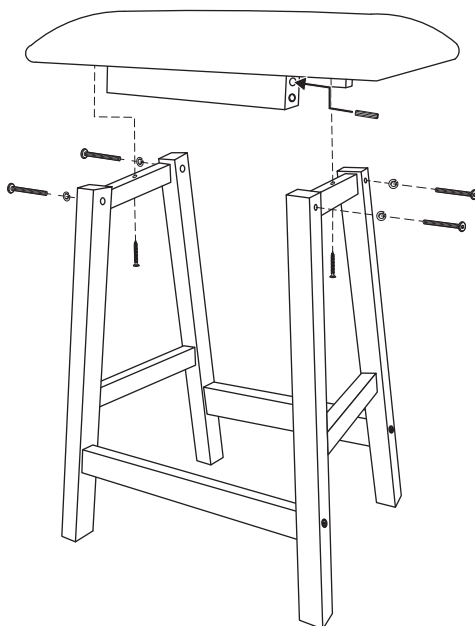


**IMPORTANT:** Do not install wood dowels into mounting holes with threaded inserts.

Do not fully tighten hardware until after Step 2 is complete.

- Firmly insert one Dowel (4) into the top mounting hole on both ends of both Stretchers (C) as shown.
- Align the stretchers with one of the Leg Panels (B) and loosely securing using Split Washers (3) and M6x50mm Bolts (1). Repeat to secure the remaining leg panel.

## STEP 2



### 2.1

- Identify the support beams that are attached to the bottom of Seat (A) and firmly insert one Dowel (4) into each of the top mounting hole on each beam as shown.

### 2.2

- Align the seat with the top of the leg panels.
- Secure the leg panels to the support beams using two sets of Split Washers (3) and M6x50mm Bolts (1) as shown. Repeat to secure the opposite side.

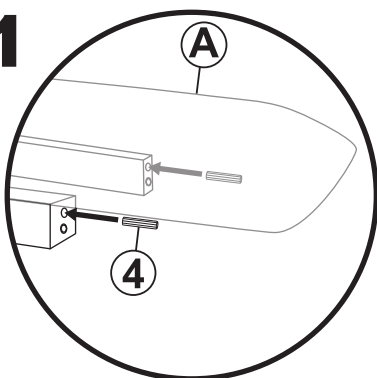
### 2.3

- Use one M4x32mm Screw (2) to secure the underside of each leg panel to the seat as shown.

### 2.1

A: 1

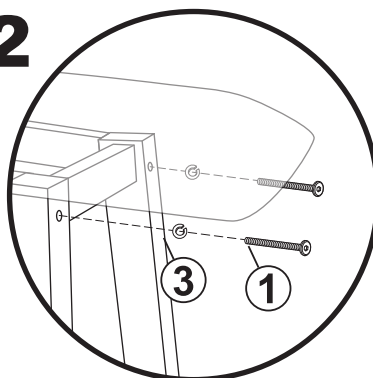
4: 4



### 2.2

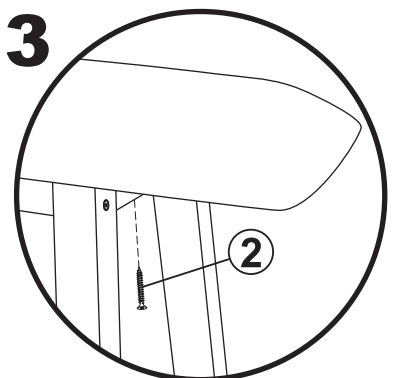
1: 4

3: 4



### 2.3

2: 2



# Care & Maintenance

**SAFE USE:** Follow all safety statements and warnings. For residential use only. Only use on a flat, level surface. Do not stand on any part of the furniture. Do not exceed the weight capacity.

**INSPECT:** Before use, ensure the unit is assembled correctly and all hardware is securely tightened. If parts are missing, broken, damaged, or worn out, do not use this product.

**SUN EXPOSURE:** All fabrics will eventually fade from sun exposure. Maintain cushion color and integrity by keeping the unit out of direct sunlight.

**CLEAN:** Use a soft cloth and clean, warm water to spot-clean the cushion. Use a slightly damp cloth to hand-wash the chair. Do not use chemicals or abrasive materials to clean any part of the unit.

## Cleaning

*Do not use bleach, harsh chemicals, or abrasive materials to clean the furniture.*

### SEAT CUSHION

- Frequently brush or vacuum the cushion to prevent dust and dirt from getting deep into the fabric.
- Spot clean the cushion using a soft cloth and lukewarm water. For more stubborn stains, gently scrub using mild soap and lukewarm water. Press a dry towel on the spot-cleaned area to absorb excess moisture. Allow to thoroughly dry before use.

### WOODEN SURFACES

- Use a dry, soft cloth or a clean feather duster to remove dust. For more stubborn stains, gently scrub wooden surfaces using a slightly damp cloth.

## SAFETY STATEMENTS & WARNINGS

- For indoor use only.
- This product is for residential use only; institutional or commercial use will automatically void the product warranty.
- Ensure fittings are tight before use. Periodically check fitting to ensure they are tight.
- Do not stand on any part of this unit.
- Do not exceed the weight capacity of the furniture.
- Do not place liquids or hot items directly on the furniture.
- Never use chemical cleaning products or polishes as they may damage the finish.
- Avoid long-term exposure to sunlight.
- Avoid placing near heating or cooling vents as forced air is be very drying and could damage the wood.

**Any modification to the product or failure to follow recommended care will void the product warranty.**

*If you experience issues with assembly or the product was damaged during shipping, please contact our customer service team through one of the methods mentioned at the top of page 1.*

*Please have the item number and order information ready to expedite response time.*

## NOTICE:

**Manufacturer and seller expressly disclaim any and all liability from personal injury, property damage or loss, whether direct or indirect, or incidental, resulting from the incorrect attachment, improper use, inadequate maintenance, or neglect of this product.**