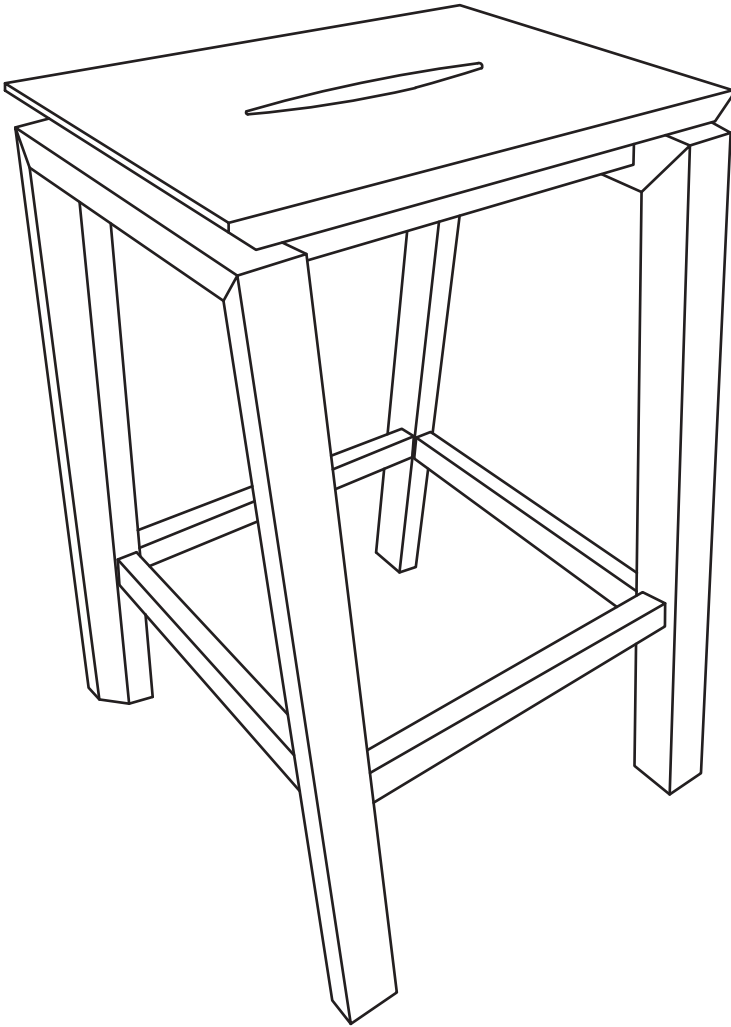


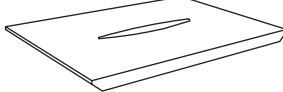
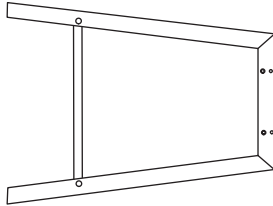
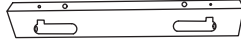






MODERN COUNTER-HEIGHT STOOL

BWD-863

Carefully read all assembly and information in this manual before using this product. Save this manual for future reference.
Assemble components on a soft, clean surface to avoid damaging the finish.



Inspect packaging to ensure all parts are accounted for before disposing of packing materials.

No.	PARTS		QTY.
A		Seat	2
B		Side Frame (L/R)	4
C		Apron (F/B)	4
D		Stretcher	4
1		JCBC M6x50mm Bolt	8
2		Split Washer	8
3		M4x32mm Screw	16
4		8x30mm Wood Dowel	12
5		Hex Key	1

TOOLS REQUIRED (not included)



Phillips Screwdriver

! HELPFUL HINT

Sunnydaze Decor advises reading this manual fully, and assembling the item soon after purchase. Check that all parts are accounted for and familiarize yourself with the assembly before beginning.

NOTE: Over time and with use, the bolts may become loose. Save the included tool for tightening loosened hardware.

! WARNING !

CHOKING HAZARD — This item contains small parts that can be swallowed. Keep children and pets away during assembly.

INDIVIDUAL STOOL ASSEMBLY

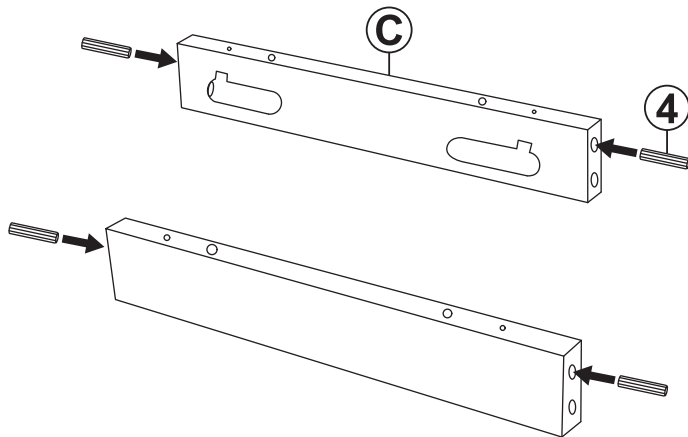
Review all steps and understand assembly before beginning.

Do not fully tighten hardware until all frame components have been loosely assembled.

STEP 1

C: 2
4: 4

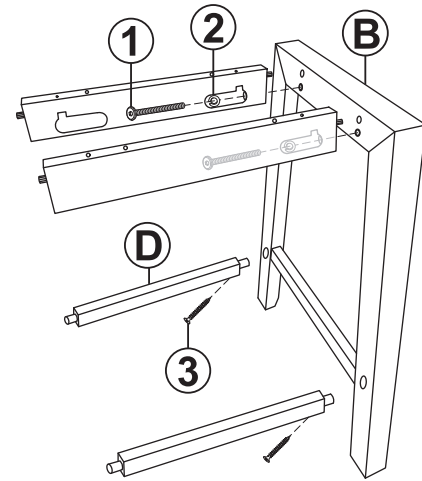
IMPORTANT: Do not install wood dowels into mounting holes intended for securing the apron to the side frames.



- Identify the four mounting holes on the long side of Aprons (C), which indicate the top of the apron.
- Locate the top mounting hole on the outside/short ends of the apron and firmly insert one Wood Dowel (4) into the top mounting on each side of the apron, as shown.

STEP 2

B: 1
D: 2
1: 2
2: 2
3: 2

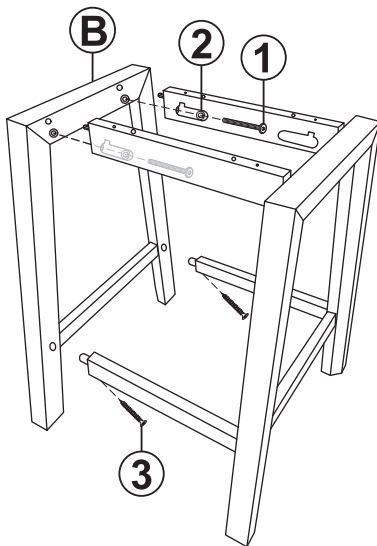


- With the dowels on top, align the aprons with the top of the right-side Side Frame (B).
- Loosely secure each apron to the side frame using one M6x50mm Bolt (1) and one Split Washer (2).
- Insert Stretcher (D) into the bottom of the side frame and loosely secure using M4x32mm Screws (3).

Do not fully tighten hardware until Step 4 is complete.

STEP 3

B: 1
1: 2
2: 2
3: 2

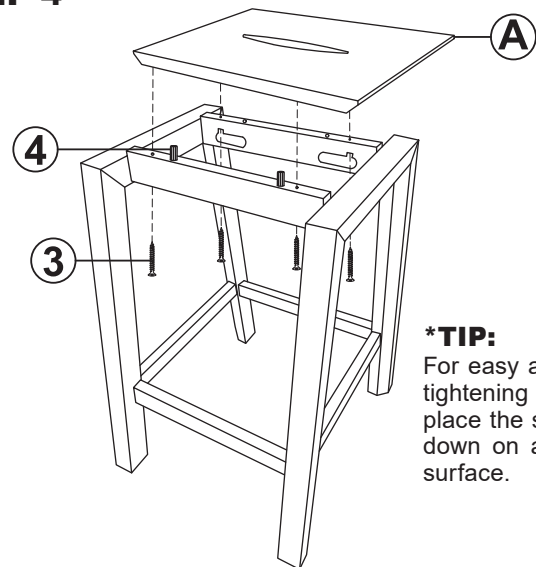


- Align the left-side Side Frame (B) with the aprons and stretchers.
- Loosely secure each apron to the side frame using one M6x50mm Bolt (1) and one Split Washer (2).
- Loosely secure the stretchers to the side frame using M4x32mm Screws (3).

Do not fully tighten hardware until Step 4 is complete.

STEP 4

A: 1
3: 4
4: 2



***TIP:**
For easy access when tightening hardware, place the stool upside-down on a soft, clean surface.

- Firmly insert two Wood Dowels (4) into the center-most mounting holes on top of the front apron.
- Align the pre-drilled holes on the bottom of Seat (A) with the dowels.
- Use four M4x32mm Screws (3) to secure the aprons to the seat.

***Fully tighten all hardware after this step is complete.**

Care & Maintenance



Clean the furniture using a dry, soft cloth or clean feather duster.



Remove stains with a slightly damp cloth and mild soap. Dry with a soft cloth to prevent water damage.



Do not clean with harsh cleansers or polish.



Do not put hot items or any liquids directly on the furniture surface.

SAFE USE: Follow all safety statements and warnings. For residential use only. Only use on a flat, level surface. Do not stand on any part of the stool. Do not exceed the weight capacity of the stool.

INSPECT: Before use, ensure the unit is assembled correctly and all hardware is securely tightened. If parts are missing, broken, damaged, or worn out, do not use this product.

CLEAN: Dust surfaces with a dry, soft cloth or clean feather duster. For more stubborn dirt, hand-wash surfaces with a slightly damp. Do not use chemicals or abrasive materials to clean any part of the unit.

! SAFETY STATEMENTS & WARNINGS !

- For indoor use only.
- This product is for residential use only; institutional or commercial use will automatically void the product warranty.
- This product is intended to be used by one person at a time.
- Ensure fittings are tight before use. Periodically check fitting to ensure they are tight.
- Do not stand or climb on any part of this unit.
- Do not exceed the weight capacity of the furniture.
- Do not place liquids or hot items directly on the furniture.
- Never use chemical cleaning products or polishes as they may damage the finish.
- Avoid long-term exposure to sunlight.
- Avoid placing near heating or cooling vents as forced air is be very drying and could damage the wood.

Any modification to the product or failure to follow recommended care will void the product warranty.

If you experience issues with assembly or the product was damaged during shipping, please contact our customer service team through one of the methods mentioned at the top of page 1.

Please have the item number and order information ready to expedite response time.

! NOTICE:

Manufacturer and seller expressly disclaim any and all liability from personal injury, property damage or loss, whether direct or indirect, or incidental, resulting from the incorrect attachment, improper use, inadequate maintenance, or neglect of this product.