

## INSTALLATION INSTRUCTIONS

### Triple Ball Mount

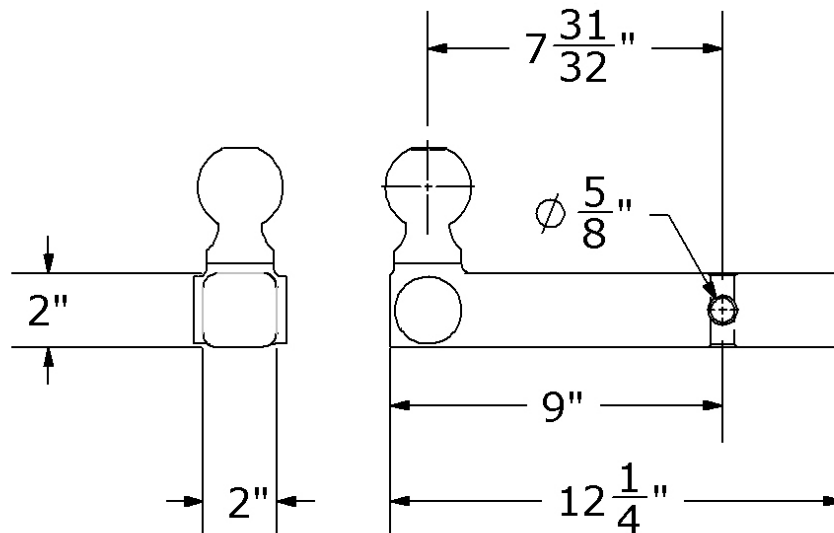
#### **Warning:**

This equipment should not be used or maintained in a haphazard manner.  
 Do not exceed vehicle, trailer or pintle hook rated values.  
 Wallace Forge is not liable and warranty is voided if pintle hooks are welded or modified.  
 Inspect before use for wear and deformation requiring replacement.  
 Replace worn parts with Wallace Forge Company replacement parts.  
 Clean and lubricate properly. Only use Grade 8 bolts for mounting with proper torque.  
 Rigid Pintle hook capacities reduced by 25% when used for off-road purposes.



#### **Mounting:**

1. The mounting structure must be capable of supporting at least 15% more than the maximum amount being pulled, in accordance with SAE J847.
2. Insert shank of triple ball mount into receiver tube. Whatever hitch ball diameter intends to be utilized, should be in the upright position.
3. Once holes on the triple ball mount and receiver tube are aligned, insert 5/8" hitch pin (or bolt) through receiver tube and ball mount holes.
4. Secure 5/8" hitch pin with a hairpin clip.
5. **DO NOT** operate unless 5/8" hitch pin is secured through receiver tube and triple ball mount.



# TRAILER SAFETY FACTS

## ***Guidelines to ensure proper safety, maintenance, and operation:***

- Regularly clean and inspect the pintle hook before daily operation. Consult D.O.T. regulations and American Trucking Association standards for additional inspection and safety information.
- Lubricate latch bolts and pivot points with a light lubricating oil.
- Regularly inspect mounting bolts for damage and to ensure proper torque.
- If the pintle hook is damaged, severely worn, or missing ANY parts, DO NOT OPERATE.
- Make sure the mounting of the pintle hook is secure, and the latch is secured in the closed position, with the snapper pin securely clasped through the latch.
- **DO NOT** operate the pintle hook without the snapper pin inserted through the latch when the drawbar and pintle hook are coupled.
- Replace worn components with Wallace Forge Company replacement parts.
- Use safety chains of proper capacity in conjunction with all towing devices AT ALL TIMES.
- Replace pintle hook if wear of 1/8" or more has occurred.
- Ideal trailer tongue weight is 10% of Gross Trailer Weight, but no more than 15% for most vehicles. Note: Too little tongue weight is as bad as too much tongue weight. Both can cause vehicles to sway and lose control.

## **Safety Chains or Cables:**

**These are a requirement. They must cross under or make an "X" under the tongue of the trailer. There should be no more slack than necessary for turning.**

## ***Most Common Conditions Which Allow Trailer to Separate:***

1. Failure to secure latch in closed position and insert safety pin.
2. Faulty installation. Examples include, but not limited to:
  - Insufficient strength of mounting structure.
  - Wrong size lunette or ball, which does not allow enough clearance or freedom while driving over uneven terrain, causing hitch to bind.
3. Poor maintenance: If coupler requires lubrication it should be done at regular intervals. Check for loose or worn bolts, and damage to pintle hook. If pintle hook is more than 1/8" worn or ball hitch 1/32" worn, replace immediately. **WELDING IS NOT ACCEPTABLE.**
4. Keep the product free of dirt and road salt which can cause accelerated wear or failure.

## **WALLACE FORGE WARRANTY POLICY**

Wallace Forge Company warrants repair or replacement of any products of its manufacture, at its option. Upon delivery to its factory, within one year after date of sale by Wallace's customer, is proved to the satisfaction of Wallace Forge Co. defective at the time of said sales; provided that all products claimed defective are returned properly identified to Wallace Forge Company.

Not covered by this warranty are:

- 1.) Products which have been altered, changed, or repaired by someone other than the Wallace Forge Co.
- 2.) Defects, damages or deterioration due to normal use, exposure or wear and tear.
- 3.) Damages or defects due to misuse, alteration, negligence, or accident.

This warrant to repair or replace the defective products is the only warranty expressed, implied, or statutory, for these products manufactured by The Wallace Forge Company Inc. and the liability of Wallace Forge Company Inc. is hereby expressly limited to the repair or replacement of defective products. All other damages and warranties are hereby expressly waived by the purchaser.