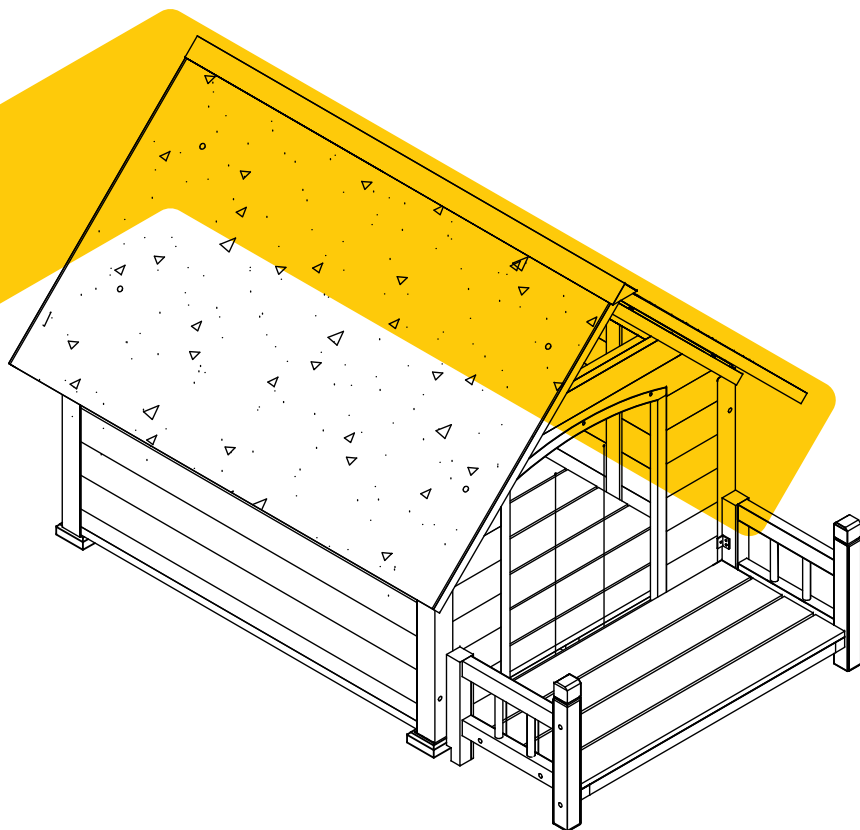


INSTRUCTION MANUAL

AIR 80

AIR 81



aivituvin

www.aivituvin.com



NOTICE

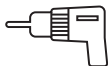
Please retain these instructions for future reference.

- Firmly secure all bolts,screws and knobs before use.
- Reconfirm that all bolts,screws,and knobs are secure every 90 days.
- Fasten screws loosely during initial assembly. Do not fully tighten screws until the item is completely assembled.
- Do not use or store this item in the proximity of open flame or flammable/combustible chemicals.
- Be aware that some parts are heavy and have sharp edges.
- Be aware that moving parts can injure,crush and cut.
- If any parts are missing,broken,damaged,or worn,stop using this product until repairs are made and/or factory replacement parts are installed.
- Do not use this item in a way inconsistent with the manufacturer's instructions as this could void the product warranty.

TOOLS REQUIRED //



PHILLIPS
SCREWDRIVER



DRILL
(RECOMMENDED)



2PERSON
ASSEMBLY



APPROXIMATELY
30MIN. ASSEMBLY

HARDWARE //

M6.0x55mm BOLT
4PCS



P1

M6.0x30mm SCREW
8PCS



P2

M3.5x35mm SCREW
8PCS+1spare



P3

M3.0x34mm SCREW
12PCS+1spare



P4

M3.0x18mm SCREW
11PCS+1spare



P5

M3.0x14mm SCREW
6PCS+1spare



P6

Connection strap
2PCS



P7

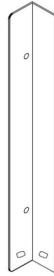
PARTS

Back metal bar-left
1PC



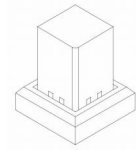
A

Back metal bar-right
1PC



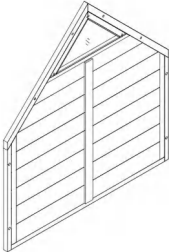
B

Plastic feet
4PCS



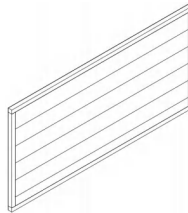
C

Back panel
1PC



D

Side panel
2PCS



E

Front metal bar-left
1PC



F

Front metal bar-right
1PC



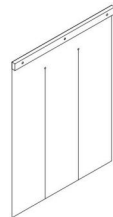
G

Front panel
1PC



H

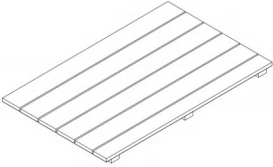
PVC curtain
1PC



I

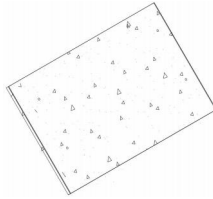
PARTS

Bottom panel
2PCS



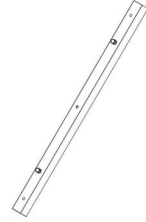
J

Roof
2PCS



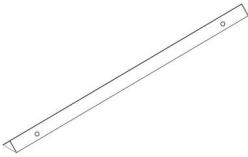
K

Roof supporter
2PCS



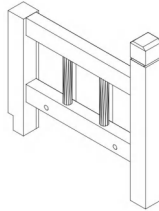
L

Roof cap
1PC



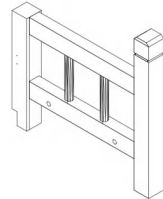
M

Left panel of porch
1PC



N

Right panel of porch
1PC



O

Left metal bar of porch
1PC



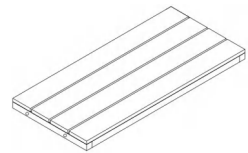
P

Right metal bar of porch
1PC



Q

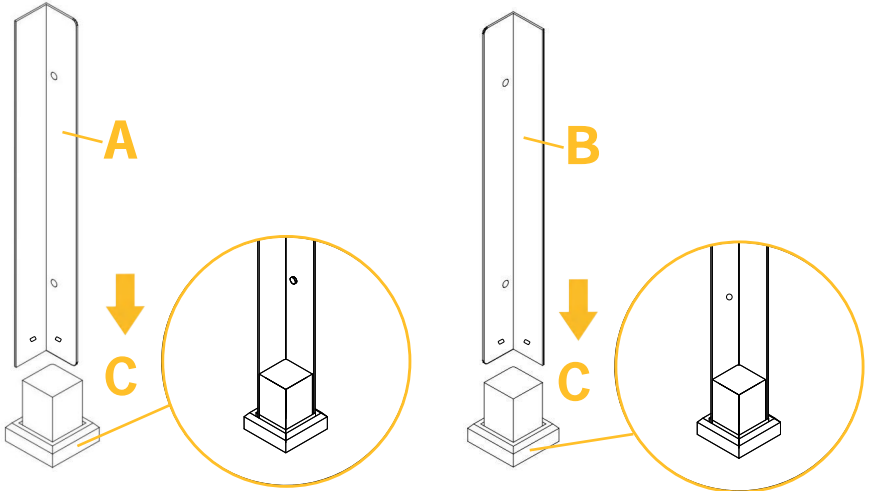
Bottom panel of porch
1PC



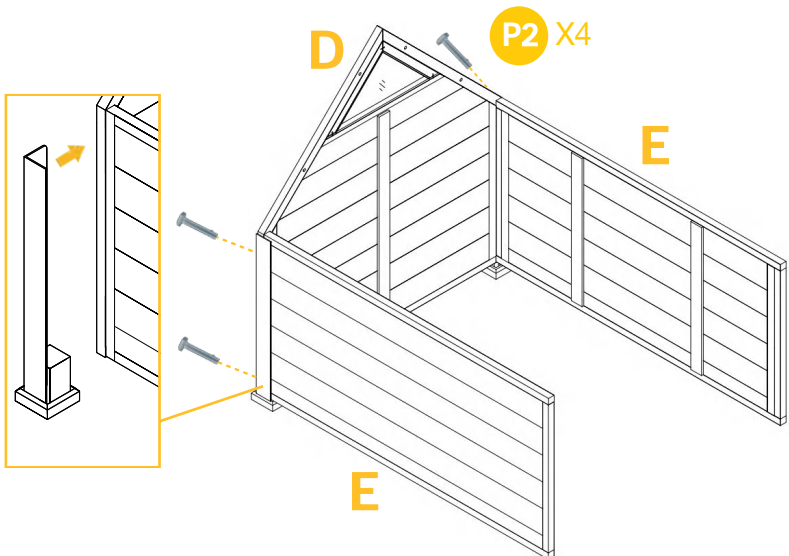
R

PRODUCT ASSEMBLY //

01 Attach the plastic feet Part C to the metal bars Part A & B with the buckle.

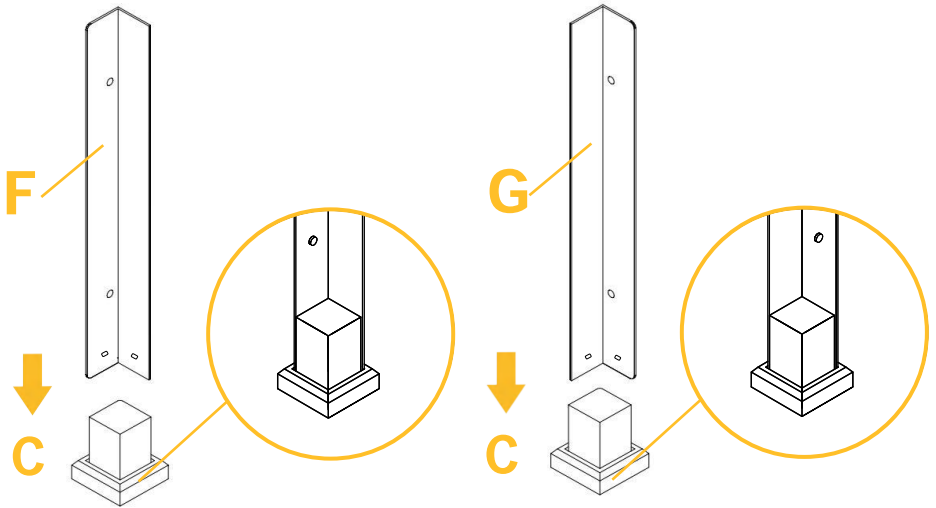


02 Attach the panel Part E & Part D with the metal bars Part A & B by 4xP2 screws.

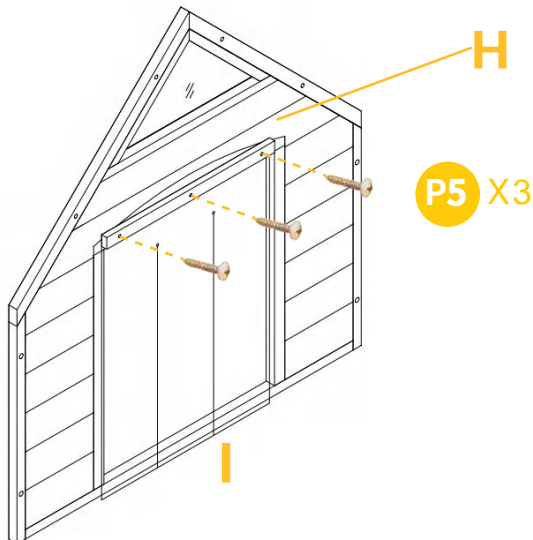


PRODUCT ASSEMBLY //

03 Attach the plastic feet Part C to the metal bars Part F & G with the buckle.

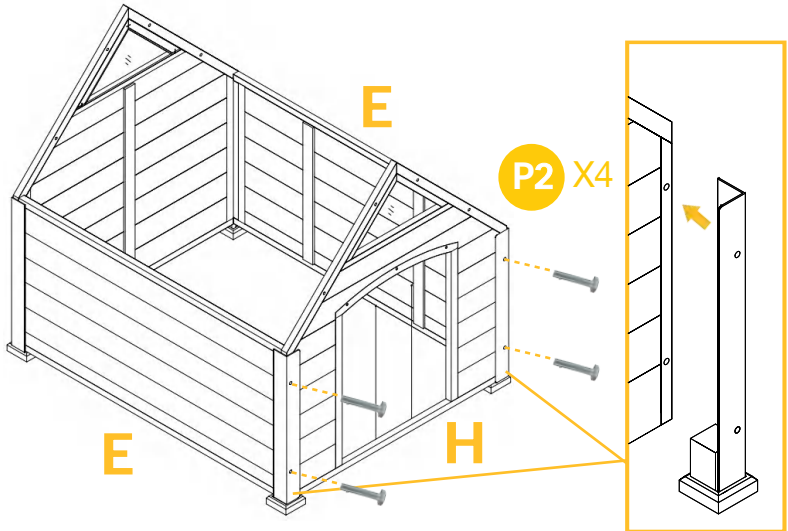


04 Screw the curtain Part I to the INSIDE of Part H by 3xP5 screws.

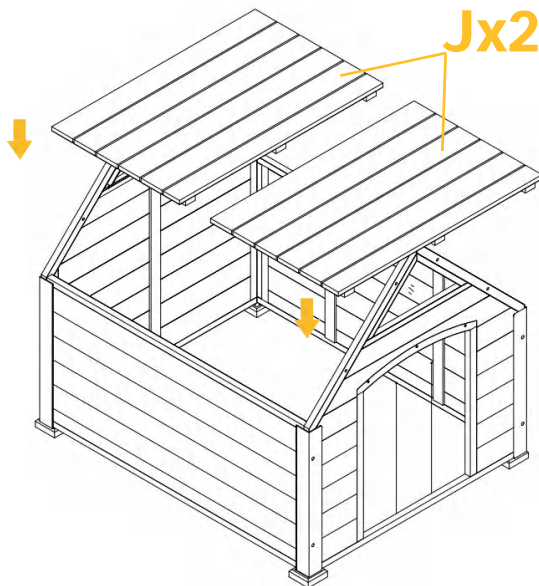


PRODUCT ASSEMBLY //

- 05** Attach the Part H to the house with the metal bars Part F & G by 4XP2 screws.

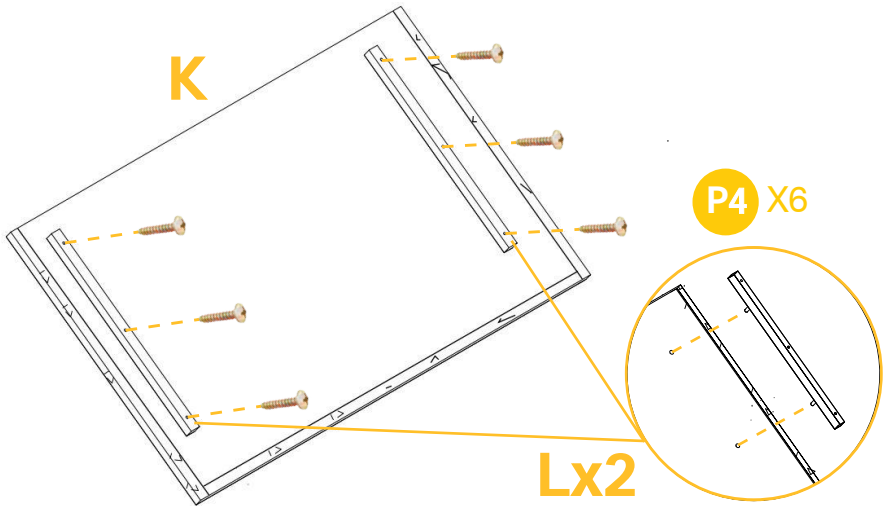


- 06** Put down the bottom floor Part J.

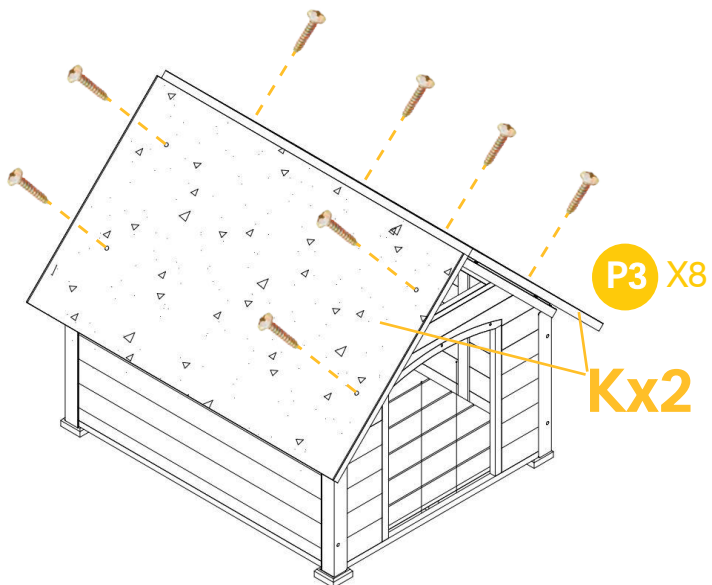


PRODUCT ASSEMBLY //

- 07** Screw Part L INSIDE of Part K by 6XP4 screws.
(There are pre-drilled holes on Part K).

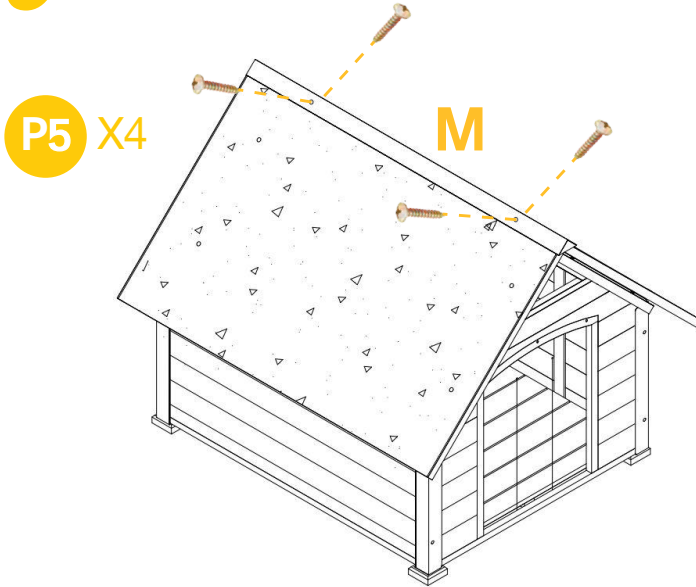


- 08** Attach Part K to the house by 8xP3 screws.

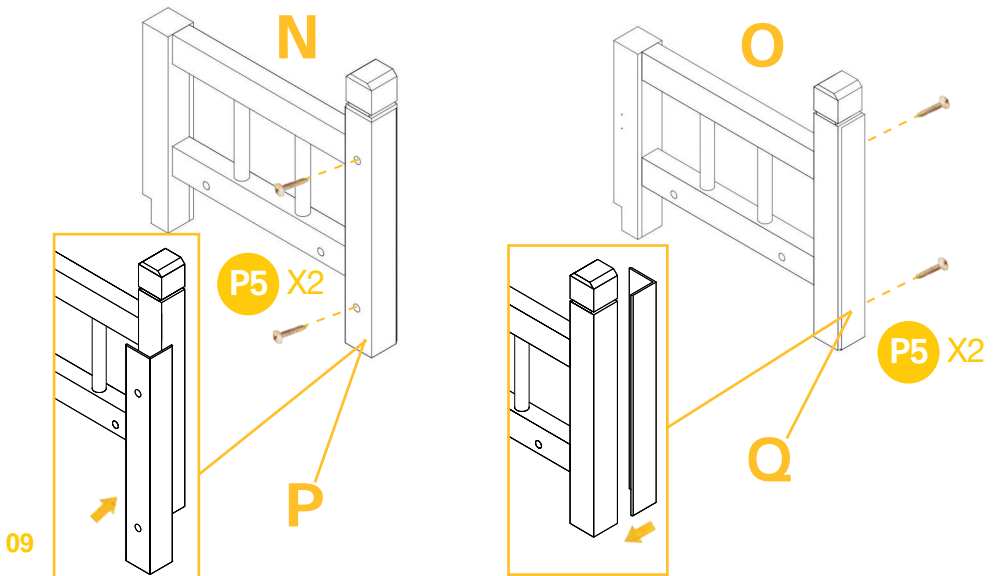


PRODUCT ASSEMBLY //

09 Attach Part M to the roof by 4xP5 screws.



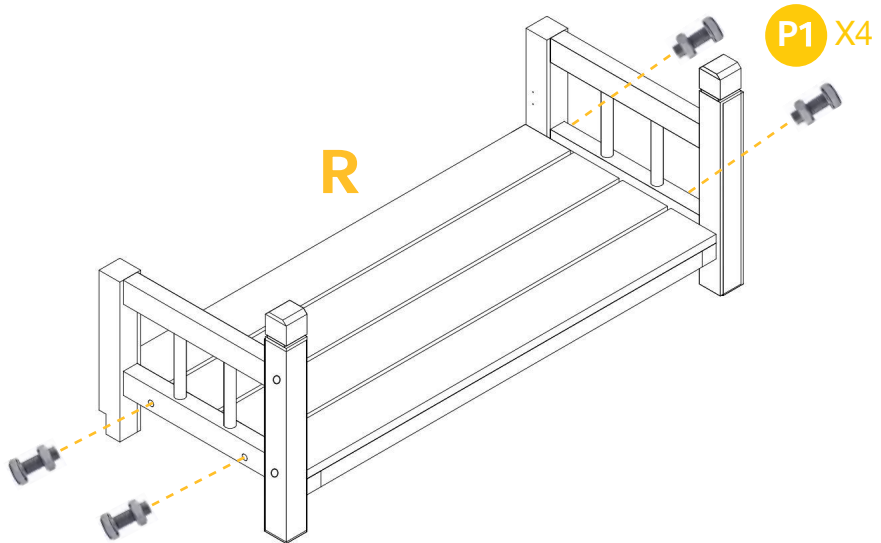
10 Attach the panel Part N & Part O with the metal bars Part P & Q by 2xP5 screws on each side.



PRODUCT ASSEMBLY //

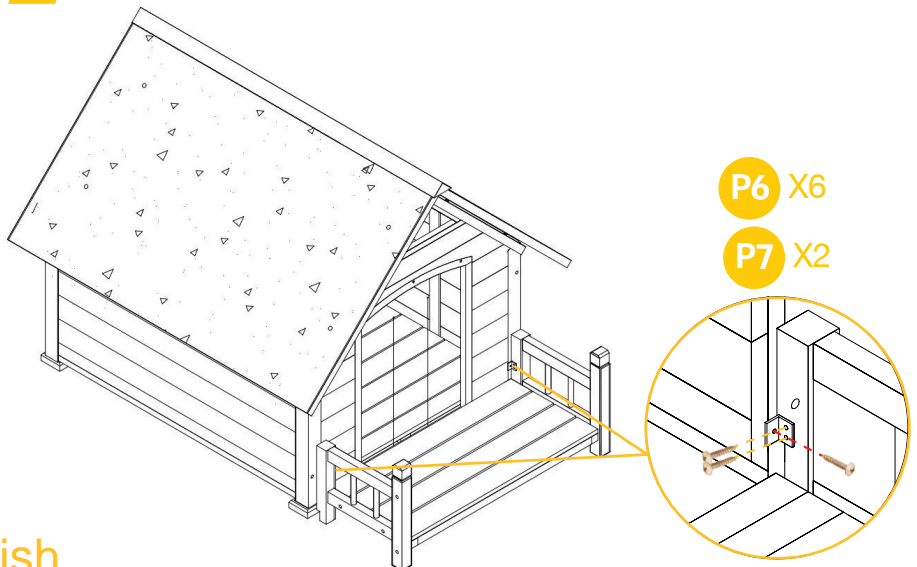
11

Attach Part R by 4xP1 bolts.



12

Attach the porch to the house using the P7 connection strap by 3xP6 screws on each side.



Finish



WARNING

Manufacturer and seller expressly disclaim any and all liability for personal injury, property damage or loss, whether direct, indirect, or incidental, resulting from the incorrect attachment, improper use, inadequate maintenance, or neglect of this product.