



Illustrated Parts Breakdown
Illustration des pièces détachées

E43™

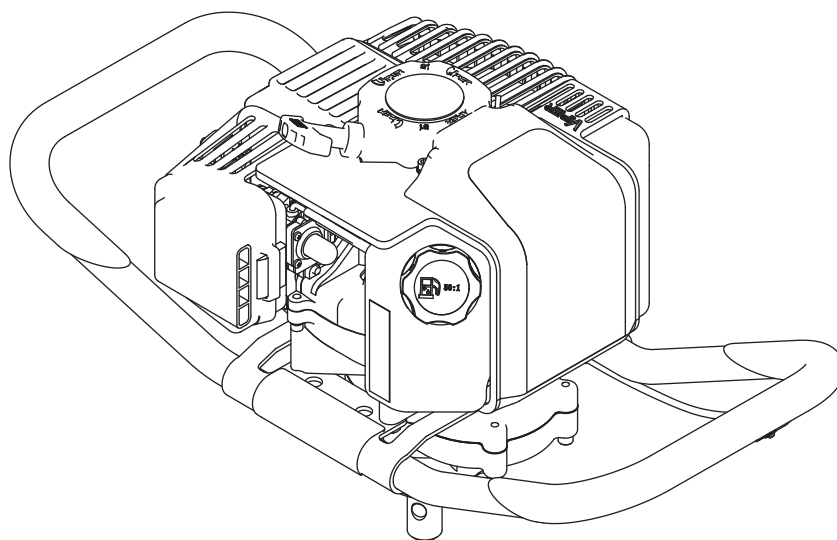
2-Cycle Earth Auger Powerhead

Model Numbers, Numéros de modèle :
E43

ENGLISH

FRANÇAIS

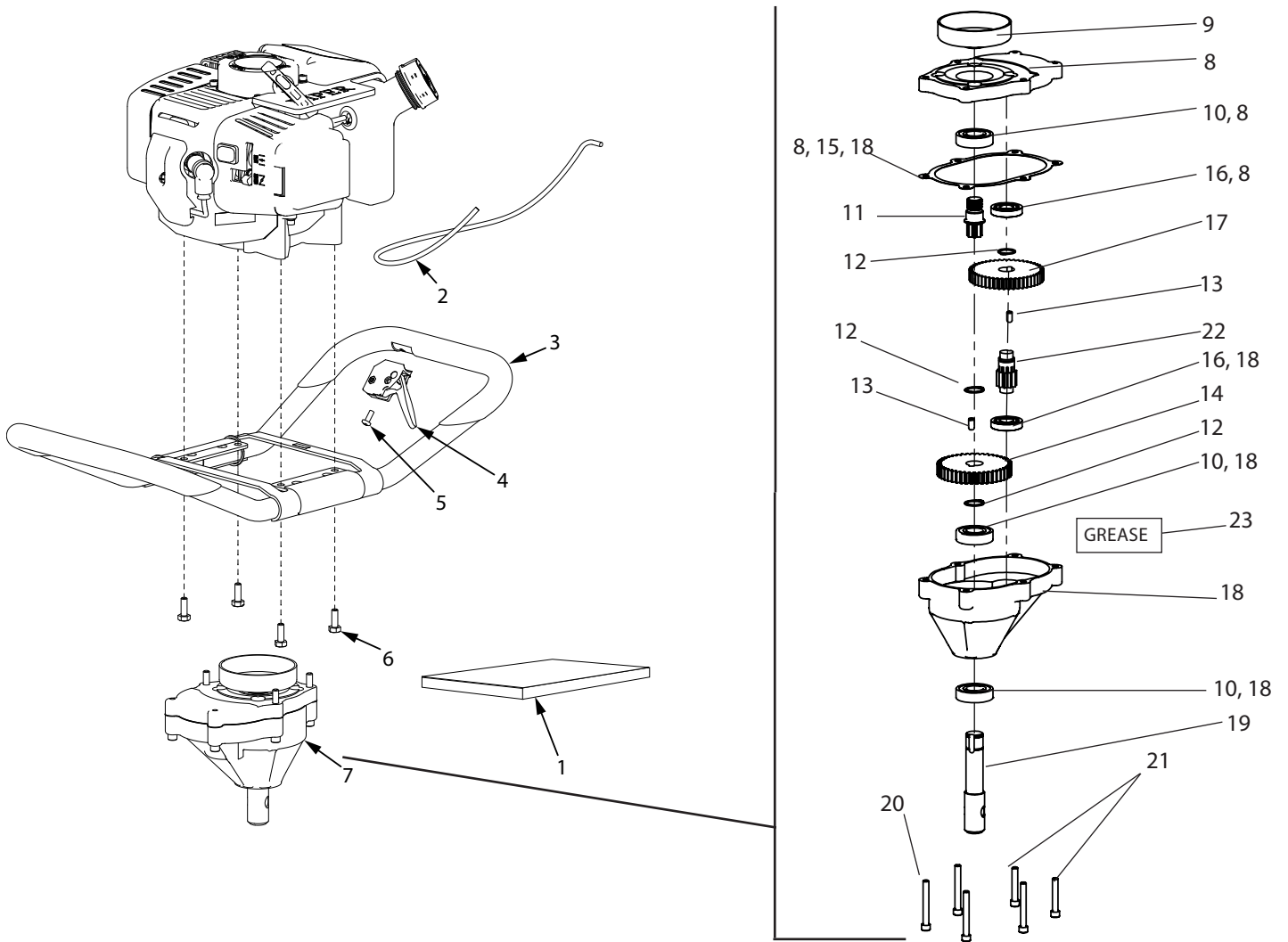
S/N



Get parts or technical assistance online at
www.GetEarthquake.com or call (800) 345-6007
Pièces détachées et assistance technique en ligne à
www.GetEarthquake.com ou composer le (800) 345-6007

© 2020 Ardisam
All Rights Reserved
Tous droits réservés
P/N: 35475
ECN: 12654
REV 1: 10/25/2019

ILLUSTRATED PARTS BREAKDOWN / ILLUSTRATION DES PIÈCES DÉTACHÉES - Powerhead & Transmission



ILLUSTRATED PARTS BREAKDOWN / ILLUSTRATION DES PIÈCES DÉTACHÉES - Powerhead & Transmission

REF. / REP.	PART NO. / N° RÉF.	DESCRIPTION	QTY. / QTÉ
1	35256	MANUAL PARTS BAG	1
2	14644	THROTTLE CABLE, E43	1
3	4828	HANDLEBAR THREADED	1
4	4825	ASSEMBLY TRIGGER LONG THROW	1
5	4827	BOLT 10-24 X 1/2 PPHMS GR5 ZN F-T	1
6	8930B	BOLT 1/4-20 X 3/4 HH GR5 BLK ZN	4
7	3004119	TRANSMISSION ASSEMBLY 30:1	1
8	75300	KIT TOP CASTING	1
9	3004100	CLUTCH DRUM	1
10	8922	BALL BEARING R12 DOUBLE LIP	3
11	9814	GEAR 7T PINION THREADED, 5/8" thread	1
12	8924	SNAP RING	3
13	8915	DOWEL PIN STEEL 1/4" X 1/2"	2
14	8912	GEAR 44T 3/4" HOLE	1
15	8919	GASKET	1
16	8923	BALL BEARING R10	2
17	8914	GEAR 48T HARD	1
18	75600	KIT LOWER CASTING	1
19	8913	SHAFT OUTPUT 7/8"	1
20	8931F	BOLT 1/4-20 X 2 SHCS F-T	4
21	8929	BOLT 1/4-20 X 1-1/2 SHCS	2
22	9214A	GEAR 10T CLUSTER PINION HT	1
23	11468	Grease EP2 moly	1

E43


43cc 2-CYCLE ENGINE
MOTEUR 2 TEMPS


⚠ WARNING/AVERTISSEMENT

Do not carry auger between holes with engine running. Carry powerhead and auger by handle bars only, NOT by auger. Activating throttle control when carrying auger may cause personal injury if hands or clothing are on or near rotating auger.

Ne pas porter la tarière entre deux forages avec le moteur en marche. Porter le bloc moteur et la tarière par les poignées seulement, PAS par l'outil. L'actionnement de la commande des gaz lorsqu'on porte la tarière peut provoquer des blessures corporelles si les mains ou les vêtements sont au contact ou à proximité de l'outil en rotation.

GAS/OIL
ESSENCE/HUILE
50:1

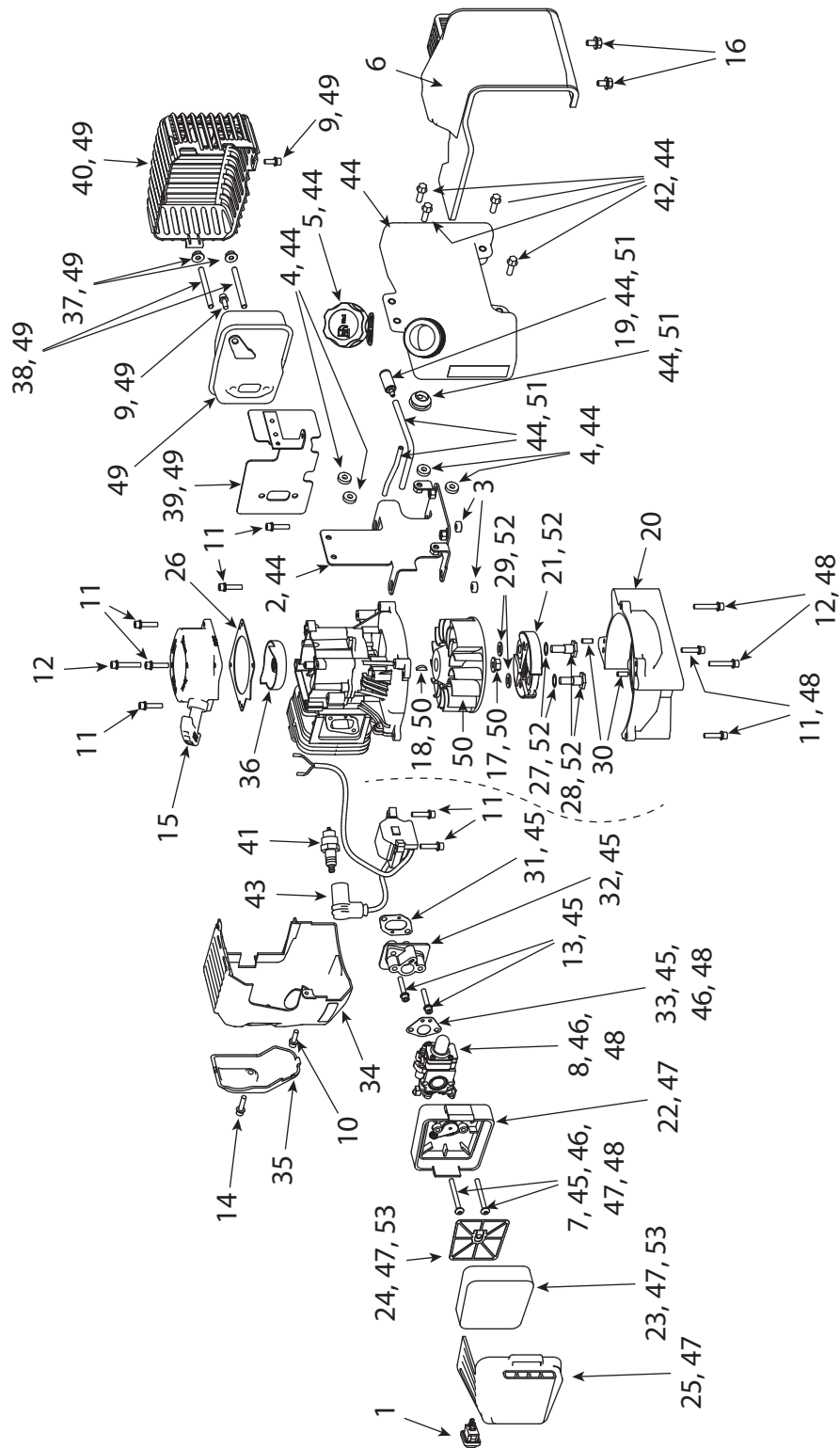




LBLVE43

Part No. LBLVE43
E43 SHROUD DECAL

ILLUSTRATED PARTS BREAKDOWN / ILLUSTRATION DES PIÈCES DÉTACHÉES - Engine Parts

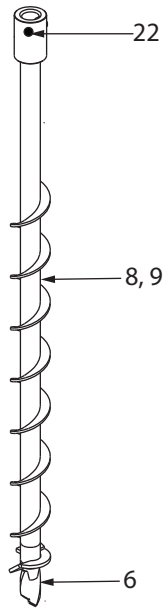


ILLUSTRATED PARTS BREAKDOWN / ILLUSTRATION DES PIÈCES DÉTACHÉES - Engine Parts

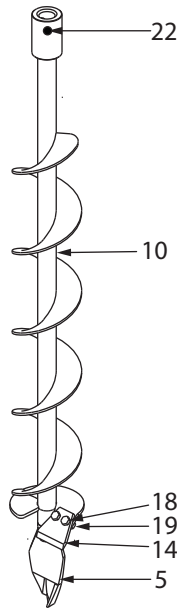
REF. / REP.	PART NO. / N° RÉF.	DESCRIPTION	QTY. / QTÉ
1	1021	ROCKER SWITCH	1
2	10682	GAS TANK MOUNT	1
3	11189	SPACER M5X5 MM STEEL	2
4	11190	SPACER M5X4 MM NYLON	4
5	11936	GAS CAP	1
6	300332	GAS TANK SHROUD	1
7	15209	BOLT M5X52 MM W/WASHER PHILLIPS	2
8	15261	CARBURETOR	1
9	17888	BOLT M5X12 MM W/WASHER SOCKET	2
10	17945	BOLT M5X16 MM W/WASHER SOCKET	1
11	17946	BOLT M5X20 MM W/WASHER SOCKET	9
12	17952	BOLT M5X28 MM W/WASHER SOCKET	3
13	28572	BOLT M5X25 MM W/WASHER SOCKET	2
14	30306	BOLT M5X22 MM W/WASHER SOCKET	1
15	30013	RECOIL ASSEMBLY	1
16	300336	BOLT M6X10 MM FLANGE	2
17	300337	NUT M8 FLANGE	1
18	300338	KEY FLYWHEEL	1
19	3004103	FUEL FILTER	1
20	3004110	MOUNT RING AND SHROUD	1
21	300413	CLUTCH ASSEMBLY WITH HARDWARE	1
22	3004150	AIR FILTER BASE	1
23	3004156	FOAM AIR FILTER	1
24	3004157	REINFORCEMENT PLATE	1
25	3004158	AIR FILTER COVER	1
26	300429	RECOIL PLATE	1

REF. / REP.	PART NO. / N° RÉF.	DESCRIPTION	QTY. / QTÉ
27	300449	WASHER M10 SPRING	2
28	300450	BOLT M8 SHOULDER	2
29	300462	WASHER M8	2
30	300467	DOWL PIN 5MM	2
31	300476	INTAKE GASKET	1
32	300478	WINDPIPE INTAKE	1
33	300479	CARBURETOR GASKET	1
34	300482	ENGINE SHROUD RED	1
35	300483	COVER ENGINE SHROUD BLACK	1
36	300491	RECOIL CLUTCH	1
37	300492	NUT M6 FLANGE	2
38	300493	STUD M6X62 MM	2
39	31760	MUFFLER HEAT SHIELD	1
40	31762	MUFFLER GUARD	1
41	35906	SPARK PLUG TORCH L7RTC	1
42	4647	BOLT M6X18 MM FLANGE	4
43	26579	IGNITION COIL	1
44	10683	KIT GAS TANK WITH FUEL LINES, GROMMET, FUEL FILTER, AND GAS CAP	1
45	11205	KIT INTAKE MANIFOLD	1
46	11334	KIT CARBURETOR REPLACEMENT	1
47	11350	KIT AIR FILTER ASSEMBLY	1
48	3004114	KIT CARBURETOR REPAIR	1
49	33350	KIT MUFFLER REPLACEMENT	1
50	11209	KIT FLYWHEEL	1
51	3004105	KIT FUEL LINES AND GROMMET	1
52	11235	KIT CLUTCH REPLACEMENT	1
53	11349	KIT AIR FILTER BLOCK REPLACEMENT	1

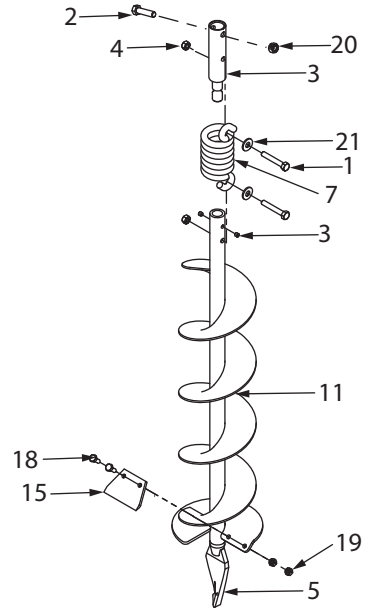
ILLUSTRATED PARTS BREAKDOWN / ILLUSTRATION DES PIÈCES DÉTACHÉES - Auger Accessories



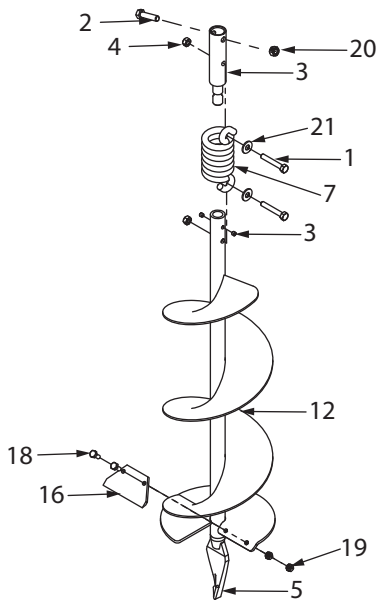
**Optional Accessory,
 Accessoires en option :**
EA2F, EA3F



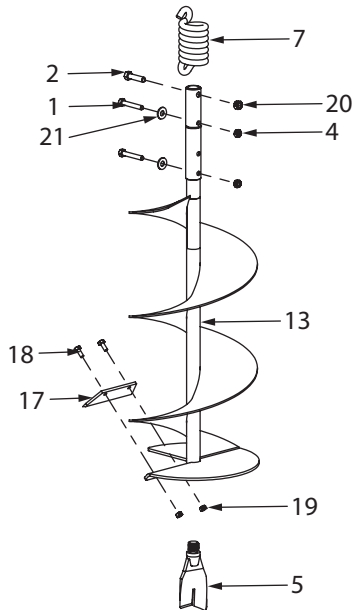
**Optional Accessory,
 Accessoires en option :**
EA4F



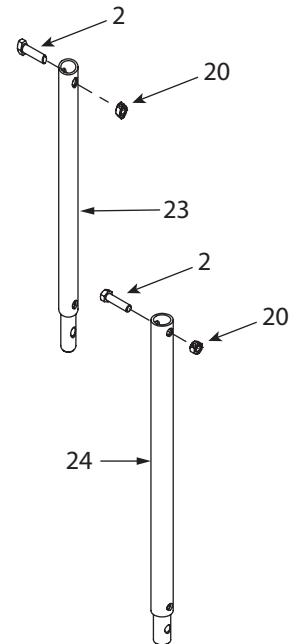
**Optional Accessory,
 Accessoires en option :**
EA6F



**Optional Accessory,
 Accessoires en option :**
EA8F




**Optional Accessory,
 Accessoires en option :**
EA10F



**Optional Accessory,
 Accessoires en option :**
EXT12, EXT18

REF. / REP.	PART NO. / N° RÉF.	DESCRIPTION	QTY. / QTÉ
1	1423	BOLT 5/16-18 X 2 IN	2
2	1433	BOLT 3/8-16 X 1-1/2 IN	1
3	22142	SHOCK TOP WITH SCREWS	1
4	60G56	NUT 5/16-18	2
5	8958HD	FISHTAIL POINT	1
6	8970	EARTH POINT	1
7	8980	SHOCK SPRING	1
8	EA2F	EARTH AUGER 2 IN WITH POINT	1
9	EA3F	EARTH AUGER 3 IN WITH POINT	1
10	EA4F	EARTH AUGER 4 IN WITH POINT	1
11	EA6F	EARTH AUGER 6 IN WITH POINT	1
12	EA8F	EARTH AUGER 8 IN WITH POINT	1
13	EA10F	EARTH AUGER 10 IN WITH POINT	1
14	EB4	EARTH BLADE 4 IN	1
15	EB6	EARTH BLADE 6 IN	1
15	EB6HD	EARTH BLADE (HEAVY DUTY) 6 IN	1
16	EB8	EARTH BLADE 8 IN	1
16	EB8HD	EARTH BLADE (HEAVY DUTY) 8 IN	1
17	EB10	EARTH BLADE 10 IN	1
17	EB10HD	EARTH BLADE (HEAVY DUTY) 10 IN	1
18	EBOLT	BOLT 1/4-28 X 5/8 IN	2
19	ENUT	NUT 1/4-28	2
20	2104	NUT 3/8-16	1
21	WF516	WASHER 5/16 IN	2
22	8955	BOLT 3/8-16 X 1-1/4 IN	1
23	EXT12	EXTENSION 12 IN	1
24	EXT18	EXTENSION 18 IN	1



Earthquake®

ARDISAM, INC.
1160 Eighth Avenue
PO Box 755
Cumberland, WI 54829

Phone, Téléphone : (800) 345-6007
Fax, Télécopieur : (715) 822-2124
www.GetEarthquake.com