



UltraFork ASSEMBLY INSTRUCTIONS

Part Number 33030300

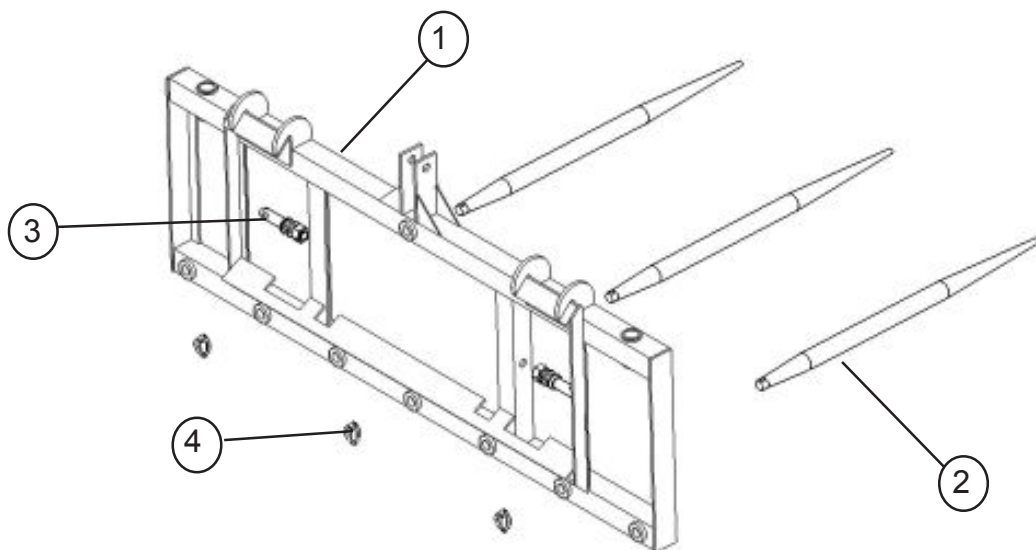


IMPORTANT SAFETY INFORMATION

Do not exceed the lift capacity of the tractor or loader with this attachment.
The maximum load capacity of this attachment is 2500 lbs. using a minimum of two tines.
Make sure that the attachment is securely mounted to the tractor or loader before operation.
Ensure that the tines are attached to the bale spear with the lynch pins provided.

Assembly

This device can be attached to the front or rear of a category 1 or 2 tractor or a skid steer. It is also quick hitch compatible.



Parts List

Reference Number	Part Number	Description	Quantity
1	33030400	Ultra Fork Frame	1
2	33030500	Ultra Fork Tine	3
3	07020800	Draw Pin, Cat. 1	2
4	07090100	7/16" Lynch Pin	3

