



*Patent Pending

TL4500

Easily change belts, blades and service front tires

Tractor Lift can be used out of the box on most Zero-Turn brands available through major retailers.

Maintenance

Store in a clean dry place.

Recommended tire pressure - 30 PSI.

Before each use:

Always check tire pressure.

Always inspect unit for damage.

Always check fasteners for tightness.

Tools required for assembly:

1. 9/16" wrench and/or socket
2. Adjustable wrench
3. Pliers



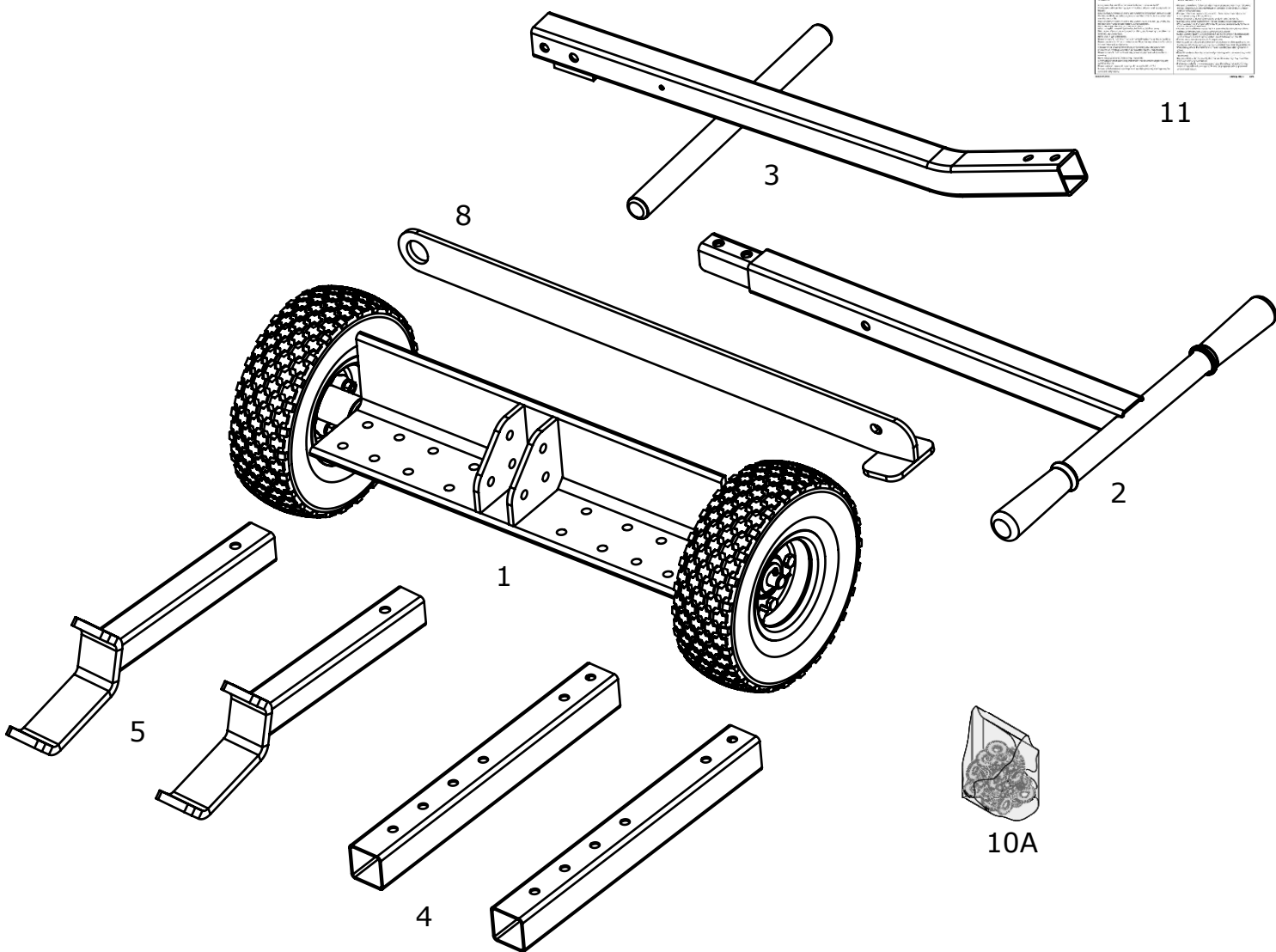
If there are any missing parts, or if you have any questions on assembly, operation, maintenance or safety, please call 800-652-2321

WARNINGS

- Always use the stabilizer bar provided when using tractor lift.
- Make sure stabilizer bar is properly in place before starting any work on tractor.
- Read and understand all safety and operating instructions before using the tractor lift. Never allow anyone unfamiliar with these instructions to use the tractor lift.
- Read and understand all safety and operating instructions provided by the tractor's manufacturer before using tractor lift.
- Never lay under the tractor or mowing deck.
- When using lift, keep all bystanders, including children, away.
- This tractor lift must be only used for lifting and lowering to and from a level and stable surface.
- Never use in wet conditions.
- Do not attempt to lift the front and back of the tractor at the same time.
- Do not use tractor lift as an automotive lift, or for any other use for which it is not intended or designed.
- If tractor lift is bowing while lifting or lowering your tractor, which indicates an overload condition, remove the tractor immediately.
- Do not attempt to lift or lower any power equipment while motor is running.
- Never engage blades while using tractor lift.
- Always disconnect spark plug wire from tractor before beginning any work on tractor.
- Do not exceed the rated capacity of the tractor lift - 275 lbs.
- Failure to follow these warnings may result in property damage and/or serious bodily injury.

SAFETY INSTRUCTIONS

- Be sure to read and follow all safety instructions and warnings. Failure to follow these instructions may result in damage to the product and/or serious personal injury.
- Danger of serious personal injury exists. Serious personal injury can occur when using a lifting device.
- Never attempt to ride any vehicle up or down the tractor lift.
- Do not climb onto tractor while tractor is in the elevated position.
- When working on the front of the tractor always place wheel chocks in back of the rear wheels/tires.
- Always raise and lower tractor lift in a controlled fashion; do not allow the tractor to drop too quickly, damage could occur.
- Make sure lifting arms are aligned and set to the proper distance apart so that the equipment being loaded is well balanced on the lift.
- Do not remove warning decals from product.
- Before each use, always check for any worn, loose, or damaged parts on the tractor lift. If any damage is present, DO NOT USE THE TRACTOR LIFT.
- Periodically check the fasteners to make sure they are still tight and in place.
- Keep lift surface clean by occasionally cleaning with water and any mild detergent.
- Do not add to or try to modify the tractor lift in any way. Any modifications will void any warranties.
- Failure to abide by the warnings and read the safety instructions may result in loss of load, damage to lift and/or property, serious personal and/or fatal injury.



REF NO	QTY	DESCRIPTION	REF NO	QTY	DESCRIPTION
1	1	Angle Frame	5	2	Lift Tube
2	1	Handle Top	8	1	Stabilizer Bar
3	1	Handle Bottom	10A	1	Hardware Bag #1
4	2	Receiver Tube	11	1	Assembly Guide

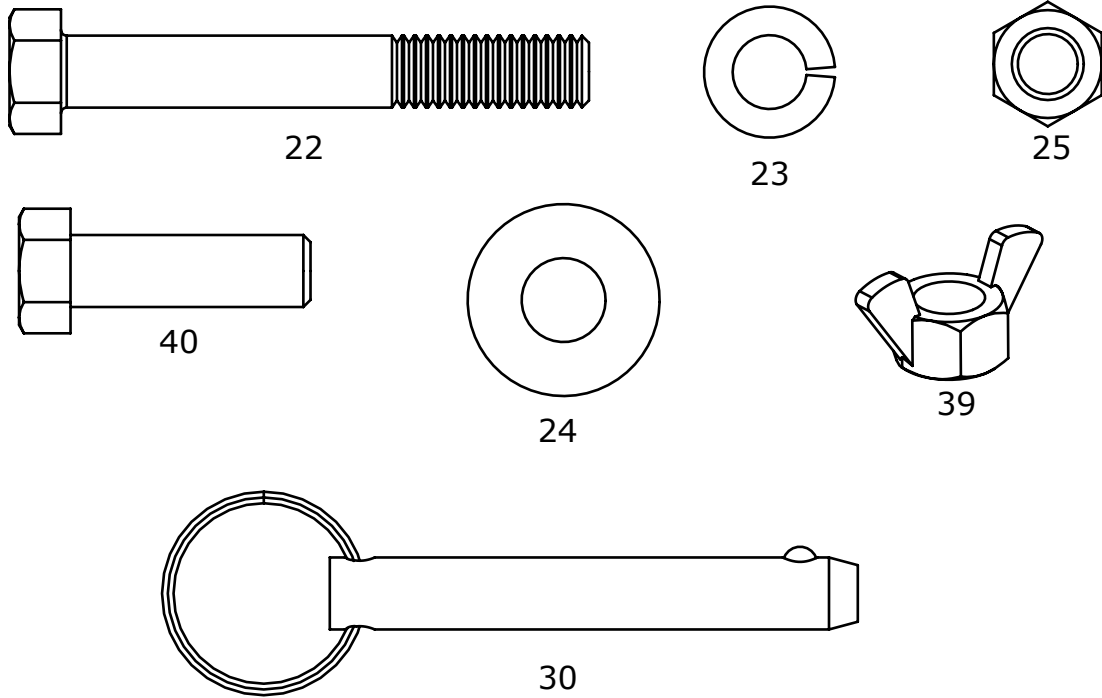
TOOLS REQUIRED FOR ASSEMBLY

9/16" Wrench and/or Socket
Adjustable wrench
Pliers

MAINTENANCE

Store unit in a clean dry place.
Recommended tire pressure - 30 PSI.
Before each use:
Always check tire pressure.
Always inspect unit for damage.
Always check fasteners for tightness.

HARDWARE CONTENTS



HARDWARE CONTENTS

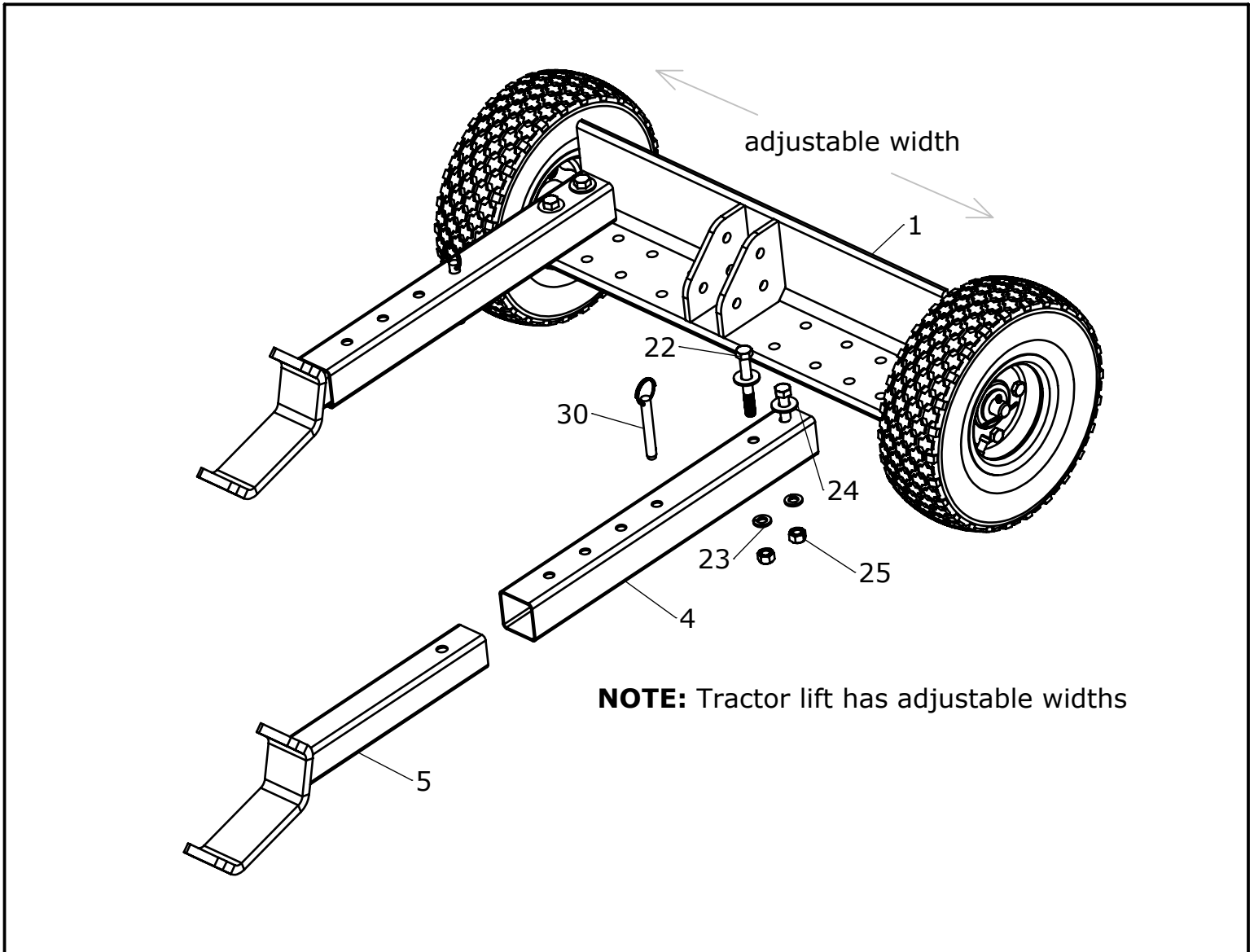
REF NO	QTY	PART NUMBER	DESCRIPTION
22	6	310051	3/8"-16 x 2-3/4" Hex Bolt
23	8	310072	3/8" Split Lock Washer
24	6	310073	3/8" USS Flat Washer
25	6	310062	3/8"-16 Hex Nut
30	3	310081	3/8" Ring Grip Pin
39	1	310064	3/8" Wing Nut
40	2	310055	3/8"-16 x 1-1/4" Hex Bolt

Assemble Tractor Lift

Attach Lift Tubes to Angle Frame

- Attach receiver tubes (4) to angle frame (1) using bolts (22), flat washers (24), split lock washers (23) and hex nuts (25).
- Slide lift tubes (5) into receiver tubes (4) secure with ring grip pins (30).

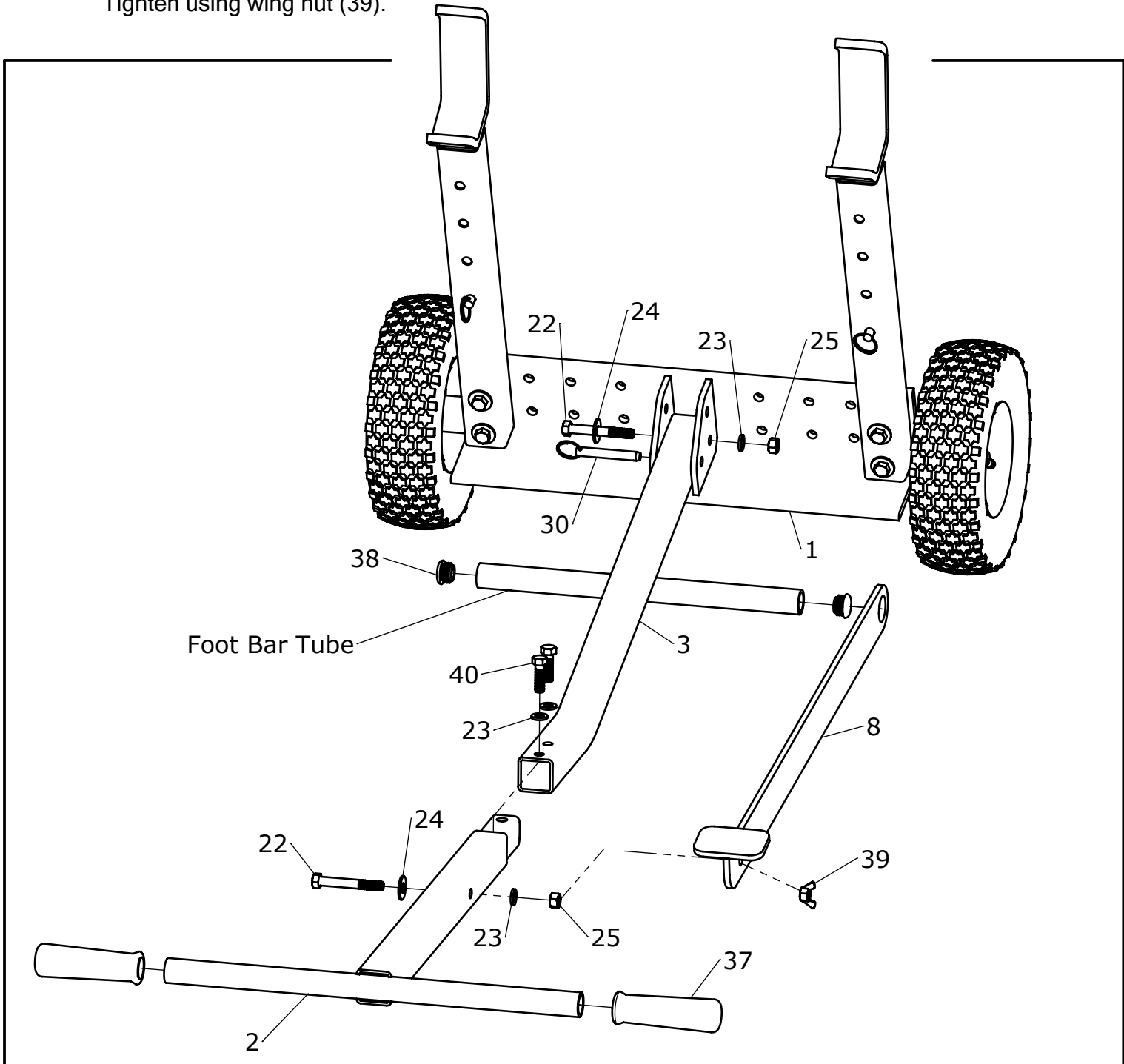
Note: Over-tightening receiver bolts (22) could cause damage to lift tubes (4).



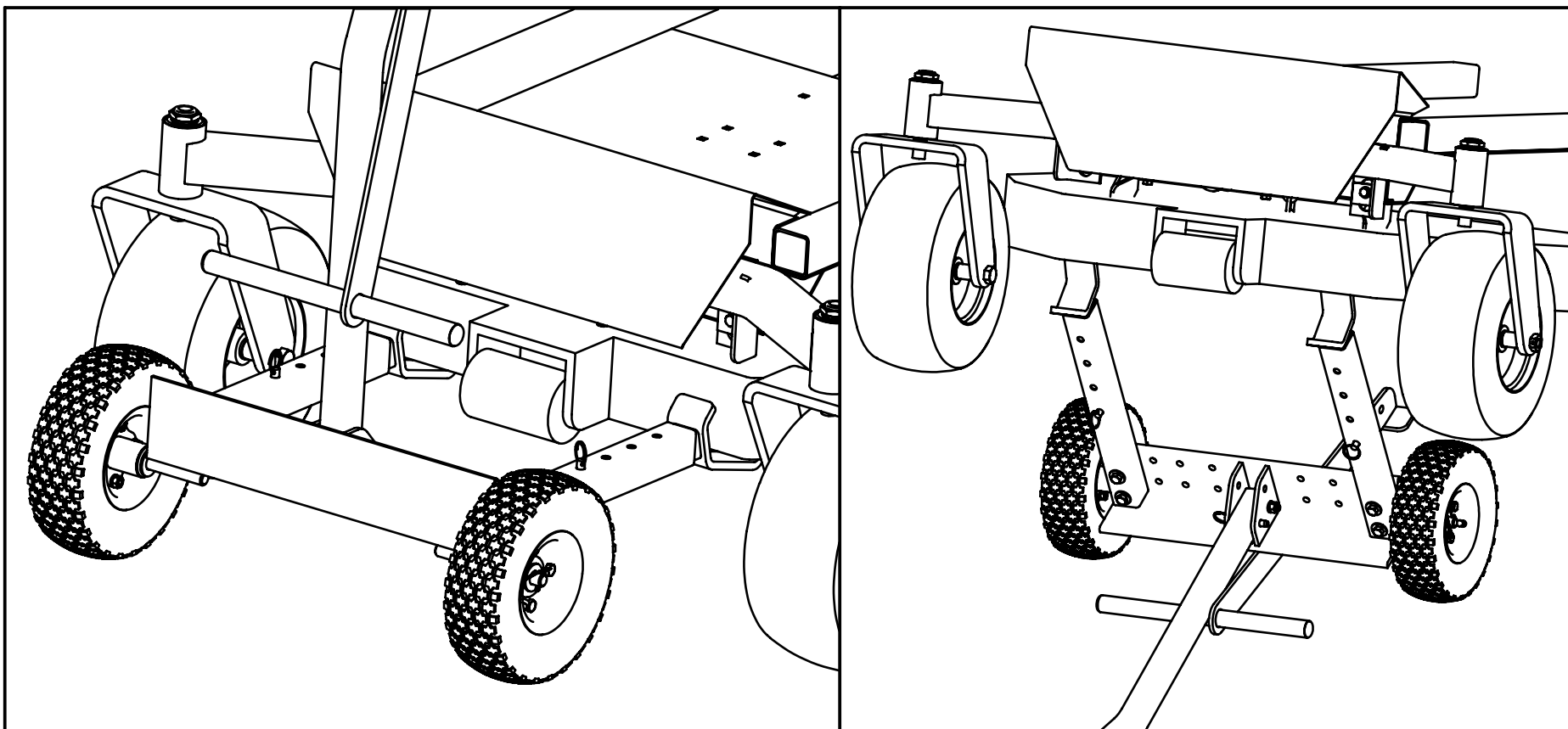
Assemble Tractor Lift

Attach Handle to Angle Frame

- Step 1. Attach handle bottom (3) to angle frame (1) using hex bolt (22), flat washer (24), split lock washer (23) and hex nut (25).
- Step 2. Insert ring grip pin (30), plugs (38) and grips (37) as shown.
- Step 3. Insert handle top (2) into handle bottom (3). Secure with hex bolts (40), and split lock washers (23).
- Step 4. Slide stabilizer bar (8) onto Foot Bar Tube. Insert hex bolt (22) and flat washer (24) through side of handle top (2). Tighten using split lock washer (23) and hex nut (25).
- Step 5. Align hole in stabilizer bar (8) with hex bolt (22). Tighten using wing nut (39).



Using the Tractor Lift



- Center Tractor Lift in front of tractor.
- Align lift tube claws with mowing deck and roll Tractor Lift forward to engage.
- Check that claws are securely hooked under the mowing deck.
- Place foot onto foot bar and apply continuous forward pressure with foot while pulling down on tractor lift handle.
- Once lifted, the weight of the tractor will automatically force the handle down into the correct position.
- **IMPORTANT:** Stabilizer bar **MUST** be engaged immediately after raising the tractor. See Step 3 on page 7 for instructions.

OPERATION

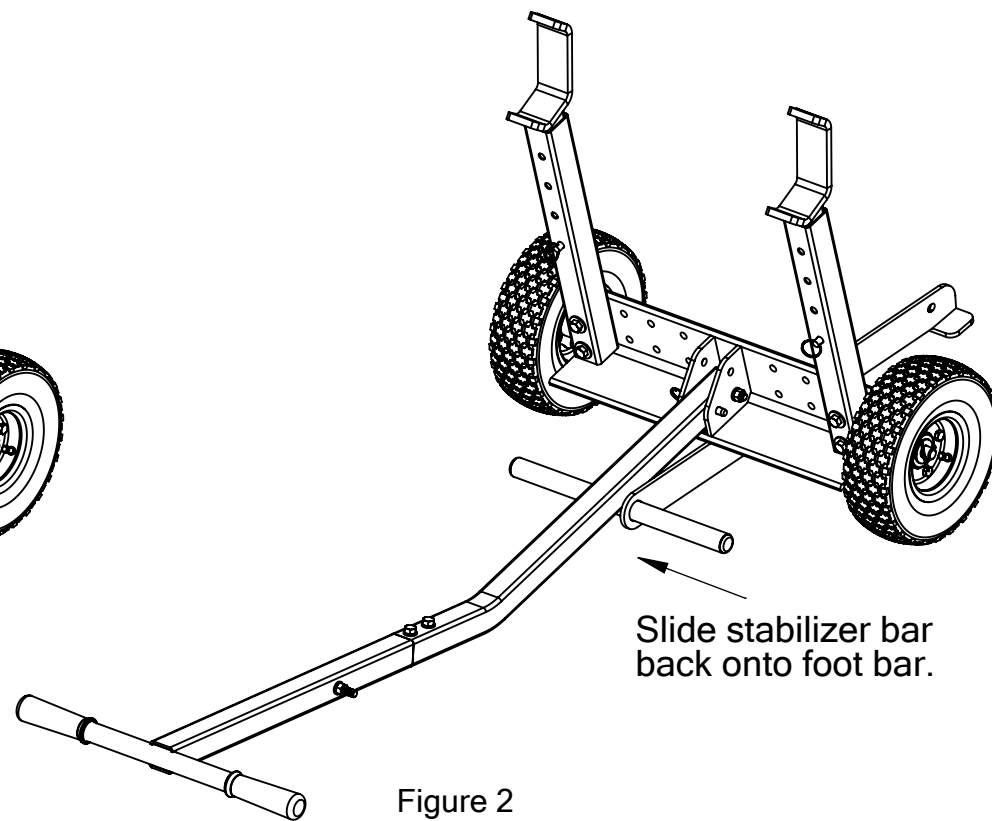
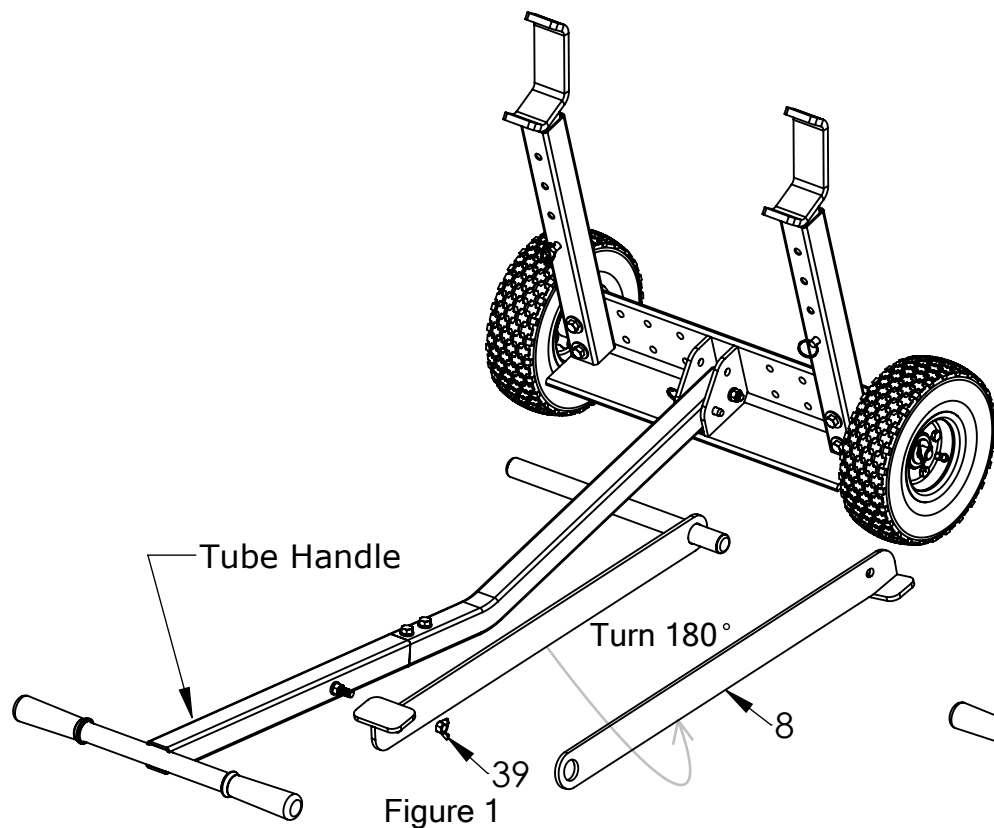
Using the Tractor Lift

Step 3. Engaging Stabilizer Bar

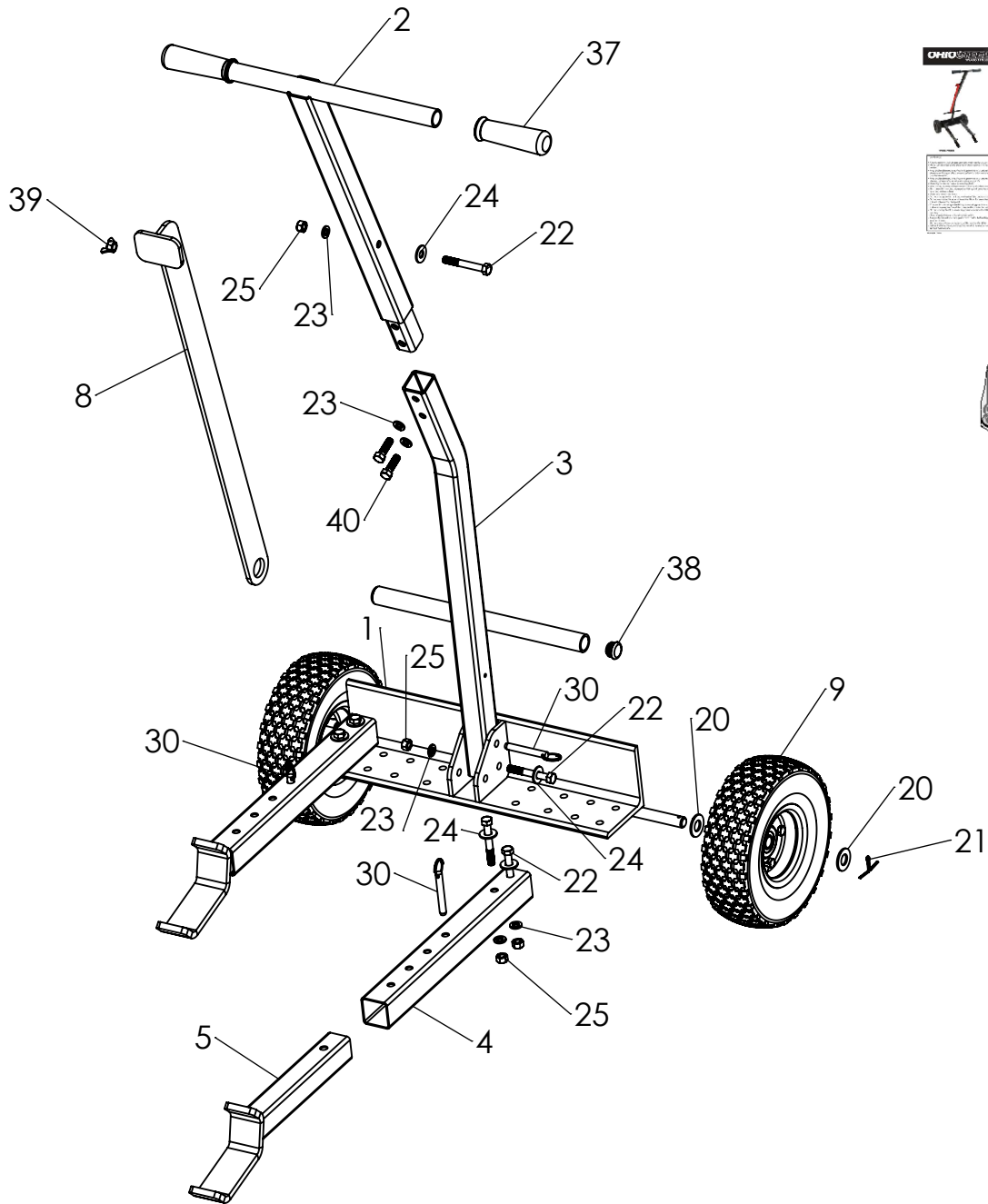
Stabilizer bar **MUST** be engaged immediately after raising the tractor.

WARNING: Failure to engage stabilizer bar may result in serious personal injury and or property damage.

- Remove securing wingnut (39) from tube handle. Slide stabilizer bar (8) from foot bar tube.
- Turn stabilizer bar 180 degrees as shown at bottom of Figure 1.
- Position stabilizer bar under base of unit between wheels.
- Slide stabilizer bar back onto foot bar tube as shown in Figure 2.



Service Parts List



11



10A

REF. NO.	PART NO.	AMT.	DESCRIPTION	REF. NO.	PART NO.	AMT.	DESCRIPTION
1	510011	1	Angle Frame	21	300081	2	Cotter Pin 1/8" x 1-1/2"
2	510024	1	Handle Top	22	310051	6	3/8"-16 x 2-3/4" Hex Bolt
3	510032	1	Handle Bottom	23	310072	8	3/8" Split Lock Washer
4	410091	2	Receiver Tube	24	310073	6	3/8" USS Flat Washer
5	510042	2	Lift Tube	25	310062	6	3/8"-16 Hex Nut
8	51006	1	Stabilizer Bar	30	310081	3	3/8" x 2-1/8" Ring Grip Pin
9	310011	2	Tire 4.10/3.50-4	37	310181	2	Handle Grip
10A	310035	1	Hardware Bag #1	38	310221	2	Tube Plug RT8-1
11	6000161	1	Assembly Manual	39	310064	1	3/8"-16 Wing Nut
20	310071	4	5/8" SAE Flat Washer	40	310055	2	3/8"-16 x 1-1/4" Hex Bolt