

# Owner's Instruction and Operation Manual



Model Number:

**KP5522**



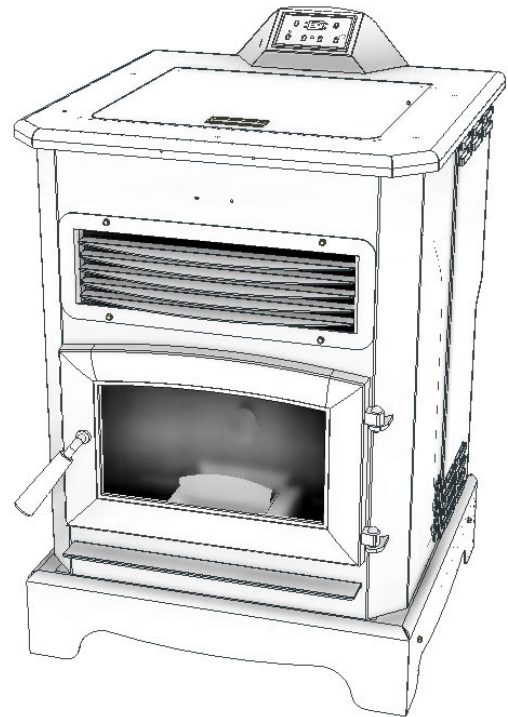
Report Number: F22-782

Certified to ASTM E1509-2022

and CAN/ULC S627:2023

Mobile Home / Transportable

Building Approved



\* All Pictures In This Manual Are For Illustrative Purposes Only. Actual Product May Vary.

853930C-4205M

Save These Instructions In A Safe Place For Future Reference.



**SAFETY NOTICE:** If this heater is not properly installed, a house fire may result. For your safety, follow the installation instructions. Never use make-shift compromises during the installation of this heater. Contact local building or fire officials about permits, restrictions and installation requirements in your area. **NEVER OPERATE THIS PRODUCT WHILE UNATTENDED.**



**CAUTION!** Please read this entire manual before you install or use your new room heater. Failure to follow instructions may result in property damage, bodily injury, or even death. Improper Installation Will Void Your Warranty!

**U.S. Environmental Protection Agency**

Certified to comply with 2020 particulate emissions standards.

**⚠ CALIFORNIA PROPOSITION 65 WARNING:**

This product can expose you to chemicals including carbon monoxide, which is known to the State of California to cause cancer, birth defects, and/or other reproductive harm. For more information, go to [www.P65warnings.ca.gov](http://www.P65warnings.ca.gov)

THIS MANUAL IS SUBJECT TO CHANGE WITHOUT NOTICE.



# INTRODUCTION

Your pellet stove has been safety tested and listed to ASTM E1509-12 (2017) and CAN/ULC S627:2023. This manual describes the installation and operation of the King KP5522 pellet stove. This heater meets the 2020 U.S. Environmental Protection Agency’s emission limits for wood-heaters sold after May 15, 2020. Under specific EPA test conditions burning wood pellet fuel this heater has been shown to deliver heat at a rate of 13,640 to 32,591 Btu/hr. This heater achieved a particulate emissions rate of 1.5 g/hr when tested to method ASTM E 2779 / EPA Method 28R and 76% efficiency.

Heating Specifications		
Fuel Burn Rate*	2.1 to 5 lbs/hr (0.97 to 2.26 kg/hr)	* Pellet size may effect the actual rate of fuel feed and burn times. Fuel feed rates may vary by as much as 20%. Use PFI listed fuel for best results.
Burn Time (lowest setting)	80 hrs.	
Hopper Capacity	170lbs. (77kg)	
Flue Size	3” or 4”	
Electrical Specifications		
Electrical Rating	110-120 Volts AC, 60 HZ, 3.0 Amps	
Watts (operational)	175 (approx.)	
Watts (igniter running)	425 (approx.)	
Dimensions		
Overall: Height x Width X Depth	40” (1003mm) X 24” (610mm) X 30” (762mm)	

**WARNING:**

**IT IS AGAINST FEDERAL REGULATIONS TO OPERATE THIS WOOD HEATER IN A MANNER INCONSISTENT WITH THE OPERATING INSTRUCTIONS IN THE OWNER’S MANUAL.**



**Note:** Register your product online at [www.usstove.com](http://www.usstove.com) or download the free app today. This app is available only on the App Store for iPhone and iPad. Search US Stove. Save your receipt with your records for any claims.

**For Customer Service, please call:**  
**1-800-750-2723 Ext 5050 or;**  
**Text to 423-301-5624 or;**  
**Email us at:**  
**customerservice@usstove.com**

# INSTALLATION CHECKLIST



Your Wood Stove should be installed by a qualified installer only. An NFI qualified Installer can be found at [www.nficertified.org/public/find-an-nfi-pro/](http://www.nficertified.org/public/find-an-nfi-pro/)

## CUSTOMER SERVICE

1-800-750-2723 ext 5050  
Text to 423-301-5624  
Email to: [Customerservice@usstove.com](mailto:Customerservice@usstove.com)

## COMMISSIONING CHECKLIST

This checklist is to be completed in full by the qualified person who installs this unit. Keep this page for future reference. Failure to install and commission according to the manufacturer's instructions and complete this checklist will invalidate the warranty.

Please Print

Customer Name:	Telephone Number:
Address:	
Model:	
Serial Number:	
Installation Company Name:	Phone Number:
Installation Technician's Name:	License Number:

## DESCRIPTION OF WORK

Location of installed appliance: \_\_\_\_\_

Venting System: New Venting System  Yes  No If yes, Brand \_\_\_\_\_

If no, Date of inspection of existing venting system: \_\_\_\_\_

## COMMISSIONING

- Confirm Hearth Pad Installation as per Installation Instructions.....
- Confirm proper placement of internal parts.....
- Check soundness of door gasket and door seals .....
- Confirm clearances to combustibles as per installation instructions in this manual .....
- Check the operations of the air controls.....
- Confirm the venting system is secure and sealed .....
- Confirm the stove starts and operates properly .....
- Check to ensure a CO alarm is installed as per local building codes and is functional .....
- Explain the safe operation, proper fuel usage, cleaning, and routine maintenance requirements.....

Declaration of Completion: As the qualified person responsible for the work described above, I confirm that the appliance as associated work has been installed as per manufacturer's instructions and following any applicable building and installation codes.

Signed: \_\_\_\_\_ Print Name: \_\_\_\_\_ Date: \_\_\_\_\_

**Home Owner: RETAIN THIS INFORMATION FOR FUTURE REFERENCE**

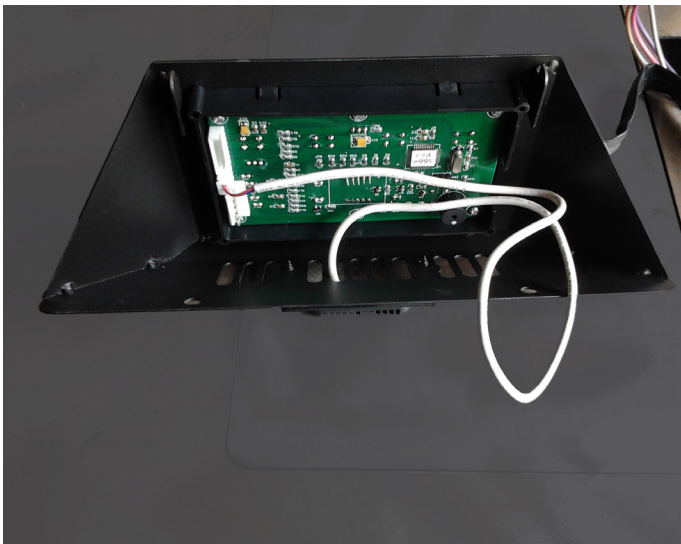
**FOR CUSTOMER SERVICE CALL: 800-750-2723 EXT 5050**

## TOP CONTROL MOUNT INSTALLATION

1. Pull the factory installed wires out of the top of the stove. There will be two wire harnesses, as shown.



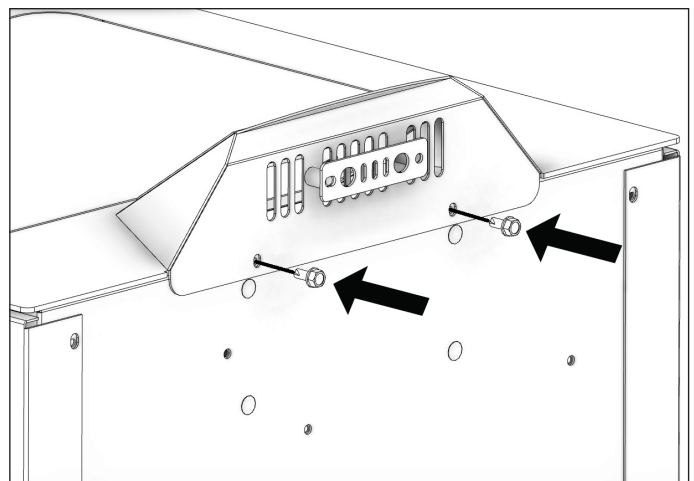
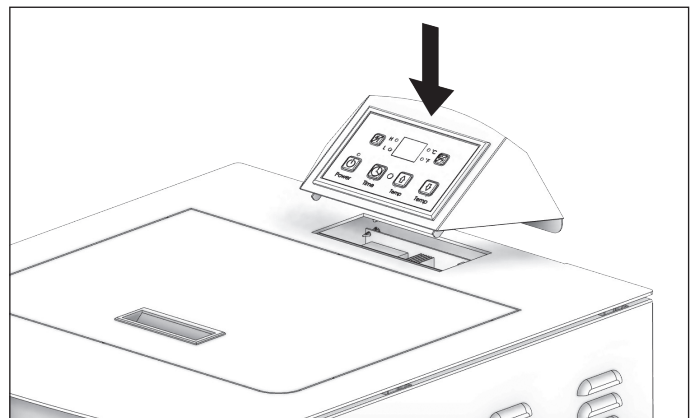
2. Unpack the top mount controls and ensure that the wiring harness shown is attached securely.



3. Connect the factory installed wiring harnesses to the control panel as shown.

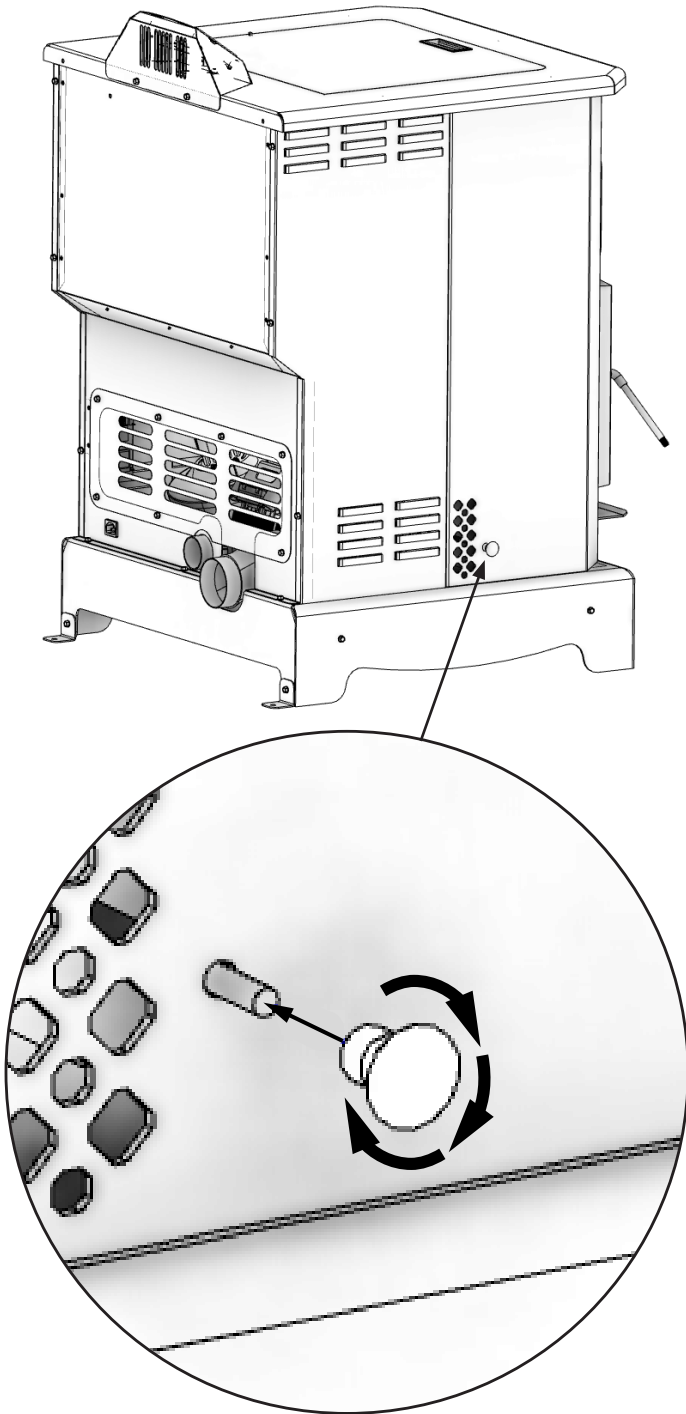


4. Secure the control panel to the top of the stove with two sheet metal screws.



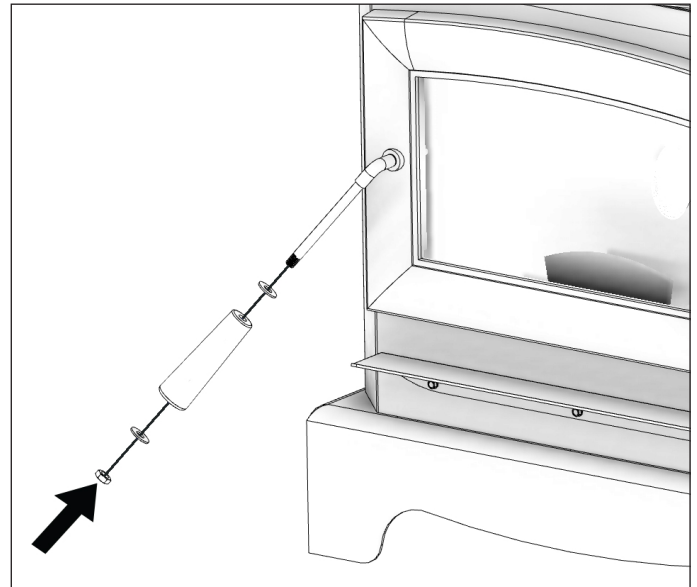
## DAMPER HANDLE INSTALLATION

Twist the damper knob clockwise onto the damper rod.



## DOOR HANDLE INSTALLATION

1. Slide one of the provided washers onto the door handle rod.
2. Next slide the wood handle onto the door handle rod.
3. Slide the other provided washer onto the door handle rod.
4. Screw the provided nut onto the end of the door handle rod to secure everything in place.



### SAFETY NOTICE

- IF THIS STOVE IS NOT PROPERLY INSTALLED, A HOUSE FIRE MAY RESULT. TO REDUCE THE RISK OF FIRE, FOLLOW THE INSTALLATION INSTRUCTIONS.
- CONTACT YOUR LOCAL BUILDING OFFICIALS TO OBTAIN A PERMIT AND INFORMATION ON ANY ADDITIONAL INSTALLATION RESTRICTIONS OR INSPECTION REQUIREMENTS IN YOUR AREA.
- DO NOT PLACE CLOTHING OR OTHER FLAMMABLE ITEMS ON OR NEAR THIS STOVE.
- NEVER USE GASOLINE, GASOLINE-TYPE LANTERN FUEL, KEROSENE, CHARCOAL LIGHTER FLUID, OR SIMILAR LIQUIDS TO START OR 'FRESHEN UP' A FIRE IN THIS STOVE. KEEP ALL SUCH LIQUIDS WELL AWAY FROM THE STOVE WHILE IT IS IN USE.
- THIS APPLIANCE IS A FREESTANDING HEATER. IT IS NOT INTENDED TO BE ATTACHED TO ANY TYPE OF DUCTING. IT IS NOT A FURNACE. DO NOT CONNECT THIS UNIT TO ANY AIR DISTRIBUTION DUCT OR SYSTEM. THIS APPLIANCE IS NOT INTENDED FOR COMMERCIAL USE.
- INSTALL VENT AT CLEARANCES SPECIFIED BY THE VENT MANUFACTURER.
- DO NOT INSTALL A FLUE DAMPER IN THE EXHAUST VENTING SYSTEM OF THIS UNIT.
- YOUR STOVE REQUIRES PERIODIC MAINTENANCE AND CLEANING (SEE "MAINTENANCE"). FAILURE TO MAINTAIN YOUR STOVE MAY LEAD TO IMPROPER AND/OR UNSAFE OPERATION.
- A POWER SURGE PROTECTOR IS REQUIRED. THIS UNIT MUST BE PLUGGED INTO A 110 - 120V, 60 HZ GROUNDED ELECTRICAL OUTLET. DO NOT USE AN ADAPTER PLUG OR SEVER THE GROUNDING PLUG. DO NOT ROUTE THE ELECTRICAL CORD UNDERNEATH, IN FRONT OF, OR OVER THE HEATER. DO NOT ROUTE THE CORD IN FOOT TRAFFIC AREAS OR PINCH THE CORD UNDER FURNITURE.

### CAUTION:

**BURNING FUEL CREATES CARBON MONOXIDE AND CAN BE HAZARDOUS TO YOUR HEALTH IF NOT PROPERLY VENTED.**

### ATTENTION:

- A WORKING SMOKE DETECTOR MUST BE INSTALLED IN THE SAME ROOM AS THIS PRODUCT.
- INSTALL A SMOKE DETECTOR ON EACH FLOOR OF YOUR HOME; IN CASE OF ACCIDENTAL FIRE FROM ANY CAUSE IT CAN PROVIDE TIME FOR ESCAPE.
- THE SMOKE DETECTOR MUST BE INSTALLED AT LEAST 15 FEET (4,57 M) FROM THE APPLIANCE IN ORDER TO PREVENT UNDUE TRIGGERING OF THE DETECTOR WHEN RELOADING.

### CAUTION:

- USE OF OUTSIDE AIR IS NOT REQUIRED FOR THIS UNIT.
- DO NOT UNPLUG THE STOVE IF YOU SUSPECT A MALFUNCTION. TURN THE ON/OFF SWITCH TO "OFF" AND CONTACT YOUR DEALER.
- THE HEATER WILL NOT OPERATE DURING A POWER OUTAGE. IF A POWER OUTAGE DOES OCCUR, CHECK THE HEATER FOR SMOKE SPILLAGE AND OPEN A WINDOW IF ANY SMOKE SPILLS INTO THE ROOM.
- NEVER BLOCK FREE AIRFLOW THROUGH THE OPEN VENTS OF THE UNIT.

NATIONAL  
FIREPLACE  
INSTITUTE



CERTIFIED  
www.nficertified.org

We recommend that our woodburning hearth products be installed and serviced by professionals who are certified in the U.S. by the National Fireplace Institute® (NFI) as NFI Woodburning Specialists or who are certified in Canada by Wood Energy Technical Training (WETT).



US Stove highly recommends your stove be installed by a qualified NFI (US) or WETT (Canada) technician. To find the nearest qualified installer, go to:

<https://nficertified.org>,

<https://www.wettinc.ca/>

### INSTALLATION OPTIONS

**Freestanding Unit** - supported by pedestal/legs and placed on a non-combustible floor surface in compliance with clearance requirements for a freestanding stove installation.

# INSTALLATION



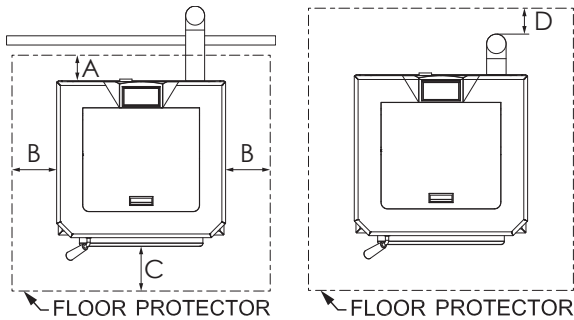
**Alcove Unit** - supported by pedestal/legs and placed on a non-combustible floor surface in compliance with clearance requirements for an alcove installation.

## IMPROPER INSTALLATION

The use of other components other than stated herein could cause bodily harm, heater damage, and void your warranty. The manufacturer will not be held responsible for damage caused by the malfunction of a stove due to improper venting or installation.

## FLOOR PROTECTION

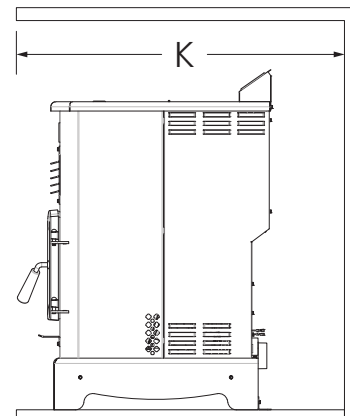
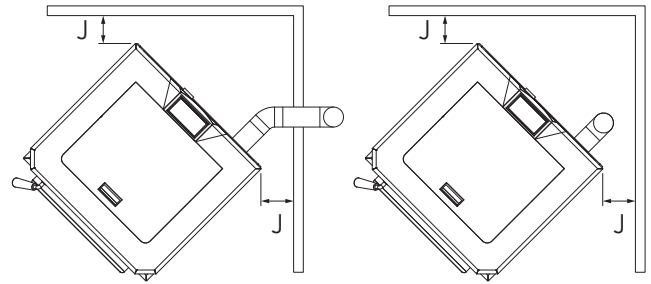
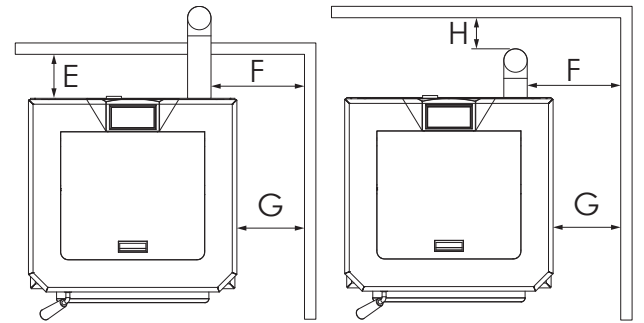
This unit must be installed on a non-combustible floor surface. If a floor pad is used, it should be certified or equal. The floor pad or non-combustible surface should be large enough to extend a minimum of 6" (153 mm) in front, 6" (153 mm) on each side, and 1" (26 mm) behind the stove. Floor protection must extend under and 2" (51 mm) to each side of the chimney tee for an interior vertical installation. A Floor Protector of 1" (26 mm) thick is recommended for this installation.



A	Rear (through wall)	1"	25 mm
B	Side	6"	152 mm
C	Front	6"	152 mm
D	Rear (interior vertical)	2"	50 mm

## CLEARANCES

Your pellet stove has been tested and listed for installation in residential, mobile home/transportable building, and alcove applications in accordance with the clearances given in this manual. NOTE: The distance on the side of your pellet stove may need to be greater than the minimum required clearance for suitable access to the control panel. For safety reasons, please adhere to the installation clearances and restrictions. Any reduction in clearance to combustibles may only be done by means approved by a regulatory authority.



PARALLEL	E	Backwall to unit	9.5"	241 mm
	F	Sidewall to flue	13"	330 mm
	G	Sidewall to top edge of unit	8"	203 mm
	H	Backwall to flue	3"	76.2 mm
CORNER	J	Adjacent wall to unit	8"	203 mm
ALCOVE	K	Alcove depth	36"	914 mm

## OUTSIDE AIR SUPPLY (OPTIONAL, UNLESS INSTALLING IN A MOBILE HOME/TRANSPORTABLE BUILDING)

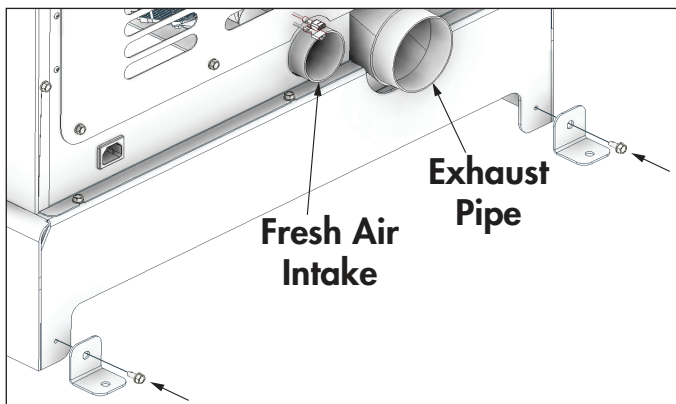
Depending on your location and home construction, outside air may be necessary for optimal performance. Your stove is approved to be installed with an outside air intake (69FAK) which is necessary for a mobile home/transportable building. You can purchase the 69FAK through your heater dealer. Installation instructions are supplied with the air intake kit.

**ATTENTION:**

**DO NOT VENT UNDER ANY PORCH, DECK, AWNING, OR IN ANY SEMI ENCLOSED OR ROOFED AREA. DOING SO MAY RESULT IN UNPREDICTABLE AIRFLOW AT THE VENT CAP UNDER CERTAIN CONDITIONS AND CAN AFFECT THE PERFORMANCE OF YOUR STOVE, AS WELL AS, OTHER UNFORESEEABLE ISSUES.**

## SECURING APPLIANCE TO THE FLOOR

Use the designated holes to secure the unit to the floor.



**WARNING! DO NOT INSTALL IN SLEEPING ROOM.**

**CAUTION! THE STRUCTURAL INTEGRITY OF THE MOBILE HOME/TRANSPORTABLE BUILDING FLOOR, WALL, AND CEILING/ROOF MUST BE MAINTAINED.**

**WHEN INSTALLED IN A MOBILE HOME/TRANSPORTABLE BUILDING, THE STOVE MUST BE GROUNDED DIRECTLY TO THE STEEL CHASSIS AND BOLTED TO THE FLOOR.**

In addition to the previously detailed installation requirements, mobile home/transportable building installations must meet the following requirements:

- This stove must be securely fastened to the floor of the mobile home/transportable building using two 1/4" lag bolts that are long enough to go through both a hearth pad, if used, and the floor of the home.
- The heater must be electrically grounded to the steel chassis of the mobile home/transportable building with 8 GA copper wire using a serrated or star washer to penetrate paint or protective coating to ensure grounding.
- Vent must be 3 or 4-inch "PL" Vent and must extend a minimum of 36" (914 mm) above the roof line of

the mobile home/transportable building and must be installed using a certified ceiling fire stop and rain cap.

- When moving your mobile home/transportable building, all exterior venting must be removed while the mobile home/transportable building is being relocated. After relocation, all venting must be reinstalled and securely fastened.
- Outside Air is mandatory for mobile home/transportable building installation. See Outside Air Supply section and your dealer for purchasing.
- Check with your local building officials as other codes may apply.

## VENTING REQUIREMENTS

**WARNING:**

- **INSTALL VENT AT CLEARANCES SPECIFIED BY THE VENT MANUFACTURER.**
- **DO NOT CONNECT THE PELLET VENT TO A VENT SERVING ANY OTHER APPLIANCE OR STOVE.**
- **DO NOT INSTALL A FLUE DAMPER IN THE EXHAUST VENTING SYSTEM OF THIS UNIT.**

The following installation guidelines must be followed to ensure conformity with both the safety listing of this stove and to local building codes. Do not use makeshift methods or compromise in the installation.

**IMPORTANT:**

**THIS UNIT IS EQUIPPED WITH A NEGATIVE DRAFT SYSTEM THAT PULLS AIR THROUGH THE BURN POT AND PUSHES THE EXHAUST OUT OF THE DWELLING. IF THIS UNIT IS CONNECTED TO A FLUE SYSTEM OTHER THAN THE WAY EXPLAINED IN THIS MANUAL, IT WILL NOT FUNCTION PROPERLY.**

## MAXIMUM VENTING DISTANCE

Installation MUST include at least 3-feet of vertical pipe outside the home. This will create some natural draft to reduce the possibility of smoke or odor during appliance shutdown and keep exhaust from causing a nuisance or hazard by exposing people or shrubs to high temperatures. The maximum recommended vertical venting height is 12-feet for 3-inch type "PL" vent. Total length of horizontal vent must not exceed 4-feet. This could cause back pressure. Use no more than 180 degrees of elbows (two 90-degree elbows, or two 45-degree and one 90-degree elbow, etc.) to maintain adequate draft.



## IMPORTANCE OF PROPER DRAFT

Draft is the force which moves air from the appliance up through the chimney. The amount of draft in your chimney depends on the length of the chimney, local geography, nearby obstructions and other factors. Too much draft may cause excessive temperatures in the appliance. Inadequate draft may cause backpuffing into the room and ‘plugging’ of the chimney. Inadequate draft will cause the appliance to leak smoke into the room through appliance and chimney connector joints. An uncontrollable burn or excessive temperature indicates excessive draft. Take into account the chimney’s location to ensure it is not too close to neighbours or in a valley which may cause unhealthy or nuisance conditions.

## PELLET VENT TYPE

A certified 3-inch or 4-inch type “PL” pellet vent exhaust system must be used for installation and attached to the pipe connector provided on the back of the stove (use a 3-inch to 4-inch adapter for 4-inch pipe). The connection at the back of the stove must be sealed using Hi-Temp RTV. Use a 4-inch vent if the vent height is over 12-feet or if the installation is over 2,500 feet above sea level. We recommend the use of Simpson Dura-Vent® or Metal-Fab® pipe (if you use other pipes, consult your local building codes and/or building inspectors). Do not use Type-B Gas Vent pipe or galvanized pipe with this unit. The pellet vent pipe is designed to disassemble for cleaning and should be checked several times during the burning season. The pellet vent pipe is not furnished with the unit and must be purchased separately.

## PELLET VENT INSTALLATION

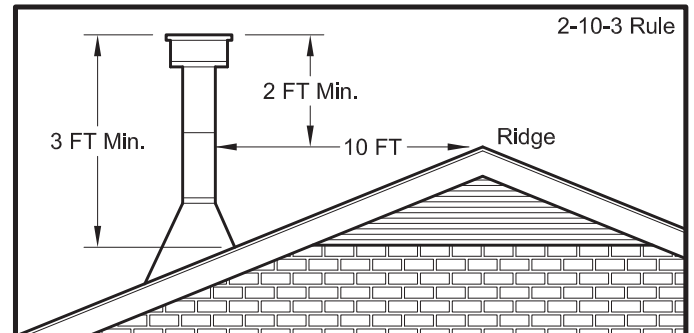
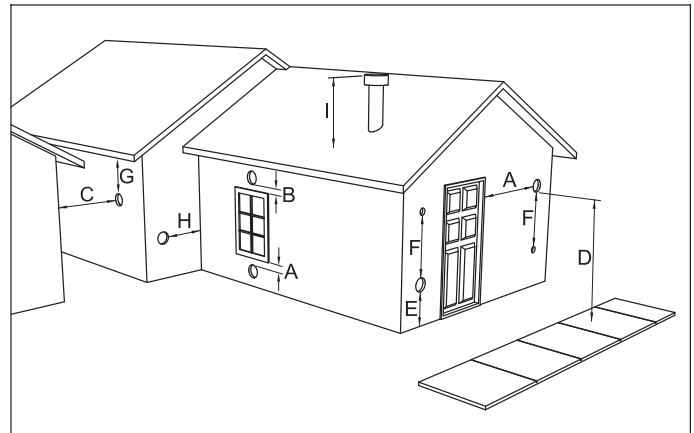
The installation must include a clean-out tee to enable collection of fly ash and to permit periodic cleaning of the exhaust system. 90-degree elbows accumulate fly ash and soot thereby reducing exhaust flow and performance of the stove. Each elbow or tee reduces draft potential by 30% to 50%. All joints in the vent system must be fastened by at least 3 screws, and all joints must be sealed with Hi-Temp RTV silicone sealant to be airtight. The area where the vent pipe penetrates to the exterior of the home must be sealed with silicone or other means to maintain the vapor barrier between the exterior and the interior of the home. Vent surfaces can get hot enough to cause burns if touched by children. Noncombustible shielding or guards may be required.

## PELLET VENT TERMINATION

Do not terminate the vent in an enclosed or semi-enclosed area, such as; carport, garage, attic, crawl space, under a sun deck or porch, narrow walkway, or any other location

that can build up a concentration of fumes. Termination in one of these areas can also lead to unpredictable pressure situations with the appliance, and could result in improper performance and/or malfunction. The termination must exhaust above the outside air inlet elevation. The termination must not be located where it will become plugged by snow or other materials. Do not terminate the venting into an existing steel or masonry chimney.

## VENT TERMINATION CLEARANCES



- A. Minimum 4-foot (1.22m) clearance below or beside any door or window that opens.
- B. Minimum 1-foot (0.3m) clearance above any door or window that opens.
- C. Minimum 3-foot (0.91m) clearance from any adjacent building.
- D. Minimum 7-foot (2.13m) clearance from any grade when adjacent to public walkways.
- E. Minimum 2-foot (0.61m) clearance above any grass, plants, or other combustible materials.
- F. Minimum 3-foot (0.91m) clearance from an forced air intake of any appliance.
- G. Minimum 2-foot (0.61m) clearance below eaves or overhang.



- H. Minimum 1-foot (0.3m) clearance horizontally from combustible wall.
- I. Must be a minimum of 3 foot (0.91m) above the roof and 2 foot (0.61m) above the highest point of the roof within 10 feet (3.05m).

Determining where to install your new pellet stove heater. To get the most efficient use of re-circulated heat, you should consider a room that is centrally located within your home. Choose a room that is large and open. It is Extremely Important to maintain proper clearances from any combustible surfaces or materials in the room where your heater will be located. You can find proper clearance measurements in this manual and on the rating label of your pellet stove. The pellet stove can be vented through an exterior wall or into an existing masonry or metal chimney if "PL" vent pipe is used throughout existing chimney. Venting can pass through the ceiling and roof if approved pipe is used. Where passage through a wall, or partition of combustible construction is desired, the installation must conform to CAN/CSA-B365.

<b>WARNING:</b>
<ul style="list-style-type: none"> <li>• <b>DO NOT OBTAIN COMBUSTION AIR FROM THE ATTIC, GARAGE OR ANY OTHER UNVENTILATED AREA. YOU MAY OBTAIN COMBUSTION AIR FROM A VENTILATED CRAWL SPACE.</b></li> <li>• <b>DO NOT INSTALL A FLUE DAMPER IN THE EXHAUST VENTING SYSTEM OF THIS UNIT.</b></li> <li>• <b>DO NOT CONNECT THIS UNIT TO A CHIMNEY FLUE SERVING ANOTHER HEATER, FURNACE OR APPLIANCE.</b></li> <li>• <b>INSTALL VENT AT CLEARANCES SPECIFIED BY THE VENT MANUFACTURER.</b></li> <li>• <b>ONLY USE APPROVED MATERIAL FOR INSTALLATION, FAILURE TO DO SO MAY RESULT IN PROPERTY DAMAGE, BODILY INJURY, OR EVEN DEATH.</b></li> </ul>

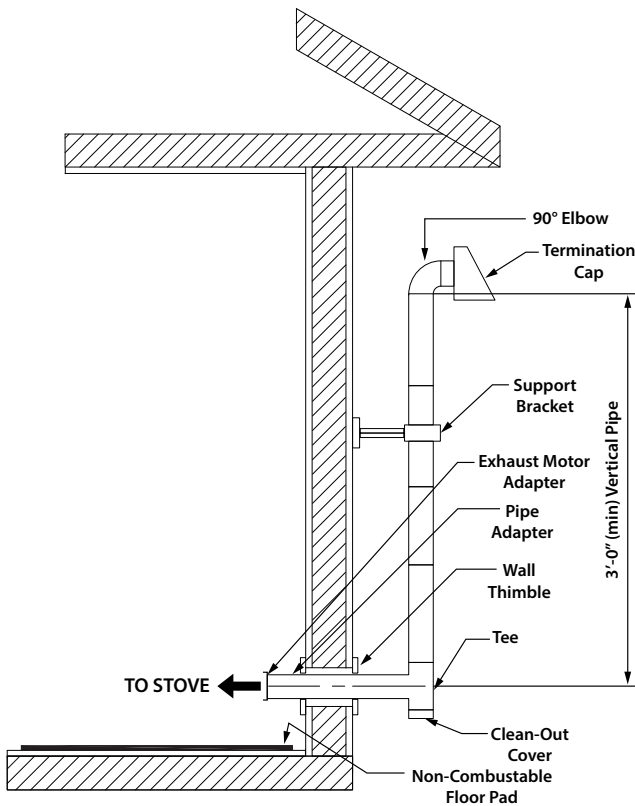
This appliance is certified for use with listed 3 inch or 4 inch "PL" pellet venting products. The use of other components other than stated herein could cause bodily harm, heater damage, and void your warranty.

## HORIZONTAL EXHAUST VENT INSTALLATION

1. Locate your pellet stove in a location which meets the requirements of this manual, but in an area where it does not interfere with the house framing, wiring, etc.

2. Install a non-combustible hearth pad underneath the pellet stove. This pad should extend at least 6" (152 mm) in front of the unit.
3. Place the pellet stove approximately 15" (381 mm) away from the interior wall.
4. Locate the center of the exhaust pipe of your unit. This point should then be extended to the interior wall of your house. Once you have located the center point, on the interior wall, cut a 7" (175 mm) diameter hole through the wall.
5. The next step is to install the wall thimble, refer to the instructions which come with the wall thimble for this step.
6. Install the appropriate length of exhaust vent pipe into the wall thimble. See steps 11 and 12 when determining the correct length of exhaust vent to use.
7. **Outside Fresh Air is Mandatory when installing this pellet stove room heater in airtight homes and mobile home/transportable buildings. Be sure that the outside air vent has an approved cap on it to prevent rodents from entering. Be sure to install in location that won't become blocked with snow, etc.**
8. Connect the exhaust vent pipe to the exhaust outlet of your pellet stove.
9. Secure all vent joint connections with 3 screws. Seal the exhaust vent joint connections with high temperature silicone sealant.
10. Push the unit straight back to the interior wall, being sure to maintain the minimum clearances to combustibles 2" (51 mm) to the back of the unit. Seal the annular space of the wall thimble and around the vent pipe with high temperature silicone sealant.
11. The exhaust vent pipe must extend at least 12" (300 mm) out past the exterior wall. Seal the annular space of the wall thimble and around the vent pipe with high temperature silicone sealant.
12. Install an approved horizontal termination cap or if necessary install a 90° elbow and appropriate length of vertical venting. An approved vertical vent cap is recommended.

## THROUGH THE WALL INSTALLATION (RECOMMENDED INSTALLATION)



Canadian installations must conform to CAN/CSA-B365. To vent the unit through the wall, connect the pipe adapter to the exhaust motor adapter. If the exhaust adapter is at least 18" (457 mm) above ground level, a straight section of pellet vent pipe can be used through the wall. Your heater dealer should be able to provide you with a kit that will handle most of this installation, which will include a wall thimble that will allow the proper clearance through a combustible wall. Once outside the structure, a 3" (76 mm) clearance should be maintained from the outside wall and a clean out tee should be placed on the pipe with a 90-degree turn away from the house. At this point, a 3ft (0.91m) (minimum) section of pipe should be added with a horizontal cap, which would complete the installation. A support bracket should be placed just below the termination cap or one every 4ft (1.22m) to make the system more stable. If you live in an area that has heavy snowfall, it is recommended that the installation be taller than 3ft (0.91m) to get above the snowdrift line. This same installation can be used if your heater is below ground level by simply adding the clean-

out section and vertical pipe inside until ground level is reached. With this installation you have to be aware of the snowdrift line, dead grass, and leaves. We recommend a 3ft (0.91m) minimum vertical rise on the inside or outside of the house. The "through the wall" installation is the least expensive and simplest installation. Never terminate the end vent under a deck, in an alcove, under a window, or between two windows. We recommend Simpson Dura-Vent® or Metal-Fab® kits.

## THROUGH THE ROOF/CEILING INSTALLATION

- When venting the heater through the ceiling, the pipe is connected the same as through the wall, except the clean-out tee is always on the inside of the house, and a 3" (76 mm) adapter is added before the clean-out tee.
- You must use the proper ceiling support flanges and roof flashing (supplied by the pipe manufacturer; follow the pipe manufacturer's directions). It is important to note that if your vertical run of pipe is more than 12ft (3.7m), the pellet vent pipe size should be increased to 4" (102 mm) in diameter.
- Do not exceed more than 4ft (1.22m) of pipe on a horizontal run and use as few elbows as possible. If an offset is required, it is better to install 45-degree elbows rather than 90-degree elbows.

## VENTING YOUR PELLET STOVE INTO AN EXISTING CLASS A 6" CHIMNEY SYSTEM

**IMPORTANT:**

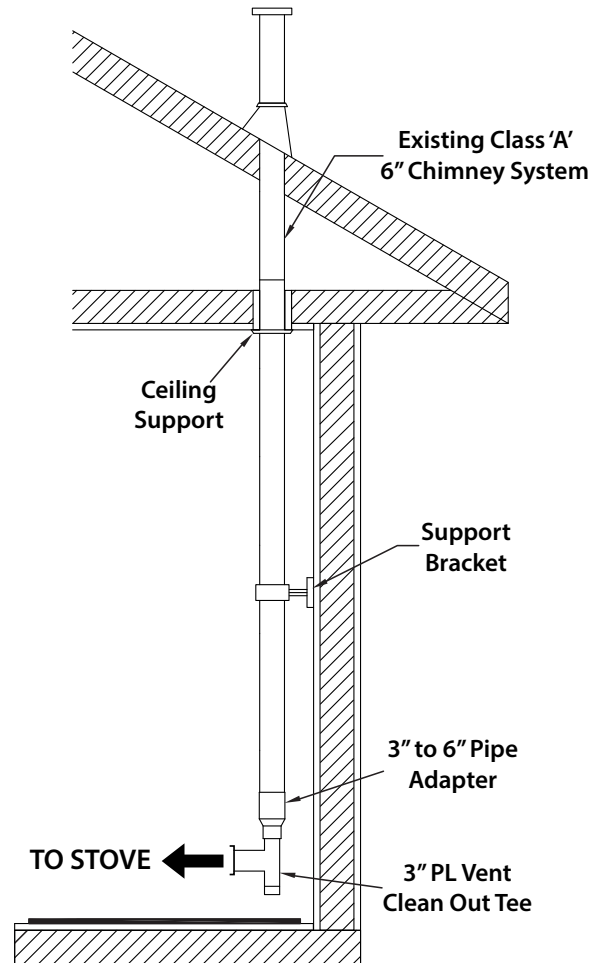
**IF YOU ARE INSTALLING YOUR PELLET STOVE AS A REPLACEMENT TO AN EXISTING WOOD STOVE, YOU CAN INSTALL YOUR PELLET STOVE USING THE EXISTING CLASS A 6" VENTING SYSTEM.**

1. You must have the existing chimney system cleaned and/ or inspected by a qualified chimney sweep before proceeding with the installation of your pellet stove.
2. To the right is an example of an installation using part number 860001, 3-6" transition into 6" connector pipe. the illustration is only an example. Please conform to any local building codes or regulations having jurisdiction before you have a qualified installer proceed with this installation.

**WARNING:**

**YOU MAY WANT TO LOCATE ANY UTILITIES OR OBSTACLES INSIDE THE WALL BEFORE ATTEMPTING THIS INSTALL. MAKE SURE TO KEEP IN MIND YOUR UNIT'S CLEARANCE REQUIREMENTS.**

1. Mark the area and then cut the wall for vent installation if needed.
2. Install the wall thimble as specified by the manufacturer (wall thimble sold separately)
3. Install venting.



## NEVER OPERATE THIS PRODUCT WHILE UNATTENDED

### PANEL / REMOTE CONTROLS



NOTE:  
Operation range of this remote is within 16-1/2 ft. of the appliance.

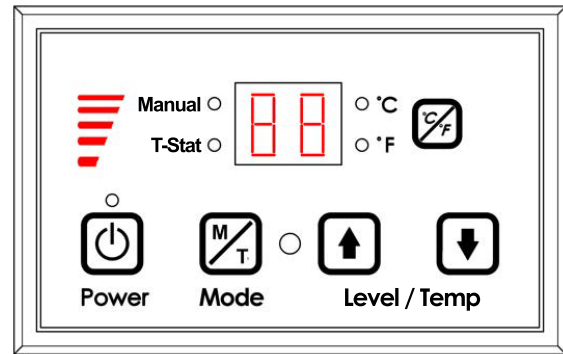
The operation of this appliance can be controlled from the panel located on the side of the stove and/or by the remote control. The control functions are as follows:

#### A. On/Off Switch

- When pushed, the stove will automatically ignite. No other fire starter is necessary. The igniter will stay on for at least 10 and up to 12 minutes, depending on when Proof of Fire is reached. The fire should start in approximately 5 minutes.
- After pushing the “On/Off” button, the auger motor is on for 3.5 minutes, off for 1 minute. During the remainder of the start-up period, the auger motor operates on the heat range “1” setting.
- During start up the heat level advance (Up and Down keys) will change the heat range indicator level accordingly, but there is no change in the stoves operating conditions until start-up is completed.
- During start-up ignition must occur within 12 minutes or the stove will error out and show E3.
- During the start-up phase, the Mode key does not function.

#### B. Heat Range Arrow Buttons

- These buttons when pushed will set the pellet feed rate, hence the heat output or heat range of your stove. When using the hand-held remote this function can be performed with the “Up/Down” buttons.
- The levels of heat output will incrementally change on the bar graph starting from heat range “1” to heat range “5”.



#### C. °C / °F Button

- The °C / °F button changes the two digit display from degrees Celsius to degrees Fahrenheit.

#### D. MODE (M/T) BUTTON

- The Mode of the stove can be switched between manual and controlled with a Thermostat. Separate LEDs to the left of the two digit display indicate the mode of operation – Manual or T-Stat. The stove has to be in normal operation to be switched from Manual to T-Stat mode.
- Manual mode operates according to the 5 set levels of feed on the bar graph from heat range “1” to heat range “5”.

#### T-Stat mode works as follows:

- The stove has a built in Thermostat into the controls of the appliance. The temperature sensor for the T-Stat is located on the back of the stove behind the display board.
- Once the stove has gone into run mode the stove can be switch into T-Stat mode.
- The Up and Down Level / Temp Arrow buttons are used to change the desired set-point temperature. Once the desired temperature is reached the two digit display will flash for four seconds and reset to the actual room temperature.
- Once the stove reaches within 3°F of the desired temperature set point, it returns to the heat range that the stove was set on before it was switched to T-Stat mode (if the stove was running on heat range “5” when switched to T-stat mode when it gets within 3°F of the set point it will return to heat range “5”).
- Once the stove reaches the desired set-point, the stove will drop to heat range “1”.
- When room temperature drops below desired set-point the stove will ramp back up until it reaches the desired temperature.



# OPERATION INSTRUCTIONS

## WARNING:

- **DO NOT USE CHEMICALS OR FLUIDS TO START THE FIRE - NEVER USE GASOLINE, GASOLINE-TYPE LANTERN FUEL, KEROSENE, CHARCOAL LIGHTER FLUID, OR SIMILAR LIQUIDS TO START OR “FRESHEN UP” A FIRE IN THIS STOVE. KEEP ALL SUCH LIQUIDS WELL AWAY FROM THE STOVE WHILE IT IS IN USE.**
- **HOT WHILE IN OPERATION. KEEP CHILDREN, CLOTHING AND FURNITURE AWAY. CONTACT MAY CAUSE SKIN BURNS.**

This heater is designed to burn only PFI Premium grade pellets. DO NOT BURN:

1. Garbage;
2. Lawn clippings or yard waste;
3. Materials containing rubber, including tires;
4. Materials containing plastic;
5. Waste petroleum products, paints or paint thinners, or asphalt products;
6. Materials containing asbestos;
7. Construction or demolition debris;
8. Railroad ties or pressure-treated wood;
9. Manure or animal remains;
10. Salt water driftwood or other previously salt water saturated materials;
11. Unseasoned wood; or
12. Paper products, cardboard, plywood, or particleboard.  
The prohibition against burning these materials does not prohibit the use of fire starters made from paper, cardboard, saw dust, wax and similar substances for the purpose of starting a fire in an affected wood heater.

Burning these materials may result in release of toxic fumes or render the heater ineffective and cause smoke.

## PROPER FUEL

### ATTENTION:

**THIS APPLIANCE IS DESIGNED FOR THE USE OF PELLETIZED FUEL THAT MEET OR EXCEED THE STANDARD SET BY THE PELLET FUEL INSTITUTE (PFI).**

Your pellet stove is designed to burn premium hardwood pellets that comply with the Pellet Fuels Institute (PFI) standard (minimum of 40 lbs density per cubic ft, 1/4” to

5/16” diameter, length no greater than 1.5”, not less than 8,200 BTU/lb, moisture under 8% by weight, ash under 1% by weight, and salt under 300 parts per million). Pellets that are soft, contain excessive amounts of loose sawdust, have been, or are wet, will result in reduced performance. Store your pellets in a dry place. DO NOT store the fuel within the installation clearances of the unit or within the space required for refuelling and ash removal. Doing so could result in a house fire. Do not over fire or use volatile fuels or combustibles, doing so may cause a personal and property damage hazards.

THIS STOVE IS APPROVED FOR BURNING PELLETIZED WOOD FUEL ONLY ! Factory-approved pellets are those 1/4” or 5/16” in diameter and not over 1” long. Longer or thicker pellets sometimes bridge the auger flights, which prevents proper pellet feed. Burning wood in forms other than pellets is not permitted. It will violate the building codes for which the stove has been approved and will void all warranties. The design incorporates automatic feed of the pellet fuel into the fire at a carefully prescribed rate. Any additional fuel introduced by hand will not increase heat output but may seriously impair the stoves performance by generating considerable smoke. Do not burn wet pellets. The stove’s performance depends heavily on the quality of your pellet fuel. Avoid pellet brands that display these characteristics:

- Excess Fines – “Fines” is a term describing crushed pellets or loose material that looks like sawdust or sand. Pellets can be screened before being placed in hopper to remove most fines.
- Binders – Some pellets are produced with materials to hold the together, or “bind” them.
- High ash content – Poor quality pellets will often create smoke and dirty glass. They will create a need for more frequent maintenance. You will have to empty the burn pot plus vacuum the entire system more often. Poor quality pellets could damage the auger. We cannot accept responsibility for damage due to poor quality pellet.

## CAUTION:

- **KEEP FOREIGN OBJECTS OUT OF THE HOPPER.**
- **THE MOVING PARTS OF THIS STOVE ARE PROPELLED BY HIGH TORQUE ELECTRIC MOTORS. KEEP ALL BODY PARTS AWAY FROM THE AUGER WHILE THE STOVE IS PLUGGED INTO AN ELECTRICAL OUTLET. THESE MOVING PARTS MAY BEGIN TO MOVE AT ANY TIME WHILE THE STOVE IS PLUGGED IN.**

## PRE-START-UP CHECK

Remove burn pot, making sure it is clean and none of the air holes are plugged. Clean the firebox, and then reinstall burn pot. Clean door glass if necessary (a dry cloth or paper towel is usually sufficient). Never use abrasive cleaners on the glass or door. Check fuel in the hopper, and refill if necessary.

## BUILDING A FIRE

Never use a grate or other means of supporting the fuel. Use only the burn pot supplied with this heater. Hopper lid must be closed in order for the unit to feed pellets. During the start-up period:

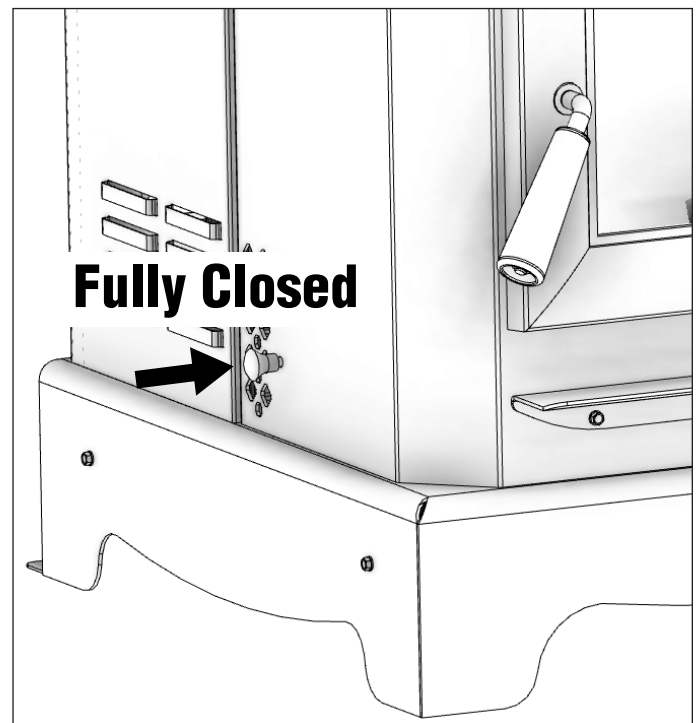
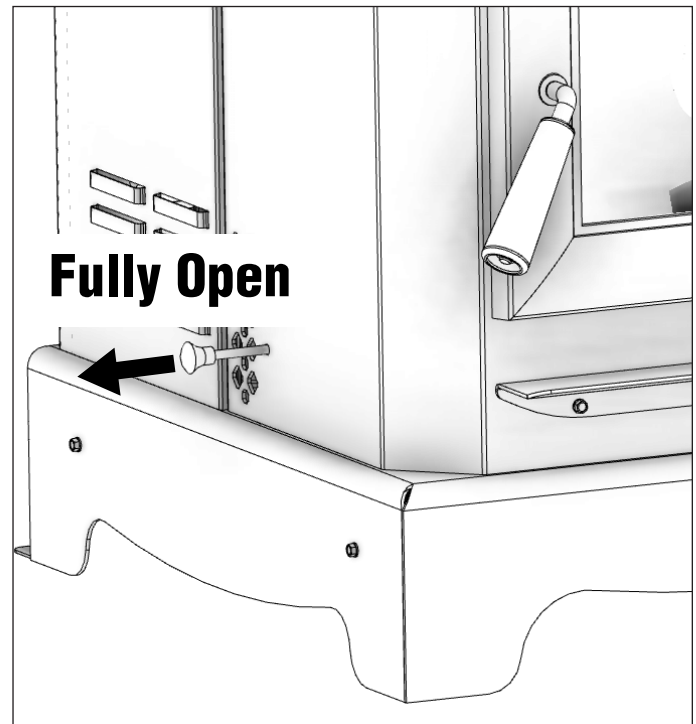
- Make sure the burn pot is free of pellets.
- DO NOT open the viewing door.
- DO NOT add pellets to the burn pot by hand.

NOTE: During the first few fires, your stove will emit an odor as the high-temperature paint cures or becomes seasoned to the metal. Maintaining smaller fires will minimize this. Avoid placing items on the stovetop during this period because the paint could be affected. Attempts to achieve heat output rates that exceed heater design specifications can result in permanent damage to the heater.

## OPTIMAL OPERATION

This pellet stove has been certified by the US EPA to meet strict 2020 guidelines. To ensure this unit produces the optimal minimal emissions, it is critical to follow the following guidelines. To achieve a “high burn” your stove should be set on setting 5 with the damper open. To achieve a “medium burn” your stove should be set on setting 3 with the damper 50% open. To achieve a “low burn” your stove should be set on setting 1 with the damper closed. If the door is opened while the stove is in operation it must be closed within 30 seconds or the stove will shut down. If the stove shuts down push the “On/Off” button to re-start your stove. The stove will have to fully shut down and turn off before you will be able to restart the stove.

## DAMPER SETTINGS





# OPERATION INSTRUCTIONS

## IGNITOR

1. Fill hopper and clean burn pot.
2. Press the “On/Off” button. Make sure the green light comes on.
3. Adjust the feed rate to the desired setting by pressing the “Heat Level Advance” button.

If the fire doesn’t start in 12 minutes, press “On/Off”, wait a few minutes, clear the burn pot, and start the procedure again.

## OPENING DOOR

**CAUTION:**

- **DO NOT OPERATE YOUR STOVE WITH THE VIEWING DOOR OPEN. THE AUGER WILL NOT FEED PELLETS UNDER THESE CIRCUMSTANCES AND A SAFETY CONCERN MAY ARISE FROM SPARKS OR FUMES ENTERING THE ROOM.**
- **THE DOOR MUST BE CLOSED AND SEALED DURING OPERATION.**

If the door is opened while the stove is in operation it must be closed within 30 seconds or the stove will shut down. If the stove shuts down push the “On/Off” button to re-start your stove. The stove will have to fully shut down and turn off before you will be able to restart the stove.

## ROOM AIR FAN

When starting your stove the Room Air Fan will not come on until the stove’s heat exchanger warms up. This usually takes about 10 minutes from start-up.

## IF STOVE RUNS OUT OF PELLETS

The fire goes out and the auger motor and blowers will run until the stove cools. This will take 30 minutes or longer depending on the heat remaining in the appliance. After the stove components stop running all lights on the display will go out and the two digit display will begin flashing “E3”

## REFUELLING

**WARNING:**

- **KEEP HOPPER LID CLOSED AT ALL TIMES EXCEPT WHEN REFILLING.**
- **DO NOT OVERFILL HOPPER.**

**CAUTION:**

- **THE HOPPER AND STOVE TOP WILL BE HOT DURING OPERATION; THEREFORE, YOU SHOULD ALWAYS USE SOME TYPE OF HAND PROTECTION WHEN REFUELING YOUR STOVE.**
- **DO NOT TOUCH THE HOT SURFACES OF THE STOVE. EDUCATE ALL CHILDREN ON THE DANGERS OF A HIGH-TEMPERATURE STOVE. YOUNG CHILDREN SHOULD BE SUPERVISED WHEN THEY ARE IN THE SAME ROOM AS THE STOVE.**
- **NEVER PLACE YOUR HAND NEAR THE AUGER WHILE THE STOVE IS IN OPERATION.**
- **WE RECOMMEND THAT YOU NOT LET THE HOPPER DROP BELOW 1/4 FULL.**

## TAMPER WARNING

This wood heater has a manufacturer-set minimum low burn rate that must not be altered. It is against federal regulations to alter this setting or otherwise operate this wood heater in a manner inconsistent with operating instructions in this manual.

## SHUTDOWN PROCEDURE

**WARNING:**

**NEVER SHUT DOWN THIS UNIT BY UNPLUGGING IT FROM THE POWER SOURCE.**

Turning your stove off is a matter of pressing the “POWER” button on the display board. The green light will turn back to red when the “POWER” button is pushed. The auger motor will stop, and the blowers will continue to operate until the internal firebox temperatures have fallen to a preset level.

1. Your stove is equipped with a high temperature thermodisc. This unit has a manual reset thermodisc. This safety switch has two functions.
  - A. To recognize an overheat situation in the stove and shut down the fuel feed or auger system.
  - B. In case of a malfunctioning convection blower, the high-temperature thermodisc will automatically shut down the auger, preventing the stove from overheating.

NOTE: On some units, once tripped, like a circuit breaker, the reset button will have to be pushed before restarting your stove. On other units the thermodisc has no reset button and will reset itself once the stove has cooled. The manufacturer recommends that you call your dealer if



this occurs as this may indicate a more serious problem. A service call may be required.

2. If the combustion blower fails, an air pressure switch will automatically shut down the auger.

NOTE: Opening the stove door for more than 30 seconds during operation will cause enough pressure change to activate the air switch, shutting the fuel feed off. The stove will shut down and show "E2" on the two digit display. The stove has to fully shut down before restarting.

## INTERIOR CHAMBERS

- **Burn Pot** - Periodically remove and clean the burn pot and the area inside the burn pot housing. In particular, it is advisable to clean out the holes in the burn pot to remove any build up that may prevent air from moving through the burn pot freely.
- **Heat Exchanger** - There are two clean out plates that need to be removed in order to clean the fly ash out of the heat exchanger. Open the door to access the cleanouts located inside the firebox, one on each side of the burnpot. The clean outs are secured to the firebox with (2) 5/16" screws each. Remove the clean outs and vacuum out any accumulated ash. This should be done at least once per month or more frequently if large amounts of ash are noticed while cleaning or if the stove does not seem to be burning properly.

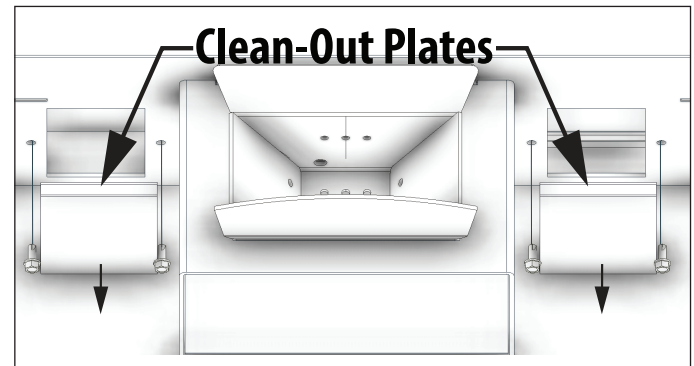
Over time ash or dust may accumulate on the blades of the circulation & exhaust fans. The fans should be inspected, periodically, and if any accumulation is present vacuumed clean as the ash or dust can impede

the fans performance. It is also possible that creosote may accumulate in the exhaust fan therefore, this must be brushed clean. The exhaust fan can be found behind the left side panel (facing the front of the heater), the circulation fan can be found behind the right side panel. To access the igniter, remove the air inlet tube and cover (2 screws). The auger motor is located in the center rear of the unit. Note: When cleaning, take care not to damage the fan blades.

If a vacuum is used to clean your stove, we suggest using the AV15E AshVac vacuum. The AV15E AshVac is designed for ash removal. Some regular vacuum cleaner (i.e. shop vacs) may leak ash into the room.

### DO NOT VACUUM HOT ASH.

**WARNING:**  
**FAILURE TO PROPERLY MAINTENANCE THE CLEAN OUTS WILL RESULT IN POOR PERFORMANCE OF THIS STOVE.**





## NEVER OPERATE THIS PRODUCT WHILE UNATTENDED

### CAUTION:

- **FAILURE TO CLEAN AND MAINTAIN THIS UNIT AS INDICATED CAN RESULT IN POOR PERFORMANCE, SAFETY HAZARDS, FIRE, AND EVEN DEATH.**
- **NEVER PERFORM ANY INSPECTIONS, CLEANING, OR MAINTENANCE ON A HOT STOVE.**
- **DISCONNECT THE POWER CORD BEFORE PERFORMING ANY MAINTENANCE! NOTE: TURNING THE ON/OFF SWITCH TO "OFF" DOES NOT DISCONNECT ALL POWER TO THE ELECTRICAL COMPONENTS OF THE STOVE.**
- **DO NOT OPERATE STOVE WITH BROKEN GLASS, LEAKAGE OF FLUE GAS MAY RESULT.**
- **ATTEMPTS TO ACHIEVE HEAT OUTPUT RATES THAT EXCEED HEATER DESIGN SPECIFICATIONS CAN RESULT IN PERMANENT DAMAGE TO THE HEATER.**

### CREOSOTE FORMATION, INSPECTION, & REMOVAL

### CAUTION:

**THE EXHAUST SYSTEM SHOULD BE CHECKED MONTHLY DURING THE BURNING SEASON FOR ANY BUILD-UP OF SOOT OR CREOSOTE.**

When any wood is burned slowly, it produces tar and other organic vapors, which combine with expelled moisture to form creosote. The creosote vapors condense in the relatively cool chimney flue or a newly started fire or from a slow-burning fire. As a result, creosote residue accumulates on the flue lining. When ignited, this creosote makes an extremely hot fire, which may damage the chimney or even destroy the house. Despite their high efficiency, pellet stoves can accumulate creosote under certain conditions. The chimney connector and chimney should be inspected by a qualified person annually or per ton of pellets to determine if a creosote or fly ash build-up has occurred. If creosote has accumulated, it should be removed to reduce the risk of a chimney fire. Inspect the system at the stove connection and at the chimney top. Cooler surfaces tend to build creosote deposits quicker, so it is important to check the chimney from the top as well as from the bottom. The creosote should be removed with a brush specifically designed for the

type of chimney in use. A qualified chimney sweep can perform this service. It is also recommended that before each heating season the entire system be professionally inspected, cleaned and, if necessary, repaired. To clean the chimney, disconnect the vent from the stove.

### FLY ASH

This accumulates in the horizontal portion of an exhaust run. Though non-combustible, it may impede the normal exhaust flow. It should therefore be periodically removed.

### ASH REMOVAL & DISPOSAL

### CAUTION:

**ALLOW THE STOVE TO COOL BEFORE PERFORMING ANY MAINTENANCE OR CLEANING. ASHES MUST BE DISPOSED IN A METAL CONTAINER WITH A TIGHT FITTING LID. THE CLOSED CONTAINER OF ASHES SHOULD BE PLACED ON A NON-COMBUSTIBLE SURFACE OR ON THE GROUND, WELL AWAY FROM ALL COMBUSTIBLE MATERIALS, PENDING FINAL DISPOSAL.**

Remove the ashes periodically to avoid unnecessary ash build up. Remove ashes when unit has cooled. Ashes should be placed in a metal container with a tight fitting lid. The closed container of ashes should be placed on a noncombustible floor or on the ground, well away from all combustible materials, pending final disposal. If the ashes are disposed of by burial in soil or otherwise locally dispersed, they should be retained in the closed container until all embers have been thoroughly cooled. The container shall not be used for other trash or waste disposal. If combined with combustible substances, ashes and embers may ignite.

### SMOKE & CO MONITORS

Burning wood naturally produces smoke and carbon monoxide(CO) emissions. CO is a poisonous gas when exposed to elevated concentrations for extended periods of time. While the modern combustion systems in heaters drastically reduce the amount of CO emitted out the chimney, exposure to the gases in closed or confined areas can be dangerous. Make sure you stove gaskets and chimney joints are in good working order and sealing properly to ensure unintended exposure. It is recommended that you use both smoke and CO monitors in areas having the potential to generate CO.

## CHECK & CLEAN THE HOPPER

Check the hopper periodically to determine if there is any sawdust (fines) that is building up in the feed system or pellets that are sticking to the hopper surface. Clean as needed.

## DOOR & GLASS GASKETS

Inspect the main door and glass window gaskets periodically. The main door may need to be removed to have frayed, broken, or compacted gaskets replaced by your authorized dealer. This unit's door uses a 3/4" diameter rope gasket.

## BLOWER MOTORS

Clean the air holes on the motors of both the exhaust and distribution blowers annually. Remove the exhaust blower from the exhaust duct and clean out the internal fan blades as part of your fall start-up. If you have indoor pets your power motors should be inspected monthly to make sure they are free of animal hair build up. Animal hair build up in blowers can result in poor performance or unforeseen safety hazards.

## PAINTED SURFACES

Painted surfaces may be wiped down with a damp cloth. If scratches appear, or you wish to renew your paint, contact your authorized dealer to obtain a can of suitable high-temperature paint.

## GLASS

We recommend using a high-quality glass cleaner. Should a buildup of creosote or carbon accumulate, you may wish to use 000 steel wool and water to clean the glass. DO NOT use abrasive cleaners. DO NOT perform the cleaning while the glass is HOT. Do not attempt to operate the unit with broken glass. Replacement glass may be purchased from your U.S. Stove dealer. If the glass is broken, follow these removal procedures:

1. Once the heater has cooled, remove the door from the heater.
2. Remove the rope gasket from the door followed by the nuts holding the glass retainer in place.
3. While wearing gloves, carefully remove any loose pieces of glass from the door frame.
4. Replace the glass and gasket, making sure the gasket runs the full perimeter of the glass edge.
5. Re-install the retainer and eight nuts and rope gasket using high-temperature silicone to adhere the gasket to the door.

6. Never use substitute materials for the glass.

DO NOT abuse the door glass by striking, slamming, or similar trauma. Do not operate the stove with the glass removed, cracked, or broken.

## FALL START UP

Prior to starting the first fire of the heating season, check the outside area around the exhaust and air intake systems for obstructions. Clean and remove any fly ash from the exhaust venting system. Clean any screens on the exhaust system and on the outside air intake pipe. Turn all of the controls on and make sure that they are working properly. This is also a good time to give the entire stove a good cleaning throughout.

## SPRING SHUTDOWN

After the last burn in the spring, remove any remaining pellets from the hopper and the auger feed system. Scoop out the pellets and then run the auger until the hopper is empty and pellets stop flowing (this can be done by pressing the "ON" button with the viewing door open). Vacuum out the hopper. Thoroughly clean the burn pot, and firebox. It may be desirable to spray the inside of the cleaned hopper with an aerosol silicone spray if your stove is in a high humidity area. The exhaust system should be thoroughly cleaned.

## MAINTENANCE SCHEDULE

Use the following as a guide under average use conditions. Gaskets around door and door glass should be inspected and repaired or replaced when necessary.

	Daily	Weekly	Monthly or as needed
Burn Pot	Stirred	Empty	
Combustion Chamber		Brushed	
Ashes		Check	Empty
Interior Chambers			Vacuumed
Combustion Blower Blades			Vacuumed / Brushed
Convection Blower Impeller			Vacuumed / Brushed
Vent System			Cleaned
Gaskets			Inspected
Glass	Wiped	Cleaned	
Hopper (end of season)			Empty & Vacuumed



# HOW TO ORDER REPAIR PARTS

**For Parts Assistance Call: 800-750-2723 Ext 5051 or Email: parts@usstove.com**

The information in this owner’s manual is specific to your unit. When ordering replacement parts the information in this manual will help to ensure the correct items are ordered. Before contacting customer service write down the model number and the serial number of this unit. That information can be found on the certification label attached to the back of the unit. Other information that may be needed would be the part number and part description of the item(s) in question. Part numbers and descriptions can be found in the “Repair Parts” section of this manual. Once this information has been gathered you can contact customer service by phone 1-800-750-2723 Ext 5051 or Email parts@usstove.com.

Model Information	
Model Number	
Serial Number	

## INSTRUCTIONS SPECIFIC FOR CANADIAN INSTALLATIONS

Do not obstruct the space under the heater and do not obstruct the combustion air openings.

Refer to the chimney manufacturer’s instructions for disassembling the chimney/venting for transportation of a transportable building.

The parts or materials to be employed for ember protectors and the minimum areas to be covered and their relation to the space heater, as well as the notice: “In Canada, to comply with CSA B365, Installation Code for Solid-Fuel-Burning Appliances and Equipment, any combustible covering beneath the appliance and/or within the area extending horizontally at least 450 mm (18 in) beyond the appliance on any side equipped with a door, and at least 200 mm (8 in) beyond the appliance on other sides, shall be protected by a continuous, durable,

non-combustible pad that will provide ember protection. The 450 mm (18 in) ember protection required on any side with a door shall extend for the full width of the appliance plus the 200 mm (8 in) required on each side of the appliance without a door. Where an appliance is installed less than 200 mm (8 in) from a wall, the ember pad need only extend to the base of the wall. An ember pad shall not be placed on top of a carpet unless the pad is structurally supported to prevent displacement and distortion.

If this appliance is installed in a transportable building, removal of the chimney/venting is required for transportation of the building.

**DO NOT INSTALL IN AN ALCOVE**

**DO NOT INSTALL IN ANY FIREPLACE**

# TROUBLESHOOTING GUIDE



When your stove acts out of the ordinary, the first reaction is to call for help. This guide may save time and money by enabling you to solve simple problems yourself. Problems encountered are often the result of only five factors: 1) poor fuel; 2) poor operation or maintenance; 3) poor installation; 4) component failure; 5) factory defect. You can usually solve those problems related to 1 and 2. Customer service can solve problems relating to 3, 4 and 5. Refer to diagrams in the “Repair Parts” section to help locate indicated parts. For the sake of troubleshooting and using this guide to assist you, you should look at your heat level setting to see which light is flashing.

- Disconnect the power cord before performing any maintenance! NOTE: Turning the ON/OFF Switch to “OFF” does not disconnect all power to the electrical components of the stove.
- Never try to repair or replace any part of the stove unless instructions for doing so are given in this manual. All other work should be done by a trained technician.

Display is Flashing “E1”	
Possible Causes	Possible Remedies: (Unplug stove first when possible)
The convection blower is overheating and tripping the internal temperature shutoff.	Clean any dust off of the windings and fan blade. If oiling the blower does not help, the blower may be bad.
The stove is being left on the highest setting for extended periods of time.	If operating the heater on the highest heat setting, the room temperature could increase enough and lead to potential overheating situations. If this happens try operating at a lower heat setting.
Fuel other than wood pellets is being burned in the stove.	This pellet stove is designed and tested to use wood pellets. Check for signs of fuel other than wood pellets. No other types of fuel have been approved for this pellet stove. If there are signs of other types of fuel being used, stop using them immediately.
Power surge or brown out situation.	A power surge, spike, or voltage drop could cause the high limit switch to trip. Check to see if a surge protector is being used on the stove. If not, recommend one to the customer.
High Limit Switch is malfunctioning.	If the other items check out OK, replace the high limit switch.

**ATTENTION: THIS WOOD HEATER NEEDS PERIODIC INSPECTION AND REPAIR FOR PROPER OPERATION. IT IS AGAINST FEDERAL REGULATIONS TO OPERATE THIS WOOD HEATER IN A MANNER INCONSISTENT WITH OPERATING INSTRUCTIONS IN THIS MANUAL.**



# TROUBLESHOOTING GUIDE

Display is Flashing "E2"	
Possible Causes	Possible Remedies: (Unplug stove first when possible)
Airflow switch hose or stove attachment pipes for hose are blocked.	Unhook air hose from the air switch and blow through it. If air flows freely, the hose and tube are fine. If air will not flow through the hose, use a wire coat hanger to clear the blockage.
The air inlet, burnpot, interior combustion air chambers, combustion blower, or exhaust pipe are blocked with ash or foreign material.	Follow all cleaning procedures in the maintenance section of the owner's manual.
The firebox is not properly sealed.	Make sure the door is closed and that the gasket is in good shape.
Vent pipe is incorrectly installed.	Check to make sure vent pipe installation meets criteria in owner's manual.
The airflow switch wire connections are bad.	Check the connectors that attach the gray wires to the air switch.
Combustion blower failure.	With the stove on, check to see if the combustion blower is running. If it is not, you will need to check for power going to the combustion blower. It should be a full current. If there is power, the blower is bad. If there is not, make sure the control board is sending power to the air switch.
Control board not sending power to combustion blower.	If there is no current going to the combustion blower, check all wire connections. If all wires are properly connected, you have a bad control board.
Control board not sending power to air switch.	There should be a 5-volt current (approximately) going to the air switch after the stove has been on for 30 seconds.
Air switch has failed.	To test the air switch, you will need to disconnect the air hose from the body of the stove. With the other end still attached to the air switch, very gently suck on the loose end of the hose (you may want to remove the hose entirely off the stove and the air switch first and make sure it is clear). If you hear a click, the air switch is working. BE CAREFUL TOO MUCH VACUUM CAN DAMAGE THE AIR SWITCH.

# TROUBLESHOOTING GUIDE



Display is Flashing “E3”	
Possible Causes	Possible Remedies: (Unplug stove first when possible)
The hopper is out of pellets	Refill the hopper.
The air dampener is too far open for a low feed setting	If on the low setting, you may need to close the dampener all the way.
The burnpot holes are blocked.	Remove the burnpot and thoroughly clean it.
The air inlet, the interior chambers, or exhaust system has a partial blockage.	Follow all cleaning procedures in the maintenance section of the owner’s manual
The hopper safety switch has failed or hopper is open.	When operating the unit, be sure the hopper lid is closed so that the hopper safety switch will activate. Check the wires leading from the hopper safety switch to the control panel and auger motor for secure connections. Use a continuity tester to test the hopper safety switch; replace if necessary.
The auger shaft is jammed.	“Start by emptying the hopper. Then remove the auger motor by removing the auger pin, then remove the two bolts that hold the auger bracket to the auger tube. The auger bracket will now be able to be removed from the auger tube. Remove the two bolts on the side of the auger tube to remove the lower bearing of the auger. Pull the auger out of the tube to free the jam.
The auger motor has failed.	Remove the auger motor from the auger shaft and try to run the unit. If the motor will turn the shaft is jammed on something. If the motor will not turn, the motor is bad.
The Proof of Fire (POF) thermdisc has malfunctioned.	Temporarily bypass the POF thermdisc by disconnecting the two wires and connecting them with a short piece of wire. Then plug the stove back up. If the stove comes on and works, you need to replace the POF thermdisc. This is for testing only. DO NOT LEAVE THE THERMODISC BYPASSED. Your blowers will never shut off and if the fire went out the auger will continue to feed pellets until the hopper is empty if you leave the POF thermdisc bypassed.
The control board is not sending power to the POF thermdisc or other auger system components.	There should be a 5-volt (approximately) current going to the POF thermdisc after the stove has been on for 10 minutes.



# TROUBLESHOOTING GUIDE

Display is Flashing “E4”	
Possible Causes	Possible Remedies: (Unplug stove first when possible)
The air inlet, burnpot, interior combustion air chambers, combustion blower, or exhaust pipe are blocked with ash or foreign material.	Follow all cleaning procedures in the maintenance section of the owner’s manual.
The Proof of Fire (POF) thermodisc has come unplugged	Check the (POF) thermodisc to see if the wires are connected properly.
The Proof of Fire (POF) thermodisc has malfunctioned.	Temporarily bypass the POF thermodisc by disconnecting the two wires and connecting them with a short piece of wire. Then plug the stove back up. If the stove comes on and works, you need to replace the POF thermodisc. This is for testing only. <b>DO NOT LEAVE THE THERMODISC BYPASSED.</b> Your blowers will never shut off and if the fire went out the auger will continue to feed pellets until the hopper is empty if you leave the POF thermodisc bypassed.
The hopper is out of Pellets.	Refill the hopper.
The hopper safety switch has failed or hopper is open.	When operating the unit, be sure the hopper lid is closed so that the hopper safety switch will activate. Check the wires leading from the hopper safety switch to the control panel and auger motor for secure connections. Use a continuity tester to test the hopper safety switch; replace if necessary.
The auger shaft is jammed.	Start by emptying the hopper. Then remove the auger motor by removing the auger pin. Remove the auger shaft inspection plate in the hopper so that you can see the auger shaft. Gently lift the auger shaft straight up so that the end of the auger shaft comes up out of the bottom auger bushing. Next, remove the two nuts that hold the top auger biscuit in. Then rotate the bottom end of the auger shaft up towards you until you can lift the shaft out of the stove. After you have removed the shaft, inspect it for bent flights, burrs, or broken welds. Remove any foreign material that might have caused the jam. Also, check the auger tube for signs of damage such as burrs, rough spots, or grooves cut into the metal that could have caused a jam.
The auger motor has failed.	Remove the auger motor from the auger shaft and try to run the unit. If the motor will turn the shaft is jammed on something. If the motor will not turn, the motor is bad.

Display is Flashing “E5”	
Possible Causes	Possible Remedies: (Unplug stove first when possible)
The stove automatically flashes “E5” when turned on	The T-stat sensor has come unplugged from the control board. Check to see if the sensor is unplugged. If the sensor is not unplugged then the sensor is damaged or has a short. If the sensor is damaged or has a short it will need to be replaced.



# TROUBLESHOOTING GUIDE



Stove Feeds Pellets, But Will Not Ignite	
Possible Causes	Possible Remedies: (Unplug stove first when possible)
Air damper open too far for ignition.	In some situations it may be necessary to have the damper completely closed for ignition to take place. After there is a flame, the damper can then be adjusted for the desired feed setting.
Blockage in igniter tube or inlet for igniter tube.	Find the igniter housing on the backside of the firewall. The air intake hole is a small hole located on bottom side of the housing. Make sure it is clear. Also, look from the front of the stove to make sure there is not any debris around the igniter element inside of the igniter housing.
The burnpot is not pushed completely to the rear of the firebox.	Make sure that the air intake collar on the burnpot is touching the rear wall of the firebox.
Bad igniter element.	Put power directly to the igniter element. Watch the tip of the igniter from the front of the stove. After about 2 minutes the tip should glow. If it does not, the element is bad.
The control board is not sending power to the igniter.	Check the voltage going to the igniter during startup. It should be a full current. If the voltage is lower than full current, check the wiring. If the wiring checks out good, the board is bad.

Smoke Smell Coming Back Into The Home	
Possible Causes	Possible Remedies: (Unplug stove first when possible)
There is a leak in the vent pipe system.	Inspect all vent pipe connections. Make sure they are sealed with RTV silicone that has a temperature rating on 500 degree F or higher. Also, seal joints with UL-181-AP foil tape. Also, make sure the square to round adapter piece on the combustion blower has been properly sealed with the same RTV.
The gasket on the combustion blower has gone bad.	Inspect both gaskets on the combustion blower to make sure they are in good shape.
Because it is a wood-burning device, your pellet heater may emit a faint wood-burning odor. If this increases beyond normal, or if you notice an unusual soot build-up on walls or furniture, check your exhaust system carefully for leaks. All joints should be properly sealed. Also clean your stove, following instructions in "MAINTENANCE". If problem persists, contact customer service.	

Convection Blower Shuts Off And Comes Back On	
Possible Causes	Possible Remedies: (Unplug stove first when possible)
The convection blower is overheating and tripping the internal temperature shutoff.	Clean any dust off of the windings and fan blades. If cleaning the blower does not help, the blower may be bad.
Circuit board malfunction.	Test the current going to the convection blower. If there is power being sent to the blower when it is shut off, then the control board is fine. If there is NOT power being sent to the blower when it shuts off during operation, then you have a bad control board.



# TROUBLESHOOTING GUIDE

Stove Will Not Feed Pellets, But Fuel Feed Light Comes On As Designed	
Possible Causes	Possible Remedies: (Unplug stove first when possible)
High limit switch has tripped or is defective.	Wait for the stove to cool for about 30 - 45 minutes. Locate the High Limit thermodisc and press the reset button on the back of it. If the heater will not restart, check the thermodisc to see if it's bad. To test if the thermodisc is bad, you can bypass it as described previously for the POF thermodisc.
Bad Auger Motor.	Remove the auger motor from the auger shaft and try to run the unit. If the motor will turn the shaft is jammed on something. If the motor will not turn, the motor is bad.
Auger Jam	Start by emptying the hopper. Then remove the auger motor by removing the auger pin. Remove the auger shaft inspection plate in the hopper so that you can see the auger shaft. Gently lift the auger shaft straight up so that the end of the auger shaft comes up out of the bottom auger bushing. Next, remove the two nuts that hold the top auger biscuit in. Then rotate the bottom end of the auger shaft up towards you until you can lift the shaft out of the stove. After you have removed the shaft, inspect it for bent flights, burrs, or broken welds. Remove any foreign material that might have caused the jam. Also, check the auger tube for signs of damage such as burrs, rough spots, or grooves cut into the metal that could have caused a jam.
Loose wire or connector.	Check all wires and connectors that connector to the auger motor, high limit switch, and the Molex connector.
Bad control board.	If the fuse is good, the wires and connectors check out good, and the high limit switch did not trip, test for power going to the auger motor. If there is not a full current going to the auger motor when the fuel feed light is on, you have a bad control board.

# TROUBLESHOOTING GUIDE

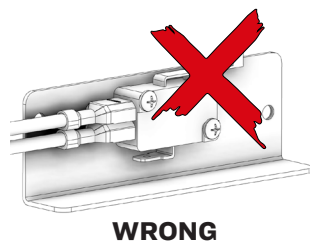
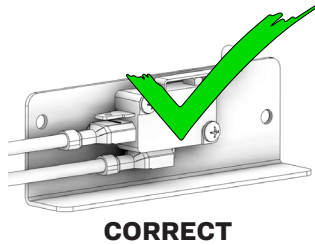
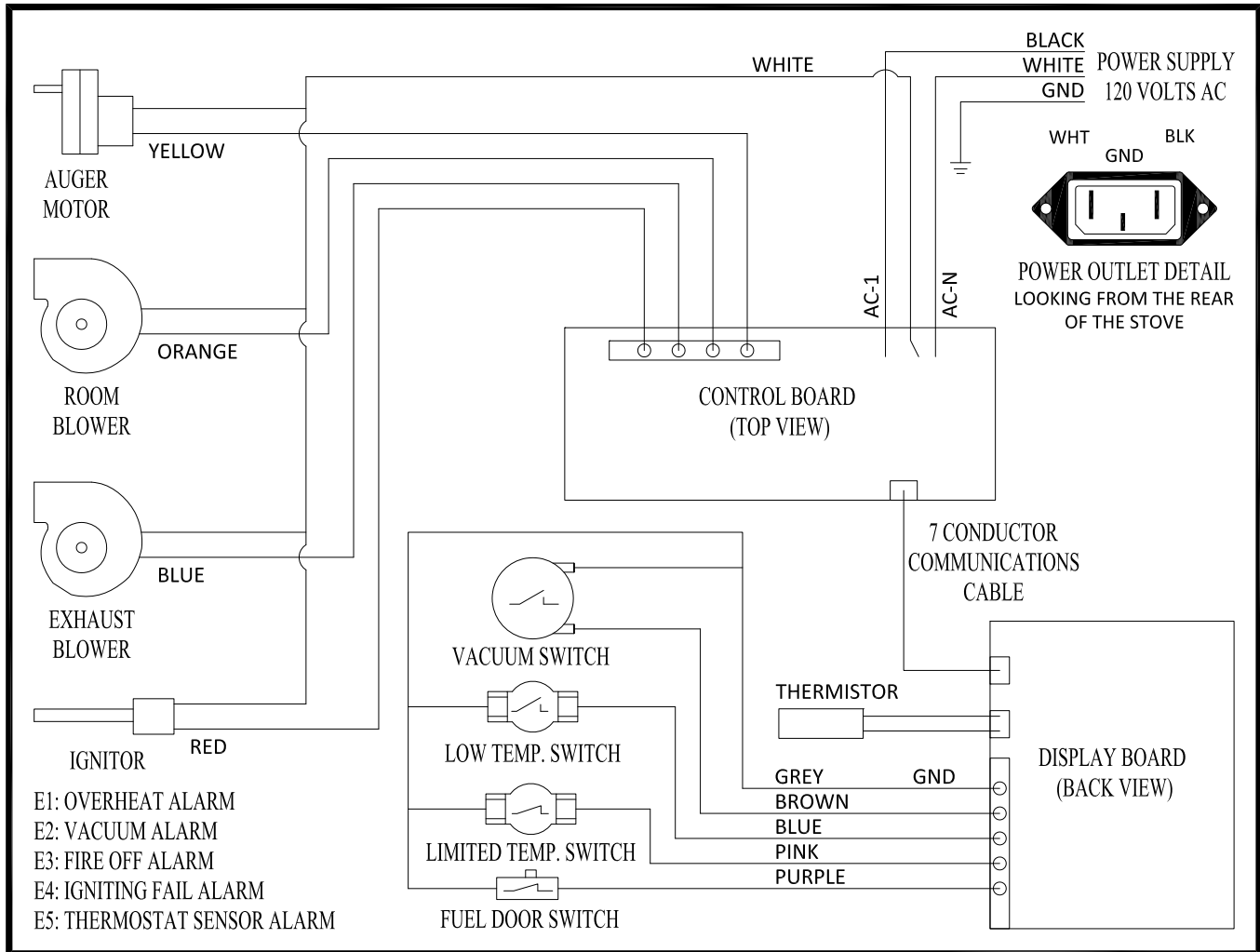


High Limit Switch Keeps Tripping	
Possible Causes	Possible Remedies: (Unplug stove first when possible)
The convection blower is overheating and tripping the internal temperature shutoff.	Clean any dust off of the windings and fan blades. If oiling the blower does not help, the blower may be bad.
The stove is being left on the highest setting for extended periods of time.	If operating the heater on the highest heat setting, the room temperature could increase enough and lead to potential overheating situations. If this happens, try operating at a lower heat setting.
Fuel other than wood pellets is being burned in the stove.	This pellet stove is designed and tested to use wood pellets. Check for signs of fuel other than wood pellets. No other types of fuel have been approved for this pellet stove. If there are signs of other types of fuel being used, stop using them immediately.
Power surge or brown out situation.	A power surge, spike, or voltage drop could cause the high limit switch to trip. Check to see if a surge protector is being used on the stove. If not, recommend one to the consumer.
High limit switch is malfunctioning.	If the other items check out okay, replace the high limit switch.

Glass “Soot’s” Up At A Very Fast Rate Flame Is Lazy, Dark, And Has Black Tips After Stove Has Been On For A While, The Burnpot Overfills	
Possible Causes	Possible Remedies: (Unplug stove first when possible)
Stove or vent pipe is dirty, which restricts airflow through the burnpot.	Follow all cleaning procedure in the maintenance section of the owner’s manual.
Vent pipe installed improperly.	Check to make sure the vent pipe has been installed according to the criteria in the owner’s manual.
Burnpot holes are blocked.	Remove the burnpot and thoroughly clean it.
Blockage in air intake pipe.	Visually inspect the air intake pipe that leads into the burnpot for foreign material.
Combustion blower is not spinning fast enough.	Test the RPM on the blower after the blades have been cleaned. The RPM should be approximately 3000 RPM.
Bad Pellets. (Applies to GLASS “SOOT’S” UP AT A VERY FAST RATE Only)	The brand of pellets or the batch of pellets that are being used may be of poor quality. If possible, try a different brand of pellets. You might also want to try a brand that is made from a different type of wood (softwood vs. hardwood). Different woods have different characteristics when being burned.

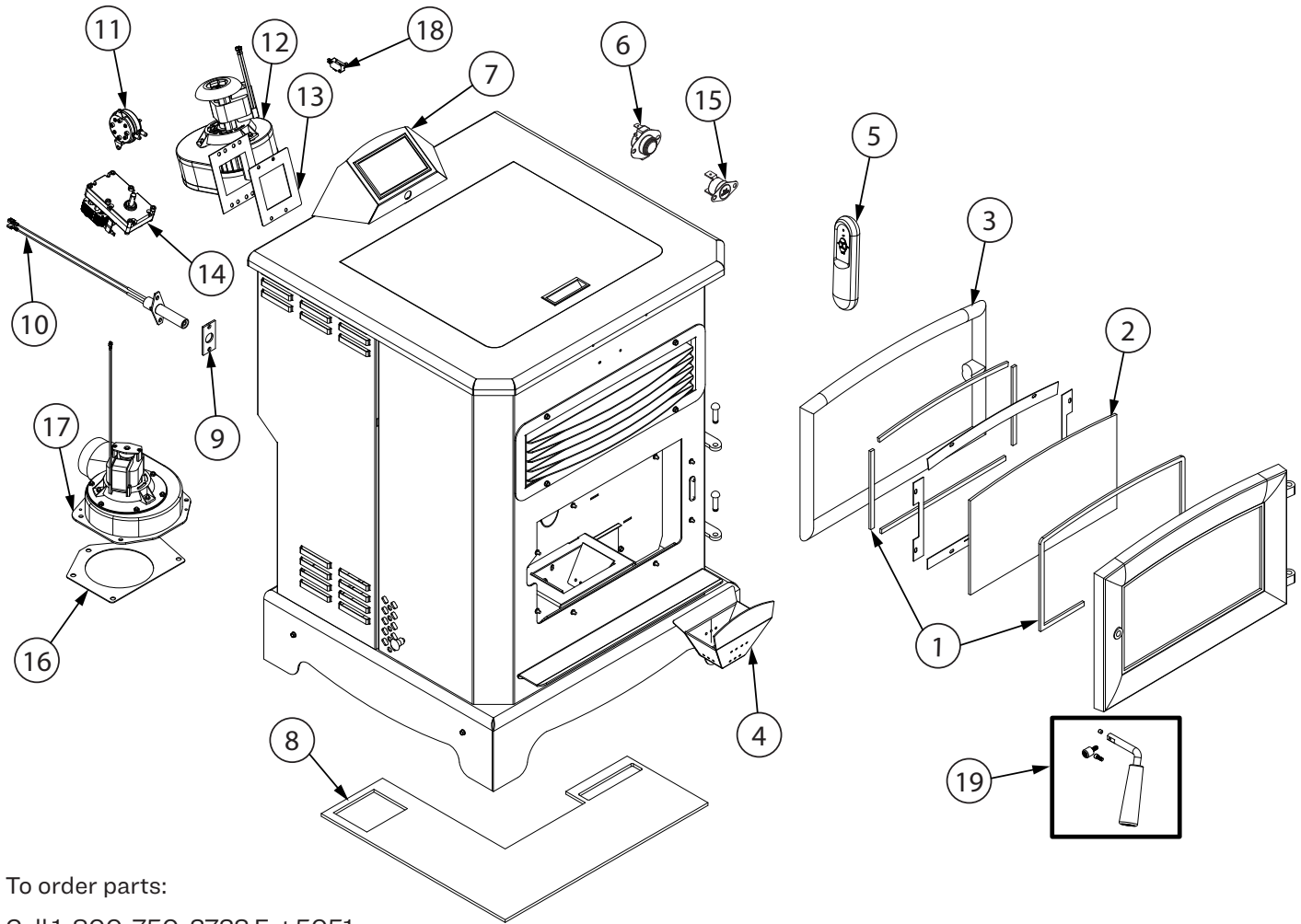


# WIRING DIAGRAM



**Ensure the wires are connected to the bottom two prongs of the hopper switch as shown.**

# REPAIR PARTS



To order parts:

Call 1-800-750-2723 Ext 5051 or

Email to: [parts@usstove.com](mailto:parts@usstove.com)

Key	Part #	Description	Qty
1	88174	Glass Gasket - Flat (3/16T x 3/8W)	1
2	893159	Clear Glass	1
3	88324	1" Rope Gasket	1
4	893629	Burnpot Assembly	1
5	80780	IR Remote	1
6	80455	High Temp Snapdisc	1
7	80886	Circuit Board Assy.	1
8	88351	Channel Gasket	1
9	88118	Ignitor Flange Gasket	1

10	80869	Ceramic Ignitor	1
11	80549	Pressure Switch	1
12	80867	Distribution Blower	1
13	88106	Distribution Blower Gasket	1
14	80866	Drive Motor (1.5 RPM CCW)	1
15	80610	POF Snapdisc	1
16	88100	Exhaust Blower Gasket	1
17	80868	Exhaust Blower	1
18	80491	Microswitch	1
19	893241-US	Door Handle Kit	1

**IN ORDER TO MAINTAIN WARRANTY, COMPONENTS MUST BE REPLACED USING USSC PARTS PURCHASED THROUGH YOUR DEALER OR DIRECTLY FROM USSC. USE OF THIRD PARTY COMPONENTS WILL VOID THE WARRANTY.**



# SERVICE RECORD

It is recommended that your heating system is serviced regularly and that the appropriate Service Interval Record is completed.

## SERVICE PROVIDER

Before completing the appropriate Service Record below, please ensure you have carried out the service as described in the manufacturer's instructions. Always use the manufacturer's specified spare part when replacement is necessary.

**Service 01** Date: \_\_\_\_\_

Engineer Name: \_\_\_\_\_

License No.: \_\_\_\_\_

Company: \_\_\_\_\_

Telephone No.: \_\_\_\_\_

Stove Inspected:  Chimney Swept:

Items Replaced: \_\_\_\_\_

**Service 02** Date: \_\_\_\_\_

Engineer Name: \_\_\_\_\_

License No.: \_\_\_\_\_

Company: \_\_\_\_\_

Telephone No.: \_\_\_\_\_

Stove Inspected:  Chimney Swept:

Items Replaced: \_\_\_\_\_

**Service 03** Date: \_\_\_\_\_

Engineer Name: \_\_\_\_\_

License No.: \_\_\_\_\_

Company: \_\_\_\_\_

Telephone No.: \_\_\_\_\_

Stove Inspected:  Chimney Swept:

Items Replaced: \_\_\_\_\_

**Service 04** Date: \_\_\_\_\_

Engineer Name: \_\_\_\_\_

License No.: \_\_\_\_\_

Company: \_\_\_\_\_

Telephone No.: \_\_\_\_\_

Stove Inspected:  Chimney Swept:

Items Replaced: \_\_\_\_\_

**Service 05** Date: \_\_\_\_\_

Engineer Name: \_\_\_\_\_

License No.: \_\_\_\_\_

Company: \_\_\_\_\_

Telephone No.: \_\_\_\_\_

Stove Inspected:  Chimney Swept:

Items Replaced: \_\_\_\_\_

**Service 06** Date: \_\_\_\_\_

Engineer Name: \_\_\_\_\_

License No.: \_\_\_\_\_

Company: \_\_\_\_\_

Telephone No.: \_\_\_\_\_

Stove Inspected:  Chimney Swept:

Items Replaced: \_\_\_\_\_

**Service 07** Date: \_\_\_\_\_

Engineer Name: \_\_\_\_\_

License No.: \_\_\_\_\_

Company: \_\_\_\_\_

Telephone No.: \_\_\_\_\_

Stove Inspected:  Chimney Swept:

Items Replaced: \_\_\_\_\_

**Service 08** Date: \_\_\_\_\_

Engineer Name: \_\_\_\_\_

License No.: \_\_\_\_\_

Company: \_\_\_\_\_

Telephone No.: \_\_\_\_\_

Stove Inspected:  Chimney Swept:

Items Replaced: \_\_\_\_\_



# ENREGISTREMENT DE SERVICE

Il est recommandé que votre système de chauffage est desservi régulièrement et que le Service Intervall enregistré approprié est terminée.

## FURNISSEUR DE SERVICES

Avant de terminer l'enregistrement de service approprié ci-dessous, s'il vous plaît vous assurer que vous avez effectué le service tel que décrit dans le les instructions du fabricant. Toujours utiliser pièce de rechange indiquée par le fabricant lors de remplacement est nécessaire.

**Service de 02**

Date: \_\_\_\_\_

Nom de l'ingénieur: \_\_\_\_\_

N° de licence: \_\_\_\_\_

Compagnie: \_\_\_\_\_

N° de téléphone: \_\_\_\_\_

Poêle Inspecté:  Cheminée balayée:

Articles Remplacé: \_\_\_\_\_

**Service de 01**

Date: \_\_\_\_\_

Nom de l'ingénieur: \_\_\_\_\_

N° de licence: \_\_\_\_\_

Compagnie: \_\_\_\_\_

N° de téléphone: \_\_\_\_\_

Poêle Inspecté:  Cheminée balayée:

Articles Remplacé: \_\_\_\_\_

**Service de 04**

Date: \_\_\_\_\_

Nom de l'ingénieur: \_\_\_\_\_

N° de licence: \_\_\_\_\_

Compagnie: \_\_\_\_\_

N° de téléphone: \_\_\_\_\_

Poêle Inspecté:  Cheminée balayée:

Articles Remplacé: \_\_\_\_\_

**Service de 03**

Date: \_\_\_\_\_

Nom de l'ingénieur: \_\_\_\_\_

N° de licence: \_\_\_\_\_

Compagnie: \_\_\_\_\_

N° de téléphone: \_\_\_\_\_

Poêle Inspecté:  Cheminée balayée:

Articles Remplacé: \_\_\_\_\_

**Service de 06**

Date: \_\_\_\_\_

Nom de l'ingénieur: \_\_\_\_\_

N° de licence: \_\_\_\_\_

Compagnie: \_\_\_\_\_

N° de téléphone: \_\_\_\_\_

Poêle Inspecté:  Cheminée balayée:

Articles Remplacé: \_\_\_\_\_

**Service de 05**

Date: \_\_\_\_\_

Nom de l'ingénieur: \_\_\_\_\_

N° de licence: \_\_\_\_\_

Compagnie: \_\_\_\_\_

N° de téléphone: \_\_\_\_\_

Poêle Inspecté:  Cheminée balayée:

Articles Remplacé: \_\_\_\_\_

**Service de 08**

Date: \_\_\_\_\_

Nom de l'ingénieur: \_\_\_\_\_

N° de licence: \_\_\_\_\_

Compagnie: \_\_\_\_\_

N° de téléphone: \_\_\_\_\_

Poêle Inspecté:  Cheminée balayée:

Articles Remplacé: \_\_\_\_\_

**Service de 07**

Date: \_\_\_\_\_

Nom de l'ingénieur: \_\_\_\_\_

N° de licence: \_\_\_\_\_

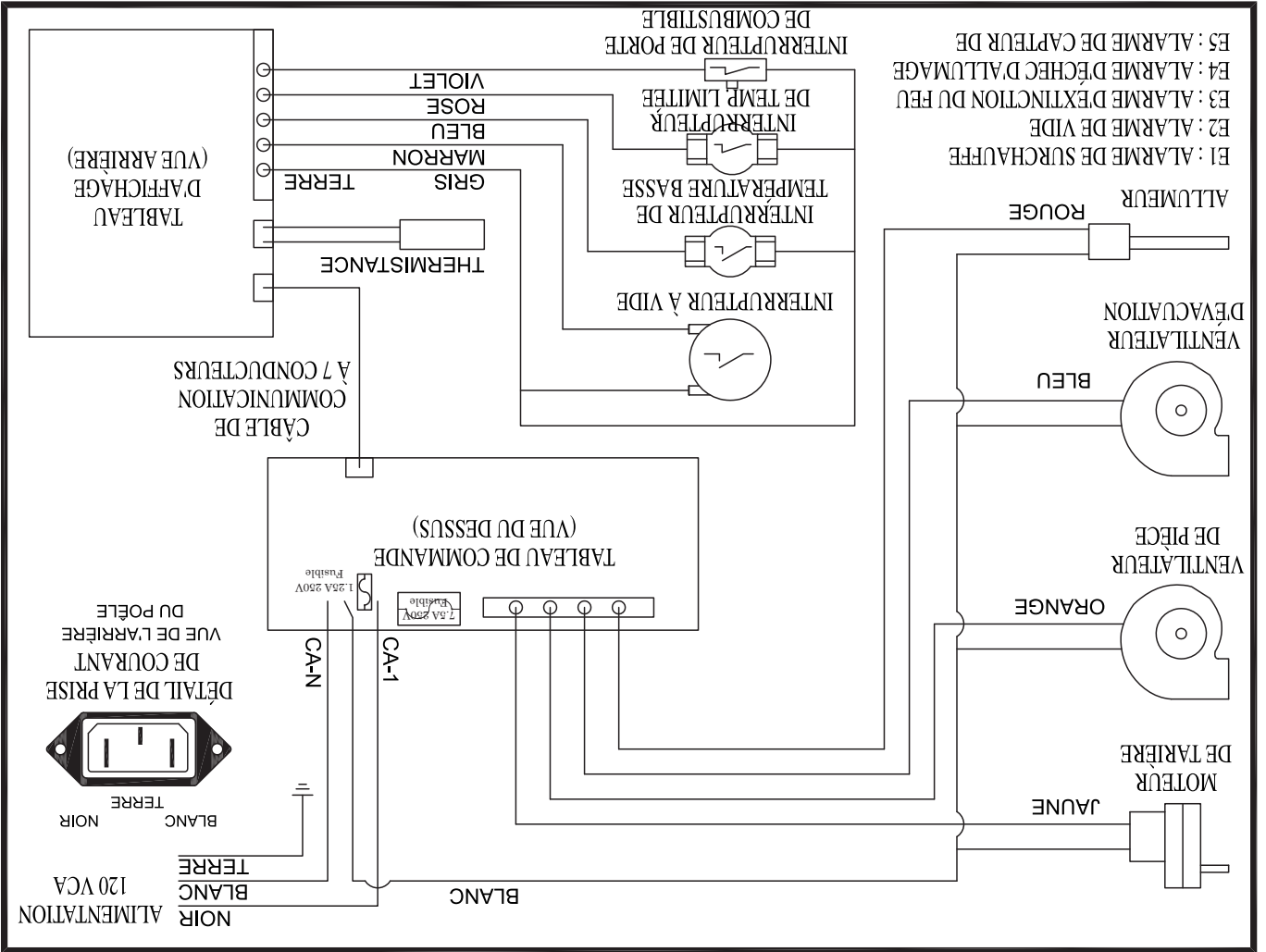
Compagnie: \_\_\_\_\_

N° de téléphone: \_\_\_\_\_

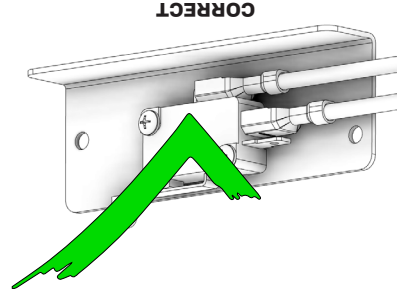
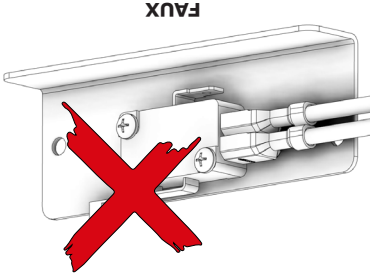
Poêle Inspecté:  Cheminée balayée:

Articles Remplacé: \_\_\_\_\_

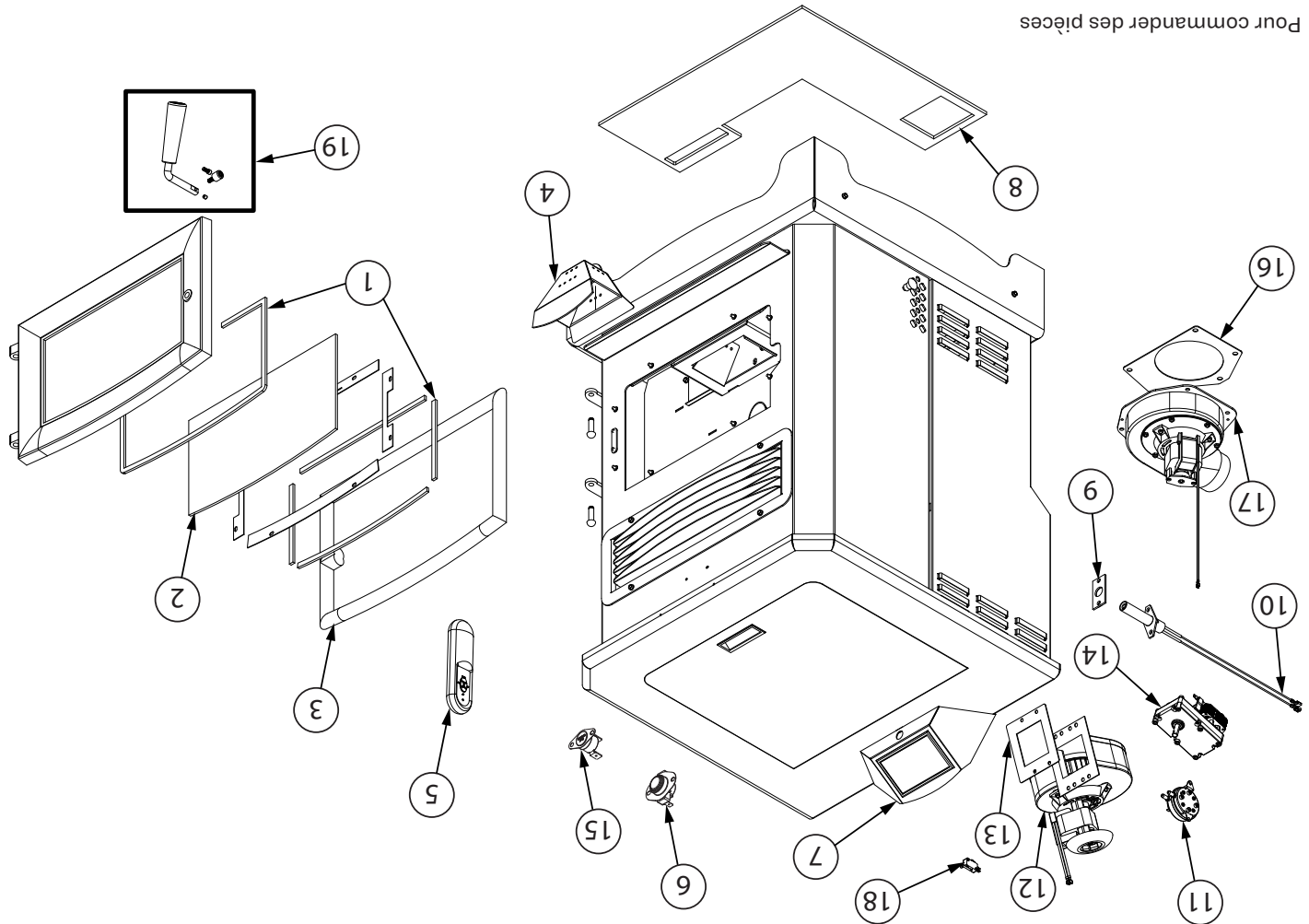
# SCHEMA DE CÂBLAGE



ASSUREZ-VOUS QUE LES FILS SONT CONNECTÉS AUX DEUX BROCHES INFÉRIEURES DE L'INTER interrupteur DE LA TRÉMIE, COMME ILLUSTRÉ.







Pour commander des pièces

Appelez 1-800-750-2723 Ext 5051 or

Envoyez un courriel à: [parts@usstove.com](mailto:parts@usstove.com)

Clé	Partie	Description	Qté
1	88174	Joint en verre - Plat (3/16T x 3/8W)	7,28 pi
2	893159	Verre transparent	1
3	88324	Joint de corde de 1 »	5,17 pi
4	893629	Assemblage Burnpot	1
5	80780	Ir à distance	1
6	80455	Snaptisc à température élevée	1
7	80886	Assy de carte de circuit imprimé	1
8	88351	Joint de canal	1
9	88118	Joint de bride d'igniteur	1
10	80869	Ignitor céramique	1

Clé	Partie	Description	Qté
11	80549	Pressostat	1
12	80867	Souffleur de distribution	1
13	88106	Joint de soufflante de distribution	1
14	80866	Moteur d'entraînement (1,5 RPM GCW)	1
15	80610	POF Snapdisc	1
16	88100	Joint de soufflante d'échappement	1
17	80868	Ventilateur d'échappement	1
18	80491	Microswitch	1
19	893241-US	Kit de poignée de porte	1

**AFIN DE MAINTENIR LA GARANTIE, LES COMPOSANTS DOIVENT ÊTRE REMPLACÉS À LAIDE DE PIÈCES USSC ACHETÉES PAR VOTRE REVENDEUR OU DIRECTEMENT AUPRÈS DE USSC. L'UTILISATION DE COMPOSANTS TIERS ANNULERA LA GARANTIE.**



L'interrupteur de surchauffe se déclenche tout le temps	
Causes possibles	Solutions possibles: (Débranchez le poêle avant toute chose quand c'est possible.)
Le ventilateur de convection surchauffe et déclenche l'arrêt de température interne.	Enlevez la poussière des bobinages et pales de ventilateur. Si le graissage du ventilateur ne suffit pas, il se peut que le ventilateur soit défectueux.
Le poêle est resté sur le réglage le plus élevé pendant de longues périodes.	En cas d'utilisation du poêle sur le réglage de chauffage le plus élevé, il se peut que la température de la pièce s'élève au point de créer une situation de surchauffe potentielle. Dans ce cas, essayez d'utiliser un réglage de chauffage inférieur.
Un autre combustible que les granulés de bois est brûlé dans le poêle.	Ce poêle à granulés a été conçu et testé pour brûler des granulés de bois. Recherchez la présence de combustibles autre que des granulés de bois. Aucun autre type de combustible n'a été approuvé pour ce poêle à granulés. En présence de signes d'utilisation d'autres types de combustible, cessez immédiatement de les utiliser.
Sur tension ou baisse de tension.	Une surtension, un pic ou une chute de tension peut provoquer le déclenchement du l'interrupteur de surchauffe. Vérifiez si une protection contre les surtensions est installée sur le poêle. Sinon, il est conseillé d'en installer une.
L'interrupteur de surchauffe fonctionne mal.	Si tous les autres éléments paraissent corrects, remplacez l'interrupteur de surchauffe.

LA VITRE NOIRCIT TRÈS RAPIDEMENT LA FLAMME EST MOLE, FONCÉE ET SES POINTES SONT NOIRES APRÈS UN CERTAIN TEMPS D'UTILISATION DU POÊLE, LE POT DE COMBUSTION DÉBORDE	
Causes possibles:	Solutions possibles: (Débranchez le poêle avant toute chose quand c'est possible.)
Le poêle ou le conduit d'évacuation est sale, ce qui limite la circulation d'air dans le pot de combustion.	Suivez toutes les procédures de nettoyage de la section d'entretien du Guide d'utilisation.
Le conduit d'évacuation est mal installé.	Assurez-vous que le conduit d'évacuation ait été installé conformément aux critères énoncés dans le Guide d'utilisation.
Le registre de tirage est trop fermé pour un réglage de chauffage élevé.	Tirez le bouton du registre de tirage plus loin vers le côté du poêle et essayez de rallumer l'appareil.
Les orifices du pot de combustion sont bouchés.	Retirez le pot de combustion et nettoyez-le à fond.
Amortisseur Air est cassé.	Inspecter visuellement l'amortisseur. Assurez-vous que la plaque d'amortissement est fixée à la tige d'amortisseur. Lorsque la tige de l'amortisseur est déplacé la plaque doit se déplacer avec elle.
Blocage du conduit d'admission d'air.	Inspecter visuellement le conduit d'admission d'air qui entre dans le pot de combustion en recherchant des corps étrangers.
Le ventilateur de combustion ne tourne pas assez vite.	Testez la vitesse de rotation du ventilateur après avoir nettoyé les pales. La vitesse de rotation doit être d'environ 3000 t/min.
Granulés de mauvaise qualité. (Ne s'applique qu'au problème « LA VITRE NOIRCIT TRÈS RAPIDEMENT ».)	La marque ou le lot de granulés utilisés est peut-être de mauvaise qualité. Si possible, essayez une autre marque de granulés. Essayez aussi une marque composée d'un autre type de bois (résineux plutôt que feuillus). Des bois différents présentent des caractéristiques différentes qui affectent la combustion.



<b>LE VENTILATEUR DE CONVECTION S'ARRÊTE PUIS REDÉMARRÉ</b>	
Causes possibles	Solutions possibles: (Débrancher le poêle avant toute chose quand c'est possible.)
Le ventilateur de convection surchauffe et déclenche l'arrêt de température interne.	Enlevez la poussière des bobinages et pales de ventilateur. Si le nettoyage du ventilateur ne suffit pas, il se peut que le ventilateur soit défectueux.
Dysfonctionnement de la carte de circuit imprimé.	Testez la tension arrivant au ventilateur de convection. Si le courant arrive au ventilateur quand il est arrêté, le tableau de commande fonctionne normalement. Si aucun courant n'arrive au ventilateur quand il est arrêté pendant le fonctionnement du poêle, le tableau de commande est défectueux.

**LE POÊLE N'EST PAS ALIMENTÉ EN GRANULÉS, MAIS LE TÉMOIN D'ALIMENTATION EN COMBUSTIBLE S'ALLUME COMME PRÉVU**

Causes possibles:	Solutions possibles: (Débrancher le poêle avant toute chose quand c'est possible.)
L'interrupteur de surchauffe s'est déclenché ou est défectueux.	Attendez que le poêle refroidisse pendant environ 30 à 45 minutes. Localisez le thermostatique de surchauffe et appuyez sur le bouton de réinitialisation situé à l'arrière de celui-ci. Si le poêle ne redémarre pas, vérifiez que le thermostatique ne soit pas défectueux. Pour tester si le thermostatique est défectueux, vous pouvez le contourner comme décrit précédemment pour le thermostatique POF.
Moteur de tarrière défectueux.	Retirez le moteur de l'arbre de la tarrière et essayez de le faire fonctionner. Si le moteur tourne, c'est l'arbre qui est coincé sur quelque chose. Si le moteur ne tourne pas, il est défectueux.
Tarrière bloquée.	Commencez par vider la trémie. Puis retirez le moteur de la tarrière en retirant la goupille de la tarrière. Retirez la plaque d'inspection de l'arbre de la tarrière dans la trémie pour pouvoir examiner l'arbre de la tarrière. Soulevez légèrement l'arbre de la tarrière de sorte que l'extrémité de l'arbre sorte du manchon inférieur de la tarrière. Retirez ensuite les deux écrous qui tiennent la pastille supérieure de la tarrière. Puis faites pivoter l'extrémité inférieure de l'arbre de la tarrière vers vous, jusqu'à ce que vous puissiez soulever l'arbre et le sortir du poêle. Après avoir sorti l'arbre, recherchez des pales déformées, des bavures ou des soudures cassées. Retirez tout corps étranger susceptible d'avoir provoqué le blocage. Vérifiez également le tube de la tarrière, en recherchant des signes de dommage, tels que des bavures, des zones rugueuses, ou des rainures creusées dans le métal qui pourraient être à l'origine du blocage.
Fil débranché ou connecteur desserré.	Vérifiez tous les fils et connecteurs branchés sur le moteur de la tarrière, l'interrupteur de surchauffe et le connecteur Molex.
Tableau de commande défectueux.	Si le fusible est bon, les fils et connecteurs bien raccordés, et que l'interrupteur de surchauffe ne s'est pas déclenché, testez la tension qui arrive au moteur de la tarrière. En l'absence de tension nominale arrivant au moteur de la tarrière lorsque le témoin d'alimentation en combustible est allumé, c'est le tableau de commande qui est défectueux.



L'écran affiche « E5 » clignotant	
Causes possibles	Solutions possibles: (Débranchez le poêle avant toute chose quand c'est possible.)
Le poêle affiche automatiquement « E5 » en clignotant lorsqu'il est allumé.	Le capteur du thermostat a été débranché du tableau de commande. Vérifiez si le capteur est débranché. Si le capteur n'est pas débranché, c'est le capteur qui est endommagé ou en court-circuit. Dans ce cas, le capteur doit être remplacé.

LE POÊLE EST BIEN ALIMENTÉ EN GRANULÉS, MAIS NE S'ALLUME PAS	
Causes possibles	Solutions possibles: (Débranchez le poêle avant toute chose quand c'est possible.)
Le registre de tirage est trop ouvert pour l'allumage.	Poussez le registre de tirage plus près du côté du poêle pour le démarrage. Dans certaines situations, il peut être nécessaire de fermer complètement le registre pour permettre l'allumage. Après l'apparition d'une flamme, le registre peut être réglé en fonction du réglage d'alimentation souhaité.
Le tube d'allumeur ou l'entrée d'air du tube d'allumeur est obstrué.	Localisez le bôtier de l'allumeur à l'arrière du pare-feu. L'orifice d'entrée d'air est un petit trou situé sur le côté, en bas du bôtier. Vérifiez qu'il soit dégagé. Regardez aussi depuis l'avant du poêle pour vérifier l'absence de tout débris autour de l'élément d'allumage à l'intérieur du bôtier de l'allumeur.
Le pot de combustion n'est pas poussé à fond vers l'arrière du foyer.	Vérifiez que le collet de prise d'air du pot de combustion touche la paroi arrière du foyer.
Élément allumeur défectueux.	Envoyez directement le courant à l'allumeur. Observez l'extrémité de l'allumeur, depuis l'avant du poêle. Au bout de 2 minutes, cette extrémité doit rougeoier. Sinon, c'est que l'élément est défectueux.
Le tableau de commande n'envoie pas de courant à l'allumeur.	Vérifiez la tension qui arrive à l'allumeur lors du démarrage. Ce doit être la tension nominale. Si la tension est inférieure à la valeur nominale, vérifiez le câblage. Si le câblage est bon, c'est le tableau qui est défectueux.

UNE ODEUR DE FUMÉE EST REFOULÉE DANS LA PIÈCE	
Causes possibles	Solutions possibles: (Débranchez le poêle avant toute chose quand c'est possible.)
Il y a une fuite dans le système de conduit d'évacuation.	Inspectez tous les raccords de tuyaux d'évacuation. Assurez-vous qu'ils soient tous scellés avec du silicone RTV supportant une température de 500 °F (260 °C) ou plus. En outre, scellez les joints avec du ruban métallique UL-181-AP. Vérifiez également que la pièce d'adaptation carré/cercle du ventilateur de combustion ait été correctement scellée avec le même silicone RTV.
Le joint d'étanchéité du ventilateur de combustion est défectueux.	Inspectez les deux joints du ventilateur de combustion qui doivent être en bon état.
S'agissant d'un appareil qui brûle du bois, ce poêle à granulés peut émettre une faible odeur de feu de bois. Si cette odeur devient anormale, ou si vous remarquez qu'un peu de suie s'accumule sur les murs ou les meubles, vérifiez soigneusement le système d'évacuation des fumées en recherchant des fuites. Tous les joints doivent être correctement scellés. Nettoyez également le poêle en suivant les instructions de la section « ENTRETIEN ». Si le problème persiste, prenez contact avec votre revendeur.	



L'écran affiche « E4 » clignotant	
Solutions possibles: (Débranchez le poêle avant toute chose quand c'est possible.)	Causes possibles
L'entrée d'air, le pot de combustion, les chambres de combustion internes, les ventilateurs de combustion ou le conduit d'évacuation sont bouchés par des cendres ou des corps étrangers.	Le thermodisque de détection de feu (POF) a été débranché.
Suivez toutes les procédures de nettoyage de la section d'entretien du Guide d'utilisation.	Le thermodisque de détection de feu (POF) a mal fonctionné.
Contournez temporairement le thermodisque POF en débranchant les deux fils et en les raccordant avec un petit morceau de fil. Puis rebranchez le poêle. Si le poêle s'allume et fonctionne, vous devez remplacer le thermodisque POF. Cette manœuvre est réservée aux tests. NE LAISSEZ PAS LE THERMODISQUE HORS CIRCUIT. Si le thermodisque POF restait hors circuit, les ventilateurs ne s'arrêteraient jamais et si le feu s'éteignait, la tarrière continuerait à envoyer les granulés jusqu'à ce que la trémie soit vide.	La trémie est vide de granulés.
Remplissez la trémie.	L'interrupteur de sécurité de la trémie est affecté d'une défaillance ou la trémie est ouverte.
Lors de l'utilisation de l'appareil, vérifiez que le couvercle de la trémie soit fermé pour permettre à l'interrupteur de sécurité de la trémie de s'activer. Vérifiez le branchement des fils qui partent de l'interrupteur de sécurité de la trémie jusqu'au tableau de commande et au moteur de la tarrière. Utilisez un testeur de continuité pour tester l'interrupteur de sécurité de la trémie; remplacez-le si nécessaire.	L'arbre de la tarrière est coincé.
Commencez par vider la trémie. Puis retirez le moteur de la tarrière en retirant la goupille de la tarrière. Retirez la plaque d'inspection de l'arbre de la tarrière dans la trémie pour pouvoir examiner l'arbre de la tarrière. Soulevez légèrement l'arbre de la tarrière de sorte que l'extrémité de l'arbre sorte du manchon inférieur de tarrière. Retirez ensuite les deux écrous qui tiennent la pastille supérieure de la tarrière. Puis faites pivoter l'extrémité inférieure de l'arbre de la tarrière vers vous, jusqu'à ce que vous puissiez soulever l'arbre et le sortir du poêle. Après avoir sorti l'arbre, recherchez des pales déformées, des bavures ou des soudures cassées. Retirez tout corps étranger susceptible d'avoir provoqué le blocage. Vérifiez également le tube de la tarrière, en recherchant des signes de dommage, tels que des bavures, des zones rugueuses, ou des rainures creusées dans le métal qui pourraient être à l'origine du blocage.	L'arbre de la tarrière est affecté d'une défaillance.
Retirez le moteur de l'arbre de la tarrière et essayez de le faire fonctionner. Si le moteur tourne, c'est l'arbre qui est coincé sur quelque chose. Si le moteur ne tourne pas, il est défectueux.	



L'écran affiche « E3 » clignotant	
Causes possibles	Solutions possibles: (Débranchez le poêle avant toute chose quand c'est possible.)
La trémie est vide de granulés.	Rempilissez la trémie.
Le registre de réglage d'air est trop ouvert pour un réglage de chauffage trop bas.	Si le réglage de chauffage est réduit, vous devrez peut-être fermer complètement le registre.
Les orifices du pot de combustion sont bouchés.	Retirez le pot de combustion et nettoyez-le à fond.
L'entrée d'air, les chambres intérieures, ou le système d'évacuation sont partiellement obstrués.	Suivez toutes les procédures de nettoyage de la section d'entretien du Guide d'utilisation
L'interrupteur de sécurité de la trémie est affecté d'une défaillance ou la trémie est ouverte.	Lors de l'utilisation de l'appareil, vérifiez que le couvercle de la trémie soit fermé pour permettre à l'interrupteur de sécurité de la trémie de s'activer. Vérifiez les connexions des fils qui partent de l'interrupteur de sécurité de la trémie jusqu'au tableau de commande et au moteur de la trémie. Utilisez un testeur de continuité pour tester l'interrupteur de sécurité de la trémie; remplacez-le si nécessaire.
L'arbre de la trémie est coincé.	Commencez par vider la trémie. Retirez ensuite le moteur de la trémie en retirant la goupille de la trémie, puis retirez les deux boulons qui fixent le support de trémie au tube de trémie. Vous pouvez maintenant retirer le support du tube de trémie. Retirez les deux boulons du côté du tube de trémie pour déposer le roulement inférieur de la trémie. Tirez sur la trémie pour la sortir du tube afin de lever le blocage.
Le moteur de la trémie est affecté d'une défaillance.	Retirez le moteur de l'arbre de la trémie et essayez de le faire fonctionner. Si le moteur tourne, c'est l'arbre qui est coincé sur quelque chose. Si le moteur ne tourne pas, il est défectueux.
Le thermostatique de feu (POF) a mal fonctionné.	Contournez temporairement le thermostatique POF en débranchant les deux fils et en les raccordant avec un petit morceau de fil. Puis rebranchez le poêle. Si le poêle s'allume et fonctionne, vous devez remplacer le thermostatique POF. Cette manœuvre est réservée aux tests. NE LAISSEZ PAS LE THERMOSTATIQUE HORS CIRCUIT. Si le thermostatique POF restait hors circuit, les ventilateurs ne s'arrêteraient jamais et si le feu s'éteignait, la trémie continuerait à envoyer les granulés jusqu'à ce que la trémie soit vide.
La tableau de commande n'envoie pas le courant au thermostatique POF ou aux autres composants du système de trémie.	Une tension approximative de 5 V doit arriver au Thermostatique POF après 10 minutes de fonctionnement du poêle.

L'écran affiche « E2 » clignotant	
Causes possibles	Solutions possibles: (Débranchez le poêle avant toute chose quand c'est possible.)
Le tuyau souple de l'interrupteur de débit d'air ou les tuyaux de fixation au poêle pour le tuyau souple sont bouchés.	Débranchez le tuyau souple d'air de l'interrupteur de débit d'air et soufflez dans le tuyau. Si l'air circule librement, le tuyau souple et le tube sont ouverts. Si l'air ne circule pas dans le tuyau souple, utilisez un cintre à vêtements métallique pour le déboucher.
L'entrée d'air, le pot de combustion, les chambres de combustion internes, les ventilateurs de combustion ou le conduit d'évacuation sont bouchés par des cendres ou des corps étrangers.	Suivez toutes les procédures de nettoyage de la section d'entretien du Guide d'utilisation.
Le foyer n'est pas correctement scellé.	Vérifiez que la porte est fermée et que le joint est en bon état.
Le conduit d'évacuation est mal installé.	Vérifiez que l'installation du conduit d'évacuation satisfait aux critères du Guide d'utilisation.
Les connexions du fil de l'interrupteur de débit d'air sont défectueuses.	Vérifiez les connecteurs qui relient les fils gris à l'interrupteur de débit d'air.
Panne du ventilateur de combustion.	Lorsque le poêle est en marche, vérifiez si le ventilateur de combustion est en fonctionnement. Sinon, vérifiez l'alimentation électrique du ventilateur de combustion. Ce doit être la tension nominale. Si l'alimentation électrique est bonne, c'est le ventilateur qui est défectueux. Si l'alimentation est absente, reportez-vous au point No. 8.
Le tableau de commande n'envoie pas le courant au ventilateur de combustion.	Si l'alimentation électrique n'arrive pas au ventilateur de combustion, vérifiez toutes les connexions des fils électriques. Si tous les fils sont bien connectés, c'est le tableau de commande qui est défectueux.
Le tableau de commande n'envoie pas le courant à l'interrupteur de débit d'air.	Après 30 secondes de fonctionnement du poêle, la tension d'alimentation de l'interrupteur de débit d'air doit atteindre environ 5 V.
Panne de l'interrupteur d'air.	Pour vérifier l'interrupteur de débit d'air, débranchez le tuyau souple d'air du corps du poêle. L'autre extrémité restant branchée sur l'interrupteur d'air, aspirez très doucement depuis l'extrémité libre du tuyau (vous pouvez débrancher entièrement le tuyau souple du poêle et de l'interrupteur d'air pour vérifier qu'il ne soit pas bouché). Si vous entendez un clic, c'est que l'interrupteur de débit d'air fonctionne. ATTENTION, UNE DÉPRESSION TROP IMPORTANTE PEUT ENDOMMAGER L'INTERRUPTEUR DE DÉBIT D'AIR.



Lorsque le poêle ne fonctionne pas comme d'ordinaire, la première réaction est de demander à l'aide. Ce guide peut vous faire gagner du temps et économiser de l'argent en vous permettant de résoudre les problèmes simples par vous-même. Les problèmes rencontrés sont souvent le résultat de cinq facteurs seulement: 1) mauvais combustible; 2) mauvaise utilisation ou mauvais entretien; 3) mauvaise installation; 4) défaillance d'un composant; 5) défaut de fabrication. Vous pouvez en général résoudre les problèmes liés aux causes 1 et 2. Votre concessionnaire peut quant à lui régler les problèmes liés aux causes 3, 4 et 5. Reportez-vous aux schémas de la page 25 pour aider à localiser des pièces indiquées.

Pour le dépannage et en vous aidant de ce guide, observez le réglage du niveau de chauffage pour voir quel témoin clignote.

- Débranchez le cordon d'alimentation avant toute opération d'entretien ! REMARQUE: Le fait de placer l'interrupteur ON/OFF en position « OFF » ne coupe pas entièrement l'alimentation des composants électriques du poêle.
- Ne tentez jamais de réparer ou de remplacer une pièce du poêle sauf indication contraire dans les directives de ce guide. Tous les autres travaux doivent être effectués par un technicien qualifié.

L'écran affiche « E1 » clignotant

Causes possibles	Solutions possibles: (Débranchez le poêle avant toute chose quand c'est possible.)
Le ventilateur de convection surchauffe et déclenche l'arrêt de température interne.	Enlevez la poussière des bobinages et pales de ventilateur. Si le graissage du ventilateur ne suffit pas, il se peut que le ventilateur soit défectueux.
Le poêle est demeuré sur le réglage le plus élevé pendant de longues périodes.	En cas d'utilisation du poêle sur le réglage de chauffage le plus élevé, il se peut que la température de la pièce s'élève au point de créer une situation de surchauffe potentielle. Dans ce cas, essayez d'utiliser un réglage de chauffage inférieur.
Un autre combustible que les granulés de bois est brûlé dans le poêle.	Ce poêle à granulés a été conçu et testé pour brûler des granulés de bois. Recherchez la présence de combustibles autre que des granulés de bois. Aucun autre type de combustible n'a été approuvé pour ce poêle à granulés. En présence de signes d'utilisation d'autres types de combustible, cessez immédiatement de les utiliser.
Sur tension ou baisse de tension.	Une surtension, un pic ou une chute de tension peut provoquer le déclenchement du l'interrupteur de surchauffe. Vérifiez si une protection contre les surtensions est installée sur le poêle. Sinon, il est conseillé d'en installer une.
L'interrupteur de surchauffe fonctionne mal.	Si tous les autres éléments paraissent corrects, remplacez l'interrupteur de surchauffe.

**ATTENTION: Cet appareil de chauffage au bois a besoin d'inspection périodique et la réparation pour un fonctionnement correct. Il est contre les règlements fédéraux pour faire fonctionner ce poêle à bois d'une manière incompatible avec les instructions de ce manuel.**





## COMMANDE DE PIÈCES DE RECHANGE

### POUR L'ASSISTANCE SUR LES PIÈCES, APPELEZ LE 800-750-2723, POSTE 5051 OU PAR COURRIEL: PARTS@USSTOVE.COM

Les informations contenues dans ce manuel du propriétaire sont spécifiques à votre appareil. Lors de la commande de pièces de rechange, les informations contenues dans ce manuel vous aideront à vous assurer que les bons articles sont commandés. Avant de contacter le service client, notez le numéro de modèle et le numéro de série de cet appareil. Cette information se trouve sur l'étiquette de certification apposée à l'arrière de l'appareil. D'autres informations qui pourraient être nécessaires sont le numéro de pièce et la description de l'article en question. Les références et les descriptions se trouvent dans la section «Pièces de réparation» de ce manuel. Une fois ces informations recueillies, vous pouvez contacter le service client par téléphone au 1-800-750-2723, poste 5051 ou par e-mail à [parts@usstove.com](mailto:parts@usstove.com).

Informations sur le modèle	
Numéro de modèle	
Numéro de série	

## INSTRUCTIONS SPÉCIFIQUES AUX INSTALLATIONS CANADIENNES

N'obstruez pas l'espace sous l'appareil de chauffage et n'obstruez pas les ouvertures d'air de combustion.

Reportez-vous aux instructions du fabricant de la cheminée pour le démontage de la cheminée/ventilation pour le transport d'un bâtiment transportable.

Les pièces ou matériaux à utiliser pour les protecteurs de braises et les surfaces minimales à couvrir et leur relation avec le radiateur d'appoint, ainsi que l'avis : « Au Canada, pour se conformer à la norme CSA B365, Code d'installation des appareils à combustible solide et équipement, tout revêtement combustible sous l'appareil et/ou dans la zone s'étendant horizontalement à au moins 450 mm (18 po) au-delà de l'appareil de tout côté équipé d'une porte, et à au moins 200 mm (8 po) au-delà de l'appareil de l'autre côté, doivent être protégés par un tampon continu, durable et incombustible qui

fournira une protection contre les braises. La protection contre les braises de 450 mm (18 po) requise de chaque côté avec une porte doit s'étendre sur toute la largeur de l'appareil plus les 200 mm (8 po) requis de chaque côté de l'appareil sans porte. Lorsqu'un appareil est installé à moins de 200 mm (8 po) d'un mur, le tampon de braises ne doit s'étendre que jusqu'à la base du mur. Un tampon de braises ne doit pas être placé sur un tapis à moins que le tampon ne soit structurellement soutenu pour empêcher le déplacement et la distorsion.

Si cet appareil est installé dans un bâtiment transportable, le retrait de la cheminée/ventilation est requis pour le transport du bâtiment.

NE PAS INSTALLER DANS UNE ALCÔVE  
NE PAS INSTALLER DANS AUCUN FOYER

**FUMÉE ET CO MONITEURS**

La combustion du bois produit naturellement le monoxyde de carbone (CO) et de la fumée. CO est un gaz toxique lorsqu'il est exposé à des concentrations élevées pendant des périodes de temps prolongées. Alors que les systèmes de combustion modernes réchauffeurs réduisent considérablement la quantité de CO émise par la cheminée, l'exposition aux gaz dans des zones fermées ou confinées peut être dangereuse. Assurez-vous que vous les joints du poêle et les joints de cheminée sont en bon état de fonctionnement et d'étanchéité correctement pour assurer une exposition involontaire. Il est recommandé d'utiliser les deux écrans de fumée et de CO dans les zones ayant le potentiel de générer CO.

**VÉRIFICATION ET NETTOYAGE DE LA TRÉMIE**

Vérifiez périodiquement la trémie pour déterminer si de la sciure (des fines) s'est accumulée dans le système d'alimentation ou si des granulés sont restés collés à la surface de la trémie. Nettoyez-les si nécessaire.

**JOINTS DE PORTE ET DE VITRE**

Inspecter régulièrement les principales portes et fenêtres en verre joints. La porte principale peut avoir besoin d'être enlevé pour avoir des joints effilochés, brisés ou compactés remplacés par votre revendeur agréé. La porte de cet appareil utilise un joint 3/4 po corde de diamètre.

**MOTEURS DES VENTILATEURS**

Nettoyez tous les ans les orifices d'aération des moteurs des ventilateurs d'évacuation et de distribution. Retirez le ventilateur d'évacuation du conduit d'évacuation et nettoyez ses pales dans le cadre des opérations de mise en marche en automne.

**PEINTURE DE SURFACE**

Les surfaces peintes peuvent être essuyées avec un chiffon humide. Si des rayures apparaissent, ou si vous souhaitez rénover la peinture, adressez-vous au revendeur agréé qui vous fournira un bidon de peinture à haute température adaptée.

**VERRE**

Nous vous recommandons d'utiliser un nettoyeur pour vitres de haute qualité. Si une accumulation de crasse ou de carbone s'accumule, vous pouvez utiliser de la laine d'acier et de l'eau pour nettoyer le verre. N'UTILISEZ PAS de nettoyeurs abrasifs. N'effectuez PAS le nettoyage lorsque la vitre est CHAUDE. N'essayez pas de faire fonctionner l'appareil avec du verre brisé. Le verre de remplacement peut être acheté auprès de votre revendeur américain Stove. Si le verre est brisé, suivez ces procédures de retrait:

1. Une fois le radiateur refroidi, retirez la porte du radiateur.
2. Retirez le joint de corde de la porte, puis les écrous retenant le dispositif de retenue du verre en place.



**MISE EN MARCHÉ À L'AUTOMNE**

Avant de démarrer le premier feu de la saison de chauffage, vérifiez que la zone à l'extérieur des systèmes d'évacuation et d'admission d'air ne soit pas obstruée. Nettoyez et retirez les cendres volantes du système d'évacuation. Nettoyez tous les filtres du système d'évacuation et du tuyau d'entrée d'air extérieur. Activez toutes les commandes et vérifiez qu'elles fonctionnent correctement. C'est aussi le bon moment pour nettoyer à fond la totalité du poêle.

**ARRÊT AU PRINTEMPS**

Après la dernière flambée du printemps, retirez tous les granulés restants de la trémie et du système d'alimentation à tarière. Enlevez tout d'abord les granulés avec une pelle, puis faites fonctionner la tarière jusqu'à ce que la trémie soit vide et que les granulés cessent de couler (il suffit pour cela d'appuyer sur l'interrupteur ON en gardant la porte d'observation ouverte). Passez l'aspirateur dans la trémie. Nettoyez soigneusement le pot de combustion et la chambre de combustion. Si le poêle est dans un endroit humide, il peut être souhaitable de pulvériser du silicone en aérosol à l'intérieur de la trémie nettoyée. Le système d'évacuation doit être soigneusement nettoyé.

**CALENDRIER D'ENTRETIEN**

Suivez le calendrier ci-dessous dans des conditions d'utilisation moyennes. Les joints autour de la porte et de la vitre doivent être inspectés et réparés ou remplacés si nécessaire.

Tous les jours	Toutes les semaines	Tous les mois ou selon les besoins
Pot de combustion	Agité	Vide
Chambre de combustion	Brossée	
Cendres	Vérifiées	Vidées
Chambres intérieures		Aspirées
Pales du ventilateur de combustion		Aspirées / Brossées
Turbine du ventilateur de convection		Aspirée / Brossée
Système d'évacuation		Nettoyé
Joints		Inspectés
Vitre	Essuyée	Nettoyée
Trémie (fin de saison)		Vidée et aspirée

## NE JAMAIS UTILISER CE PRODUIT SANS SURVEILLANCE

service. Il est également conseillé d'inspecter, de nettoyer et si nécessaire de réparer la totalité du système avant chaque saison de chauffage. Pour nettoyer la cheminée, déconnecter l'évacuation du poêle.

**CENDRES VOLANTES**  
Elles s'accumulent dans la portion horizontale du conduit d'évacuation. Bien qu'elles ne soient pas combustibles, elles peuvent gêner le flux normal d'évacuation. Elles doivent donc être périodiquement éliminées.

### ENLÈVEMENT ET ÉLIMINATION DES CENDRES

**AVERTISSEMENT:**

**LAISSEZ LE POÊLE REFROIDIR AVANT D'EFFECTUER TOUT ENTRETIEN OU NETTOYAGE. LES CENDRES DOIVENT ÊTRE ÉVACUÉES DANS UN RÉCIPIENT MÉTALLIQUE DOTÉ D'UN COUVERCLE HERMÉTIQUE. LE RÉCIPIENT À CENDRES FERMÉ DOIT ÊTRE DÉPOSÉ SUR UNE SURFACE NON COMBUSTIBLE OU SUR LE SOL, BIEN À L'ÉCART DE TOUTE MATIÈRE COMBUSTIBLE, AVANT L'ÉLIMINATION DÉFINITIVE.**

Retirez les cendres périodiquement pour éviter l'accumulation inutile de cendres. Retirez les cendres une fois l'unité refroidie. Les cendres doivent être placées dans un récipient en métal avec un couvercle hermétique. Le contenant fermé de cendres doit être placé sur un sol incombustible ou sur le sol, bien éloigné de tout matériau combustible, en attendant l'élimination finale. Si les cendres sont éliminées par enfouissement dans le sol ou autrement dispersées localement, elles doivent être conservées dans le récipient fermé jusqu'à ce que toutes les braises aient été complètement refroidies. Le conteneur ne doit pas être utilisé pour d'autres déchets ou l'élimination des déchets. S'ils sont combinés avec des substances combustibles, les cendres et les braises peuvent s'enflammer. L'élimination des cendres est la suivante:

1. Laissez le feu s'éteindre et laissez l'appareil refroidir à température ambiante.
2. Assurez-vous que le poêle à granulés est à température ambiante avant de le toucher. Ouvrez la porte, retirez le pot de combustion et videz-le dans un récipient en métal.
3. Aspirez les cendres de la chambre de combustion. ASSUREZ-VOUS QUE LES CENDRES SONT FROIDES AVANT D'ASPIRER. Certains aspirateurs peuvent laisser échapper des cendres dans la pièce. Votre aspirateur doit avoir un filtre ou un sac spécial pour éliminer les fuites.
4. Réinstallez le pot de combustion.

**AVERTISSEMENT:**

- LE DÉFAUT DE NETTOYAGE ET D'ENTRETIEN DE CET APPAREIL COMME INDiqué PEUT ENTRAÎNER UNE BAISSÉ DES PERFORMANCES ET UN RISQUE POUR LA SÉCURITÉ.
- DÉBRANCHEZ LE CORDON ÉLECTRIQUE DU POÊLE AVANT DE RETIRER LE PANNEAU ARRIÈRE OU D'OUVRIr LE SYSTÈME D'ÉVACUATION POUR TOUTE TÂCHE D'INSPECTION, DE NETTOYAGE OU D'ENTRETIEN.
- NE PROCÉDEZ JAMAIS À L'INSPECTION, AU NETTOYAGE OU À L'ENTRETIEN SUR UN POÊLE CHAUD.
- N'UTILISEZ PAS LE POÊLE SI LA VITRE EST CASSÉE, IL POURRAIT EN RÉSULTER UNE FUIrE DE GAZ DE COMBUSTION.
- LES TENTATIVES D'OBTENIR DES TAUX DE SORTIE DE CHALEUR QUI DÉPASSENT LES SPÉCIFICATIONS DE CONCEPTION DU CHAUFFAGE PEUVENT CAUSER DES DOMMAGES PERMANENTS AU CHAUFFAGE.

### FORMATION, INSPECTION ET ÉLIMINATION DE LA CRÉOSOTE

**MISE EN GARDE:**

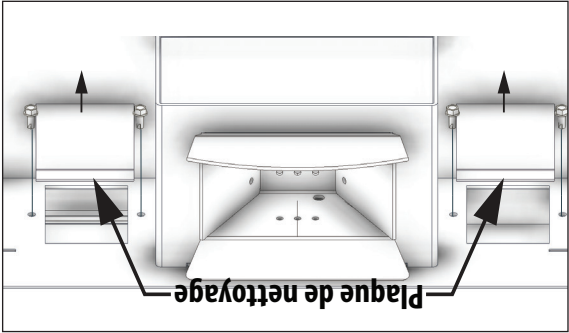
**LE SYSTÈME D'ÉCHAPPEMENT DOIT ÊTRE VÉRIFIÉ MENSUEL PENDANT LA SAISON DE BRÛLURE POUR TOUT ACCUMULATION DE SUIE OU DE CRÉOSOTE.**

Lorsque le bois brûle lentement, il produit du goudron et d'autres vapeurs organiques qui se combinent avec l'humidité rejetée pour former la créosote. Les vapeurs de créosote se condensent dans un conduit de cheminée relativement froid ou si le feu vient de démarrer ou brûle lentement. Ainsi, les résidus de créosote s'accumulent sur le boisseau. Si elle prend feu, cette créosote produit un feu extrêmement chaud qui peut endommager la cheminée, voire détruire la maison. En dépit de leur grande efficacité, les poêles à granulés peuvent accumuler de la créosote dans certaines conditions. Le raccord et le conduit de cheminée doivent être inspectés par une personne qualifiée une fois par an ou par tonne de granulés pour déterminer si une accumulation de créosote ou de cendres volantes s'est produite. Si la créosote s'est accumulée, elle doit être enlevée pour réduire le risque de feu de cheminée. Inspectez le système au niveau du raccord avec le poêle et en haut de la cheminée. Les surfaces plus froides ont tendance à accumuler les dépôts de créosote plus rapidement; il est donc important de vérifier la cheminée par le haut ainsi que par le bas. La créosote doit être éliminée avec une brosse spécialement conçue pour le type de cheminée utilisé. Un ramonneur qualifié peut fournir ce

## CHAMBRES INTÉRIEURES

- **Pot de combustion** - Retirez et nettoyez périodiquement le pot de combustion et la zone à l'intérieur du boîtier du pot de combustion. En particulier, il est conseillé de nettoyer les trous du pot de combustion pour éliminer toute accumulation qui pourrait empêcher l'air de circuler librement dans le pot de combustion.
- **Échangeur de chaleur** - Deux plaques de nettoyage doivent être retirées afin de nettoyer les cendres volantes de l'échangeur de chaleur. Ouvrez la porte pour accéder aux nettoyages situés à l'intérieur de la chambre de combustion, un de chaque côté du pot de combustion. Les nettoyages sont fixés à la chambre de combustion avec (2) vis de 5/16" chacune. Retirez les nettoyages et aspirez les cendres accumulées. Cela devrait être fait au moins une fois par mois ou plus fréquemment si de grandes quantités de cendres sont remarquées pendant le nettoyage ou si le poêle ne semble pas brûler correctement.

Au fil du temps, de la cendre ou de la poussière peuvent s'accumuler sur les pales des ventilateurs de circulation et d'extraction. Les ventilateurs doivent être inspectés périodiquement et, en cas d'accumulation, les nettoyer à l'aspirateur car les cendres ou la poussière peuvent nuire aux performances des ventilateurs. Il est également possible que la cérosote puisse s'accumuler dans le ventilateur d'extraction, il doit donc être nettoyé à la brosse. Le ventilateur d'extraction



**AVERTISSEMENT:**  
**L'ENSEMBLE DE MAINTENANCE L'ENTRETIEN PROPRE DETERMINANT UNE PERFORMANCE DE CE POÊLE.**

### NE PAS ASPIRER LES CENDRES CHAUDES.

se trouve derrière le panneau latéral gauche (face à l'avant du radiateur), le ventilateur de circulation se trouve derrière le panneau latéral droit. Pour accéder à l'allumeur, retirez le tube d'entrée d'air et le couvercle (2 vis). Le moteur de la vis sans fin est situé au centre arrière de l'unité. Remarque: lors du nettoyage, veillez à ne pas endommager les pales du ventilateur. Si un aspirateur est utilisé pour nettoyer votre poêle, nous vous suggérons d'utiliser l'aspirateur AV15E AshVac. L'AV15E AshVac est conçu pour l'élimination des cendres. Certains aspirateurs ordinaires (c'est-à-dire les aspirateurs d'atelier) peuvent laisser échapper des cendres dans la pièce.

REMARQUE: L'ouverture de la porte du poêle pendant plus de 30 secondes pendant le fonctionnement provoque un changement de pression suffisant pour activer l'interrupteur pneumatique qui arrête l'alimentation en combustible. Le poêle s'éteint et la mention « E2 » s'affiche sur l'écran à deux chiffres. Le poêle doit s'arrêter complètement avant de pouvoir être redémarré.

2. En cas de défaillance du ventilateur de combustion, un interrupteur pneumatique interrompt automatiquement la tarrière.

REMARQUE: Sur certains appareils, une fois le bouton de réinitialisation déclenché, comme un disjoncteur, il faut appuyer dessus pour redémarrer le poêle. Sur d'autres appareils, le thermostat ne comporte pas de bouton de réinitialisation et se réinitialise lorsque le poêle a refroidi. Le fabricant vous recommande de vous adresser au revendeur si cela se produit car cela peut indiquer un problème plus grave. Il peut s'avérer nécessaire d'appeler le service de réparation.

B. En cas de dysfonctionnement du ventilateur de convection, le thermostat haute température arrête automatiquement la tarrière, ce qui prévient une surchauffe du poêle.

A. Détecter une surchauffe du poêle et arrêter le système d'alimentation en combustible ou la tarrière.

1. Ce poêle est équipé d'un thermostat haute température. Cet appareil comporte un thermostat à réarmement manuel. Cet interrupteur de sécurité a deux fonctions.

Pour arrêter le poêle, il suffit d'appuyer sur la touche « POWER » du tableau d'affichage. Le témoin vert repasse au rouge lorsqu'on appuie sur la touche « POWER ». Le moteur de la tarrière s'arrête et les ventilateurs continuent de fonctionner jusqu'à ce que la température de la chambre de combustion interne ait baissé jusqu'à un niveau prédéfini.

**NE JAMAIS ARRÊTER CET APPAREIL EN LE DÉBRANCHANT DE LA SOURCE D'ALIMENTATION.**

**AVERTISSEMENT:**

## PROCÉDURE D'ARRÊT

Ce poêle à bois a un taux de combustion faible minimum, défini par le fabricant, qui ne doit pas être modifié. Il est contraire à la réglementation fédérale de modifier ce paramètre ou d'utiliser ce radiateur à bois d'une manière non conforme aux instructions d'utilisation de ce manuel.

## AVERTISSEMENT DE SABOTAGE

**AVERTISSEMENT:**

- **GARDEZ LE COUVERCLE DE LA TRÉMIE FERMÉ À TOUT MOMENT, SAUF PENDANT LE REMPLISSAGE.**
- **NE REMPLISSEZ PAS TROP LA TRÉMIE.**

**AVERTISSEMENT:**

- **LA TRÉMIE ET LE COUVERCLE DU POÊLE SONT CHAUDS PENDANT LE FONCTIONNEMENT ; VOUS DEVEZ TOUJOURS PROTÉGER VOS MAINS LORS DU REMPLISSAGE DU POÊLE.**
- **NE TOUCHEZ PAS AUX SURFACES CHAUDES DU POÊLE. ENSEIGNEZ AUX ENFANTS LES DANGERS DES POÊLES À HAUTE TEMPÉRATURE. LES JEUNES ENFANTS DOIVENT ÊTRE SURVEILLÉS LORSQU'ILS SE TROUVENT DANS LA MÊME PIÈCE QUE LE POÊLE.**
- **NE PLACEZ JAMAIS VOTRE MAIN PRÈS DE LA TARIÈRE LORSQUE LE POÊLE EST EN MARCHÉ.**
- **NOUS VOUS RECOMMANDONS DE NE PAS LAISSER LA TRÉMIE TOMBER EN DESSOUS DU 1/4 PLEIN.**

## RECHARGE EN COMBUSTIBLE

Le feu s'éteint; le moteur de la tarrière et les ventilateurs restent en fonctionnement jusqu'à ce que le poêle ait refroidi. Cela peut prendre 30 minutes ou plus, en fonction de la chaleur résiduelle dans l'appareil. Après l'arrêt des composants du poêle, tous les témoins de l'écran s'éteignent et l'écran à deux chiffres affiche « E3 » en clignotant.

## SI LE POÊLE MANQUE DE GRANULES

Lors du démarrage du poêle, le ventilateur de la pièce ne se met pas en marche tant que l'échangeur thermique du poêle n'est pas chaud. Cela prend habituellement environ 10 minutes après le démarrage.

## VENTILATEUR DE LA PIÈCE

**AVERTISSEMENT:**

- **NE FAITES PAS FONCTIONNER VOTRE POÊLE AVEC LA PORTE VUE OUVERTE. LA TARIÈRE N'ALIMENTERA PAS DE GRANULES DANS CES CIRCONSTANCES ET UN PROBLÈME DE SÉCURITÉ PEUT PROVOQUER DES ÉTINCELLES OU DES FUMÉES ENTRANT DANS LA PIÈCE.**
- **LA PORTE DOIT ÊTRE FERMÉE ET SCELLÉE PENDANT LE FONCTIONNEMENT.**

Si la porte est ouverte pendant le fonctionnement du poêle, elle doit être refermée dans les 30 secondes, sinon le poêle s'éteint. Si le poêle s'éteint, appuyez sur l'interrupteur ON/OFF pour le redémarrer. Le poêle doit être complètement arrêté et débranché avant de pouvoir être redémarré.

## OUVERTURE DE LA PORTE



## VÉRIFICATION AVANT LA MISE EN

### MARCHE

Retirez le pot de combustion, vérifiez qu'il soit propre et qu'aucun des orifices d'air ne soit bouché. Nettoyez la chambre de combustion puis réinstallez le pot de combustion. Nettoyez la vitre de la porte si nécessaire (un chiffon sec ou une serviette en papier suffit généralement). N'utilisez jamais de produits nettoyants abrasifs sur la vitre ou la porte. Vérifiez le combustible dans la trémie, et remplissez-la si nécessaire.

### CONSTRUIRE UN FEU

N'utilisez jamais de grille ou autre moyen de supporter le carburant. Utilisez uniquement le pot de combustion fourni avec ce radiateur. Le couvercle de la trémie doit être fermé pour que l'unité puisse alimenter des granulés. Pendant la période de démarrage:

- Assurez-vous que le pot de combustion ne contient pas de granulés.
- N'ouvrez PAS la porte de visualisation.
- N'ajoutez PAS de granulés dans le pot de combustion à la main.

REMARQUE: Au cours des premiers incendies, votre poêle émettra une odeur lorsque la peinture à haute température durcit ou deviendra assainie au métal. Le maintien de petits incendies minimisera cela. Évitez de placer des articles sur la cuisinière pendant cette période car la peinture pourrait être affectée. Les tentatives pour atteindre des débits de chaleur dépassant les spécifications de conception du réchauffeur peuvent entraîner des dommages permanents au réchauffeur.

### FONCTIONNEMENT OPTIMAL

Ce poêle à granulés a été certifié par l'EPA des États-Unis pour répondre aux directives strictes de 2020. Pour garantir que cette unité produit les émissions minimales optimales, il est essentiel de suivre les directives suivantes. Pour obtenir une « combustion élevée », votre poêle doit être réglé sur le réglage 5 avec le registre ouvert. Pour obtenir une « combustion moyenne », votre poêle doit être réglé sur le réglage 3 avec le registre ouvert à 50 %. Pour obtenir une « combustion faible », votre poêle doit être réglé sur le réglage 1 avec le registre fermé. Si la porte est ouverte pendant que le poêle est en fonctionnement, elle doit être fermée dans les 30 secondes sinon le poêle s'éteindra. Si le poêle s'éteint, appuyez sur le bouton « On/Off » pour redémarrer votre poêle. Le poêle devra être complètement éteint et éteint avant de pouvoir redémarrer le poêle.

### IGNITEUR

1. Remplissez la trémie et nettoyez le pot de combustion.
2. Appuyez sur le bouton « Marche / Arrêt ». Assurez-vous que le voyant vert s'allume.
3. Ajustez la vitesse d'alimentation au réglage souhaité en appuyant sur le bouton « Avance du niveau de chaleur ».

Si le feu ne démarre pas dans 12 minutes, appuyez sur « Marche / Arrêt », attendez quelques minutes, dégâgez le pot de combustion et recommencez la procédure.



## PARAMÈTRES DE L'AMORTISSEUR

<b>AVERTISSEMENT:</b>
<ul style="list-style-type: none"> <li>• GARDER LES OBJETS ÉTRANGERS HORS DE LA TRÉMIE.</li> <li>• LES PIÈCES MOBILES DE CE POÈLE SONT MUES PAR DES MOTEURS ÉLECTRIQUES AU COUPLE ÉLEVÉ. ÉLOIGNEZ TOUTES LES PARTIES DU CORPS DE LA PRISE ÉLECTRIQUE. CES PIÈCES MOBILES PEUVENT COMMENCER À BOUGER À TOUT MOMENT LORSQUE LE POÈLE EST BRANCHÉ.</li> </ul>

Le poêle à granulés est conçu pour brûler des granulés de bois dur de qualité supérieure conformes à la norme PFI (Pellet Fuels Institute) (densité minimale de 40 lb par pied cube, diamètre de 1/4 à 5/16 moins de 8 200 BTU / lb, humidité inférieure à 8% en poids, cendres inférieure à 1% en poids et sel inférieure à 300 parties par million). Les granulés mous, contenant une quantité excessive de sciure de bois en vrac, qui ont été ou sont mouillés, réduiront les performances. Rangez vos pellets dans un endroit sec. NE stockez PAS le carburant dans les dégagements d'installation de l'appareil ou dans l'espace requis pour faire le plein et enlever les cendres. Cela pourrait provoquer un incendie. Ne pas trop brûler ou utiliser des combustibles volatils ou des combustibles, cela pourrait causer des dommages aux personnes et à la propriété. Cet appareil n'est homologué que pour brûler du carburant sous forme de granulés de bois ; Les granulés approuvés mesurent 1/4 po. Ou 5/16 po. De diamètre et pas plus de 1 po. De long. Les granulés plus longs ou plus épais peuvent bloquer les ailettes de la tarrière, ce qui empêche une bonne alimentation en granulés. Il est interdit de brûler du bois sous d'autres formes que des granulés. Il s'agit d'une violation des codes du bâtiment pour lesquels le poêle a été approuvé, et cela annulerait toutes les garanties. La conception du poêle intègre l'alimentation automatique des granulés dans le feu selon un rythme soigneusement calculé. Un autre combustible introduit à la main n'augmenterait pas la production de chaleur, mais pourrait nuire gravement aux performances du poêle en générant beaucoup de fumée. Ne brûlez pas de granulés mouillés. Les performances du poêle dépendent fortement de la qualité des granulés. Évitez les marques de granulés qui présentent les caractéristiques suivantes :

- Un excès de fines – Le terme « fines » décrit les granulés écrasés ou les matériaux libres qui ressemblent à de la sciure ou à du sable. Il est possible de tamiser les granulés avant de les placer dans la trémie pour éliminer la plupart des fines.
- Des liants – Certains granulés sont produits avec des matériaux liants qui les agglutinent, les « lient ».
- Un contenu élevé en cendres – Ces granulés de mauvaise qualité créent souvent de la fumée et salissent la vitre. L'entretien devra être plus fréquent. Il faudra vider le pot de combustion et aspirer la totalité du système plus fréquemment. Des granulés de mauvaise qualité pourraient endommager la tarrière. Nous ne pouvons accepter aucune responsabilité en cas de dommages dus à des granulés de mauvaise qualité.

<b>AVERTISSEMENT:</b>
<p>L'APPAREIL EST CONÇU POUR ÊTRE UTILISÉ AVEC DU COMBUSTIBLE EN GRANULÉS CONFORME À OU EXCÉDANT LA NORME ÉTABLIE PAR LE PELLETS FUEL INSTITUTE (PFI). L'UTILISATION D'AUTRES COMBUSTIBLES ANNULE LA GARANTIE.</p>

## CARBURANT APPROPRIÉ

Cet appareil est conçu pour brûler uniquement PFI pellets Premium qualité. NE PAS BRÛLER:

1. Des déchets;
2. Coupures de gazon ou les déchets de jardin;
3. Les matériaux contenant du caoutchouc, y compris les pneumatiques;
4. Les matériaux contenant de plastique;
5. Produits pétroliers des déchets, des peintures ou des diluants de peinture ou de produits d'asphalte;
6. Les matériaux contenant de l'amiante;
7. Les débris de construction ou de démolition;
8. Liens ou de bois traité sous pression Railroad;
9. Fumier ou restes d'animaux;
10. Sel de bois flotté de l'eau ou d'autres matériaux préablement eau salée saturés;
11. Bois de; ou
12. Les produits de papier, de carton, de contreplaqué ou de particules. L'interdiction de la combustion de ces matériaux n'interdit pas l'utilisation des démarreurs de feu fabriqués à partir de papier, de carton, de sciure, de cire et substances similaires dans le but de déclencher un incendie dans un poêle à bois affecté.

Brûler ces matériaux peut entraîner la libération de fumées toxiques ou de rendre l'appareil de chauffage de la fumée inefficace et cause.

<b>AVERTISSEMENT:</b>
<ul style="list-style-type: none"> <li>• N'UTILISEZ PAS DE PRODUITS CHIMIQUES OU DE FLUIDES POUR ALLUMER LE FEU - N'UTILISEZ JAMAIS D'ESSENCE, DE KÉROSENE, DE LIQUIDE À BRIQUET À CHARBON OU DE LIQUIDES SIMILAIRES POUR ALLUMER OU « RAFFRAÎCHIR » UN FEU DANS CE POÈLE. GARDEZ TOUS CES LIQUIDES ÉLOIGNÉS DU POÈLE PENDANT SON UTILISATION.</li> <li>• CHAUD EN FONCTIONNEMENT. TENIR LES ENFANTS, LES VÊTEMENTS ET LES MEUBLES À L'ÉCART. LE CONTACT PEUT CAUSER DES BRÛLURES DE LA PEAU.</li> </ul>



NE JAMAIS UTILISER CE PRODUIT SANS SURVEILLANCE

COMMANDES / TELECOMMANDES DU TABLEAU



REMARQUE :  
La plage de fonctionnement de cette télécommande se situe à moins de 16-1/12 pi de l'appareil.

Les ventilateurs et l'alimentation en carburant automatique sont contrôlés à partir d'un panneau situé sur le dessus de cet appareil. Les fonctions du panneau de commande sont les suivantes.

A. INTERRUPTEUR ON/OFF  
En appuyant sur ce bouton, le poêle s'allume automatiquement. Aucun autre allume-feu n'est nécessaire. L'allumeur reste activé pendant au moins 10 minutes et jusqu'à 12 minutes en fonction du moment où le seuil de détection de feu est atteint. Le feu devrait démarrer en 5 minutes environ.

Le témoin rouge situé au-dessus du bouton « On/Off » passe au vert lorsqu'il est enfoncé et reste vert jusqu'à l'arrêt du poêle.

Après l'appui sur le bouton « On/Off », le moteur de la tarrière fonctionne pendant 3,5 minutes, puis s'arrête pendant 1 minute. Pendant le reste de la période de démarrage, le moteur de la tarrière fonctionne sur le réglage « 1 » de niveau de chauffage.

Pendant le démarrage, le réglage du niveau de chauffage (touches H et L) modifie le niveau du témoin de plage de chaleur, mais les conditions de fonctionnement du poêle ne changent pas avant la fin de la période de démarrage.

Pendant la période de démarrage, le feu doit démarrer en 12 minutes, sinon le poêle passe en mode d'erreur et affiche le code E4.  
Pendant la phase de démarrage, la touche Mode n'est pas fonctionnelle.

B. TOUCHES FLÉCHÉES DE NIVEAU / TEMPÉRATURE

Ces touches permettent de régler le débit d'alimentation des granulés, et par conséquent la production ou la plage de chaleur du poêle.  
Les niveaux de production de chaleur changent progressivement sur le diagramme en barres, passant du niveau « 1 » au niveau « 5 » de chauffage.

C. Touche °C / °F

La touche °C / °F fait passer l'affichage à deux chiffres des degrés Celsius aux degrés Fahrenheit et vice-versa.

D. TOUCHE mode (M/T)

Le Mode de fonctionnement du poêle peut être Manuel ou commandé par un Thermostat. Des diodes distinctes, à gauche de l'écran à deux chiffres, indiquent le mode de fonctionnement – Manuel ou T-Stat. Le poêle doit être en mode Manuel au mode T-Stat.

Le mode Manuel fonctionne conformément aux 5 niveaux de réglage d'alimentation sur le diagramme, du niveau de chauffage « 1 » au niveau « 5 ».

Le mode T-Stat fonctionne de la manière suivante :

Le poêle est équipé d'un thermostat intégré dans ses commandes. Le capteur de température du thermostat se trouve à l'arrière du poêle, derrière le panneau d'affichage.

Une fois le poêle en mode de fonctionnement, il est possible de le placer en mode T-Stat.

Les touches fléchées Haut et Bas de Niveau / Température permettent de modifier la température de déclenchement (point de consigne).

Une fois la température souhaitée atteinte, l'écran à deux chiffres clignote pendant quatre secondes et indique la température réelle de la pièce.

Lorsque le poêle atteint une plage de 3 °F autour du point de consigne souhaité, il revient à la plage de chaleur pour laquelle il était réglé avant de passer en mode T-Stat (si le poêle était réglé sur le niveau de chauffage « 5 » avant de passer en mode T-Stat, il revient à niveau de chauffage « 5 » lorsqu'il atteint la plage de 3 °F autour du point de consigne.

Lorsque le poêle atteint le point de consigne souhaité, il passe au niveau de chauffage « 1 ».

Lorsque la température ambiante passe sous le point de consigne souhaité, le poêle chauffe de nouveau jusqu'à la température souhaitée.



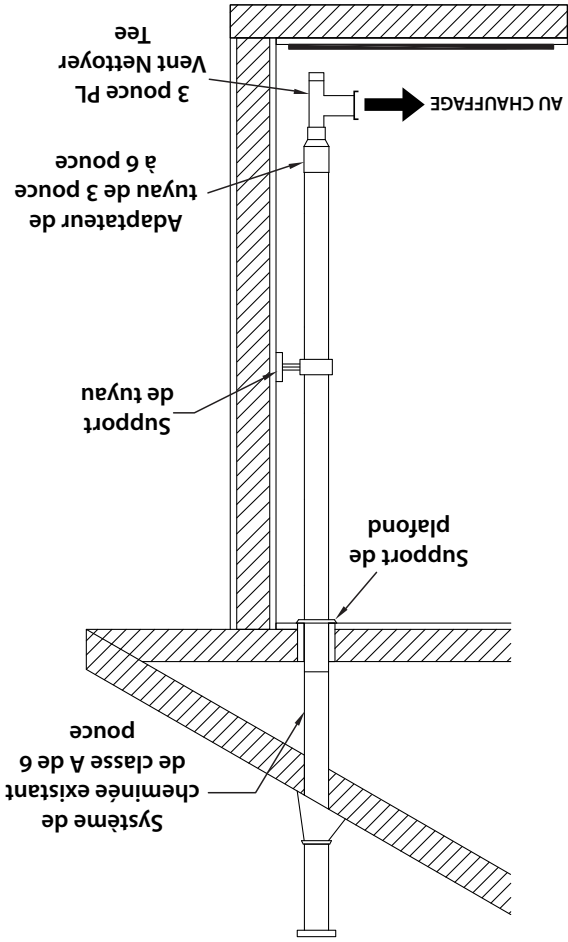
## VENTILER VOTRE POÊLE À GRANULÉS DANS UN SYSTÈME DE CHEMINÉE EXISTANT DE 6" PO

1. Vous devez faire nettoyer et / ou inspecter le système de cheminée existant par un ramoneur qualifié avant de procéder à l'installation de votre poêle à granulés.
2. Vous trouverez ci-dessous des exemples d'installations utilisant le numéro de pièce 860001, transition de 3 à 6 pouces vers un tuyau de connecteur de 6 pouces. les illustrations ci-dessous ne sont que des exemples. Veuillez confirmer à tous les codes du bâtiment locaux ou réglementations ayant compétence avant de demander à un installateur qualifié de procéder à cette installation.

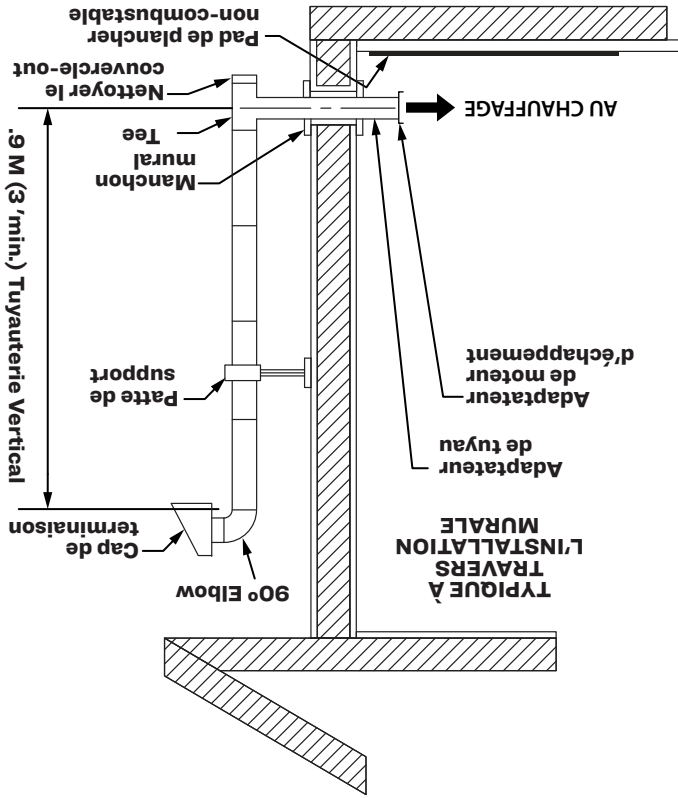
**AVERTISSEMENT:**

**VOUS VOUDREZ PEUT-ÊTRE LOCALISER LES UTILITAIRES OU LES OBSTACLES À L'INTÉRIEUR DU MUR AVANT DE TENTER CETTE INSTALLATION. ASSUREZ-VOUS DE GARDER À L'ESPRIT LES EXIGENCES DE DÉGAGEMENT DE VOTRE UNITÉ**

1. Marquez la zone, puis coupez le mur pour l'installation de l'évent si nécessaire.
2. Installez le dé à coudre mural comme spécifié par le fabricant. (dé à coudre de mur vendu séparément)
3. Installez la ventilation.



## GRÂCE À L'INSTALLATION DE MUR (INSTALLATION RECOMMANDÉE)



Les installations canadiennes doivent se conformer à la norme CAN/CSA-B365. Pour évacuer l'unité à travers la paroi, branchez l'adaptateur de tuyau à l'adaptateur de moteur d'échappement. Si l'adaptateur d'échappement est d'au moins 18 po (457 mm) au-dessus du niveau du sol, une section droite de tuyau d'évent peut être utilisée à travers le mur. Votre concessionnaire de chauffage devrait être en mesure de vous fournir un kit qui va gérer la plupart de cette installation, qui comprendra une bague murale qui permettra le jeu correct travers un mur combustible. Une fois hors de la structure, un 3 po (76 mm) de dégagement devrait être maintenu dans le mur extérieur et un tee ressorte propre doit être placé sur le tuyau avec un 90 degrés tourner loin de la maison. À ce stade, une section de 3 pieds (0,91 m) (minimum) de la conduite devrait être ajoutée avec un bouchon horizontal, qui viendrait compléter l'installation. Une patte de support doit être placée juste sous le bouchon de terminaison ou

**ATTENTION:**  
**ISI VOUS INSTALLEZ VOTRE POÊLE À GRANULÉS EN REMPLACEMENT D'UN POÊLE À BOIS EXISTANT, VOUS POUVEZ INSTALLER VOTRE POÊLE À GRANULÉS EN UTILISANT LE SYSTÈME DE VENTILATION DE 6 PO EXISTANT.**

- Lors de la ventilation du radiateur à travers le plafond, le tuyau est connecté de la même manière que dans le mur, sauf que le té de nettoyage est toujours à l'intérieur de la maison et qu'un adaptateur de 3 po (76 mm) est ajouté avant le nettoyage.
- Vous devez utiliser les brides de support de plafond et le solin de toit appropriés (fournis par le fabricant de tuyaux; suivez les instructions du fabricant de tuyaux). Il est important de noter que si votre longueur verticale de tuyau est supérieure à 12 pi (3,7 m), la taille du tuyau d'évent à granulés doit être augmentée à 4 po (102 mm) de diamètre.
- Ne dépassez pas plus de 4 pieds (1,22 m) de tuyau sur une longueur horizontale et utilisez le moins de coudes possible. Si un décalage est nécessaire, il est préférable d'installer des coudes à 45 degrés plutôt que des coudes à 90 degrés.

## INSTALLATION PAR LE TOIT/LE PLAFOND

un tous les 4 pieds (1,22 m) pour rendre le système plus stable. Si vous habitez dans une région qui a fortes chutes de neige, il est recommandé que l'installation soit plus grand que 3 pieds (0,91 m) pour obtenir au-dessus de la ligne de congère. Cette même installation peut être utilisée si votre chauffe-eau est en dessous du niveau du sol en ajoutant simplement la section de nettoyage et tuyau vertical intérieur jusqu'à ce que le niveau du sol est atteint. Avec cette installation, vous devez être conscient de la hauteur de la neige, l'herbe morte, et les feuilles. Nous recommandons un (0,91 m) élévation verticale minimale de 3 pieds à l'intérieur ou à l'extérieur de la maison. L'installation "à travers le mur" est l'installation la moins chère et la plus simple. Ne jamais mettre fin à l'évent de fin sous un pont, dans une alcôve, sous une fenêtre, ou entre deux fenêtres.

## ECHAPPÉMENT HORIZONTALES INSTALLATION

1. Localisez votre poêle à granules dans un endroit qui répond aux exigences de ce manuel, mais dans une zone où il ne gêne pas la charpente de la maison, le câblage, etc.

2. Installez un tampon de foyer non combustible sous le poêle à granules. Ce coussin doit dépasser d'au moins 6 po (152 mm) en face de l'unité.

3. Placez le poêle à granules environ 15 po (381 mm de) loin de la paroi intérieure.

4. Localisez le centre du tuyau d'échappement de votre unité. Ce point devrait ensuite être étendu à la paroi intérieure de votre maison. Une fois que vous avez localisé le point central, sur la paroi intérieure, coupez un trou 7 po (175 mm) de diamètre dans le mur.

5. L'étape suivante consiste à installer le coupe-feu mural, reportez-vous aux instructions qui viennent avec le coupe-feu mural pour cette étape.

6. Installez la longueur appropriée du conduit d'évacuation des gaz d'échappement dans la gaine murale. Voir les étapes 11 et 12 pour déterminer la bonne longueur de conduit d'évacuation à utiliser.

7. **En dehors de l'air frais est obligatoire lors de l'installation de cette pastille de poêle de chauffage dans les maisons étanches à l'air et les maisons mobiles. Assurez-vous que l'évent de l'air extérieur a un plafond approuvé sur elle pour empêcher les rongeurs d'entrer. Assurez-vous d'installer dans un endroit qui ne sera pas devenir bloqué avec de la neige, etc.**

8. Connectez le tuyau d'évacuation des gaz d'échappement à la sortie d'échappement de votre poêle à granules.

9. Fixer tous les raccords de ventilation conjoints avec 3 vis. Sceller le conduit d'évacuation des connexions communes avec haute température silicone.

10. Poussez l'unité vers l'arrière à la paroi intérieure, en étant sûr de maintenir les distances minimales à combustibles annulaire de l'appareil. Sceller l'espace annulaire de la paroi virole et autour du tuyau de ventilation à haute température silicone.

11. Le tuyau d'évent d'échappement doit dépasser d'au moins 12 po (300mm) sur au-delà du mur extérieur. Sceller l'espace annulaire de la paroi virole et autour du tuyau de ventilation à haute température silicone.

12. Installez un bouchon de terminaison horizontal approuvé ou si nécessaire installer un coude à 90 ° et la longueur appropriée de ventilation verticale. Un capuchon d'évent vertical approuvé est recommandé.

F. Dégagement minimum de 3 pi. (0,91 m) autour de l'entrée d'air forcée de tout appareil.

G. Dégagement minimum de 2 pi. (0,61 m) sous les avancées de toiture ou surplombs.

H. Dégagement minimum de 1 pi. (0,3 m) à l'horizontale de tout mur en matériau combustible.

I. Doit se trouver au minimum à 3 pi. (0,91 m) au-dessus du toit et à 2 pi. (0,61 m) au-dessus de toute faitière du toit située à moins de 10 pi (3,05 m).

Déterminer où installer votre nouveau poêle à granules. Pour obtenir l'utilisation la plus efficace possible de la chaleur recirculée, vous devriez envisager une pièce située au centre de votre maison. Choisissez une pièce grande et ouverte. Il est extrêmement important de maintenir des dégagements appropriés par rapport aux surfaces ou matériaux combustibles dans la pièce où votre appareil de chauffage sera situé. Vous pouvez trouver les mesures de dégagement appropriées dans ce manuel et sur l'étiquette signalétique de votre poêle à granules. Le poêle à granules peut être ventilé à travers un mur extérieur ou dans une cheminée en maçonnerie ou en métal existante si le tuyau de ventilation «PL» ou «L» est utilisé dans toute la cheminée existante. La ventilation peut traverser le plafond et le toit si le tuyau approuvé est utilisé. Lorsqu'un passage à travers un mur ou une cloison de construction combustible est souhaité, l'installation doit être conforme à la norme CAN / CSA-B365.

**AVERTISSEMENT:**

- NE PAS OBTENIR D'AIR DE COMBUSTION DU GRENIER, DU GARAGE OU DE TOUTE AUTRE ZONE NON VENTILÉE. VOUS POUVEZ OBTENIR DE LAIR DE COMBUSTION À PARTIR D'UN ESPACE DE NAVIRE VENTILÉ.
- NE PAS INSTALLER D'AMORTISSEUR DE FUMÉE DANS LE SYSTÈME D'ÉVACUATION D'ÉCHAPPÉMENT DE CET APPAREIL.
- NE RACCORDEZ PAS CET APPAREIL À UNE CHEMINÉE DE CHEMINÉE SERVANT UN AUTRE CHAUFFAGE, FOURNAISE OU APPAREIL.
- INSTALLER L'ÉVENT AUX DÉGAGEMENTS SPÉCIFIÉS PAR LE FABRICANT DE L'ÉVENT.
- UTILISEZ UNIQUEMENT UN MATÉRIEL APPROUVÉ POUR L'INSTALLATION, LE NON-RESPECT DE CES INSTRUCTIONS PEUT ENTRAÎNER DES DOMMAGES MATÉRIELS, DES BLESSURES CORPORELLES OU MÊME LA MORT.

Cet appareil est certifié pour une utilisation avec un numéro 3 pouces ou 4 pouces "PL" produits granules de ventilation. L'utilisation d'autres composants autres que mentionnés ici pourrait causer des lésions corporelles, les dommages de chauffage, et annuler votre garantie.

m). Ceci pourrait provoquer une contre-pression. N'utilisez pas plus de 180 degrés de coudagage (deux coudes à 90 degrés, ou deux coudes à 45 degrés et un coude à 90 degrés, etc.) pour conserver un tirage adéquat.

**IMPORTANT DU PROJET CORRECTE**

Le tirage est la force qui déplace l'air de l'appareil à travers la cheminée. Le montant du projet dans votre cheminée dépend de la longueur de la cheminée, la géographie locale, les observations avoisinantes et d'autres facteurs. Trop projet peut causer des températures excessives dans l'appareil. Un tirage inadéquat peut provoquer un retour de fumée dans la pièce et «brancher» de la cheminée. Un tirage inadéquat entraînera l'appareil à une fuite de fumée dans la pièce par appareil et le connecteur de cheminée joints. Une combustion incontrôlable ou une température excessive indique un tirage excessif. Prendre en compte l'emplacement de la cheminée pour assurer qu'il ne soit pas trop proche de voisins ou dans une vallée qui peut causer des conditions insalubres ou nuisibles.

**TYPE D'ÉVENT À GRANULÉS**

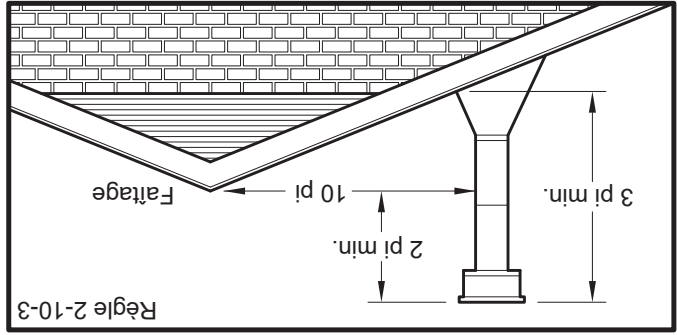
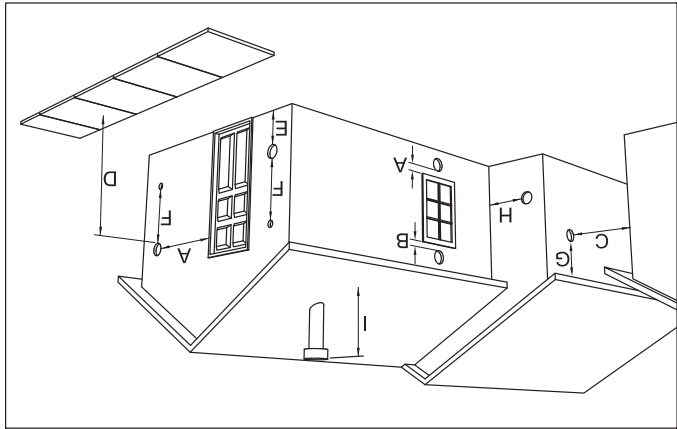
Un système d'évacuation des granulés de type «PL» certifié de 3 pouces ou 4 pouces doit être utilisé pour l'installation et fixé au raccord de tuyau fourni à l'arrière du poêle (utilisez un adaptateur de 3 pouces à 4 pouces pour 4 pouces tuyau). La connexion à l'arrière du poêle doit être scellée à l'aide de Hi-Temp RTV. Utilisez un évent de 4 pouces si la hauteur de l'évent est supérieure à 12 pieds ou si l'installation est à plus de 2500 pieds au-dessus du niveau de la mer. Nous recommandons l'utilisation de tuyaux Simpson Dura-Vent® ou Metal-Fab® (si vous utilisez d'autres tuyaux, consultez les codes du bâtiment locaux et / ou les inspecteurs en bâtiment). N'utilisez pas de tuyau d'évent de gaz de type B ou de tuyau galvanisé avec cet appareil. Le tuyau d'évent à granulés est conçu pour être démonté pour le nettoyage et doit être vérifié plusieurs fois pendant la saison de combustion. Le tuyau d'évent à granulés n'est pas fourni avec l'appareil et doit être acheté séparément.

**INSTALLATION D'ÉVENT À GRANULÉS**

L'installation doit comprendre un té de nettoyage pour permettre la collecte des cendres volantes et pour permettre le nettoyage périodique du système d'échappement. Les coudes à 90 degrés accumulent les cendres volantes et la suie, réduisant ainsi le débit d'échappement et les performances du poêle. Chaque coude ou té réduit le potentiel de tirage de 30% à 50%. Tous les joints du système de ventilation doivent être fixés par au moins 3 vis, et tous les joints doivent être scellés avec du mastic silicone Hi-Temp RTV pour être hermétiques. La zone où le tuyau de ventilation pénètre à l'extérieur de la maison doit être scellée avec du silicone ou d'autres moyens pour maintenir le pare-vapeur entre l'extérieur et l'intérieur de la maison. Les surfaces de ventilation peuvent devenir suffisamment chaudes pour provoquer des brûlures si elles sont touchées par des enfants. Un blindage ou des protections non combustibles peuvent être nécessaires.

**DÉGAGEMENTS DE TERMINAISON D'ÉVENT**

**TERMINAISON D'ÉVENT À GRANULÉS**  
 Ne terminez pas l'évent dans une zone fermée ou semi-fermée, telle que; abri d'auto, garage, grenier, vide sanitaire, sous une terrasse ou un porche, une allée étroite ou tout autre endroit qui peut accumuler une concentration de fumées. Une terminaison dans l'une de ces zones peut également entraîner des situations de pression imprévisibles avec l'appareil et entraîner des performances incorrectes et / ou un dysfonctionnement. La terminaison doit s'échapper au-dessus de l'élévation de l'entrée d'air extérieur. La terminaison ne doit pas être située là où elle sera obstruée par la neige ou d'autres matériaux. Ne pas terminer le conduit d'évacuation dans une cheminée en acier ou en maçonnerie existante..



- A. Dégagement minimum 4 pi. (1,22 m) sous ou à côté de toute porte ou fenêtre ouvrante.
- B. Dégagement minimum de 1 pi. (0,3 m) au-dessus de toute porte ou fenêtre ouvrante.
- C. Dégagement minimum de 3 pi. (0,91 m) de tout bâtiment adjacent.
- D. Dégagement minimum de 7 pi. (2,13 m) au-dessus de tout passage public.
- E. Dégagement minimum de 2 pi. (0,61 m) au-dessus de toute plante, herbe ou autre matériau combustible.



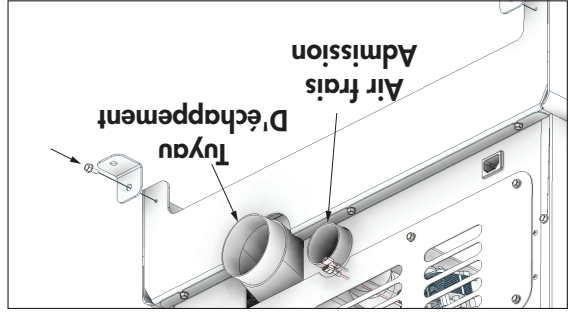
## ALIMENTATION EN AIR EXTÉRIEUR (EN OPTION, SAUF SI INSTALLÉ DANS UNE MAISON MOBILES/ BÂTIMENTS PORTATIFS)

Selon votre emplacement et la construction de votre maison, l'air extérieur peut être nécessaire pour une performance optimale. Votre poêle est homologué pour être installé avec une prise d'air extérieur (69FAK) nécessaire pour une maison mobile/ bâtiments portatifs. Vous pouvez acheter le 69FAK auprès de votre revendeur d'appareils de chauffage. Les instructions d'installation sont fournies avec le kit d'admission d'air.

**ATTENTION:**  
NE PAS VENTILER SOUS UNE PORCHE, UNE PONT, UN AUVENT OU DANS TOUTE ZONE SEMI-CLOS OU TOIT. LE FAIRE PEUT ENTRAÎNER UN FLUX D'AIR IMPRÉVISIBLE AU BOUCHON D'ÉVENT DANS CERTAINES CONDITIONS ET PEUT AFFECTER LES PERFORMANCES DE VOTRE POÊLE, AINSI QUE D'AUTRES PROBLÈMES IN PRÉVISIBLES.

## FIXATION DE L'APPAREIL AU SOL

Utilisez les trous désignés pour fixer l'unité au sol.



**AVERTISSEMENT ! - N'INSTALLEZ PAS L'APPAREIL DANS UNE CHAMBRE A COUCHER**  
**ATTENTION ! - L'INTÉGRITÉ STRUCTURELLE DU PLANCHER DE LA MAISON MOBILES/BÂTIMENTS PORTATIFS, DES MURS ET DU TOIT DOIT ÊTRE PRÉSERVÉE.**  
**EN CAS D'INSTALLATION DANS UNE MAISON MOBILES/BÂTIMENTS PORTATIFS, LE POÊLE DOIT ÊTRE MIS À LA TERRE DIRECTEMENT SUR LE CHÂSSIS D'ACIER ET BOULONNÉ AU SOL.**

En plus des exigences d'installation précédemment détaillées, les installations de maisons mobiles doivent répondre aux exigences suivantes:

- Ce poêle doit être solidement fixé au plancher de la maisons mobiles/bâtiments portatifs à l'aide de deux tire-fonds de 1/4 "qui sont assez longs pour passer à la fois par un coussin de foyer, s'il est utilisé, et le plancher de la maison.
- Le radiateur doit être mis à la terre électriquement au châssis en acier de la maisons mobiles/bâtiments portatifs avec un fil

de cuivre de 8 GA à l'aide d'une rondelle dentelée ou en étoile pour pénétrer la peinture ou le revêtement protecteur afin d'assurer la mise à la terre.

- L'évent doit être de 3 ou 4 po «PL» et doit dépasser d'au moins 36 po (914 mm) au-dessus de la ligne de toit de la maisons mobiles/bâtiments portatifs et doit être installé à l'aide d'un coupe-feu de plafond certifié et d'un chapeau de pluie.

Lors du déménagement de votre maisons mobiles/bâtiments portatifs, toute ventilation extérieure doit être enlevée pendant le déplacement de la maisons mobiles/bâtiments portatifs. Après le déplacement, tous les événements doivent être réinstallés et solidement fixés.

- L'air extérieur est obligatoire pour l'installation d'une maisons mobiles/bâtiments portatifs. Consultez la section Alimentation en air extérieur et votre revendeur pour l'achat.
- Vérifiez auprès de vos responsables locaux du bâtiment car d'autres codes peuvent s'appliquer.

## EXIGENCES POUR L'ÉVACUATION

### AVERTISSEMENT:

- INSTALLEZ L'ÉVACUATION DES FUMÉES EN RESPECTANT LES DÉGAGEMENTS SPÉCIFIÉS PAR LE FABRICANT D'ÉVACUATIONS.
- NE RELIEZ PAS L'ÉVACUATION POUR POÊLE À GRANULÉS À UNE ÉVACUATION UTILISÉE POUR UN AUTRE APPAREIL OU UN AUTRE POÊLE.
- N'INSTALLEZ PAS DE REGISTRE DE TIRAGE SUR LE SYSTÈME D'ÉVACUATION DE CET APPAREIL.

Les directives d'installation ci-dessous doivent être respectées pour garantir la conformité tant avec la liste de sécurité de ce poêle qu'avec les codes de construction locaux. Ne pas recourir à des méthodes de fortune ou à des compromis lors de l'installation.

### IMPORTANT:

**CET APPAREIL EST ÉQUIPÉ D'UN SYSTÈME À TIRAGE NÉGATIF QUI ASPIRE L'AIR À TRAVERS LE POT DE COMBUSTION ET Pousse L'ÉCHAPPEMENT HORS DU LOGEMENT. SI CET APPAREIL EST CONNECTÉ À UN SYSTÈME DE CHEMINÉE AUTRE QUE CELUI DÉCRIT DANS CE MANUEL, IL NE FONCTIONNERA PAS CORRECTEMENT.**

## DISTANCE D'ÉVACUATION MAXIMALE

L'installation DOT comporter au moins 3 pi (91 cm) de conduit vertical hors de la maison. Ceci crée un appel d'air naturel qui limite le risque de fumée ou d'odeur lors de l'arrêt de l'appareil et évite que l'évacuation ne provoque des nuisances et un danger en exposant les personnes ou les cuissons à des températures élevées. La hauteur verticale maximale recommandée pour l'évacuation des fumées est de 12 pi (3,66 m) pour une évacuation de type « PL » de 3 po (76 mm). La longueur totale de l'évacuation horizontale NE DOIT PAS dépasser 4 pi (1,22

## OPTIONS D'INSTALLATION

**Unité autoportante** - supportée par un piédestal / pieds et placée sur une surface de plancher incombustible conformément aux exigences de dégagement pour une installation de poêle autoportante.

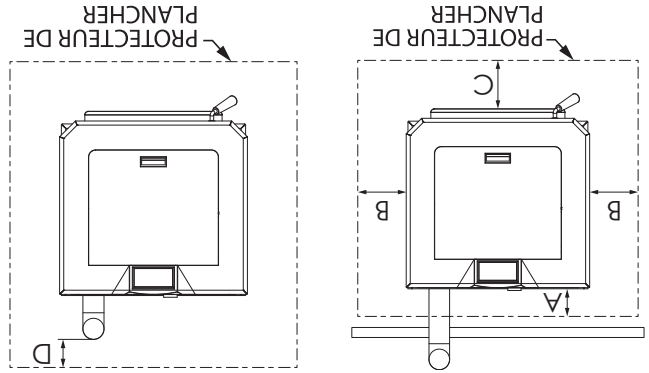
**Unité d'alcôve** - supportée par un piédestal / des pieds et placée sur une surface de plancher incombustible conformément aux exigences de dégagement pour une installation en alcôve.

## INSTALLATION INCORRECTE

L'utilisation d'autres composants autres que ceux indiqués dans le présent document pourrait causer des blessures corporelles, des dommages au radiateur et annuler votre garantie. Le fabricant ne sera pas tenu responsable des dommages causés par le dysfonctionnement d'un poêle en raison d'une ventilation ou d'une installation incorrecte.

## PROTECTION DU SOL

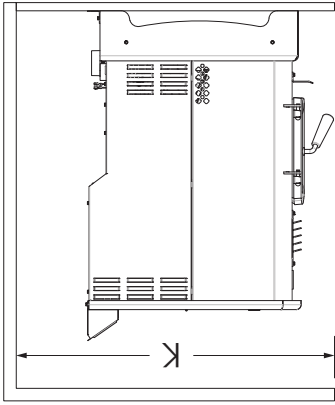
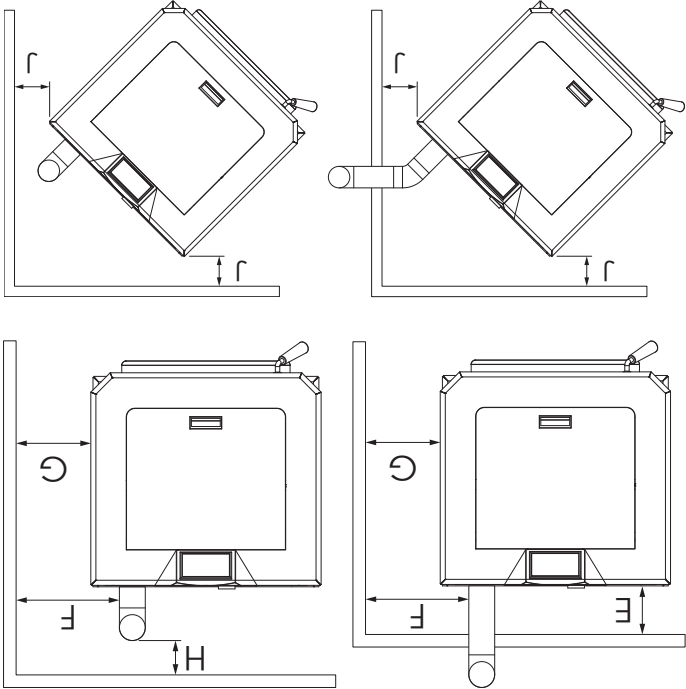
Cet appareil doit être installé sur une surface de plancher incombustible. Si un coussin de sol est utilisé, il doit être certifié ou équivalent. Le plancher ou la surface incombustible doit être suffisamment grand pour s'étendre sur au moins 6 po (153 mm) à l'avant, 6 po (153 mm) de chaque côté et 1 po (26 mm) derrière le poêle. La protection du plancher doit s'étendre sous et 2 po (51 mm) de chaque côté du té de cheminée pour une installation verticale intérieure. Un protecteur de plancher de 1 po (26 mm) d'épaisseur est recommandé pour cette installation. Les installations canadiennes nécessitent 18 po (450 mm) devant l'unité.



Dimensions			
	po	mm	
A	1	25	Arrière (à travers le mur)
B	6	152	Côté
C	6	152	De face
D	2	50	Arrière (intérieur vertical)

## DÉGAGEMENTS

Votre poêle à granules a été testé et répertorié pour une installation dans une maison résidentielle et mobile conformément aux dégagements indiqués ci-dessous. Pour des raisons de sécurité, veuillez respecter les dégagements et restrictions d'installation. Toute réduction du jeu aux combustibles ne peut être effectuée que par des moyens approuvés par une autorité réglementaire.



PARALLÈLE			
E	9,5	241	Mur arrière à l'unité
F	13	330	Paroi latérale au carneau
G	8	203	Paroi latérale au bord supérieur de l'unité
H	3	76,2	Backwall à flue
J	8	203	Mur adjacent à l'unité
K			Profondeur de l'alcôve
	po	mm	



US Stove recommande fortement que votre poêle soit installé par un technicien qualifié NFI (US) ou WETT (Canada). Pour trouver l'installateur qualifié le plus proche, accédez à :

<https://nfi-certified.org>;

<https://www.wettinc.ca/>

**NATIONAL FIREPLACE INSTITUTE**  
à bois soient installés et entretenus par des professionnels certifiés aux États-Unis par le National Fireplace Institute (NFI) en tant que spécialiste du chauffage au bois NFI ou certifiés au Canada par le programme de formation technique en énergie du bois (WETT).

**CERTIFIÉ** [www.nficertified.org](http://www.nficertified.org)

- L'UTILISATION D'AIR EXTÉRIEUR N'EST PAS NÉCESSAIRE POUR CET APPAREIL.
- NE DÉBRANCHEZ PAS LE POÊLE SI VOUS SOUÇONNEZ UN DYSFONCTIONNEMENT. PLACEZ LE CONTACTEUR ON/OFF SUR « OFF » PUIS PRENEZ CONTACT AVEC LE CONCESSIONNAIRE.
- LE POÊLE NE FONCTIONNE PAS PENDANT LES COUPURES DE COURANT. EN CAS DE PANNE DE COURANT, VEILLEZ AUX ÉMANATIONS DE FUMÉE DU POÊLE ET OUVEREZ UNE FENÊTRE SI LA FUMÉE SE RÉPAND DANS LA PIÈCE.
- N'OBSTRUEZ JAMAIS LA CIRCULATION DE L'AIR DES GRILLES D'AÉRATION OUVERTES DE L'APPAREIL.

**ATTENTION:**

- UN DÉTECTEUR DE FUMÉE FONCTIONNEL DOIT ÊTRE INSTALLÉ DANS LA PIÈCE OÙ SE TROUVE LE POÊLE.
- INSTALLEZ UN DÉTECTEUR DE FUMÉE À CHAQUE ÉTAGE DE VOTRE MAISON; EN CAS D'INCENDIE ACCIDENTEL DÙ À N'IMPORTE QUELLE CAUSE, CE DISPOSITIF PEUT LAISSER LE TEMPS DE S'ÉCHAPPER.
- LE DÉTECTEUR DE FUMÉE DOIT ÊTRE INSTALLÉ À AU MOINS 15 PIEDS (4,57 M) DE L'APPAREIL AFIN D'ÉVITER QU'IL NE SE DÉCLENCHE INUTILEMENT LORS DU RECHARGEMENT DU POÊLE.

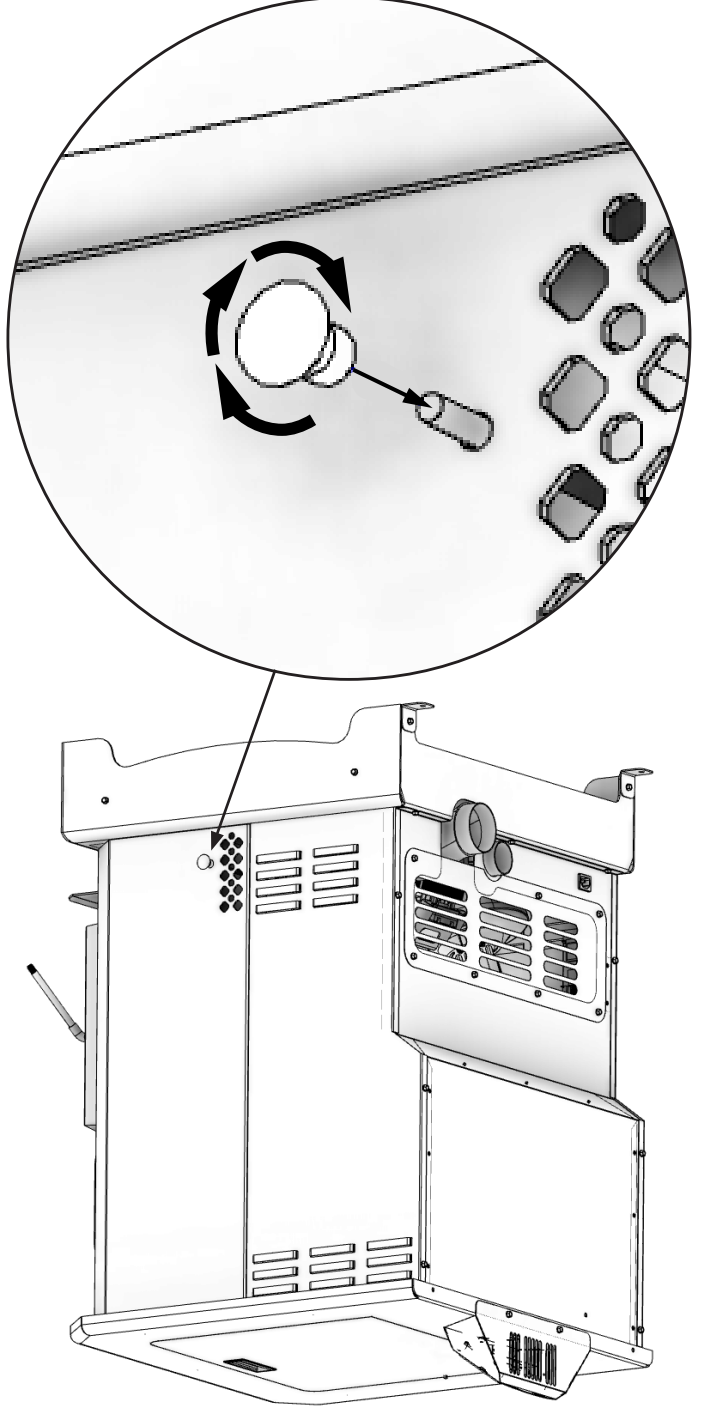
**ATTENTION:**

**ATTENTION:**  
ATTENTION: LA COMBUSTION DU COMBUSTIBLE GÈNÈRE DU MONOXYDE DE CARBONE QUI PEUT S'AVÉRER DANGEREUX POUR LA SANTÉ EN L'ABSENCE D'UNE VENTILATION APPROPRIÉE.

- AVIS DE SÉCURITÉ**
- SI CE POÊLE N'EST PAS INSTALLÉ CORRECTEMENT, UN INCENDIE PEUT EN RÉSULTER. POUR RÉDUIRE LES RISQUES D'INCENDIE, SUIVEZ LES INSTRUCTIONS D'INSTALLATION.
  - ADRESSEZ-VOUS AUX AUTORITÉS LOCALES DE L'URBANISME POUR OBTENIR UN PERMIS ET DES RENSEIGNEMENTS SUR TOUTE AUTRE RESTRICTION À L'INSTALLATION ET SUR LES EXIGENCES D'INSPECTION DANS VOTRE RÉGION.
  - NE PLACEZ AUCUN VÊTEMENT OU AUTRE OBJET INFLAMMABLE SUR OU PRÈS DU POÊLE.
  - N'UTILISEZ JAMAIS D'ESSENCE, DE COMBUSTIBLE À LANTERNE DE TYPE ESSENCE, DE KÉROSÈNE, D'ESSENCE D'ALLUME-FEU OU D'AUTRES LIQUIDES SIMILAIRES POUR ALLUMER OU RAVIVER LE FEU DANS CE POÊLE. GARDEZ TOUS CES LIQUIDES ÉLOIGNÉS DU POÊLE LORSQU'IL EST EN MARCHÉ.
  - CET APPAREIL EST UN APPAREIL DE CHAUFFAGE AUTONOME. IL N'EST PAS CONÇU POUR ÊTRE RELIÉ À DES CONDUITS DE DISTRIBUTION D'AIR. CE N'EST PAS UN FOURNEAU.
  - INSTALLER L'ÉVENT AUX DÉGAGEMENTS SPÉCIFIÉS PAR LE FABRICANT DE L'ÉVENT.
  - N'INSTALLEZ PAS DE REGISTRE DE TIRAGE SUR LE SYSTÈME D'ÉVACUATION DE CET APPAREIL.
  - CE POÊLE DOIT ÊTRE RÉGULIÈREMENT ENTRETENU ET NETTOYÉ (VOIR LA SECTION « ENTRETIEN »). LE DÉFAUT D'ENTRETIEN DU POÊLE PEUT ENTRAÎNER UN FONCTIONNEMENT INAPPROPRIÉ ET DANGEREUX.
  - UN DISJONCTEUR DOIT ÊTRE INSTALLÉ. CET APPAREIL DOIT ÊTRE BRANCHÉ SUR UNE PRISE MURALE AVEC TERRE DE 110-120 V, 60 Z. N'UTILISEZ PAS D'ADAPTATEUR DE PRISE ET NE COUPEZ PAS LA FICHE DE TERRE. N'ACHEMINÉZ PAS LE CORDON ÉLECTRIQUE SOUS, DEVANT OU SUR LE POÊLE. NE FAITES PAS COURIR LE CORDON ÉLECTRIQUE DANS LES ZONES DE PASSAGE ET NE LE COINCEZ PAS SOUS LES MEUBLES.

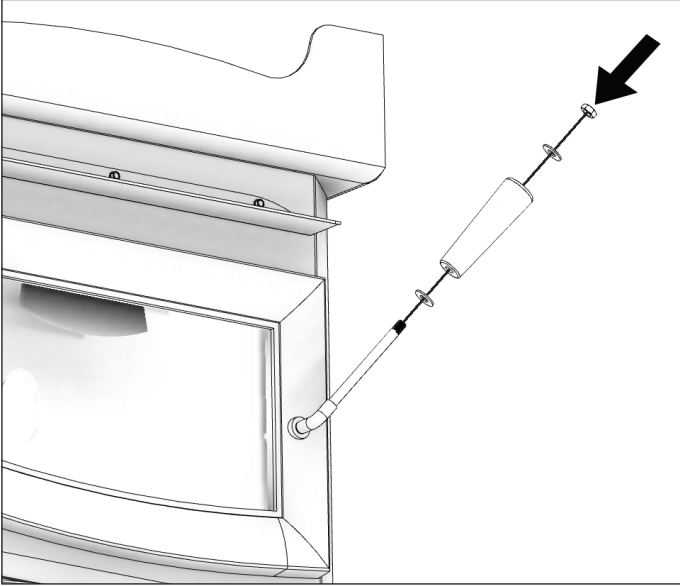
## INSTALLATION DE LA POIGNÉE DU REGISTRE

Tournez le bouton du registre dans le sens des aiguilles d'une montre sur la tige du registre.



## INSTALLATION DE LA POIGNÉE DE PORTE

1. Faites glisser l'une des rondelles fournies sur la tige de la poignée de porte.
2. Faites ensuite glisser la poignée en bois sur la tige de la poignée de porte.
3. Faites glisser l'autre rondelle fournie sur la tige de la poignée de porte.
4. Vissez l'écrou fourni sur l'extrémité de la tige de la poignée de porte pour maintenir le tout en place.





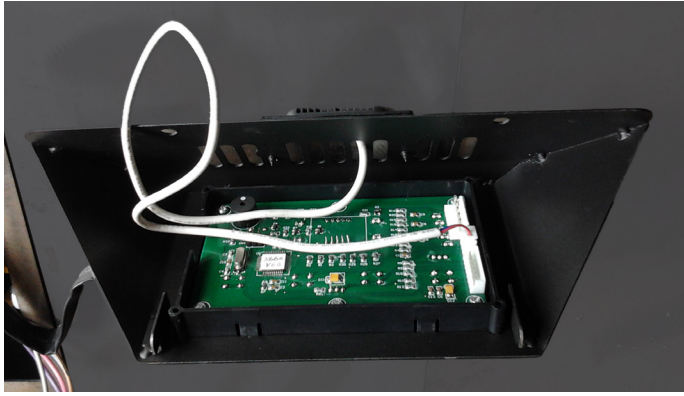
**POUR LE SERVICE À LA CLIENTÈLE, APPELEZ : 800-750-2723 EXT 5050**

## INSTALLATION DU SUPPORT DE COMMANDE SUPÉRIEUR

1. Tirer les fils installés en usine sur le dessus du poêle. Il y aura deux faisceaux de câbles, comme illustré.



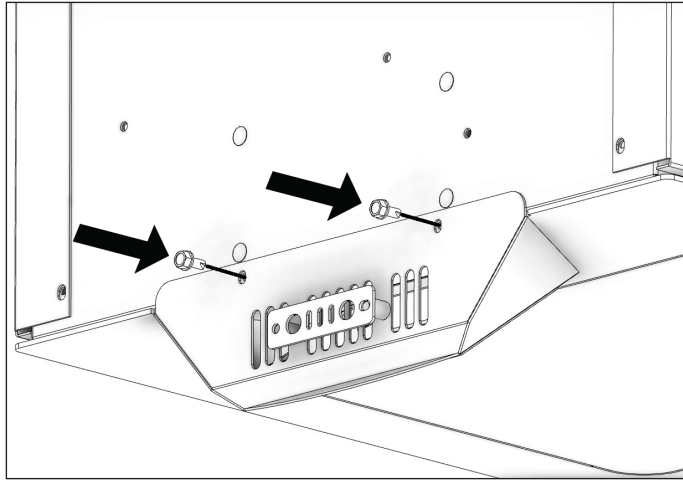
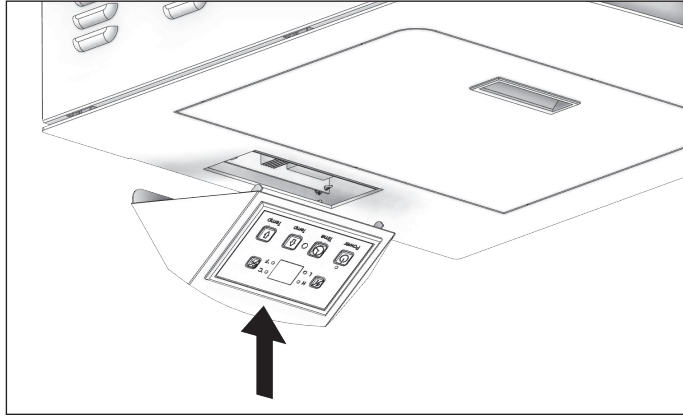
2. Déballer les meilleurs contrôles de montage et de veiller à ce que le faisceau de câblage illustré est fixé.



3. Connecter les installés en usine faisceaux de câblage sur le panneau de commande comme indiqué.



4. Fixez le panneau de commande au dessus du poêle, comme indiqué. Fixer avec deux vis à tête.



# LISTE DE CONTRÔLE D'INSTALLATION



Votre poêle à bois ne doit être installé que par un installateur qualifié NFI est disponible à l'adresse [www.nficertified.org/public/find-an-nfi-pro/](http://www.nficertified.org/public/find-an-nfi-pro/)

## SERVICE CLIENTS

1-800-750-2723 poste 5050

Texte au 423-301-5624

E-mail à: [customerservice@usstove.com](mailto:customerservice@usstove.com)

## LISTE DE CONTRÔLE DE MISE EN SERVICE

Cette liste de contrôle doit être remplie intégralement par la personne qualifiée qui installe cet appareil. Conservez cette page pour référence future.

Le fait de ne pas installer et mettre en service selon les instructions du fabricant et de remplir cette liste de contrôle annulera la garantie.

S'il te plaît imprime

Nom du client:		Numéro de téléphone:	
Adresse:			
Modèle:			
Numéro de série:			
Nom de la société d'installation:		Numéro de téléphone:	
Nom du technicien d'installation:		Numéro de licence:	

## DESCRIPTION DU TRAVAIL

Emplacement de l'appareil installé: \_\_\_\_\_

Système de ventilation: nouveau système de ventilation  Oui  Non Si oui, marque \_\_\_\_\_

Si non, date d'inspection du système de ventilation existant: \_\_\_\_\_

## MISE EN SERVICE

Confirmer l'installation du tapis de foyer conformément aux instructions d'installation

Confirmer le bon placement des pièces internes

Vérifier la solidité du joint de porte et des joints de porte

Confirmer les dégagements aux combustibles selon les instructions d'installation de ce manuel

Vérifier le fonctionnement des commandes pneumatiques

Confirmez que le système de ventilation est sécurisé et scellé

Confirmer que le poêle démarre et fonctionne correctement

Assurez-vous qu'un avertisseur de CO est installé conformément aux codes du bâtiment locaux et qu'il est fonctionnel

Expliquer le fonctionnement en toute sécurité, l'utilisation appropriée du carburant, le nettoyage et les exigences d'entretien de routine

Déclaration d'achèvement: En tant que personne qualifiée responsable des travaux décrits ci-dessus, je confirme que l'appareil en tant que travail associé a été installé selon les instructions du fabricant et en suivant les codes de construction et d'installation applicables.

appliquables.

Signé: \_\_\_\_\_

Nom en lettres moulées: \_\_\_\_\_

Date: \_\_\_\_\_

Propriétaire du domicile: **CONSERVEZ CETTE INFORMATION POUR RÉFÉRENCE FUTURE**



# INTRODUCTION

Votre poêle à granulés a été testé pour la sécurité et homologué selon ASTM E1509-12 (2017) et CAN/U/LC S627:2023. Ce manuel décrit l'installation et le fonctionnement du poêle à granulés King KP5522. Cet appareil de chauffage respecte les limites d'émission de l'Agence américaine de protection de l'environnement 2020 pour les appareils de chauffage au bois vendus après le 15 mai 2020. Dans des conditions de test spécifiques de l'EPA brûlant des granulés de bois, il a été démontré que cet appareil de chauffage fournit de la chaleur à un taux de 13 640 à 32 591 Btu/h. Cet appareil de chauffage a atteint un taux d'émission de particules de 1,5 g/h lorsqu'il a été testé selon la méthode ASTM E 2779 / EPA Method 28R et une efficacité de 76 %.

Spécifications De Chauffage	
Brûler le combustible de tarif *	2,1 à 5 lb/h (0,97 à 2,26 kg/h)
Temps de combustion (réglage le plus bas)	80 hrs.
Capacité de la trémie	170lbs. (77kg)
Spécifications Electriques	
Note électrique	110-120 volts, 60 HZ, 30 Amps
Watts (opérationnel)	175 (approx.)
Watts (allumeur en marche)	425 (approx.)
Dimensions	
Hauteur X Largeur X Profondeur	40 po (1003 mm) X 24 po (610 mm) X 30 po (762 mm)

## AVERTISSEMENT:

**IL EST CONTRAIRE À LA RÉGLEMENTATION FÉDÉRALE D'UTILISER CE POÊLE À BOIS D'UNE MANIÈRE INCOMPATIBLE AVEC LES INSTRUCTIONS D'UTILISATION DU MANUEL DU PROPRIÉTAIRE.**



**Remarque:** enregistrez votre produit en ligne sur [www.usstove.com](http://www.usstove.com) ou téléchargez l'application gratuite dès aujourd'hui. Cette application est disponible uniquement sur l'App Store pour iPhone et iPad. Recherchez US Stove. Conservez votre reçu avec vos dossiers pour toute réclamation.

**Pour le service client, veuillez appeler: 1-800-750-2723 poste 5050 ou; Texte au 423-301-5624 ou; Écrivez-nous à: [customerservice@usstove.com](mailto:customerservice@usstove.com)**

# Manuel d'instructions et d'utilisation du propriétaire



Numéro De Modèle:

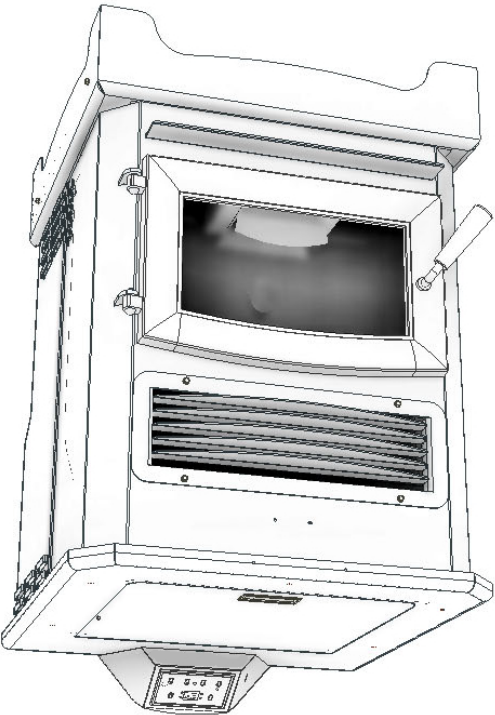
**KP5522**

**PFS**  
c us

Signaler Le Numéro: F22-782

Certifié selon la norme ASTM E1509-2022 et  
Certifié CAN/ULC S627:2023  
Maisons mobiles/bâtiments portatifs approuvé

\* Toutes les images de ce manuel sont à des fins d'illustration uniquement. Le produit réel peut varier.



Conservez ces instructions dans un endroit sûr pour référence ultérieure.



**AVIS DE SÉCURITÉ:** Si ce radiateur n'est pas correctement installé, un incendie peut en résulter. Pour votre sécurité, suivez les instructions d'installation. N'utilisez jamais de compromis de fortune lors de l'installation de ce radiateur. Contactez les responsables locaux du bâtiment ou des pompiers pour connaître les permis, les restrictions et les exigences d'installation dans votre région. **NE JAMAIS UTILISER CE PRODUIT SANS SURVEILLANCE.**



**MISE EN GARDE!** Veuillez lire l'intégralité de ce manuel avant d'installer ou d'utiliser votre nouveau radiateur. Le non-respect des instructions peut entraîner des dommages matériels, des blessures corporelles ou même la mort. Une installation incorrecte pourrait annuler votre garantie!

**AGENCE AMÉRICAINE DE PROTECTION  
DE L'ENVIRONNEMENT**  
Certifié conforme aux normes d'émissions  
de particules 2020.

**AVERTISSEMENT SUR LA PROPOSITION 65 DE LA  
CALIFORNIE:**  
Ce produit peut vous exposer à des produits chimiques, y compris  
le monoxyde de carbone, qui est connu dans l'État de Californie  
pour provoquer le cancer, des anomalies congénitales et / ou  
d'autres troubles de la reproduction. Pour plus d'informations,  
visitez [www.P65warnings.ca.gov](http://www.P65warnings.ca.gov)

CE MANUEL EST SUJET À MODIFICATION SANS PRÉAVIS.