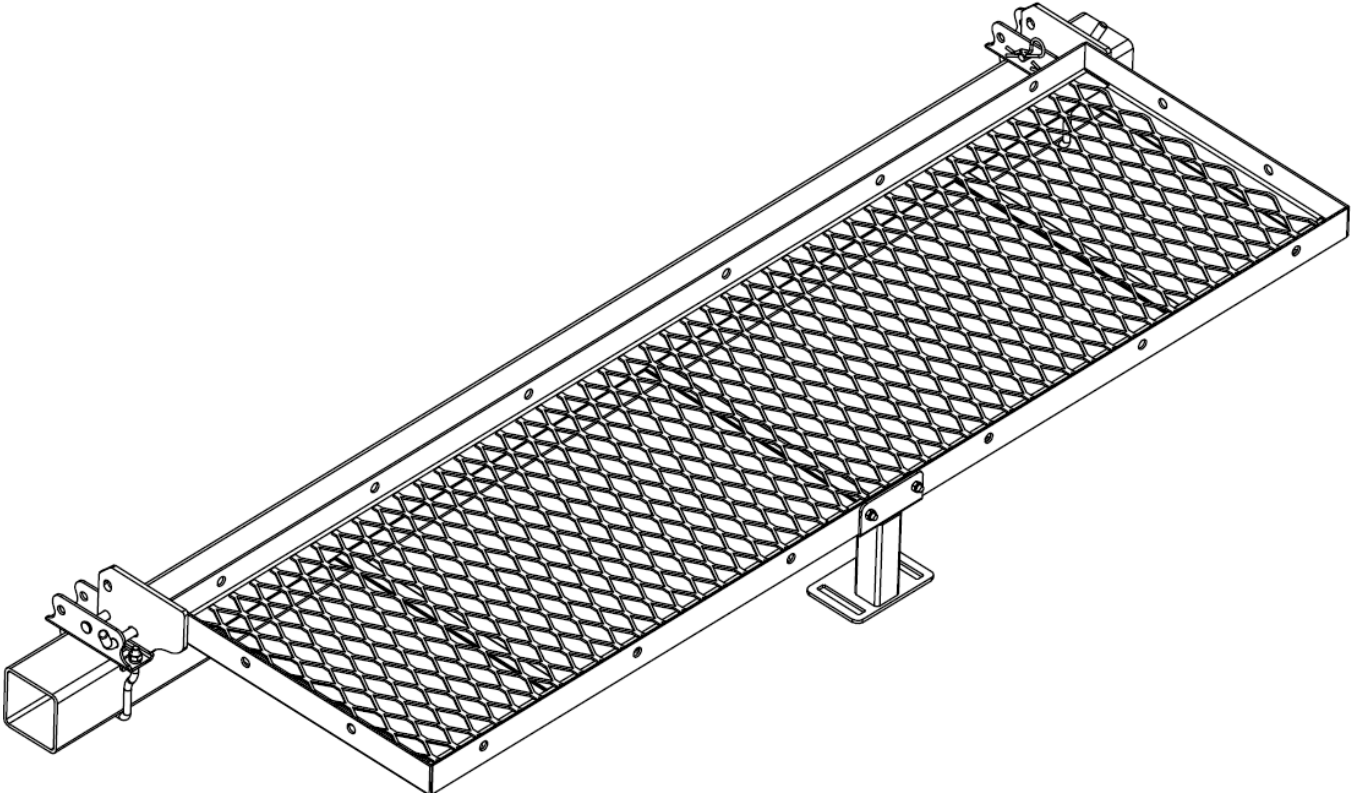


# TruxMate

## RV Storage Rack

### Instructions for Part #10104097



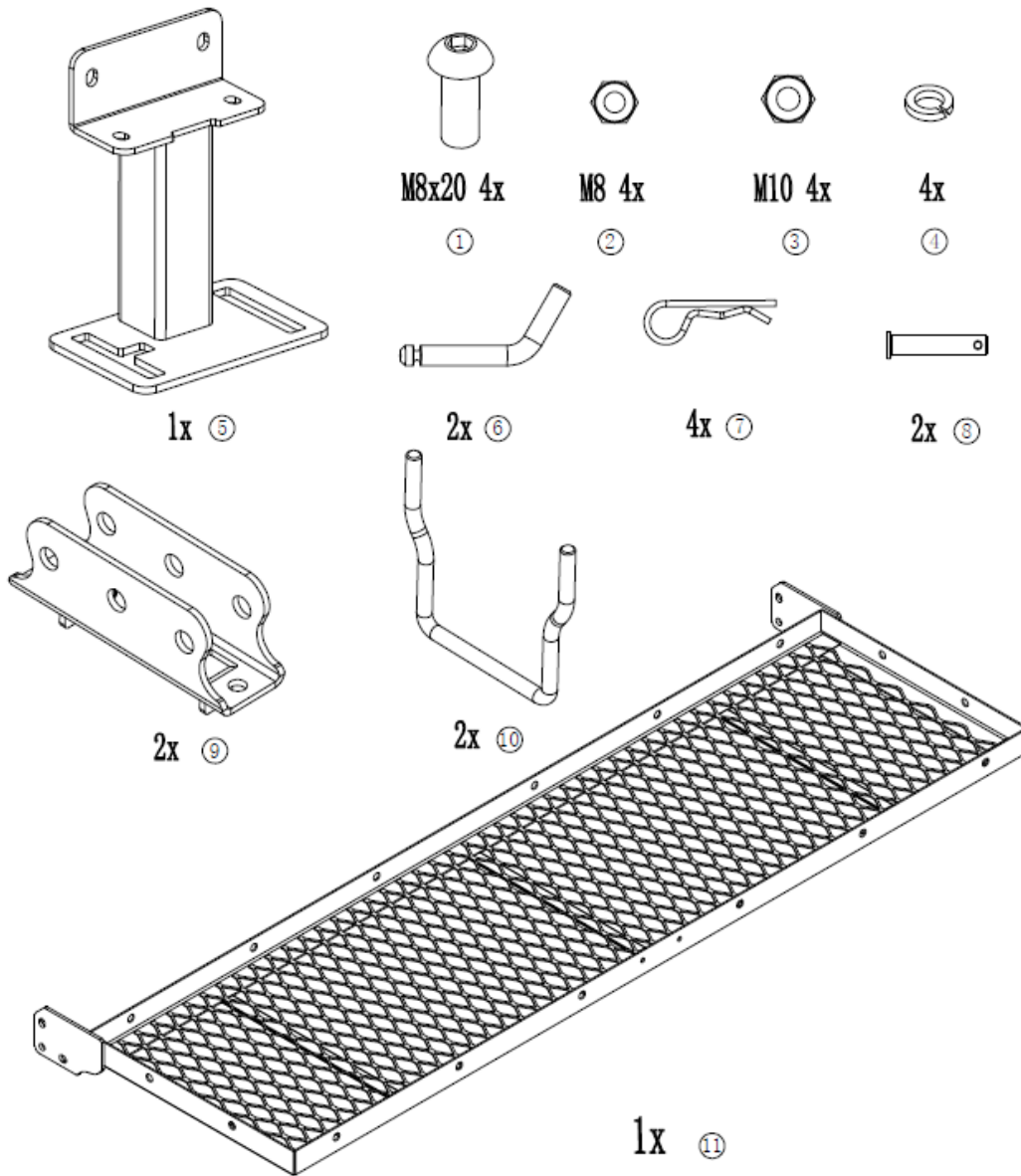
## General Guidelines

- It is the user's responsibility to read and follow all instructions.
- Keep these instructions with the product at all times and review before each use.
- It is the responsibility of this product's owner to furnish the instructions to any person that borrows or purchases the product.
- Inspect the product before use to ensure it is assembled properly and all parts are in safe working order and free of defects.
- Never modify this product in any way.
- All circumstances cannot be addressed in these instructions. Please use common sense and practice general safety measures when using this product.
- Parts and/or instructions are subject to change without notice.

## Technical Specifications

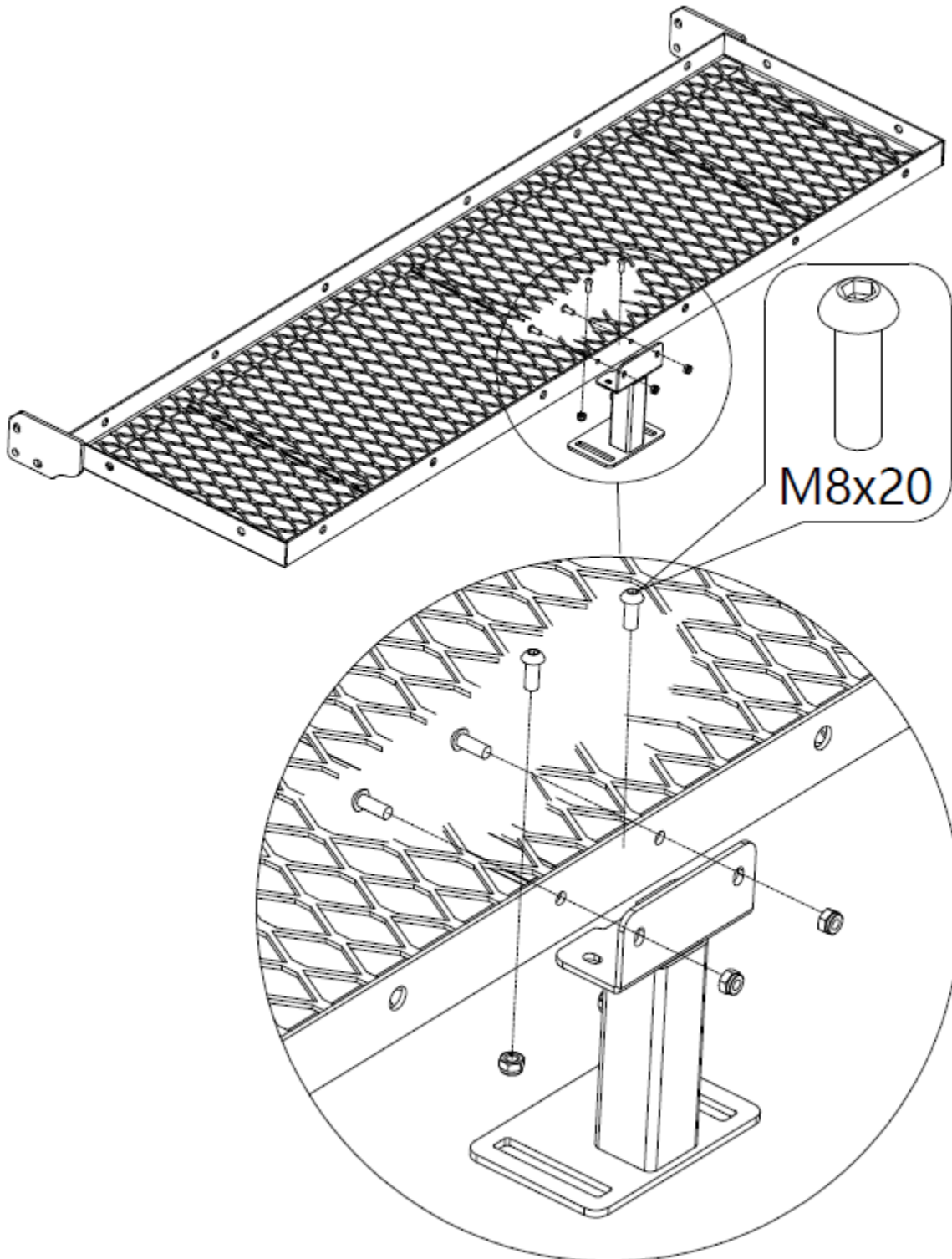
Property	Specification
Length	71"
Width	25"
Height	8"
Maximum Weight Capacity	200LBS

## Diagram & Parts



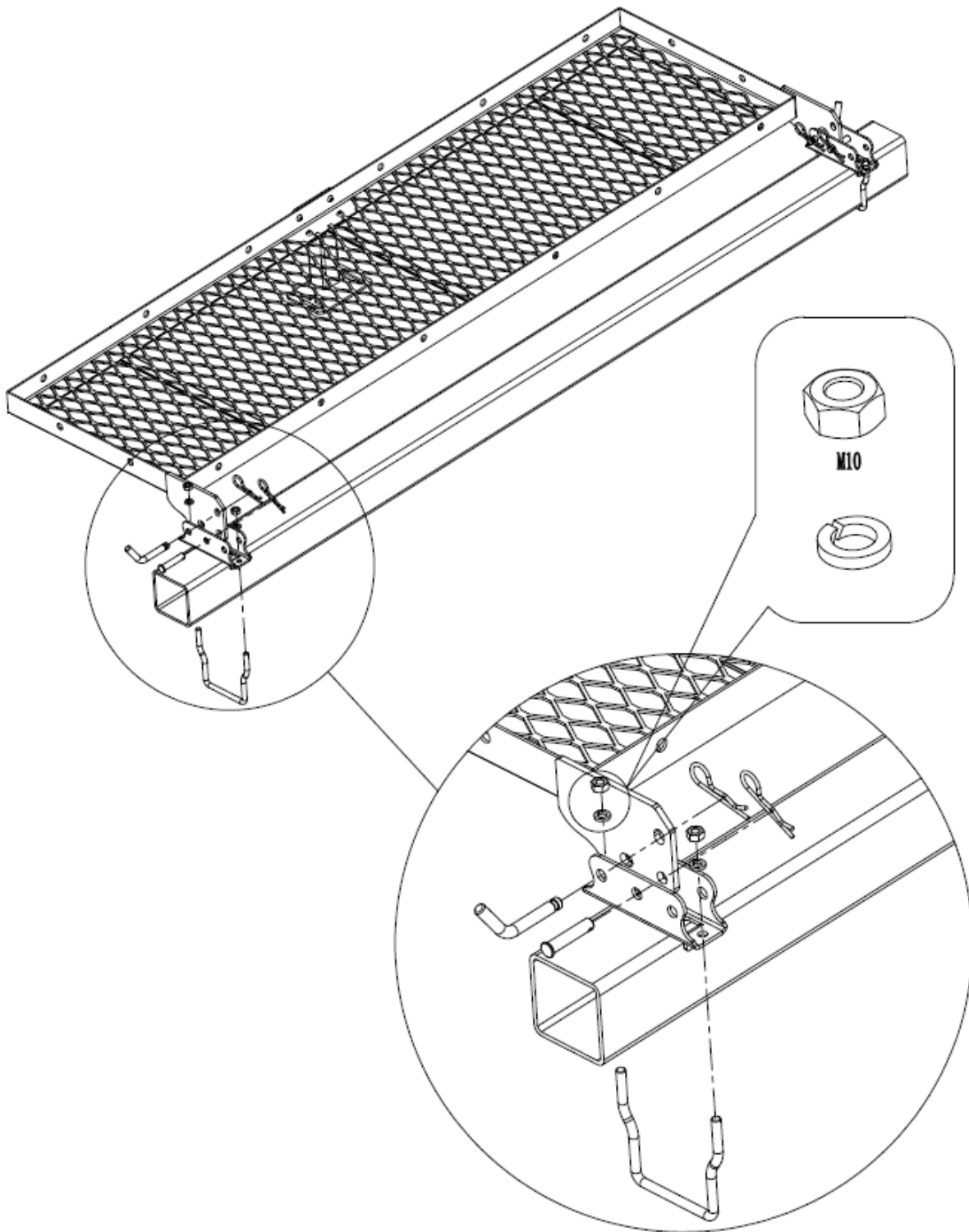
## Assembly

**Step1:** Install the tire assembly (#5) on the storage rack (#11) with M8\*20 Hexagon head screw (#1) and M8 lock nut (#2).



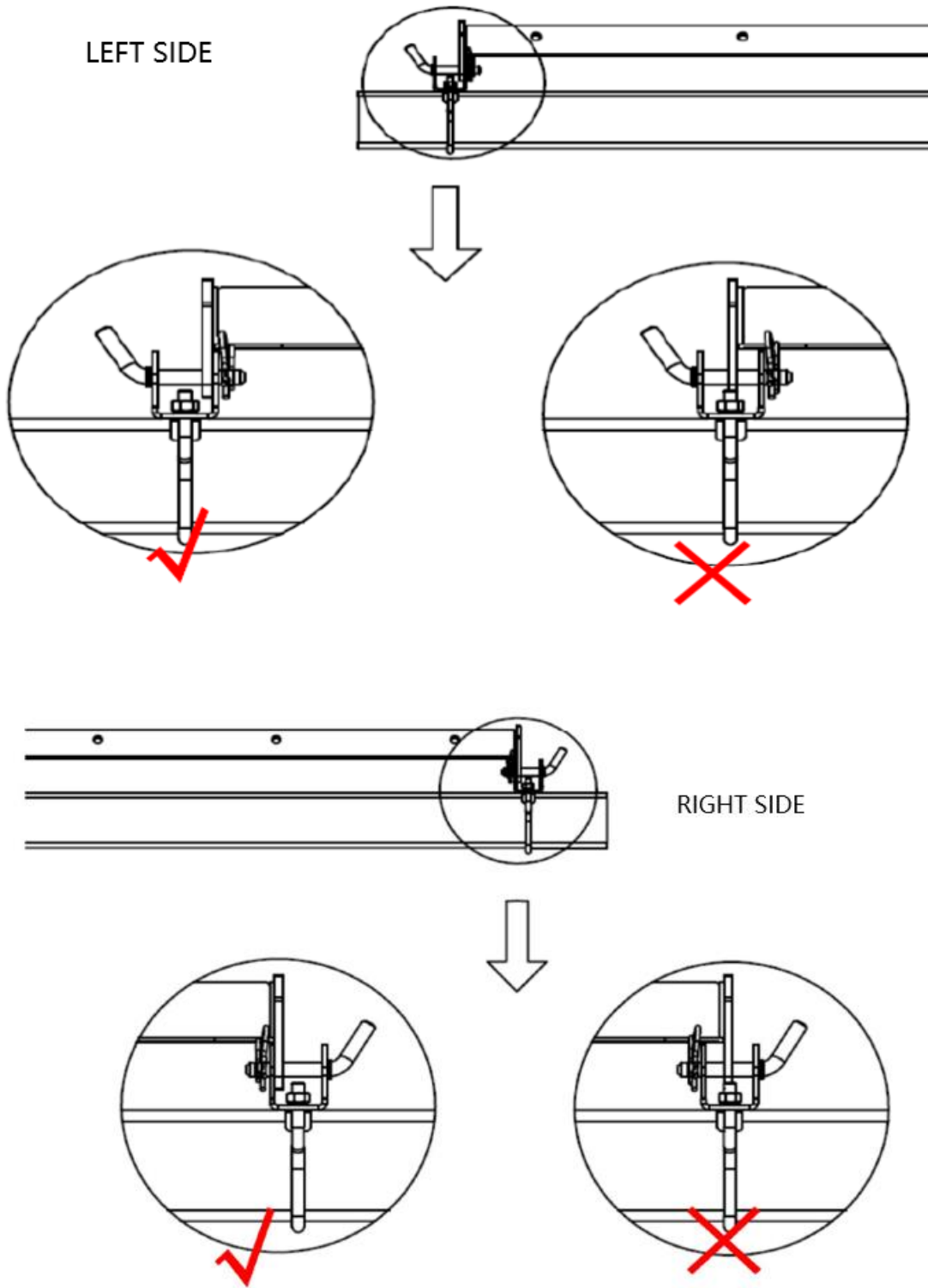
**Step 2:** Install the U-bolt (#10), U-plate (#9), M10 nut (#3) and spring washer (#4) to the rear of the RV.

Install the storage rack (#11) on the U-plate (#9), and insert the pin (#6) and pin (#8), and locking pin (#7).



**Note:**

When U-shaped plate (#9) is installed on the left side of the storage rack, it should be as shown in the below figure and be flat with the right inner wall of U-shaped plate (#9). And install the right side in the same way.



## Replacement Parts

- For replacement parts and technical questions, please contact Customer Service at **1-888-380-7428**.
- Not all product components are available for replacement. The illustrations provided are a convenient reference to the location and position of parts in the assembly sequence.
- When ordering parts, the following information will be required: item description, item model number, item serial number/item lot date code and the replacement part number.
- The manufacturer reserves the rights to make design changes and improvements to product lines and manuals without notice.

## Limited 1 year Warranty

We make every effort to assure that this product meets high quality and durability standards, and warrants to the original purchaser that this product is free from defects in materials and workmanship for the period of one years from the date of manufacture, provided that installation and use of the product is in accordance with product instructions.

This warranty does not apply to damage due directly or indirectly, to misuse, abuse, negligence or accidents, repairs or alterations outside our facilities, criminal activity, improper installation, normal wear and tear, or to lack of maintenance. We shall in no event be liable for death, injuries to persons or property, or for incidental, contingent, special or consequential damages arising from the use of our product. Some states do not allow the exclusion or limitation of incidental or consequential damages, so the above limitation of exclusion may not apply to you. THIS WARRANTY IS EXPRESSLY IN LIEU OF ALL OTHER WARRANTIES, EXPRESS OR IMPLIED, INCLUDING THE WARRANTIES OF MERCHANTABILITY AND FITNESS.