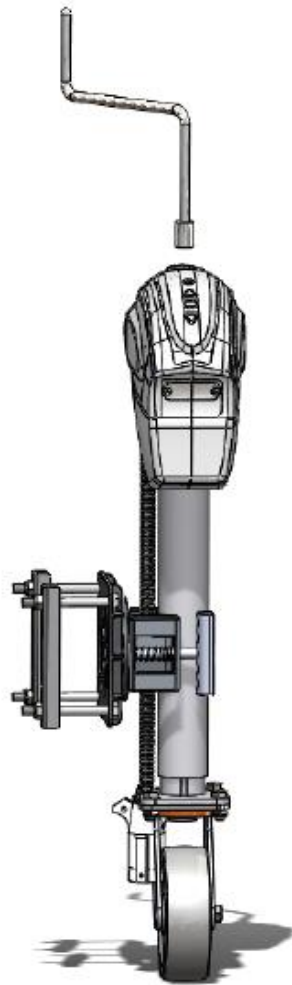


---

# TruxMate

## **ELECTRIC MARINE SWIVEL JACK** **With Touch Panel & 7-Way Connector** **1500 lbs. Capacity**



### **⚠ WARNING**

Read carefully and understand all **ASSEMBLY AND OPERATION INSTRUCTIONS** before operating. Failure to follow the safety rules and other basic safety precautions may result in serious personal injury.

**SAVE THESE INSTRUCTIONS**

**Item# 10201104P**

## INTENDED USE

This Electric Marine Swivel Jack attaches to the side of straight trailer tongue of a boat, power sport or equipment trailer. The swivel trailer jack allows the user to move level and hitch the trailer with ease. It swivels to a horizontal position during transportation.

The 7-way connector plugs into your vehicle connector to let you lift or lower the jack with the push of a button, no hard wiring required.

Your jack is equipped with a new one-piece Industrial design cover increasing waterproof coverage. Improved LEDs lights illuminate area in front of jack for superior nighttime visibility.

## TECHNICAL SPECIFICATIONS

Property	Specification
Item Number	10201104P
Type	12V DC
Loading Capacity (lbs.)	1,500
Support Capacity (lbs.)	2,250
Clearance: Bracket to Jack Top (in.)	16.8
Length of Travel (in.)	14
Length Retracted (in.)	14.2 (Measured from ground to center of mounting point)
Length Extended (in.)	28.2 (Measured from ground to center of mounting point)
Jack Tube Size (in.)	2.2
Crank Type	Includes manual crank handle
Ground Support	Omni-directional wheel
Mount Type	Swivel mounting plate
Construction	Aluminum

### Tools and Components Required

- Two Plates (included)
- Four M10 Lock nut (included)
- Four M10 x 100 Hex bolts (included)
- 9/16in. Wrench (owner supplied, not included)
- Torque Wrench (owner supplied, not included)
- Wire Cutters (owner supplied, not included)
- Wire Strippers (owner supplied, not included)
- Crimpers or Soldering Iron (owner supplied, not included)

## GENERAL SAFETY RULES

### WARNING

- **Read and understand all instructions.** Failure to follow all instructions listed below may result in serious injury.
- **The warnings, cautions, and instructions discussed in this instruction manual cannot cover all possible conditions or situations that could occur.** It must be understood by the operator that common sense and caution are factors which cannot be built into this product, but must be supplied by the operator.

### CAUTION

- **Do not allow persons to operate or assemble this electric jack until they have read this manual and have developed a thorough understanding of how the electric jack works.**

## JACK USE AND CARE

- **Do not modify the jack in any way.** Unauthorized modification may impair the function and/or safety and could affect the life of the equipment. There are specific applications for which the jack was designed.
- **Always check for damaged or worn-out parts before using the jack.** Broken parts will affect the jack operation. Replace or repair damaged or worn parts immediately.
- **Store idle jack.** When jack is not in use, store it in a secure place out of the reach of children. Inspect it for good working condition prior to storage and before re-use.
- **Disconnect the battery from the trailer jack if it does not require power for several days.** This will prevent the battery from discharging.
- **Do not force the trailer jack.** Do not attempt to lift more than the maximum lifting capacity of 1500 pounds.
- This electric trailer jack has been designed to attach to the side of a straight tongue trailer.
- **Never attempt to adjust the universal wheel (#25) when there is any load on the jack.** Make certain the universal wheel and inner tube are securely connected before using the jack.

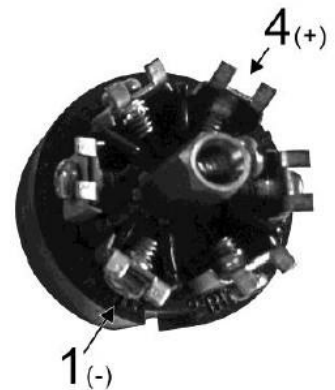
## INSTALLATION INSTRUCTIONS

Before installation, compare the lift capacity of the electrical jack with your trailer to ensure safe operation of the jack.

1. Park the trailer on a level surface, block the tires of the trailer and support trailer tongue.
2. This marine electric trailer jack has been designed to attach to the side of a straight tongue trailer.
3. Do not connect this marine jack to the trailer battery before install the jack.
4. Place the trailer jack against the tongue and position the mounting bracket (#19) on the opposite side of the tongue.
5. Align the holes in the mounting bracket (#19) with holes in the plate (#23).
6. Insert the 4 bolts (#21) through the mounting bracket (#19) and plate (#23). Push bolts through the top and bottom bolt holes on the right side.
7. Slide a mounting plate over both bolt ends on the right side. Secure with locknuts, torque to 25 ft. lbs.
8. Repeat with a mounting plate on the left side.
9. Adjust the jack's position if necessary. The mounting bracket should be square with the trailer tongue.
10. Tighten each nut evenly to secure the trailer jack in place.
11. Connect the jack to the vehicle. Wire lead from the jack directly to the positive (+) terminal of the battery. **This unit has a built-in circuit breaker which automatically trips and resets. Reconnect the battery ground cable. This jack includes a 7-way connector. Insert the 7-way connector into the 7-way receiver on the towing vehicle.**
12. Check for proper installation, by pressing the motor switch UP for extending the jack and DOWN for retracting the jack. Also check that the light switch turns on the LED light.

✧ **Tip:** The trailer connector on the vehicle must match the trailer connector on the jack to power it.

Test that the correct terminal is receiving power with a test light. Number 4 on the connector will receive power. Connector number 1 is the neutral ground. Consult a qualified technician on replacing the connector if there is a mismatch between the vehicle and jack connectors.



## OPERATION

1. Park the trailer on a level surface and block the wheels.  
✧ **Tip:** For nighttime hookups, turn the light switch **ON** to illuminate your work area.
2. Twist the swivel trailer jack until it is vertical. Pull the pull rod (#26) and insert to mounting bracket (#19) and lock the swivel trailer jack into position

## ⚠ WARNING

- Do not stack blocks under the jack's foot to increase the height. Stacked blocks may become unstable and fall.

3. Extend the jack by pushing the operating **UP** switch.  
**Note:** Under heavy use, the internal circuit breaker may open and cause the motor to switch off. In this case, release the operating switch and wait 15 seconds for the breaker to reset before resuming operation.

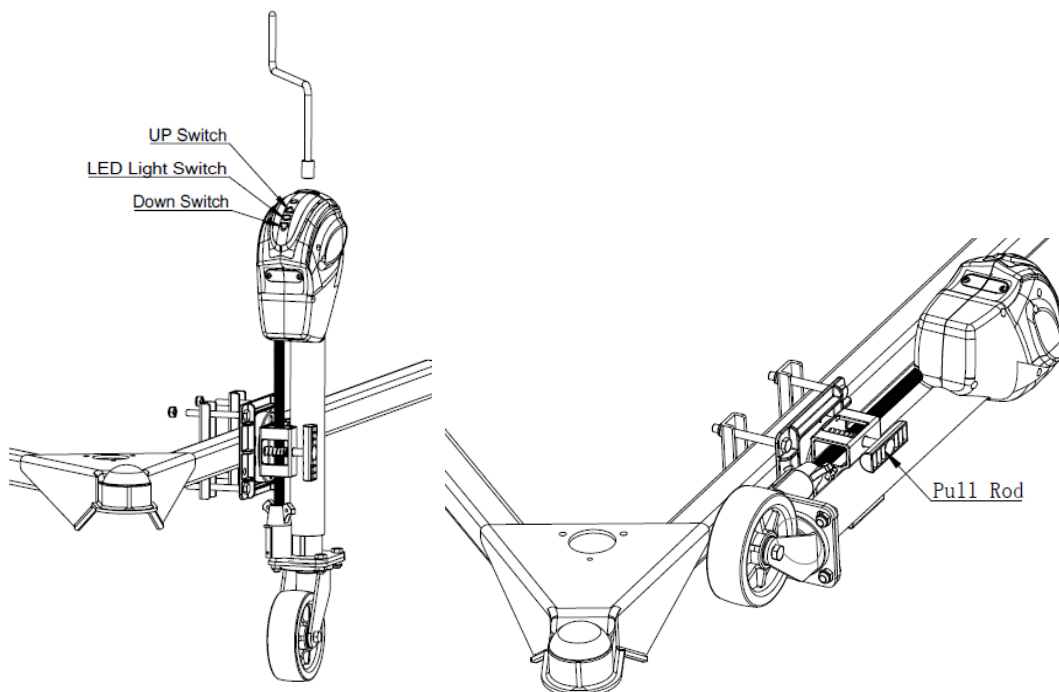
- 
- Retract the jack by pushing the operating **DOWN** switch.

**Note:** The jack will stop automatically at the end of the extension or retraction stroke. If you attempt to extend or retract the jack and it does not respond, it may be at the end of the stroke. If the jack fails to respond, try operating it in the opposite direction. If it will not operate in either direction, refer to the troubleshooting guide.

- When the jack is not in use, adjust the jack to a horizontal state in order to prevent the jack from touching the ground when the trailer is moving. Pull out the pull rod (#26) to swivel and lock the jack into a horizontal position.
- When in use, the jack must be in a vertical state. Pull out the pull rod (#26) to swivel and lock the jack into a vertical position.

7. **Tip:**

- When pressing the UP or DOWN button, the jack will automatically detect voltage. If the voltage is lower than 10V, the jack will sound an alarm.
- When jack reaches the highest or lowest position, the jack will sound an alarm. The jack will need to reset for 10 seconds. After this period, the jack can either be lowered (if it was at its highest position) or raised (if it was at its lowest position).
  - Example 1: If the jack is at the maximum height and you press the up button, the jack will not move. It will sound an alarm and the power will shut off for 10 seconds. If you press the down button, the jack will be able to retract normally.
  - Example 2: If the jack is at the minimum height and you press the down button, the jack will not move. It will sound an alarm and the power will shut off for 10 seconds. If you press the up button, the jack will be able to extend normally.
- If the jack is connected to the vehicle, but has not been operated for at least two minutes, the jack will automatically power off. Pressing the UP or DOWN button will awaken the jack.

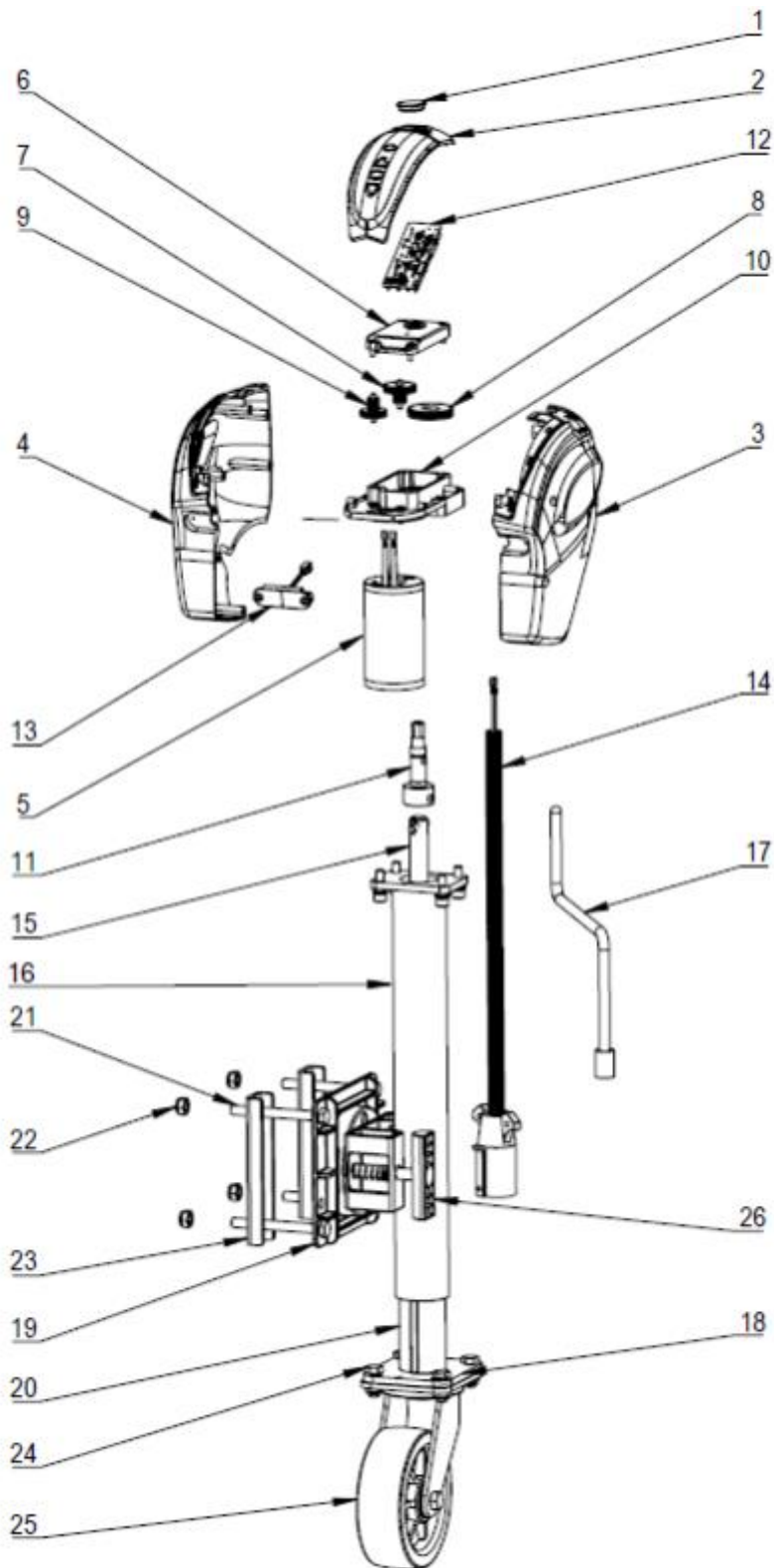


<b>Troubleshooting</b>	Refer to below troubleshooting guide if the device does not function properly. If unable to do so, have a qualified technician service the device.
------------------------	--

Failure	Possible Cause	Corrective Action
Motor will not operate	No or low voltage	Check trailer battery and electrical connections. Must have minimum of 10V DC to operate.
	Open Internal Circuit Breaker	Wait 15 seconds for breaker to close
	Open Manual Reset Circuit Breaker	Reset the breaker by pressing the button on the breaker.
Light work doesn't	Loose wires on the ON/OFF switch	Secure wire connection
	Bad light bulb	Replace bulb.



# ENLARGED ELECTRIC JACK PARTS VIEW



## PARTS LIST

Part Number	Part Description	Qty.
1	Override Protection Cover	1
2	Switch Cover	1
3	Plastic Cover (right)	1
4	Plastic Cover (left)	1
5-10	Gear Motor Box Assembly	1
11	Drive Shaft	1
12	PCB Board Assembly	1
13	LED Light	1
14	7-Way Connector	1
15	ACME Screw	1
16	Outer Tube	1
17	Crank Handle	1
18	Wheel Mounting Plate	1
19	Mounting Bracket	1
20	Inner Tube	1
21	M10 x 100 Hex bolts	4
22	M10 Lock nut	4
23	Plate	2
24	M10*25 Outer hexagon bolt M10 lock nut	4
25	Universal Wheel	1
26	Pull Rod	1

### Limited 1-Year Warranty

We make every effort to assure that this product meets high quality and durability standards, and warrants to the original purchaser that this product is free from defects in materials and workmanship for the period of **one** years from the date of manufacture, provided that installation and use of the product is in accordance with product instructions.

This warranty does not apply to damage due directly or indirectly, to misuse, abuse, negligence or accidents, repairs or alterations outside our facilities, criminal activity, improper installation, normal wear and tear, or to lack of maintenance. We shall in no event be liable for death, injuries to persons or property, or for incidental, contingent, special or consequential damages arising from the use of our product. Some states do not allow the exclusion or limitation of incidental or consequential damages, so the above limitation of exclusion may not apply to you. THIS WARRANTY IS EXPRESSLY IN LIEU OF ALL OTHER WARRANTIES, EXPRESS OR IMPLIED, INCLUDING THE WARRANTIES OF MERCHANTABILITY AND FITNESS.

#### Save this manual for reference.

Call or email our customer service department for troubleshooting help or replacement parts.

Toll Free 1-800-545-9633