



2000 lb. Drill Powered/Manual Sidewind A-Frame Jack

#10201098



WARNING:

Read, Understand, Follow and Save These Instructions.

Failure to follow all warnings and instructions may result in product failure, property damage, serious personal injury.

The warnings, cautions, and instructions discussed in this instruction manual cannot cover all possible conditions or situations that could occur. It must be understood by the operator that common sense and caution are factors which cannot be built into this product, but must be supplied by the operator

INTENDED USE

This 2000lbs sidewind drill powered manual jack is designed as dual use, use the manual crank or your power drill raise and lower you A- Frame trailer.

TECHNICAL SPECIFICATIONS

SPECIFICATIONS

- Model no.: 10201098
- Maximum Lift Capacity: 2,000 lbs.
- Travel: 14"
- Height Range: 9" to 23"
- Type: Manual or Power Drill Operation
- Outer Tube Diameter: 2-1/4"
- Foot Pad: Non-adjustable

SAVE THESE INSTRUCTIONS

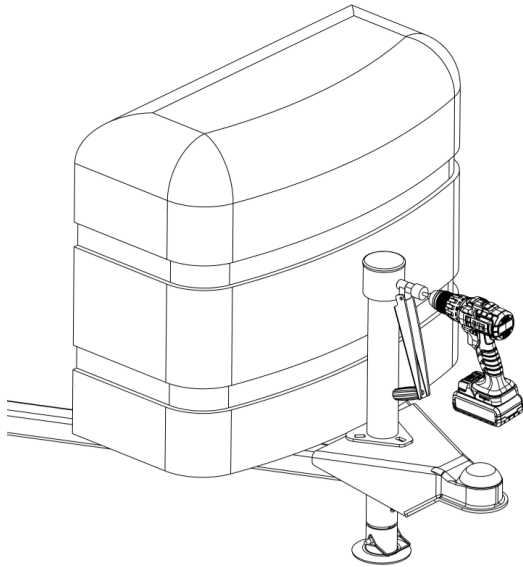
IMPORTANT SAFETY CONSIDERATIONS

JACK USE AND CARE

- **Do not modify the jack in any way.** Unauthorized modification may impair the function and/or safety and could affect the life of the equipment. There are specific applications for which the jack was designed.
- **Always check for damaged or worn out parts before using the jack.** Broken parts will affect the jack operation. Replace or repair damaged or worn parts immediately.
- **Do not force the trailer jack.** Do not attempt to lift more than the maximum lifting capacity of 2000-lb.
- **Never attempt to adjust the drop leg when there is any load on the jack.** When using the drop foot or drop leg, make certain the supplied pin is fully inserted through both sides of the inner tube and the drop tube before using the jack.

INSTALLATION INSTRUCTIONS

Before installation, compare the lift capacity of the jack with your trailer to ensure safe operation of the jack.



1. Park the trailer on a level surface and block the wheels.
2. This jack has been designed to attach to the top surface of the A-frame coupler.
3. Detach the foot pad (#8) of the jack by removing the lock pin (#7) and sliding it out.
4. Position the foot pad (#8) in line with the mounting hole with the foot of the drop leg on the ground.
5. Support the trailer tongue by the frame with jack stands (not included).
6. If replacing an old jack, remove the old jack from the coupler, saving the

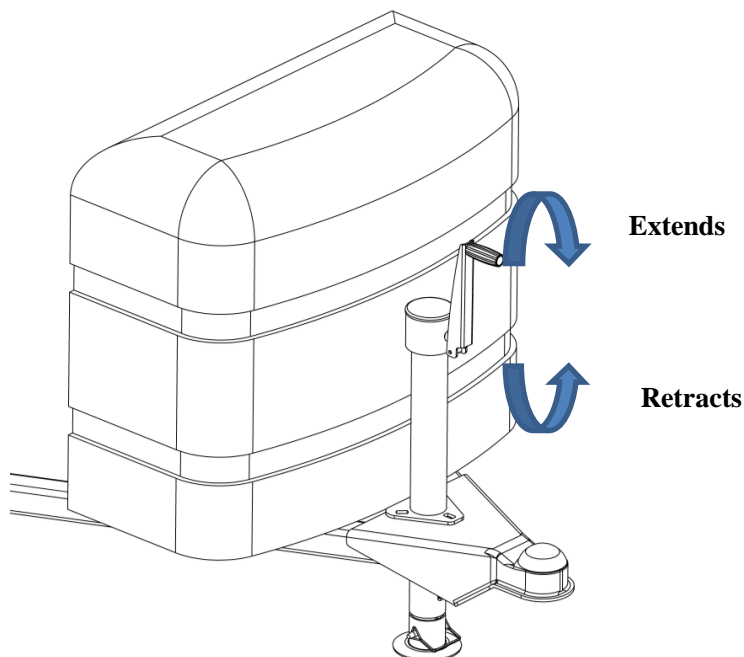
washers and bolts.

7. Insert the jack through the A-frame coupler hole and align the bolt holes to make sure the jack facing forward towards the tow vehicle.
8. Retract the jack completely.

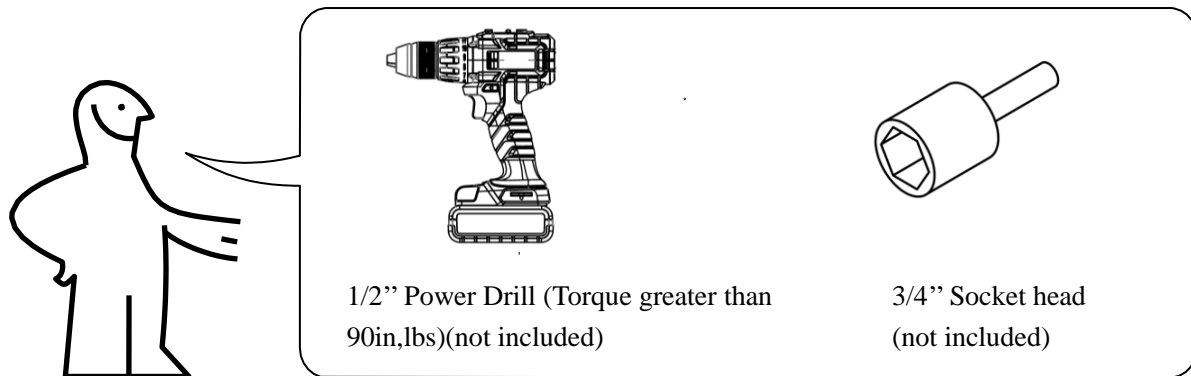
OPERATION

Option 1: Manual Operation

Attach the Drive Handle to the Driveshaft located at the side of the unit. Turning the handle clockwise will extend the jack. Turning the handle counter-clockwise will retract the jack.

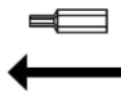


Option 2: Drill Adapter



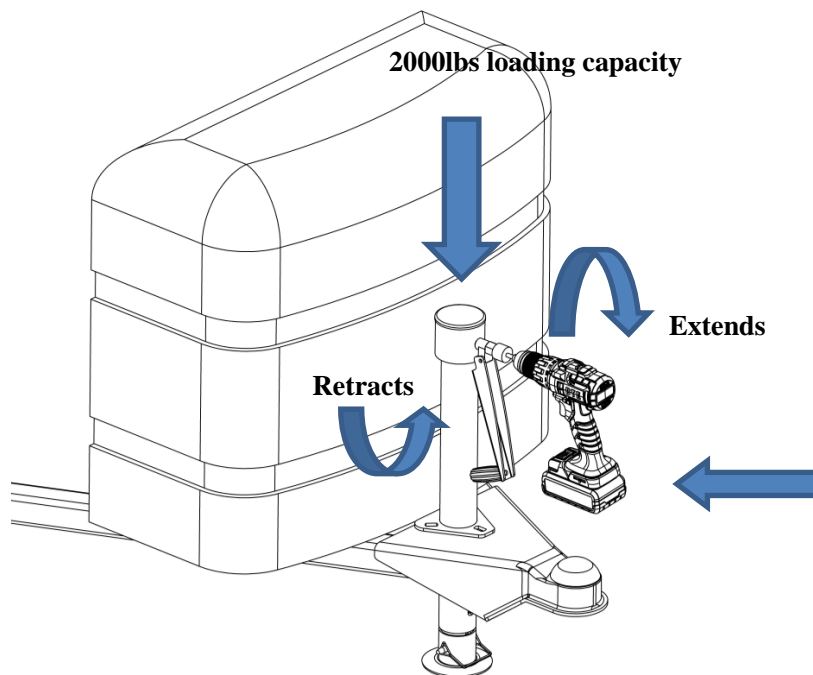
The Drill Adapter can be used with any standard power drill, and 3/4'' socket head , consumer drill. **Corded drills and impact drills are not recommended.**

Slot the Drill Adapter in your Drill chuck and secure tightly to avoid the adapter slipping. Align and insert the Drill Adapter to the driveshaft.

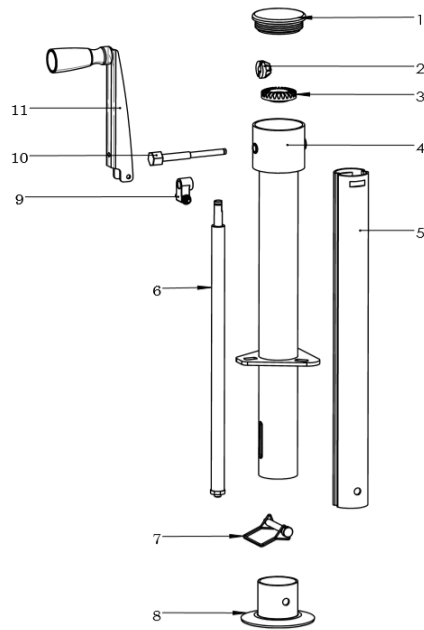


NOTE: If you are using a power drill, be sure your battery pack is fully charged before use. Follow your drill/driver manufacturer's recommendation.

When using an electric drill, it will have high initial torque if the drill trigger is pulled rather than squeezed. For proper use, hold the drill firmly and begin to squeeze the trigger slowly, increasing the power up to an appropriate speed.



EXPLODED VIEW



PARTS LIST

Parts No.	Description	Qty
1	Override Protection Cover	1
2	Pinion	1
3	Main Gear Drive	1
4	Outer tube	1
5	Inner tube	1
6	ACME Screw	1
7	Lock Pin	1
8	Foot Pad	1
9	Teleflex	1
10	Shaft	1
11	Crank handle	1

Limited 1-year Warranty

We make every effort to assure that this product meets high quality and durability standards, and warrants to the original purchaser that this product is free from defects in materials and workmanship for the period of **one** years from the date of manufacture, provided that installation and use of the product is in accordance with product instructions.

This warranty does not apply to damage due directly or indirectly, to misuse, abuse, negligence or accidents, repairs or alterations outside our facilities, criminal activity, improper installation, normal wear and tear, or to lack of maintenance. We shall in no event be liable for death, injuries to persons or property, or for incidental, contingent, special or consequential damages arising from the use of our product. Some states do not allow the exclusion or limitation of incidental or consequential damages, so the above limitation of exclusion may not apply to you. THIS WARRANTY IS EXPRESSLY IN LIEU OF ALL OTHER WARRANTIES, EXPRESS OR IMPLIED, INCLUDING THE WARRANTIES OF MERCHANTABILITY AND FITNESS