



Item # 4011

## ASSEMBLY MANUAL- CargoLoad Fold-Up Carrier by HitchMate

### Important safety information

#### General

1. Make sure the area in which the Carrier is assembled is clean and well lit. Cluttered or dark areas invite accidents.
2. Keep children and bystanders away while assembling the Carrier
3. Stay alert, watch what you are doing and use common sense when using the Carrier. Do not use the Carrier while you are tired or under the influence of drugs, alcohol or medication. A moment of inattention while using the Carrier may result in serious personal injury.
4. **DO NOT USE ON A TOWED VEHICLE.**

### General Assembly Instructions

1. Unpack all parts and identify according to the FIG. and parts list.
2. Install two bolts (item no. 13) through left frame (item no. 1), tube assembly (item no.3), and right frame (item no. 2). Install flat washers (item no. 12), and nuts (item no. 11) on the bolts.  
**REMARK: DON'T TIGHTEN THEM UNTIL THE CONNECTING PLATE (Item no. 4) INSTALLATION IS FINISHED.**
3. Place the two connecting plates (item no. 4) onto the frames. Install bolts (item no. 16) through frames (item no. 1 & 2), add flat washers (item no. 15). Tighten them together with the nuts (item no. 14)
4. Connecting the 2" foldable tube (item no. 5) onto 2" tube body assembly. (item no. 3) using bolt (item no. 10) and connecting pin (item no. 8).
5. **NOW TIGHTEN ALL CONNECTIONS WITH A WRENCH.**

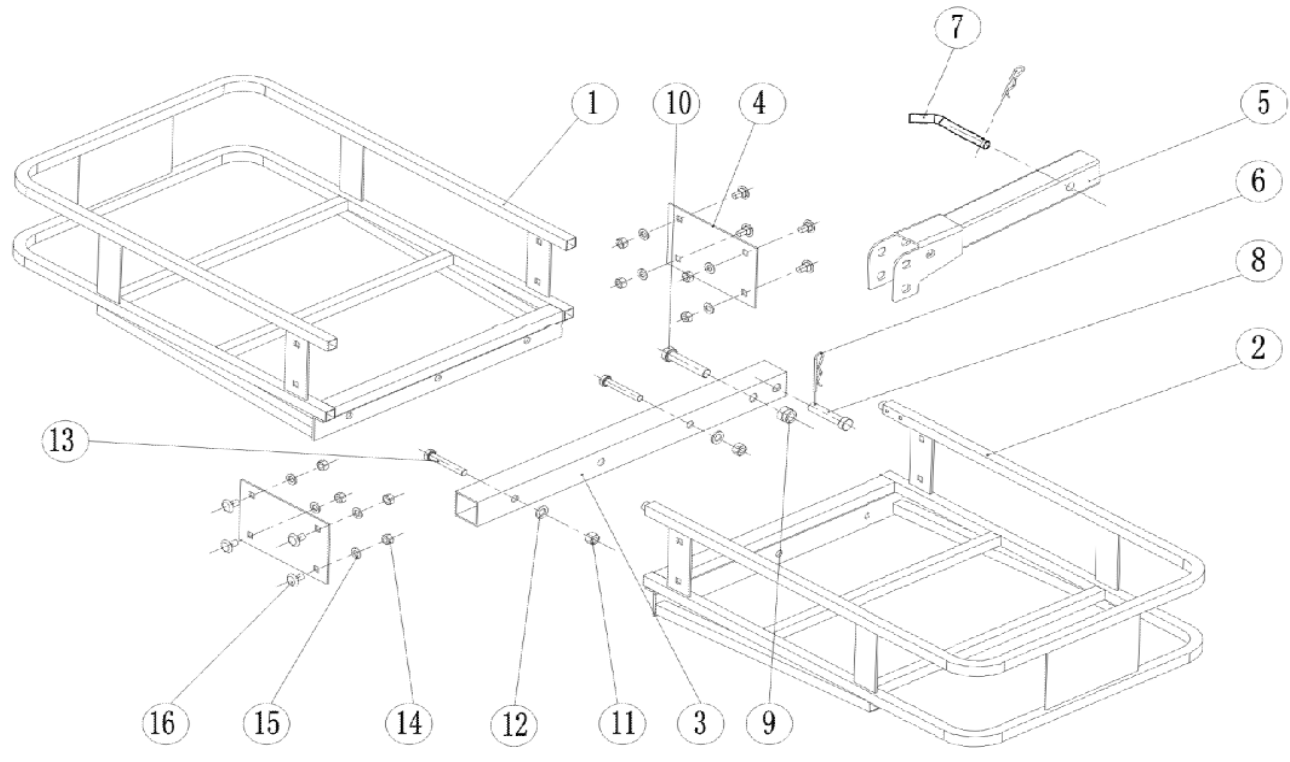
### Loading Your Cargo

1. MAX. WEIGHT OF CARGO NOT TO EXCEED 500 LB. OR LOAD LIMIT OF HITCH WHICHEVER IS LEAST AMOUNT.
2. Slide cargo across the frame to find the center of gravity, where the cargo will rest without rocking.
3. Cargo must be properly secured before operating vehicle. Tie down straps, bungee cords or cargo webbing is recommended. Heavier items demand stronger tie-downs.

### Folding The Frame Body When Not In Use

1. Pull out the clip (item no. 6) and the connecting pin (item no. 8).
2. Turn the frame body up until the frame body is vertical.
3. Insert the connecting pin (item no. 8) through the 2" tube body assembly (item no. 3) and the lower hole of the 2" foldable tube (item no. 5) and insert the clip (item no. 6) into the connecting pin

### FIGURE:



## Parts List

ITEM	DESCRIPTION	QUANTITY
1	FRAME, LEFT	1
2	FRAME, RIGHT	1
3	2" TUBE BODY ASSEMBLY	1
4	CONNECTING PLATE	2
5	2" FOLDABLE TUBE	1
6	CLIP	2
7	5/8" HITCH PIN	1
8	CONNECTION PIN	1
9	LOCK NUT M16	1
10	BOLT M16*80	1
11	NUT M12	2
12	FLAT WASHER M12	2
13	BOLT M12x75	2
14	NUT M10	8
15	FLAT WASHER M10	8
16	BOLT M10x20	8



### *Limited Liability, Two-Year Warranty Policy*

Heininger Holdings, LLC, warrants the original owner of each new HitchMate against defects in workmanship and materials for two years from the date of purchase (at retail) of the product, provided it is purchased from an authorized HitchMate dealer. This Limited Two Year Warranty is not transferable and shall only apply to normal and ordinary use, for which the product was intended.

Warranty claims are to be made directly to Heininger Holdings and must be accompanied by a sales receipt or other appropriate proof-of-purchase document. Should this product or any part or accessory be determined by Heininger Holdings, to be defective and covered by this Limited Two Year Warranty, it will be repaired or replaced at the option of Heininger Holdings, without further charge. The cost of transportation to and from the Heininger warranty inspection facility for repair or replacement of any defective part and/or accessory and any related charges is not covered by this warranty, and is to be paid by the owner.

The warranty does not cover normal wear and tear, worn and normal use cosmetic blemishes, improper assembly, lack of maintenance, or custom alteration/installation of any parts or accessories not originally intended or compatible with the product as sold. The warranty does not apply to damage or failure resulting from an accident, abuse or neglect.

This warranty is given in lieu of all other expressed warranties, implied warranties, including without limitation implied warranties of merchandising ability and fitness for a particular purpose, and are limited to the duration and specification of this warranty. In no event shall Heininger Holdings, be liable for damages in excess of the purchase price of the HitchMate, for any loss of use, loss of time, inconvenience, commercial loss, lost profits or savings or any incidental, special, consequential, direct or indirect damages arising out of the use or inability to use such product, to the full extent as such may be disclaimed by the law. Labor charges for part changeover are not covered by this warranty.