



GoosePuck User Guide





GoosePuck USERS GUIDE

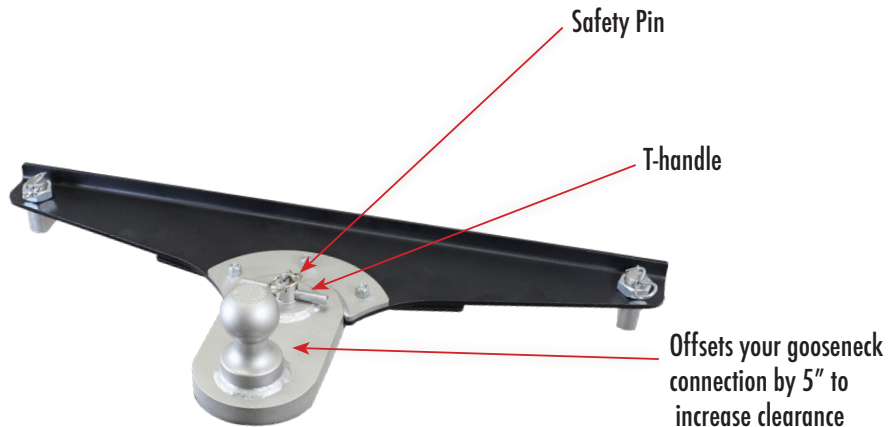
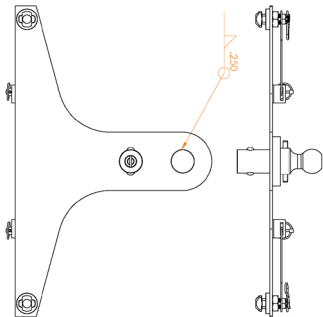
This product is protected by Patent # US9505281B1, USD773345S1, USD9868327B1



SCAN ME!

How to install:

Pull up spring loaded T-handle, turn 1/4 turn to keep it unlatched. Insert stem of GoosePuck into truck's gooseneck pocket, turn T-handle 1/4 turn again to re-engage spring loaded balls. Be sure to re-insert safety pin on top of T-handle once fully engaged.



* GEN-Y Hitch shall NOT be held responsible for any or all "compatible parts or products" being used or being utilized for towing with or around GEN-Y Hitch.

* GEN-Y Hitch products shall never be altered in any circumstances or for any reason and will void any warranties if done so.