



7324
7325

Flower Garden PARTS LIST

Instructions online at www.prevuepet.com

CUSTOMER SUPPORT

Please contact Prevue Pet Products:

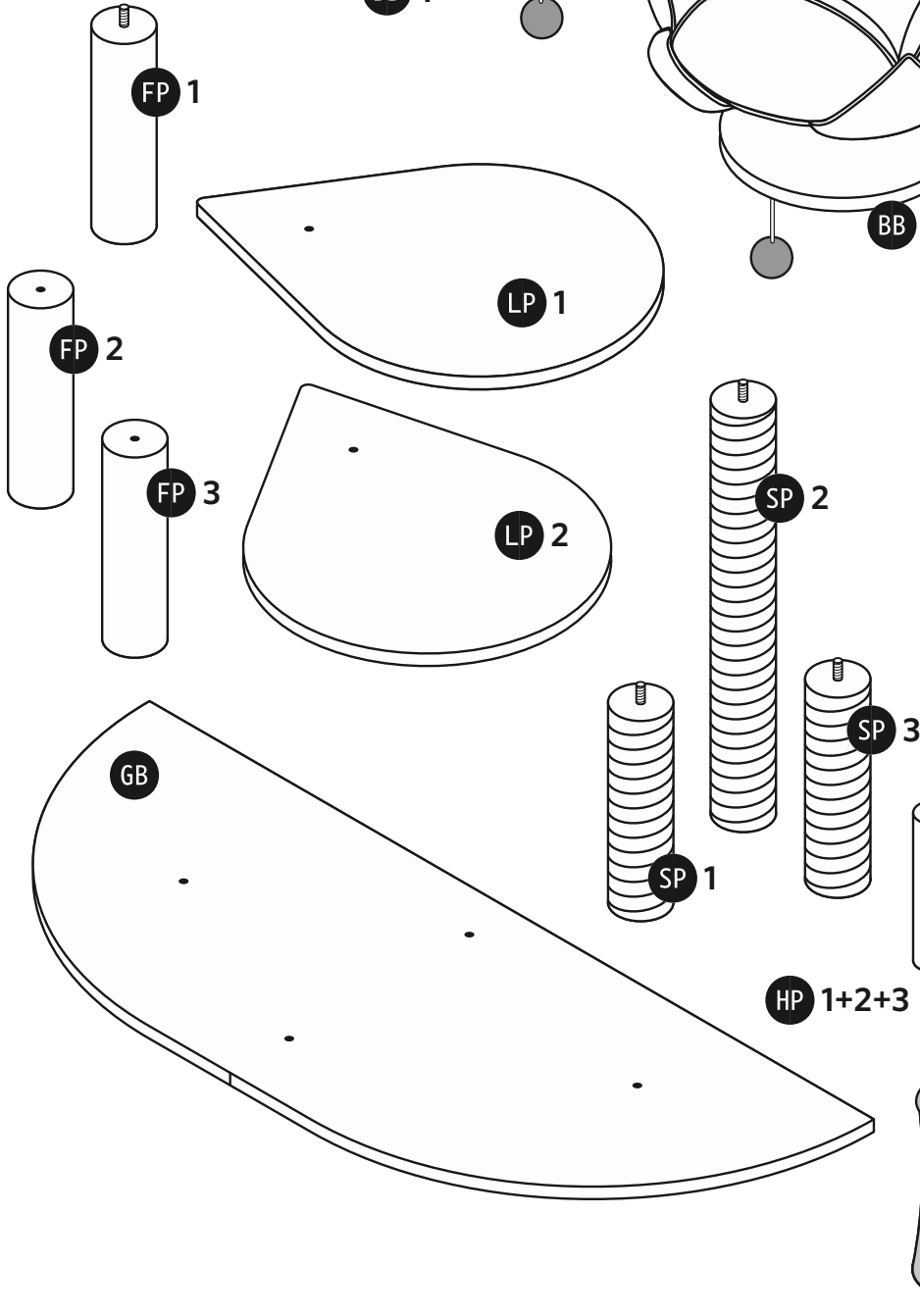
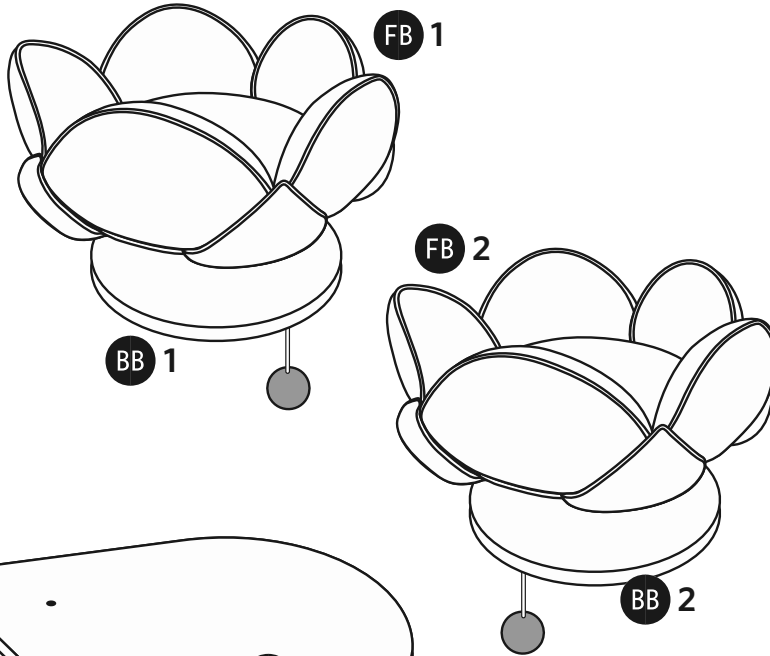
PHONE 1 (312) 243-3624

ONLINE www.prevuepet.com

EMAIL customerservice@prevuepet.com


KEY:

- FB = Flower Bed
- BB = Bed Base
- FP = Fabric Post
- SP = Scratching Post
- LP = Leaf Platform
- HB = Hideaway Base
- HC = Hideaway Cover
- HP = Hideaway Post
- GB = Garden Base




HARDWARE INCLUDED:

 **Phillips Screws**
6 pcs

 **Screw Post**
2 pcs

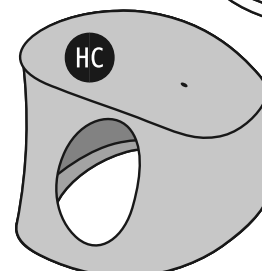
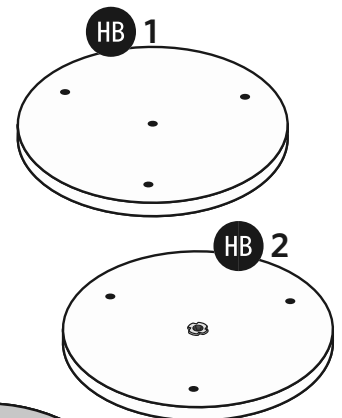
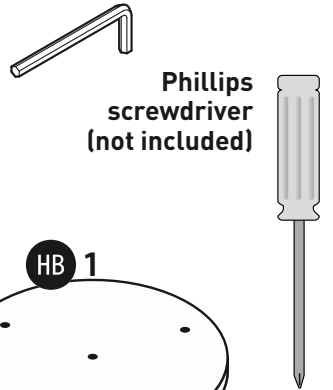
 **Long Hex Screw**
4 pcs

 **Short Hex Screw**
1 pc

 **Washer**
2 pcs

TOOLS:

Allen wrench (included)



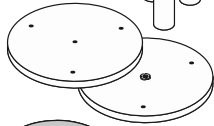
TOOLS NEEDED : Phillips screwdriver (not included) • For best results, follow Assembly Steps in order presented.

1

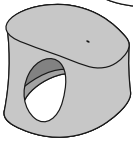
PIECES

HB

1
2



HC



HP

1
2
3



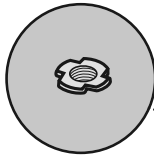
x 6

*
Phillips head screwdriver
is needed (not included)

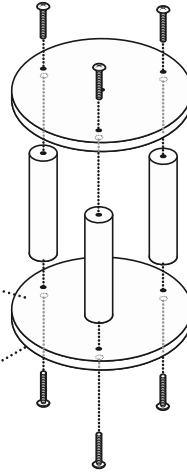
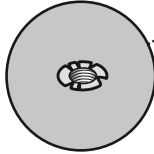
Pre-assembly

Attach the **hideaway bases** to the **hideaway posts** with the **Phillips head screws** to create the **hideaway framework**.

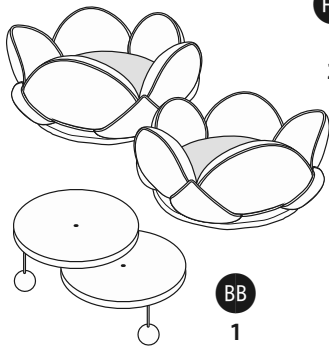
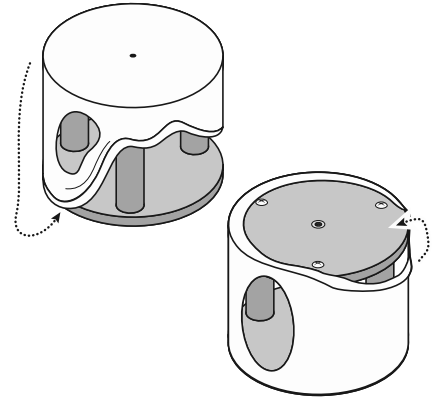
Center
threaded
screw hole :
face up
view



face down
view



Pull the **hideaway cover** down over the **frame**. Flip the unit over and pull the **lip** of the cover over the edge of the **base**.



FB

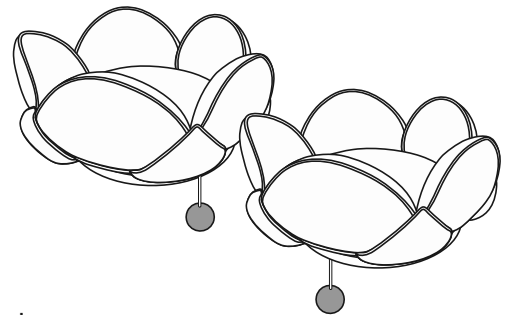
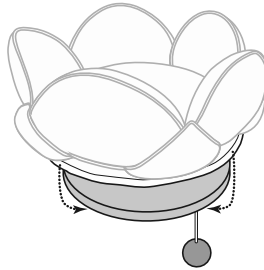
1
2

BB

1
2

Pre-assembly

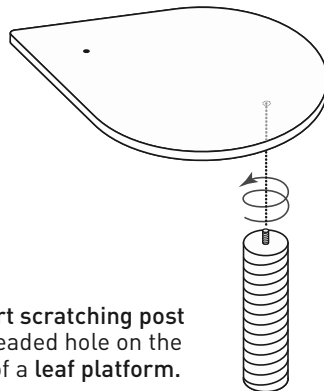
Pull the **apron** of the **flower bed** down over the **bed base**. Pull the **elastic band** on the apron over the bottom to create a **lip** on the underside of the **base**.



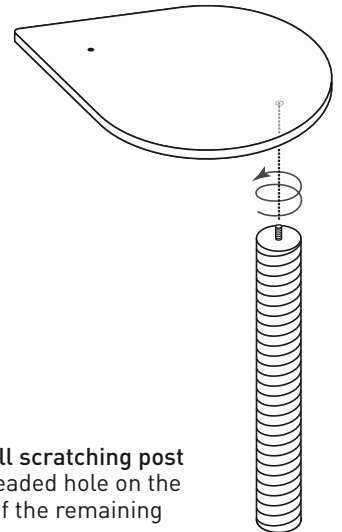
Pre-assembly both beds.

Pre-assembly

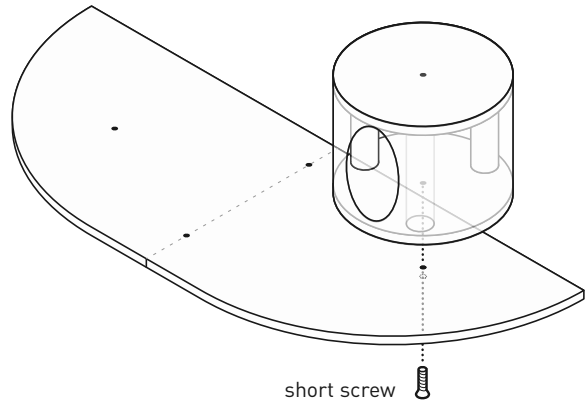
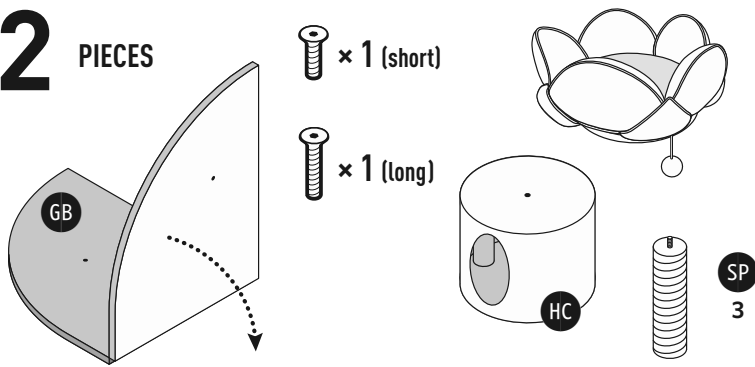
Twist a **short scratching post** into the **threaded hole** on the **underside** of a **leaf platform**.



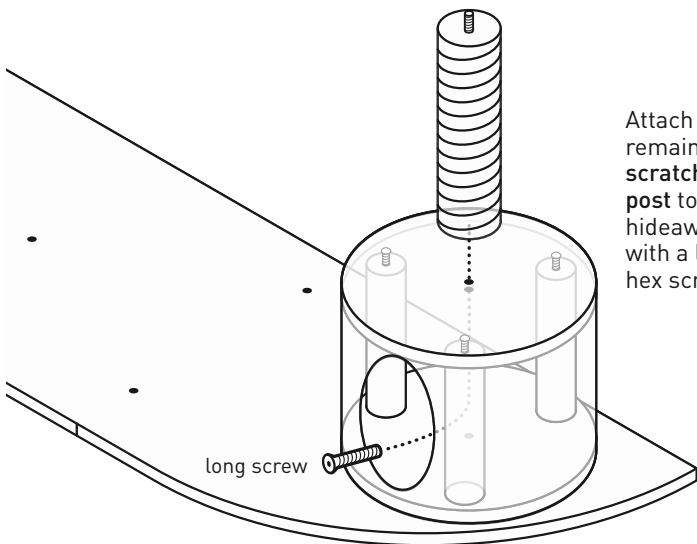
Twist the **tall scratching post** into the **threaded hole** on the **underside** of the **remaining leaf platform**.



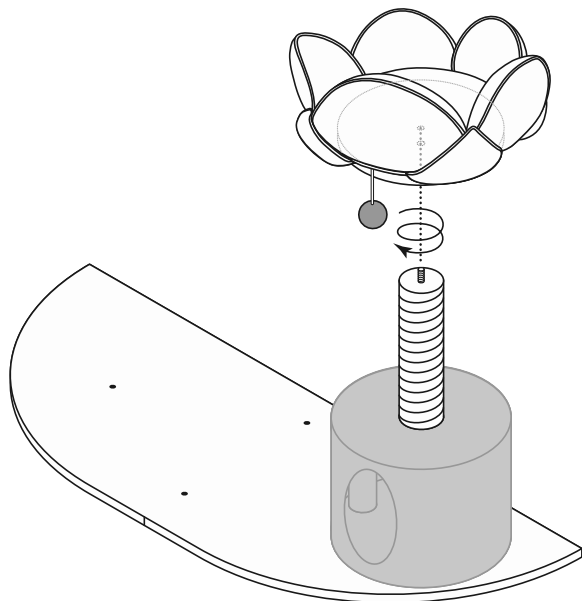
2 PIECES



Attach the assembled **hideaway** to the base with a short hex screw.



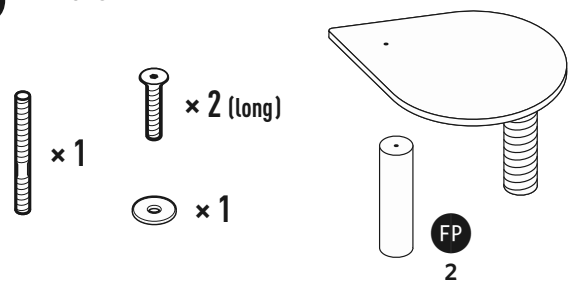
Attach the remaining **scratching post** to the hideaway with a long hex screw.



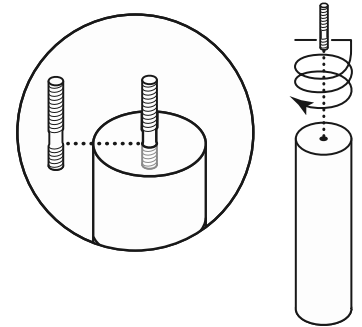
Align the center holes on the underside of the flower bed and the bed base.

Twist the assembled **flower bed unit** onto the screw post until snug and stable.

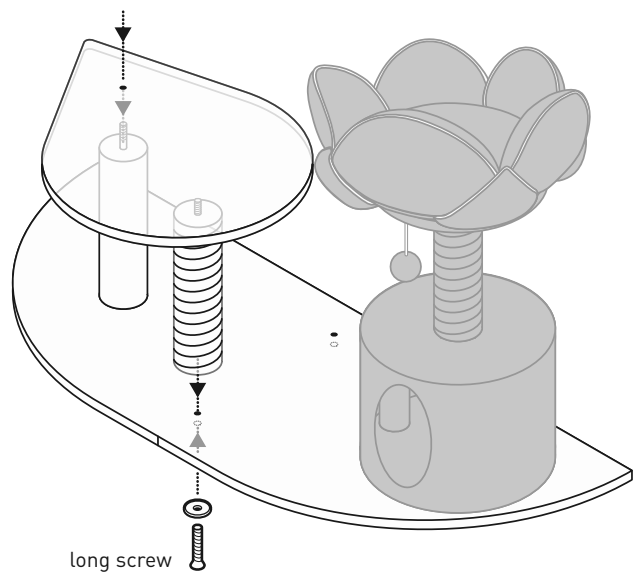
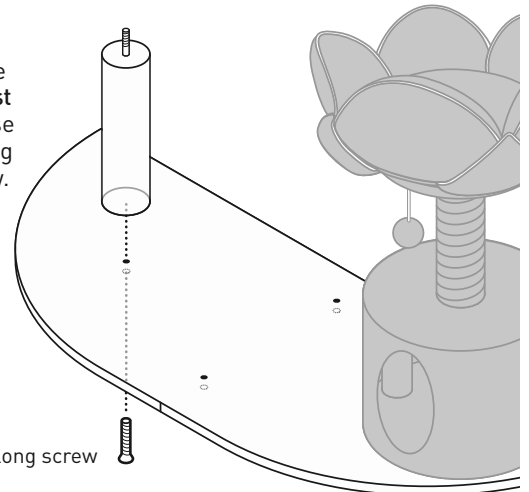
3 PIECES



Twist the screw post into either end of the fabric post.

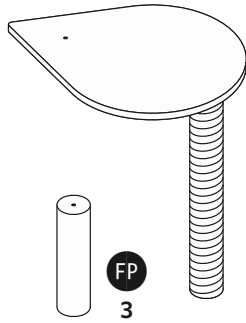
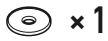
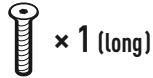
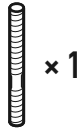


Attach the **fabric post** to the base with a long hex screw.

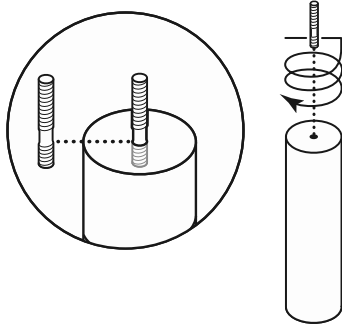


Insert the **leaf platform/short post** unit onto the screw post. Attach the unit to the base with a washer on a long hex screw.

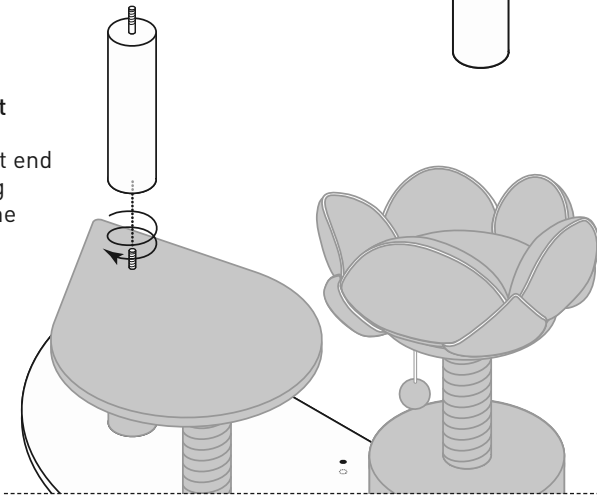
4 PIECES



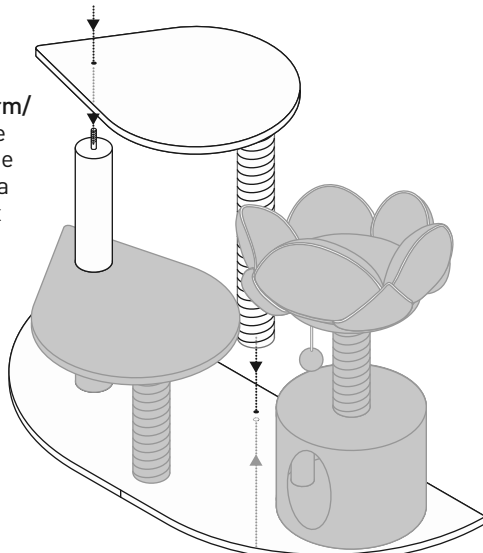
Twist the screw post into either end of the fabric post.



Twist the fabric post onto the screw post end protruding through the platform.

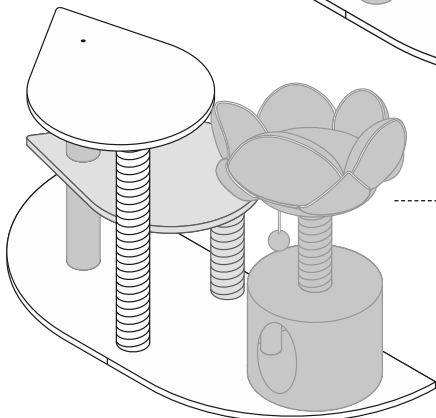


Insert the leaf platform/ tall post unit onto the screw post. Attach the unit to the base with a washer on a long hex screw.

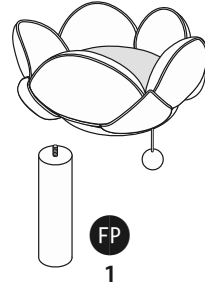


long screw

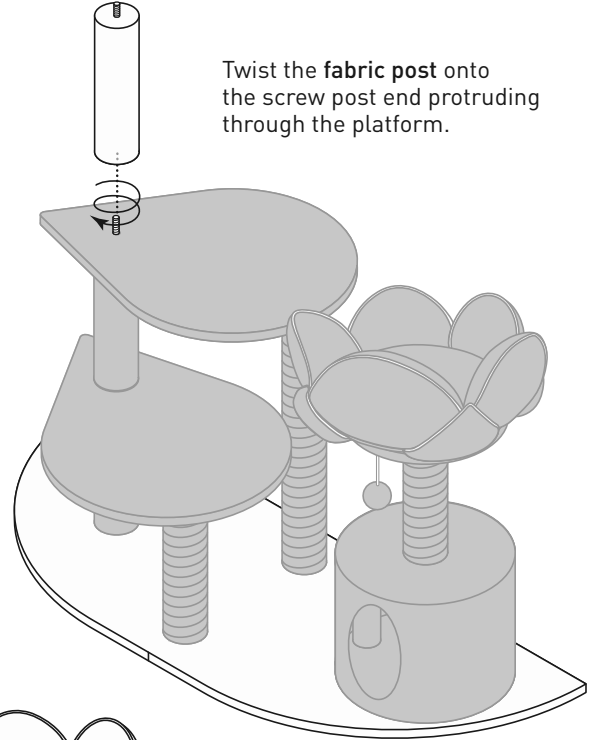
Alternate assembly :
The tall scratching post may be in front with the shorter scratching post attached at the back.



5 PIECES

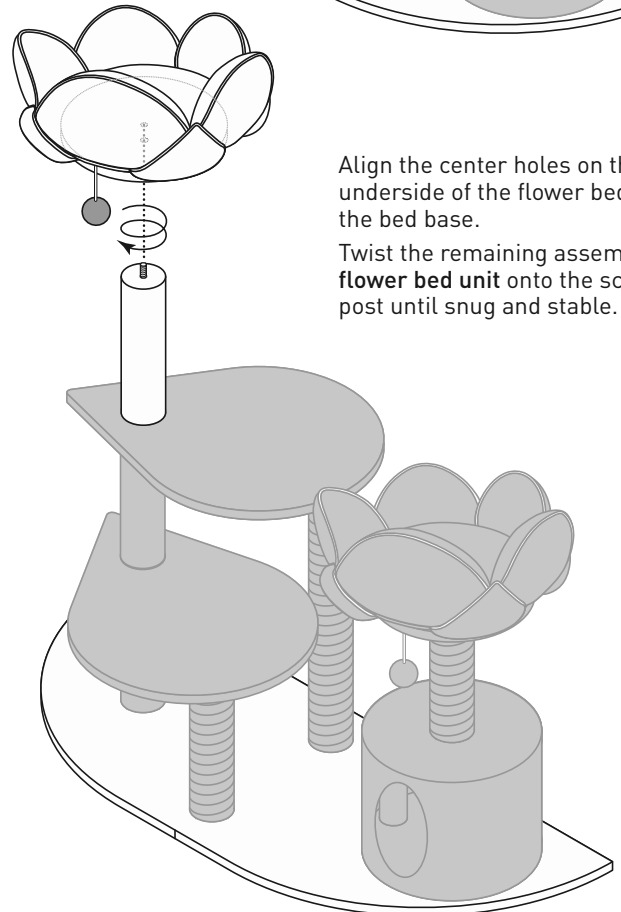


Twist the fabric post onto the screw post end protruding through the platform.



Align the center holes on the underside of the flower bed and the bed base.

Twist the remaining assembled flower bed unit onto the screw post until snug and stable.



Assembly completed. ■