



Ferret Stack | Three Story PARTS LIST

Instructions online at www.prevuepet.com

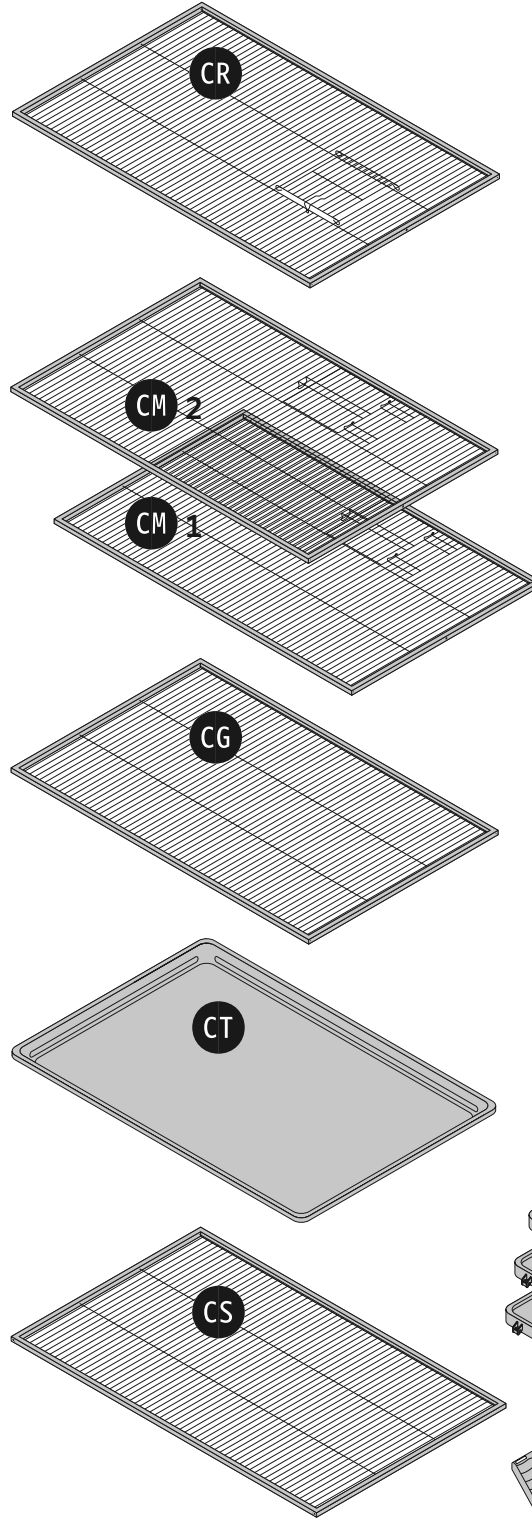
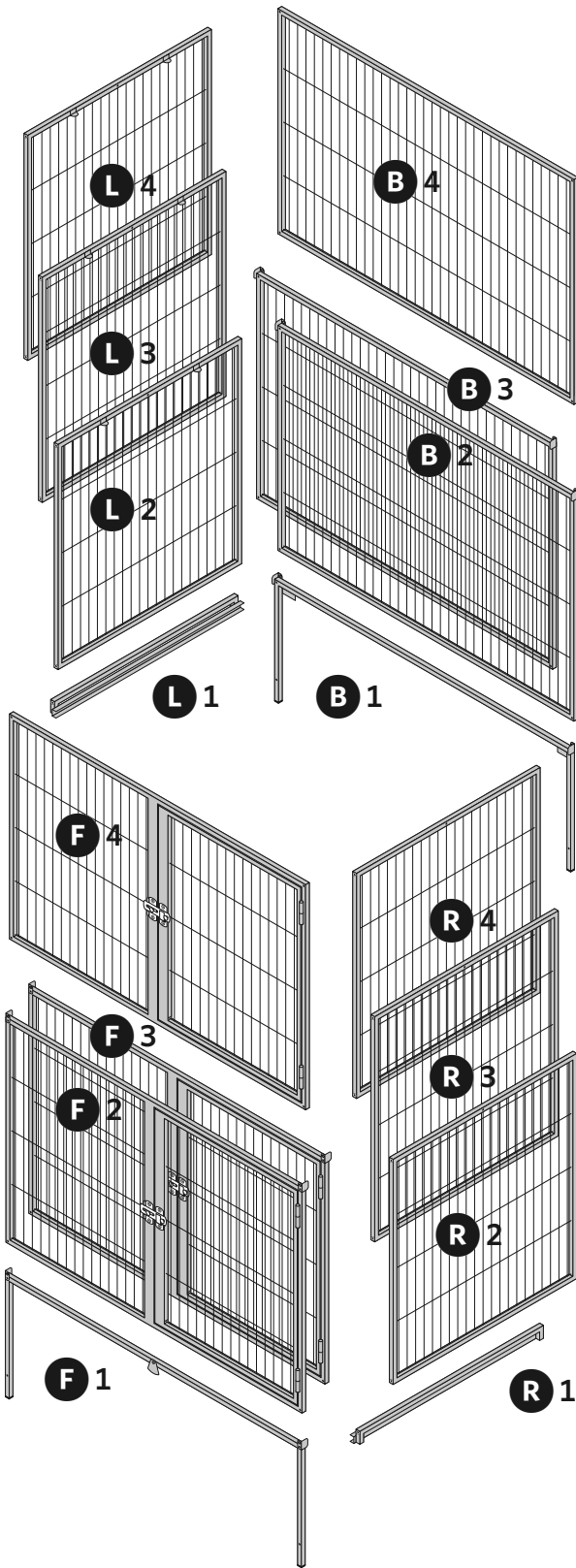
CUSTOMER SUPPORT

Please contact Prevue Pet Products:

PHONE 1 (312) 243-3624

ONLINE www.prevuepet.com

EMAIL customerservice@prevuepet.com

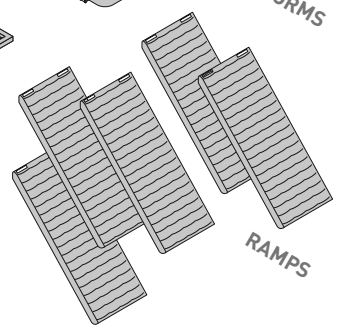
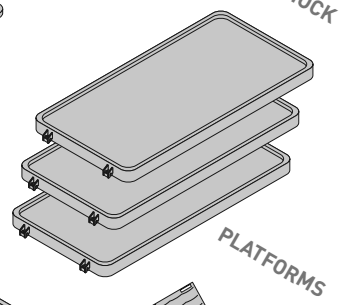
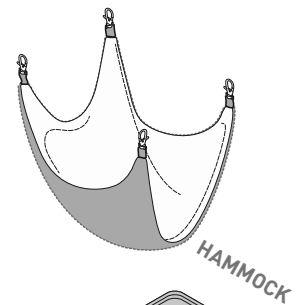


KEY:

- L = Left Side
- B = Back
- F = Front
- R = Right Side
- CR = Center/Roof
- CM = Center/
MidLevel Floor
- CG = Center/
Floor Grille
- CT = Center/Tray
- CS = Center/Shelf

***** These pieces are interchangeable:

- L 1** = **R 1**
- CM 1** = **CM 2**
- L 2, 3, 4** are all the same
- R 2, 3, 4** are all the same



HARDWARE & TOOLS:



Hex
Screws
38 pcs



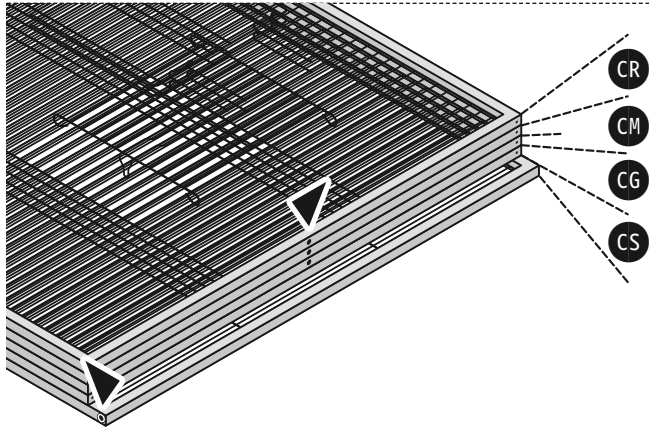
Hex Key



Casters
4 pcs

NO ADDITIONAL TOOLS REQUIRED • For best results, follow the Assembly Steps in the order presented.

HOW TO TELL THE DIFFERENCE : Several parts and panels may look similar. Here's how to tell the difference:



CENTER PANELS

The **roof panel (CR)** has an attached sliding door on top, and a screw hole on both ends of the frame.

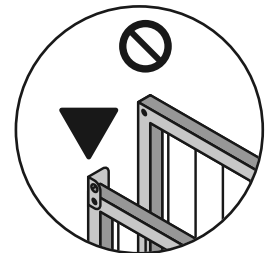
Both **midlevel floor panels (CM)** have a detachable wire divider door, and a screw hole on both ends of the frame.

The **ground floor grille panel (CG)** has **NO** door and **NO** screw hole on the ends.

The **shelf (CS)** is longer, and has threaded screw holes on the front and back corners of the frame.

FRONT & BACK PANELS : TOP vs OTHERS

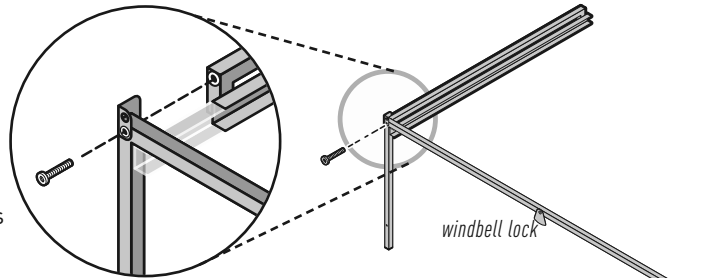
The lower panels (F2, F3, B2, B3) have top corner brackets. Top panels (F4, B4) do not.



KEY:
L = Left Side
B = Back
F = Front
R = Right Side
CR = Center / Roof
CM = Center / Mid-Level Floor
CG = Center / Floor Grille
CT = Center / Tray
CS = Center / Shelf

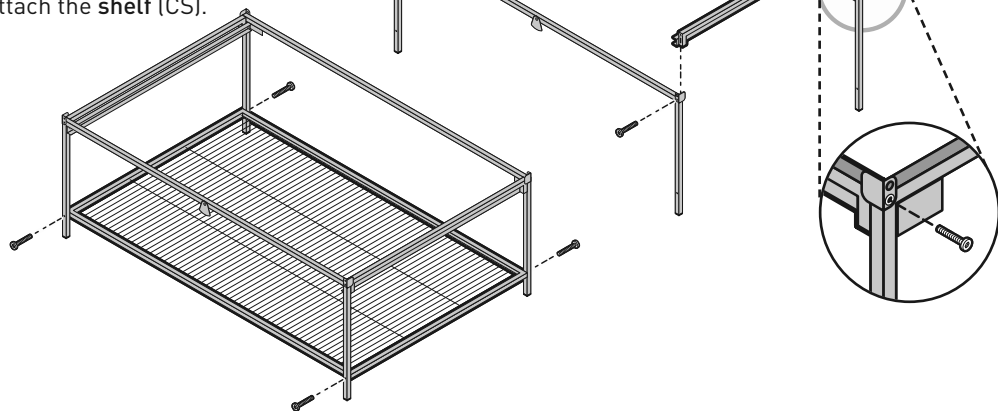
Orient the **front legs (F1)** with the windbell lock facing forward.

The extended portion of the **tray channel rail (L1)** dovetails into the inside of the frame leg. Attach frames together with a hex screw through the **bottom** hole.

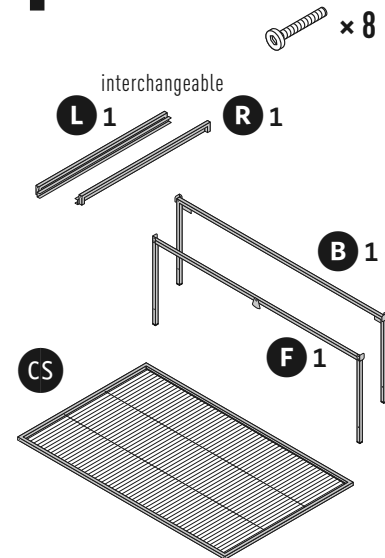


Orient the backstop on the **back legs (B1)** facing the back. Attach legs to sides with hex screws in the **bottom** holes.

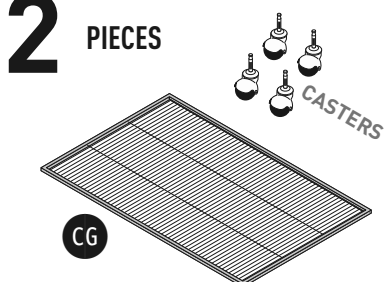
Attach the **shelf (CS)**.



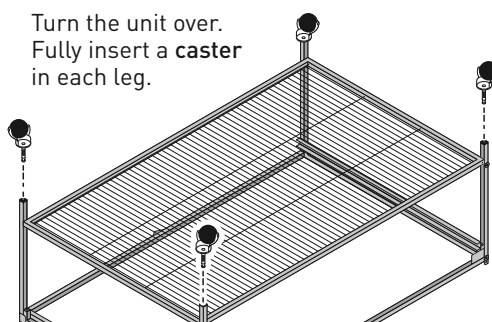
1 PIECES



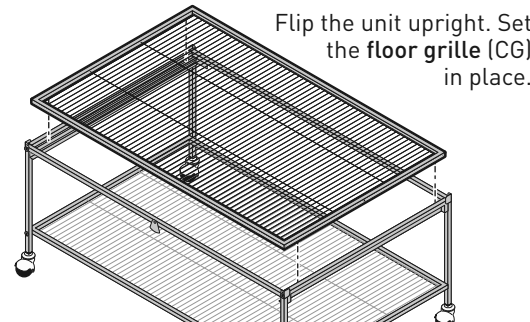
2 PIECES



Turn the unit over. Fully insert a **caster** in each leg.

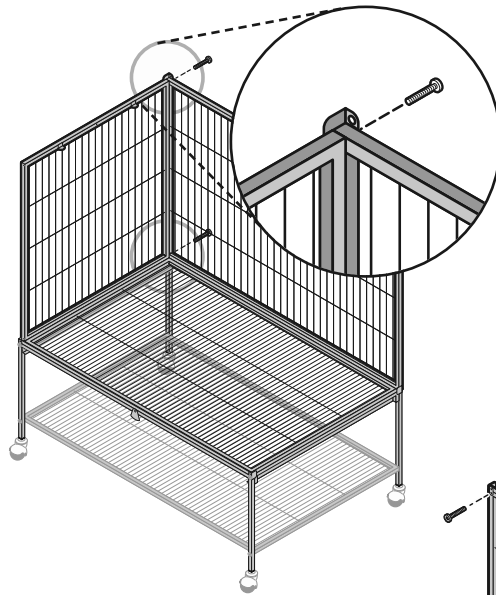
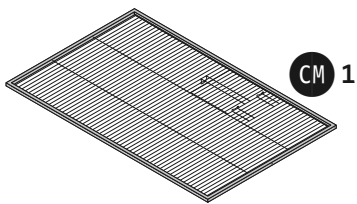
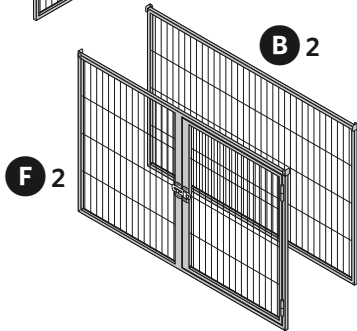
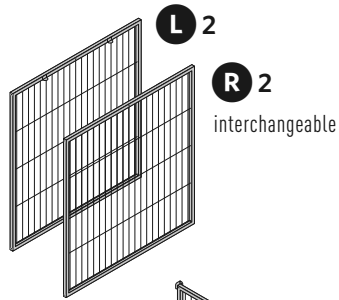


Flip the unit upright. Set the **floor grille (CG)** in place.



3 PIECES

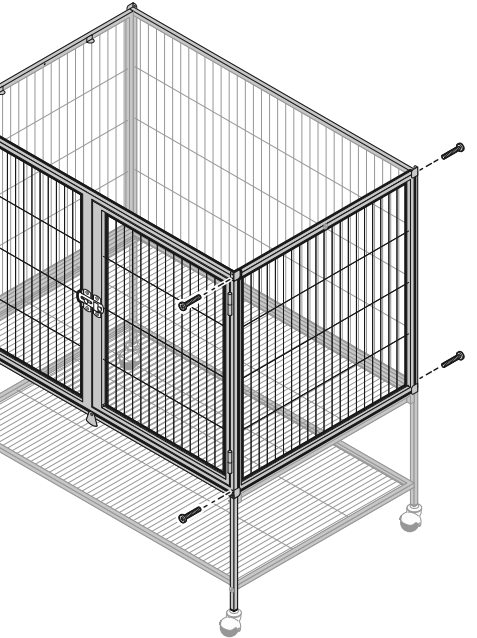
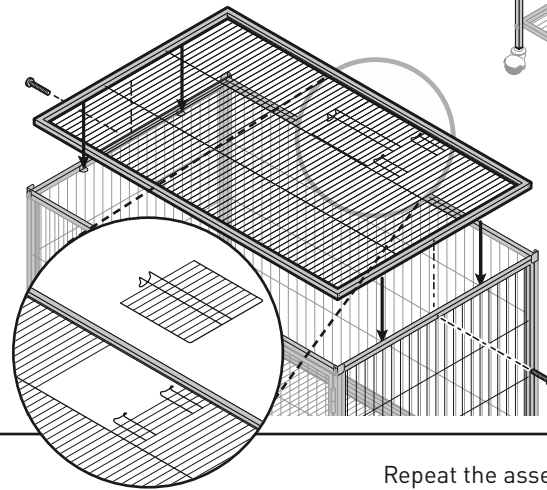
× 10



✓ Stand the side panel (L2) and the lower back panel (B2) [with corner brackets] in position and attach together with a hex screw at the top and bottom corners.

* Hand-tighten screws so they remain loose. This will ease the assembly of the additional levels.

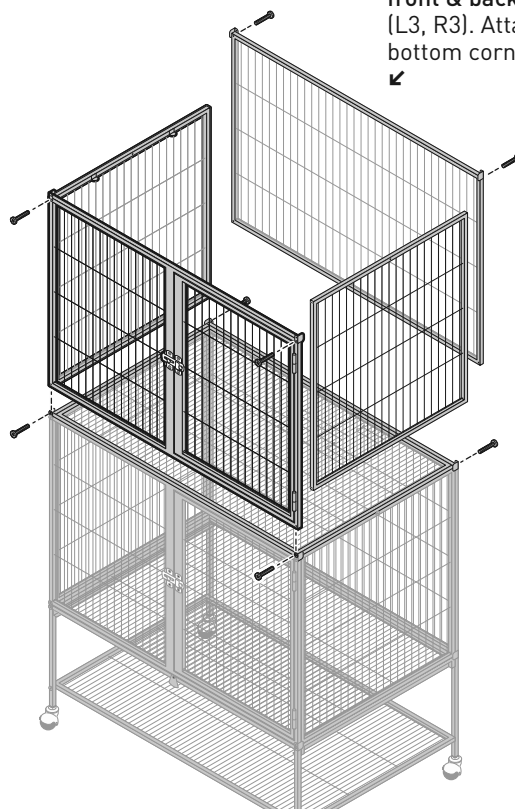
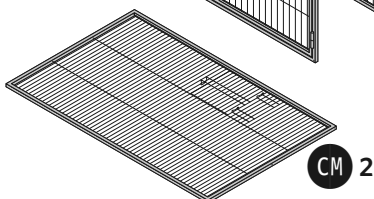
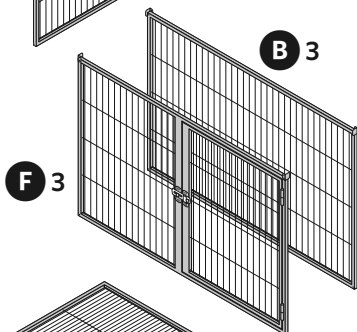
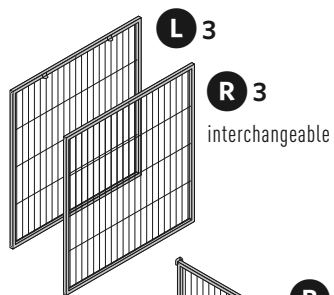
→ Continue adding and attaching panels [side panel (R2), front panel (F2)], with hand-tightened hex screws as detailed above.



← Place one of the midlevel floors (CM1, or CM2 – with the removable divider door) in place and secure it with hex screws, one screw on each end.

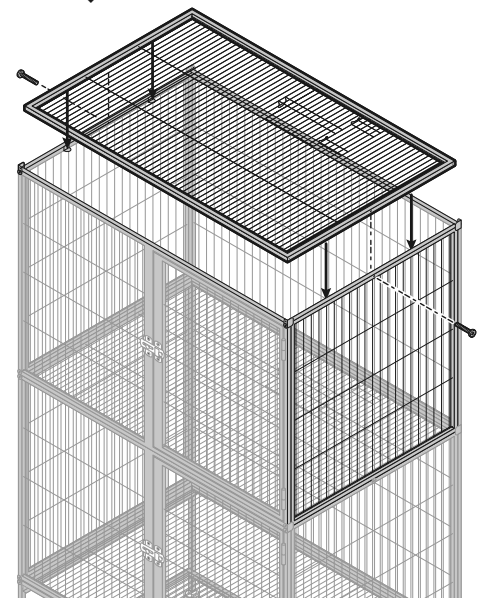
4 PIECES

× 10



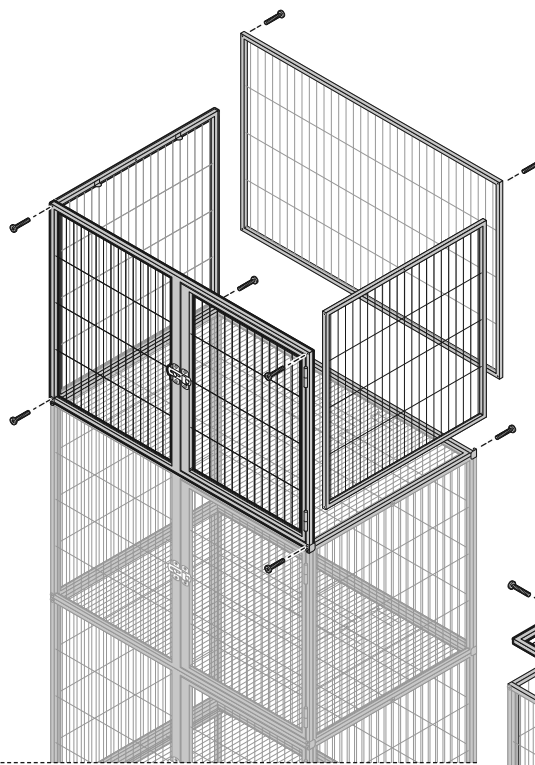
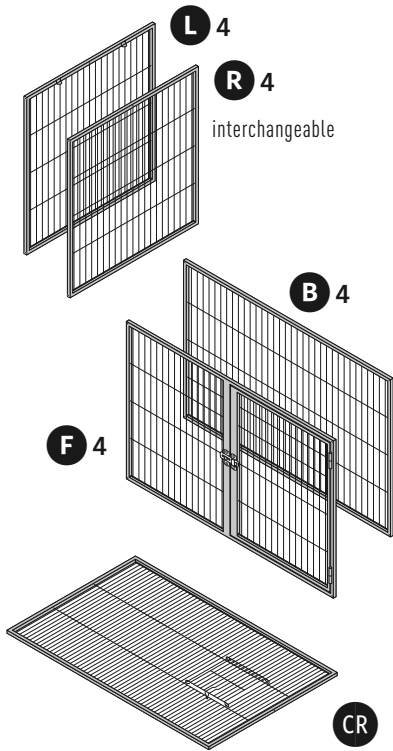
Repeat the assembly of Step 3 with the duplicate panels: front & back panels (F3, B3 – with brackets) and side panels (L3, R3). Attach together with hex screws in the top and bottom corners.

Place the midlevel floor (CM – with divider door) in place and secure it with hex screws, one on each end.



5 PIECES

× 10

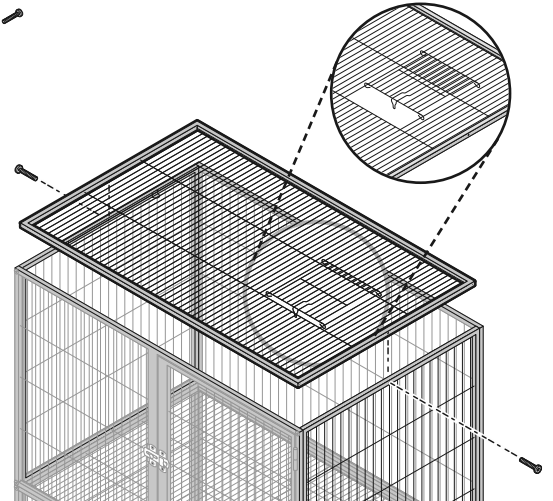


Repeat the assembly method from Steps 3 & 4:

The remaining front & back panels (F4, B4) will not have brackets in the upper corners.

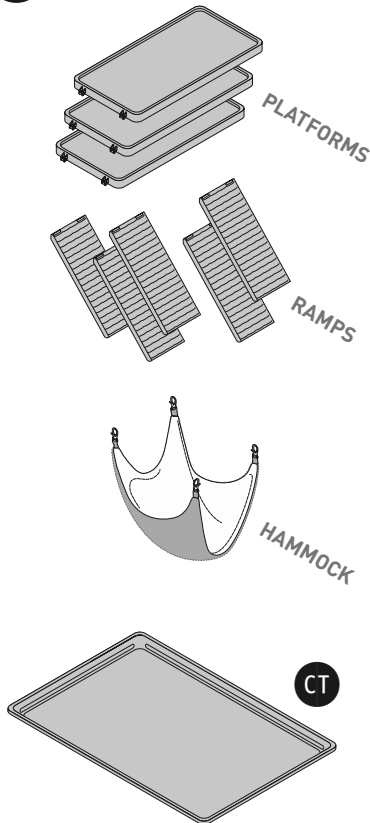
Add and attach front, back, and side panels (R4, L4) as before, with hand-tightened hex screws at the top and bottom corners.

→ Place the roof (CR - with the non-removable sliding door) in position and attach with a hex screw on each end.



Tighten the screws over the entire cage with the hex key until all screws are snug.

6 PIECES

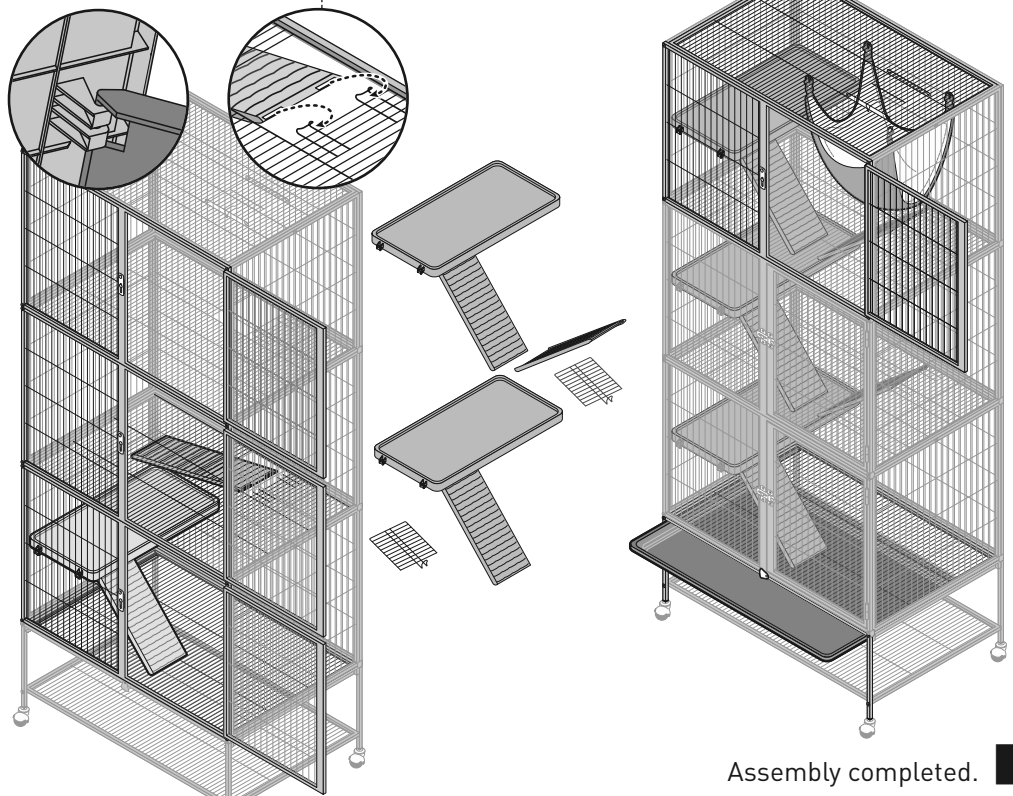


Hook a ramp onto the platform and positioned at the cage-front end. Place the platform/ramp in the lower level, on the middle horizontal wire.

Remove the divider door. Hook a ramp on the wire loops, and rest the other end on the platform below. NOTE: The divider may be reattached with the ramp installed.

Install the remaining platforms and ramps in the same manner.

Add the hammock. Rotate the windbell lock up and slide the tray into place.



Assembly completed.