



52" 9-Drawer Mobile Workstation



Your tools. Your shop.™

Mobile Workstation: 96520955



Welcome to the big leagues

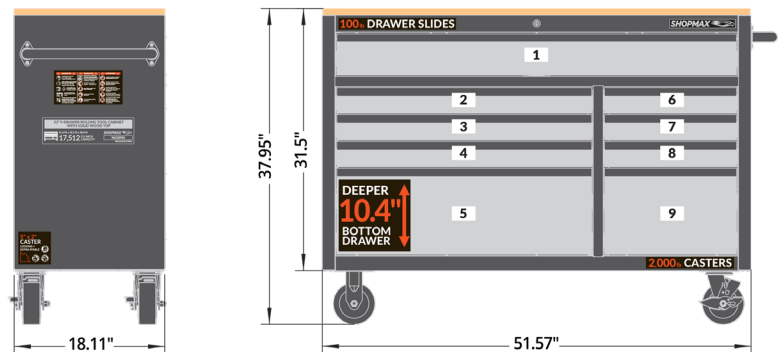
You're in the big leagues, now. This **SHOPMAX® 9-Drawer Mobile Workstation** is narrow enough to fit along your garage wall, while still holding 17,512 in³ of all the tools you need to finish that project. Heavy duty casters and sturdy side handle let you move it wherever you need. Everything about this workstation is designed for heavy usage and maximum secure storage, starting with an all-welded, 20-ga. steel construction, and an industrial-strength powdercoated finish. Holds up to 1,200 lb. of your tools and equipment. Larger, heavier items can find their home in the 10.4"-deep bottom drawers w/ dual ball bearing drawer slides.

- **17,512 in³** total storage space for all your hardware
- **51.57"W x 18.11"D x 37.95"H** combined outside dimensions (w/ top)
- **20-gauge all-welded steel construction**
- **Four 5" x 2" casters**, four swivel/locking and two static
- **100-lb capacity, full-extension ball-bearing drawer slides**
- **Soft-close drawers** never slam shut
- **Industrial strength powdercoat** paint finish resists scratches and peeling
- **Butcher-block solid wood top** with protective coating
- **Internal keyed locking system** w/ 2 keys

PRODUCT SPECIFICATIONS*

Product Width / Nominal Width (in.)	51.57 / 52
Product Depth (in.)	18.11
Product Height (in.)	37.95
Product Weight (lb.)	201.6
Steel Frame Thickness (ga.)	20
Drawer Slide Weight Rating (lb.)	100
Weight Capacity (lb.)	1,200
Holding Capacity (cu in.)	17,512
Casters Size (in.)	5 x 2
Number of Drawers	9
Drawer #s / Dimensions (in.)	1 / 47.23 x 15.79 x 4.95
(W x D x H)	2-4 / 29.83 x 15.79 x 3.05
	5 / 29.83 x 15.79 x 10.35
	6-8 / 15.04 x 15.79 x 3.05
	9 / 15.04 x 15.79 x 10.35
Warranty	3-Year Limited

*Preliminary specs, subject to change.



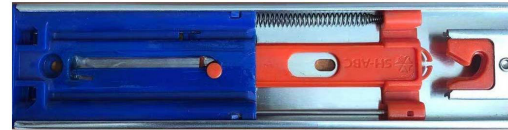
Outside dimensions and drawer numbers



10.4" Deep bottom drawers w/ dual slides for larger, heavier items

Soft close, smooth opening

All nine drawers have ball-bearing drawer slides for smooth opening and closing, while rated for up to **100 lb** of tools and hardware. Each drawer also has a **soft-close mechanism w/ built-in secure latching system**, so drawers never slam shut, tools stay where you put them, and the drawers will never slide open during movement.



The two bottom drawers are deep enough to hold larger power tools or bulkier items; and the wide top drawer is great for organizing tool sets. The beautiful butcher-block style **solid-wood top w/ protective coating** makes for the perfect project work area.

Push, roll, and lock

The side of the cabinet features the sturdy, steel push handle (below) for moving the workstation exactly where you need it. Then, lock it down with the heavy-duty locking casters and get to work!



Four 5" x 2" heavy-duty casters support 2,000 lb

