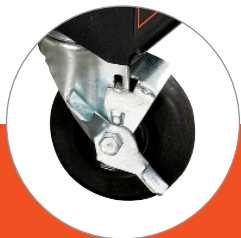




# 27" 3-Drawer Mobile Workstation

*w/ Removable Wood Work Surface and Hidden Storage*



Your tools. Your shop.™

Mobile Workstation: 962703A7

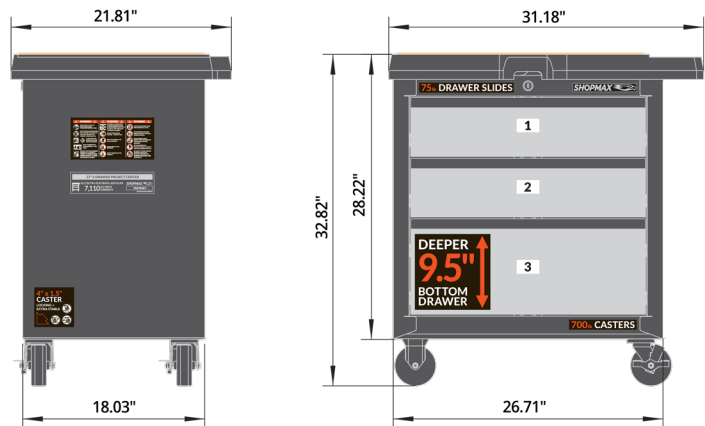


## Work here. Store there. Roll everywhere.

The SHOPMAX® 3-Drawer Mobile Workstation is your ultimate space-saving work station and tool storage solution. Everything about this workstation is designed for heavy usage and versatile storage. Features all-welded, 21-ga. steel construction and industrial-strength powdercoated finish. Drawers are equipped with ball-bearing slides that glide smoothly and keep your tools in place when opening and closing. Deep bottom drawer w/ dual slides can handle larger, heavier equipment. Internal keyed locking system keeps everything safe and secure.

- **7,110 in<sup>3</sup>** total storage space for all your hardware
- **31.18"W x 21.81"D x 32.82"H** combined outside dimensions (w/ top)
- **21-gauge steel construction** provides reliability and durability
- **Four 4" x 1.5" casters**, two swivel/locking and two static
- **Additional tray storage** under removable top surface
- **Three heavy-duty drawers w/ 75-lb ball-bearing drawer slides**
- **Internal keyed locking system** w/ 2 keys
- **Industrial strength powdercoat** paint finish resists wear and tear

PRODUCT SPECIFICATIONS*	
	cabinet   w/ top
Product Width (in.)	26.71   31.18
Product Depth (in.)	18.03   21.81
Product Height (in.)	31.30   32.82
Product Weight (lb.)	76.3
Steel Frame Thickness (ga.)	21
Drawer Slide Weight Rating (lb.)	75
Weight Capacity (lb.)	600
Holding Capacity (cu in.)	7,110
Number of Drawers	3
Drawer Dimensions (in.) W x D x H	1-2 / 22.43 x 15.02 x 5.83 3 / 22.43 x 15.02 x 9.45
Warranty	3-Year Limited



\*Preliminary specs, subject to change.



*Stow the work surface while grabbing your hand tools*

## Store galore.

If you're looking for organizing and being able to efficiently store your hand tools and other work items, you've got the right workstation. The fiberboard (MDF) top work surface is durable and never warps. Remove the top to reveal the tray compartments, where you can keep everything at your fingertips while working on your current project.



*Removable top work surface, revealing more storage*

The back side of the molded top storage unit features a cord wrap to keep your extension cord tidy at hand. The cord wrap also contains holes for screwdrivers, keeping them at the ready for your projects.

## That's a wrap.



*Narrow enough to fit in even tight spaces*