

P 7843

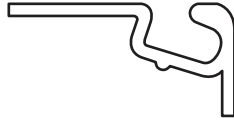
## Flat Screening Spline

## Installing Flat Screening Spline

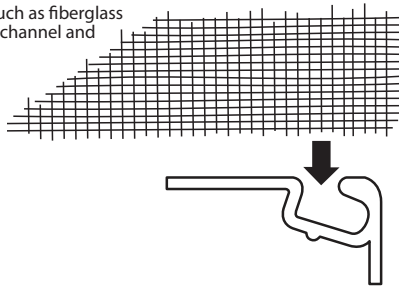


1. This is the profile shape of the frame used on screened in patios or lanais. The shape is different than standard screen frame channel.

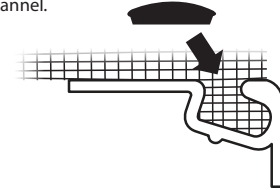
Flat screen spline is used instead of standard round, serrated hollow core spline. A flat spline is used and will need to get the right height and width for it to fit correctly.



2. Screen fabric such as fiberglass is laid over the channel and pushed in.

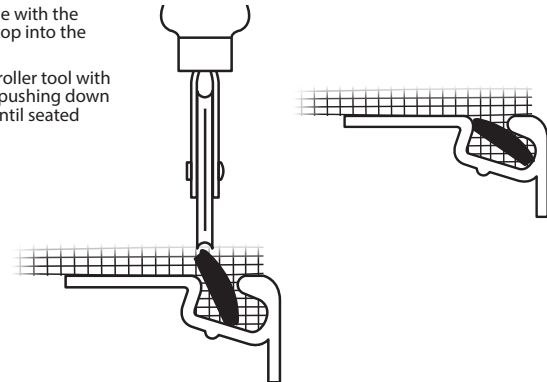


3. The flat spline is positioned over the channel.



4. Angle the flat spline with the rounded edge on top into the channel.

Then use a screen roller tool with the concave roller pushing down on the flat spline until seated into the channel.



INS-7843

©2024 Prime-Line

1980 Orange Tree Lane, Suite 100, Redlands, CA 92374

For warranty information and other available finishes,  
visit our website: [primeline.net](http://primeline.net)