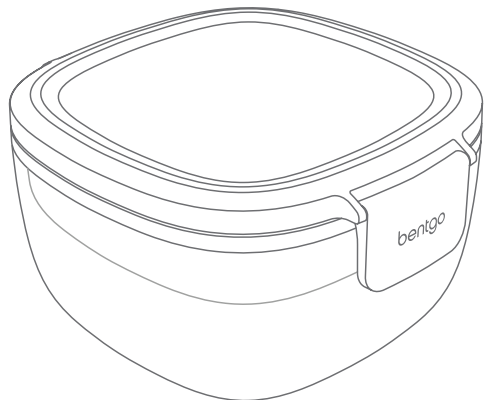


bentgo[®] glass

User's Manual



The Bentgo Glass Leak-Proof Salad Container makes it easy and convenient to eat healthy salads on-the-go. With a large glass bowl for fresh greens plus a compartment tray for salad toppings and dressing, it's the ideal lunch box for salad lovers.

Features

- Air-tight, leak-proof lid with locking clips seal in freshness.
- Leak-proof sauce container keeps dressing mess-free.
- Top-rack dishwasher safe. To preserve leak-proof silicone seal we recommend hand washing all lids.
- Compartment tray holds salad toppings and snacks.
- Food-grade safe – no BPA, PVC, phthalates, lead, or vinyl

Using Your Bentgo Glass

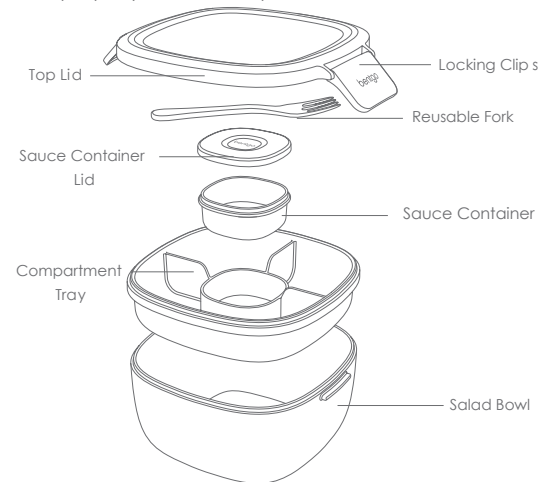
1. Lift the locking clips on the lid to open.
2. Remove the compartment tray and sauce container. Add salad toppings to each compartment and fill sauce container with dressing. Secure the sauce container lid before inserting it back in the compartment tray.
3. Fill the salad bowl with greens.
4. Stack the compartment tray back inside the salad bowl and secure the top lid with the locking clips.
5. Bentgo Glass comes with a reusable fork that is stored on the underside of the lid. To store the reusable fork, insert it facing down so that the fork tines are touching the lid.

Cleaning Bentgo Glass

- Wash before initial use. Salad bowl and compartment tray are top-shelf dishwasher safe.
- Hand wash the top lid and sauce container lid in warm soapy water to preserve their air-tight seal.

Stacking Bentgo Glass

We designed the Bentgo Glass Leak-Proof Salad Container to stack easily and securely to keep your salad fixings fresh and in place while on-the-go. The illustration below demonstrates how to properly stack each piece.



Warnings

- Glass bowl is oven-safe. Remove the top lid, compartment tray, and sauce container before putting the bowl in the oven.
- Compartment tray is microwave-safe. Do not microwave longer than 3 minutes.
- To ensure mess-free opening and closing of Bentgo Glass, do not overfill the sauce container, salad bowl or compartment tray.

Product Warranty

Bentgo offers an industry-leading 2 Year Warranty. If you have warranty or product questions, please contact us directly at:

Email: support@bentgo.com

Phone: (657) 275-3738

(Available Monday-Friday, 8am-5pm PST)

Specifications

Container Dimensions	7.6" x 7" x 4"
Capacity	Bowl: 61 oz Sauce Container: 3 oz Small Compartments: 5 oz each Large Compartment: 10oz

Materials*

Salad Bowl	Glass
Top Lid & Reusable Fork	ABS Plastic
Sealing Ring	Silicone
Sauce Container Lid	PE
Compartment Tray and Sauce Container	PP

*All materials are food-grade safe and eco-friendly

bentgo[®]

Santa Ana, CA 92704
bentgo.com

REV: 06-2021