



5 YEAR
WARRANTY

MISTAIRE EVA 4-SPEED EVAPORATIVE HUMIDIFIER



USER MANUAL
MODEL: PEHUMEVA

WARNINGS AND PRECAUTIONS

Read this entire instruction manual before operation. Be sure to comply with all “CAUTIONS” and “WARNINGS”. Failure to adhere to the following instructions can cause harm to you or the device.



Only use product as outlined in this manual. Using the humidifier for unintended purposes may result in serious injury.

- To reduce the risk of burns, electrical shock, fire, and accident, use this product only in accordance with the following instructions.
- Disassembly, repair, or remodeling by an unauthorized person may result in serious harm and will void the manufacturer’s warranty.
- Always place this humidifier on a firm, flat, level, and moisture-resistant surface. This humidifier may not work properly on an uneven surface. Keep the humidifier at least 6 inches away from walls for best results. The manufacturer does not accept any liability for damage in the case of the product being placed incorrectly.
- Do not place this product on cloth, carpet, or an absorbent surface. This may block air inlet.
- Do not place this product near any other electronic device or near a sink.
- Do not use this product in direct sunlight or near a heat source such as a stove, heater or radiator.
- Do not cover the air intake or the air outlet with a cloth or hand at any time during use.
- Turn off and unplug the product before moving or filling the tank or moving the unit.
- Do not add hot or boiling water. Use only cold water (tap, distilled, mineral, or other drinking water).
- Only fill the tank after removing the top housing. Do not exceed the MAX water level mark.
- Do not fill water through the air outlet on the top side of the humidifier.
- Do not submerge the unit in water or pour water on the unit or in the air outlet.
- Do not drink the water used in the tank.
- Do not use if the plug is damaged or loose.
- Once the humidifier has been plugged in, do not tilt or move the unit.
- Do not remove or handle the plug with wet hands.

WARNINGS AND PRECAUTIONS (CONTINUED)

- Do not excessively bend, twist, pull or damage the power cord.
- Unplug the cord when the unit is not in use for an extended period of time and/or when no one is home.
- When unplugging from the outlet, hold the humidifier securely.
- Do not place the power cord over objects.
- Do not get water in or on the power cord or where it connects to the product.
- Do not touch the water tank during operation.
- Do not put anything on or in the tank.
- If the water tank becomes cracked or damaged, do not use the humidifier.
- Do not leave water in the tank when not in use for an extended period of time.
- Use only the cleaner and additives recommended by the manufacturer to clean the water tank.
- The use of water additives including essential oils, fragrances, water conditioners, etc. will damage the product. NEVER use detergents, gasoline, glass cleaner, furniture polish, paint thinner, or other household solvents to clean any part of the humidifier.
- Use only the genuine filter from the manufacturer to ensure the performance of the product.
- Bacteria and mold can form on the filter if the humidifier is not used for an extended period of time. Inspect the filter before using the humidifier again. The filter should be replaced if contaminated.
- Keep this product out of the reach of children and pets.
- Please email Customer Service at help@pureenrichment.com if the humidifier needs repair. Do not try to repair it yourself.

PRODUCT SPECIFICATIONS

Size:	9.3" (L) x 9.3" (W) x 13.4" (H)
Power:	100-240V, 60Hz, 12W
Max Room Coverage:	Up to 500 sq. ft.
Max Run Time:	≥28 hours (Level I); ≥17 hours (Level II); ≥11 hours (Level III); ≥8 hours (Turbo)
Tank Capacity:	2.8 liters (0.74 gallons)
Max Moisture Output:	300ml per hour ±20% (70F, 30%RH)

FCC NOTICE

Model: MistAire Eva 4-Speed Evaporative Humidifier (PEHUMEVA)

This device complies with part 18 of the FCC Rules.

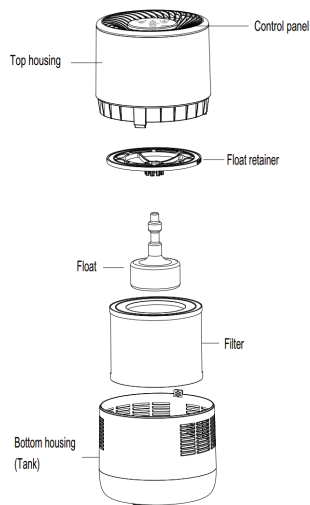
Pure Enrichment
2803 S. Yale St.
Santa Ana, CA 92704
pureenrichment.com

This equipment generates, uses and can radiate radio frequency energy and, if not installed and used in accordance with the instructions, may cause harmful interference to radio communications. The equipment should be maintained as discussed in this manual. Changes or modifications not expressly approved by Pure Enrichment will void the user's authority to operate the equipment. If this equipment does cause harmful interference to radio or television reception, which can be determined by turning the equipment off and on, the user is encouraged to try to correct the interference by one or more of the following measures:

- Reorient or relocate the receiving antenna.
- Increase the separation between equipment and receiver.
- Connect the equipment to an outlet that is on a different circuit than the receiver.
- Consult the manufacturer or an experienced TV/radio technician for help.

INTRODUCTION

Thank you for purchasing MistAire Eva from Pure Enrichment. Our powerful antimicrobial* evaporative humidifier is the perfect solution for moisturizing dry air in your home or office.



PRODUCT FEATURES

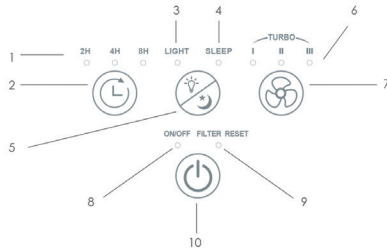
We designed MistAire Eva with several features that make it one of the most effective evaporative humidifiers in its price class. These include:

- 2.8-Liter Water Tank
- Antibacterial Filter*
- Intuitive Control Panel
- 4 Speed Settings (Levels I, II, III, and Turbo)
- Auto Shut-Off Timer (2hr, 4hr, 8hr)
- Sleep Mode
- Auto Dry Mode (keeps the filter dry between uses)
- Optional Night Light with Color Choice Technology

**prolongs filter life and decreases odors*

BUTTON AND DISPLAY INSTRUCTIONS

The diagram below highlights all of the important features of the control panel.



- | | |
|---------------------------------|---------------------------------|
| 1. Timer Indicator Lights | 6. Fan Speed Indicator Lights |
| 2. Timer Button | 7. Fan Speed Button |
| 3. Night Light Indicator Light | 8. On/Off Indicator Light |
| 4. Sleep Mode Indicator Light | 9. Filter Reset Indicator Light |
| 5. Night Light and Sleep Button | 10. On/Off Button |

BEFORE USING

Check for leaks - Damage to the product during shipping may cause leaks.

- Place humidifier on a water-resistant surface.
- Lift and remove the top housing by holding the sides of the housing. Do not lift from the control panel.
- Remove the filter and float from the tank.
- Fill the tank with water to the fill line and inspect for leaks.
 - No leak found: Empty water from the tank and continue setting up your humidifier.
 - If a leak is found: Please contact Customer Service and we will immediately replace the damaged parts.
- Select a firm, level, and flat location to position the humidifier.
- Place the float into the tank.
- Remove the filter from the plastic packaging and place the filter back inside the tank. Make sure the plastic portion of the filter is installed upwards and the open end is facing the bottom of the tank and is flush with the base.
- Add water to the MAX fill line of the tank.
- Reattach the top housing of the unit and securely latch into place.

HOW TO USE THE HUMIDIFIER

POWER

- Press the On/Off button to turn the unit on.
 - 1st Press: ON, speed I (Low), 7-color changing night light, timer off.
 - 2nd Press: OFF.

NOTE: The “FILTER RESET” light will turn on when it’s time to replace the filter. Please see the instructions on Installing and Removing the Filter.

TIMER CONTROL

- Press the Timer button to select your preferred operating time of 2-, 4-, or 8-hours. The timer indicator light will show the selected operating time and the unit will stop automatically when the selected operating time has elapsed.
 - To select the continuous operating mode, press the Timer button repeatedly until there are no timer indicator lights on.

NIGHT LIGHT AND SLEEP CONTROL

- Press the Night Light/Sleep button to turn on/off the night light and turn on sleep mode.

NOTE: The night light will automatically rotate through 7 colors when the unit is turned on.

- 1st Press: Fixed on one color after the indicator light flashes for 3 seconds.
- 2nd Press: Sleep Mode. The sleep indicator light will turn on and flash for 5 seconds. All lights (except the sleep indicator light) will turn off and the fan speed and timer will stay on the settings already chosen.
- 3rd Press: Both Night Light and Sleep Mode will be turned off.

NOTE:

- Press the Night Light/Sleep button before the 5-second flashing time ends to exit sleep mode.
- You can press other buttons before the 5-second flashing time ends and change the other settings before the humidifier goes into sleep mode.
- Under sleep mode, press any button to exit sleep mode and resume previous settings.
- If the timer period ends under sleep mode, the unit will be turned off. Press the power button to restart the unit.

HOW TO USE THE HUMIDIFIER (CONTINUED)

SPEED CONTROL

4. The fan speed of the unit can be adjusted when the unit is in operation.

The default speed, when turned ON, is Speed I (Low).

- a. 1st Press: Speed II (Medium)
- b. 2nd Press: Speed III (High)
- c. 3rd Press: Speed Turbo
- d. 4th Press: Return to Speed I (Low)

LOW WATER/EMPTY STATUS

When the unit runs out of water, the power indicator light will light up solid RED, and the unit will run at speed I for a continuous 10 hours. During the 10 hours, you can choose any speed to dry the filter as desired.

- The time needed for drying the filter at Turbo/III/II/I speed is 3/5/7/10 hours.
- Once the continuous operation period ends, the humidifier will shut off automatically.
- If you choose another speed during the continuous operation, the unit will continue to run for the hours needed to dry the filter at the speed chosen.
 - For example, if you change the speed to Turbo after the unit has been running for one hour at speed I, the unit will run 3 more hours before it shuts off.
- At the end of the continuous operation period, there will still be a residual amount of water in the tank.
 - Remove the filter and allow to dry.
 - Wipe down the tank with a soft cloth to remove any residual water.

NOTE:

- If the unit is accidentally turned off during the continuous operation period, the unit will go back to the previous settings when turned on again.
- If you press the power button after the unit shuts off automatically, the RED indicator will light up solid for 5 seconds and the unit will shut off again until the water is refilled.

INSTALLING AND REMOVING THE FILTER

NOTE: The filter will last approximately 6 months, depending on local air quality and water hardness.

The “FILTER RESET” light will turn on when it's time to replace the filter.

1. Lift and remove the top housing by holding the sides of the housing. Do not lift from the control panel.
2. Remove the filter from the tank and insert the new filter into the unit. Make sure the plastic portion of the filter is installed upwards and the open end is facing the bottom of the tank and is flush with the base.
3. Add water to the MAX fill line of the tank.
4. Reattach the top housing of the unit and securely latch into place.
5. Press and hold the Power button for 3-5 seconds to reset the Filter Reset indicator.

CLEANING & MAINTENANCE

Turn the unit off and disconnect the power plug before cleaning.

NOTE: Be sure you are near a sink or other water-resistant area before cleaning.

1. Daily maintenance

- a. Fill the tank with clean water and clean it with warm water and a soft cloth once every 1 to 2 days.

2. Cleaning the tank

- a. Lift and remove the top housing.
- b. Remove the filter and the float.
- c. Rinse the tank using warm water and a soft cloth.
- d. Install the float and filter and make sure they are installed securely and correctly

3. Cleaning the housing

- a. Wipe with a soft damp cloth.
- b. Use a solution of 50:50 vinegar and water or a 3:1 solution of vinegar essence and water. Do not use abrasive or corrosive cleaners.

4. Cleaning the evaporation mat

- a. Remove the filter from the tank.
- b. It may be rinsed and soaked in clean water. Low-pressure flushing is recommended. The cleaning time should not exceed 8 minutes.
- c. Water temperature should not exceed 60 degrees. Slight discoloration may occur when cleaned with water at 60 degrees.

CLEANING & MAINTENANCE (CONTINUED)

d. Weak acid and weak alkaline washing supplies can be used for cleaning.

e. The evaporation mat absorbs a large amount of water, which will reduce the stiffness of the filter. After drying it, the stiffness will resume to 85% or above of the normal value.

STORAGE

- Turn off and unplug the unit before storing it.
- Carefully clean the unit. Make sure all parts are clean and dry prior to storing the product.
- Do not leave water in the tank, this may result in mineral deposits and promote the growth of mold or other microorganisms.
- Store the humidifier in a cool and dry location. Keep away from direct sunlight.

TROUBLESHOOTING

If you are having problems with your humidifier, see if one of the solutions below can resolve the problem before contacting the manufacturer.

Problem	Solution
Humidifier does not work	Check that the unit is properly plugged in and the electrical outlet is working.
	Check that the water tank is filled with water.
	Check that the top housing and filter are installed correctly.
Air humidity does not change	Check that the filter is clean. Please clean the filter if it is heavily soiled.
	Check that the room where the humidifier is in use is not excessively ventilated. Close the doors and windows.
	Check if the size of your room corresponds to the recommended size for this product.

If your problem is not resolved by the solutions listed above, contact Pure Enrichment for assistance by emailing help@pureenrichment.com.

WARRANTY

MistAire Eva comes with an industry-leading 5 Year Warranty that begins on the date of purchase.

The warranty applies to the humidifier and necessary parts and labor relating thereto. The warranty does not apply to damage resulting from failure to follow the operating instructions, accidents, abuse, alterations, or disassembly by unauthorized individuals.

PRODUCT REGISTRATION

To ensure your full warranty and to receive product updates and streamlined customer support, remember to register your product at:

pureenrichment.com/productregistration

ARE YOU 100% SATISFIED?

If you have product questions or concerns, don't hesitate to contact us directly at:

Email: help@pureenrichment.com

Phone: (657) 275-3737

(Available Monday-Friday, 8am-5pm PST)

Pure Enrichment has an award-winning warranty, exchange, and customer service program that guarantees hassle-free solutions to any issue you might have within 24 hours!



Santa Ana, CA 92704
pureenrichment.com

REV: 10.08.21