

pore
enrichment

5 YEAR
WARRANTY

HUME

ULTRASONIC COOL MIST HUMIDIFIER



USER MANUAL
MODEL: PEHUME

TABLE OF CONTENTS

WARNINGS AND PRECAUTIONS	3-4
FCC NOTICE	5
INTRODUCTION & PRODUCT SPECIFICATIONS	6
USING THE HUMIDIFIER	7
CLEANING	8-9
TROUBLESHOOTING.....	10
WARRANTY & PRODUCT REGISTRATION.....	11

WARNINGS AND PRECAUTIONS

Read this entire instruction manual before operation. Be sure to comply with all “CAUTIONS” and “WARNINGS”. Failure to adhere to the following instructions can cause harm to you or the device.



Only use product as outlined in this manual. Using the humidifier for unintended purposes may result in serious injury.

- **CAUTION:** To reduce the risk of burns, keep this product out of the reach of children and pets.
- Disassembly, repair, or remodeling by an unauthorized person may result in serious harm and will void the manufacturer’s warranty.
- Always place this humidifier on a firm, flat level surface. This humidifier may not work properly on an uneven surface.
- Do not place this product on cloth, carpet, or an absorbent surface. This may block air inlet.
- This product releases mist. Do not place this humidifier directly on wood furniture, flooring, or any surfaces that could be damaged by water. Manufacturer does not accept any liability for damage in the case of the unit being placed incorrectly.
- Do not use if the plug is damaged or loose.
- Before filling or cleaning the unit, make sure it is unplugged.
- Once the humidifier has been plugged in, do not tilt or move the unit.
- Do not remove the water tank from the unit while it is on.
- Do not handle the plug with wet hands.
- Do not excessively bend, twist, pull or damage the power cord.
- Avoid placing this product where the mist nozzle is pointed directly at an object or person.
- Do not inhale the mist/vapor expelled from the product or drink water from the tank.
- Do not fill the water tank with hot or boiling water.
- Do not use this product in direct sunlight or near a heat source such as a stove, heater or radiator.
- If the water tank becomes cracked or damaged, do not use.

WARNINGS AND PRECAUTIONS

- Unplug the cord when the unit is not in use for an extended period of time and/or when no one is home.
- Do not keep water in the tank when not in use for an extended period of time.
- Use only the mild cleaners and additives recommended on Pages 8-9 of this manual to clean the water tank.
- Do not use this product near any other electronic device.
- Do not cover the mist nozzle at any time during use.
- Do not put anything on or in the tank.
- When unplugging from the outlet, hold the humidifier securely.
- Do not place the power cord over objects.
- Do not get water in or on the power cord or where it connects to the product.
- Do not use when plugged in near a sink.
- Do not touch the water tank during operation.
- Do not submerge the unit in water or pour water on the unit or in the mist nozzle.
- Do not cover the mist nozzle with a cloth or hand and do not use without the mist nozzle.
- Use only clean tap water or distilled water in the tank. Hard water areas will require more frequent cleaning.
- **The use of water additives including essential oils, fragrances, eucalyptus, water conditioners, etc. will damage the appliance materials, and as a consequence, the whole unit.**

FCC NOTICE

Model: Hume Ultrasonic Cool Mist Humidifier (PEHUME)

This device complies with Part 18 of the FCC rules.

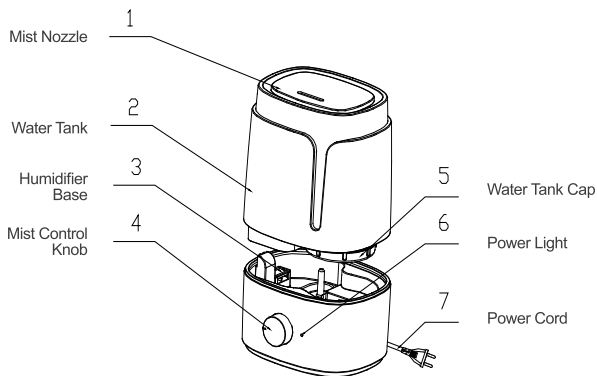
Pure Enrichment
14505 Astronautics Lane
Huntington Beach, CA 92647
www.pureenrichment.com

This equipment generates, uses and can radiate radio frequency energy and, if not installed and used in accordance with the instructions, may cause harmful interference to radio communications. The equipment should be maintained as discussed in this manual. Changes or modifications not expressly approved by Pure Enrichment will void the user's authority to operate the equipment. If this equipment does cause harmful interference to radio or television reception, which can be determined by turning the equipment off and on, the user is encouraged to try to correct the interference by one or more of the following measures:

- Reorient or relocate the receiving antenna.
- Increase the separation between the equipment and receiver.
- Connect the equipment into an outlet on a circuit different from that to which the receiver is connected.
- Consult dealer or experienced radio/TV technician for help.

INTRODUCTION

Thank you for purchasing the Hume Ultrasonic Cool Mist Humidifier from Pure Enrichment. This sleek and modern humidifier is the perfect solution for moisturizing the dry air in your home and office. The diagram below explains all of the pieces you will find inside the box. Setup is quick and easy, but be sure to follow all instructions to ensure safe and effective use.



PRODUCT SPECIFICATIONS

Size:	8.3" (L) x 6.7" (W) x 11.8" (H)
Power:	120V, 60Hz, 25W
Max Room Coverage:	Up to 270 sq. ft.
Max Run Time*:	12 hours on high
Tank Capacity:	3.5 Liters (.92 Gallons)
Max Moisture Output:	300ml/h on high 70ml/h on low
Noise	<35dB

**Run time may vary depending on water quality, room temperature, and the amount of water in the tank.*

PRODUCT FEATURES

- Variable mist settings from low to high
- Large water tank opening for easy cleaning by hand
- Automatic shut-off protection when the water tank is empty
- Automatic shut-off protection when the water tank is removed from the base
- Integrated body design for whisper-quiet operation
- High-quality, industrial strength ceramic transducer with glaze to resist water scale and prolong the life of the humidifier.

USING THE HUMIDIFIER

1. Place Hume on a flat surface. Lift the water tank from the base and unscrew the water tank cap.
2. Fill the water tank with clean, room-temperature tap water or distilled water and close the water tank cap.
3. Put the water tank back onto the base and plug in the humidifier.
4. To adjust the mist output from low to high, turn the mist control knob clockwise.
5. To adjust the mist output from high to low, turn the mist control knob counterclockwise.
6. When the humidifier runs out of water, the power light will turn from blue to red and the unit will shut off automatically.
7. Refill the water tank to continue using the humidifier

CLEANING

Always unplug the humidifier before servicing it in any way.

General Cleaning

Inside the base of the unit. Pour any excess water out of the base. Wipe the base with a soft damp cloth. Use a mild detergent if necessary. Rinse with clean water.

Water tank. Empty the water tank. The unit's large tank opening makes it easy to clean the inside of the tank by hand with a soft cloth or sponge dipped in mild detergent. Wipe away any scale and rinse with clean water.

Outer surface of the unit. Wipe the surface of the humidifier, including the mist nozzle, with a soft, damp cloth if needed.

Descaling

Depending on usage and water type, cleaning to remove scale may be required weekly or every other week to optimize unit performance.

If you live in a hard water area, we recommend distilled water for your humidifier to help reduce the precipitation of minerals or white dust.

Do not clean the unit or water tank with harsh detergents or cleaning chemicals. A decalcification cartridge may be used to keep the water tank free of hard mineral deposits. **Visit www.pureenrichment.com to purchase the appropriate decalcification cartridge for this humidifier.**

Ultrasonic Disk

Unplug the humidifier.

Remove the tank and empty all water from the tank and base.

Locate the ultrasonic disk on the inside of the base.

Use **ONLY** a soft cleaning brush to gently clean disk and remove buildup and calcium deposits.

NOTE: Do not scrub or scrape the ultrasonic disk.

CLEANING

If scale becomes difficult to remove with a brush:

Fill the Base with: mixture of 1 tsp. white vinegar and 1 tsp. water.

Let solution stand for 5 minutes.

With the vinegar in the base, clean all interior surfaces with a soft cloth or brush to help remove scale.

Also check the mist nozzle. Clean as needed.

Rinse the base thoroughly with water to remove scale and vinegar solution.

If minerals in the water are producing a white dust, you may use a decalcification cartridge to keep the tank clean.

End of Season Storage

Follow the General Cleaning and Descaling instructions when the humidifier will be stored at the end of the season.

Dry the humidifier completely before storing. **DO NOT** store with water inside the base or water tank.

Pack the unit in its original box and store in a cool, dry location.

NOTE: IF YOU EXPERIENCE A PROBLEM, DO NOT ATTEMPT TO OPEN THE MOTOR HOUSING BY YOURSELF. DOING SO MAY VOID YOUR WARRANTY AND CAUSE DAMAGE TO THE HUMIDIFIER OR PERSONAL INJURY.

TROUBLESHOOTING

If you are having problems with your humidifier, see if one of the solutions below can resolve the problem before contacting the manufacturer.

Problem	Solution
No mist coming out	Power plug: Unplug and then try again. Power failure: When power returns, try again. Tank installation: Ensure tank is attached properly. Dirty ultrasonic disk: Clean disk (see pg. 8)
Abnormal mist	Excessive water: Pour out extra water. Residue inside tank: Wash tank and try again. Dirty ultrasonic disk: Clean disk (see pg. 8) If you use hard water, replace with softer water.
Bad/strange smell	Unit is new: Clean water tank as instructed, then use after air drying Poor maintenance or dirty water: Clean humidifier thoroughly, and fill with fresh water.
White dust is forming on nearby furniture	Hard water may deposit a certain of dust: Dust in the air also settles because of added humidity in the room. Use distilled water if it persists.
Unit shut off automatically	No or low water: Unplug unit and refill tank.
Mist is accumulating around the unit	Saturation of humidity: Lower mist control setting. Unit not level and water is accumulating: Unplug and place on level surface. Point mist nozzle away from objects: Raise unit on a water-resistant level surface 2-3 feet off of floor.
Unit making a loud noise	Unit must be placed on a flat, level, hard surface: Make sure it is NOT placed on a soft or absorbent surface.
Indicator light is flashing from blue to red to blue	Unit is running low on water: Refill the water tank with fresh water.

WARRANTY

The Hume Ultrasonic Cool Mist Humidifier comes with an industry-leading 5 Year Warranty that begins on the date of purchase.

The warranty applies to the humidifier and necessary parts and labor relating thereto. The warranty does not apply to damage resulting from failure to follow the operating instructions, accidents, abuse, alterations, or disassembly by unauthorized individuals.

PRODUCT REGISTRATION

To ensure your full warranty and to receive product updates and streamlined customer support, remember to register your product at:

www.pureenrichment.com/productregistration

ARE YOU 100% SATISFIED?

If you have product questions or concerns don't hesitate to contact us directly at:

help@pureenrichment.com

Pure Enrichment has an award-winning warranty, exchange, and customer service program that guarantees hassle-free solutions to any issue you might have within 24 hours!



Huntington Beach, CA 92647
www.pureenrichment.com