

pore
enrichment

5 YEAR
WARRANTY

PUREDRIY

MINI DEHUMIDIFIER



USER MANUAL
MODEL: PEDEHUM

WARNINGS AND PRECAUTIONS



Read this entire instruction manual before operation. Failure to adhere to the following warnings can cause harm to you or the unit.

- This product is intended for indoor household use only and not for commercial, industrial or outdoor use.
- Close supervision is necessary when any appliance is used by or near children and pets.
- This unit should be kept in an upright position at all times to avoid damage. Always place on a level, flat surface during operation.
- Check the household voltage to ensure it matches the unit's rated specification before operating.
- Ensure that the air inlets and outlets are not blocked or covered.
- Never place anything on top of the unit. Do not cover with any kind of material while in use.
- Do not place the unit too close to curtains or other objects. Allow at least a foot of space between the unit and other objects.
- Do not operate the unit with a damaged cord or plug, after it malfunctions or after it has been dropped or damaged in any way.
- Do not switch the unit on when the water tank is full or when the unit is upside down.
- To prevent electrical shock, do not spray the unit, plug or cord with liquids. Never submerge any part of the unit in water.
- Always unplug the unit when not in use or when moving location. To disconnect from the power supply, grip the plug and pull from the power socket. Never pull by the cord.
- Never unplug the power cord with the unit turned on.
- Do not run power cord under carpeting, or cover with rugs or runners. Arrange the cord away from areas where it may be tripped over.
- Where possible, avoid the use of an extension cable as they may overheat and cause a risk of fire. Only use an extension cord after ensuring it is in perfect condition.
- Never operate or store the unit in direct sunlight.
- Always empty the water tank before storing the unit away.
- To repair the unit, take it to a qualified service engineer. Repairs carried out by unqualified people may cause damage to the unit or injury to persons or property and void the warranty.

FCC NOTICE

Model: PureDry Mini Dehumidifier (PEDEHUM)

This device complies with part 15 of the FCC Rules. Operation is subject to the following two conditions: (1) This device may not cause harmful interference, and (2) this device must accept any interference received, including interference that may cause undesired operation.

Pure Enrichment
2803 S Yale St.
Santa Ana, CA 92704
www.pureenrichment.com

The product is protected against unauthorized use. DO NOT modify without manufacturer's authorization, or user's authority to operate could be voided.

Note: This equipment has been tested and found to comply with the limits for a Class B digital device, pursuant to part 15 of the FCC Rules. These limits are designed to provide reasonable protection against harmful interference in a residential installation. This equipment generates, uses and can radiate radio frequency energy and, if not installed and used in accordance with the instructions, may cause harmful interference to radio communications. However, there is no guarantee that interference will not occur in a particular installation. If this equipment does cause harmful interference to radio or television reception, which can be determined by turning the equipment off and on, the user is encouraged to try to correct the interference by one or more of the following measures:

- Reorient or relocate the receiving antenna.
- Increase the separation between the equipment and receiver.
- Connect the equipment into an outlet on a circuit different from that to which the receiver is connected.
- Consult dealer or an experienced radio/TV technician for help.

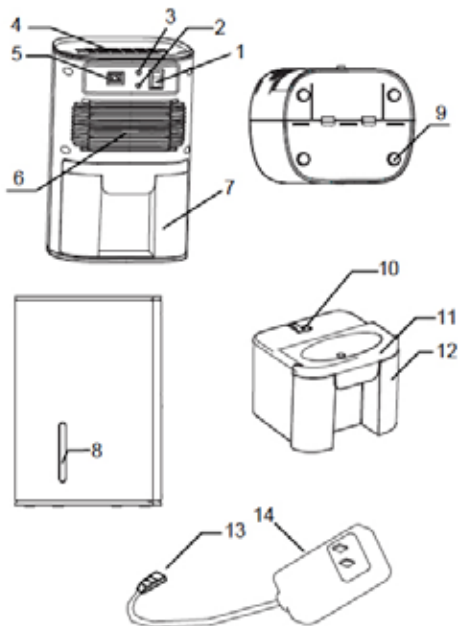
PRODUCT SPECIFICATIONS

Size:	6.2" L x 5.4" W x 9.3" H
Power Supply:	AC: 100-240V, 50/60Hz DC: 9V
Tank Capacity:	27 oz (.8 liters)
Absorption Rate:	Approx. 10 oz per day*
Weight:	2.2 lbs

*Absorption rate may vary depending on room temperature and relative humidity. Estimate is based on 86°F and 80% relative humidity.

INTRODUCTION

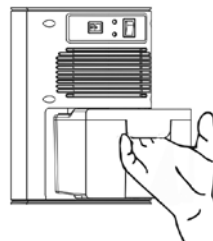
Thank you for purchasing the PureDry Mini Dehumidifier. This portable unit is the perfect size for removing excess moisture from small rooms, closets and bathrooms. The diagram below explains all the pieces you will find inside the box. Setup is quick and easy, but be sure to follow all instructions to ensure safe and effective use.



- | | |
|-------------------------|-------------------------|
| 1. On/Off switch | 8. Water level window |
| 2. "Full" red indicator | 9. EVA feet |
| 3. "On" green indicator | 10. Hydraulic cut-off |
| 4. Dry air outlet | 11. Water tank cover |
| 5. DC power socket | 12. Water tank |
| 6. Air inlet | 13. DC power plug |
| 7. Removable water tank | 14. AC/DC power adapter |

OPERATING INSTRUCTIONS

1. Properly position the unit in the room to be dehumidified by placing it on a flat, level surface. Take care to ensure there is no obstruction blocking the airflow into the air inlet and dry air outlet.
2. Insert the DC power plug into the DC power socket. Plug the AC power adapter into an electrical outlet.
3. Push the On/Off switch to turn the unit on. The green indicator will illuminate to let you know the unit is working.
4. Once the removable water tank is full, the unit will stop working and the "Full" red indicator will illuminate to let you know it is time to empty the tank.
 - To continue using the unit, remove the water tank, empty it, and replace the water tank into the unit, as shown in the diagram below.
 - DO NOT re-use or consume the water collected in the tank as it may contain germs, bacteria, fungi, and microorganisms.



CLEANING & STORAGE

Before cleaning the unit, turn the unit off and unplug it from the power socket to prevent electric shock or accidents.

Cleaning the Exterior of the Unit

- Use a soft, wet cloth to wipe the outside of the dehumidifier.
- Clean only the exterior of the unit. Attempting to clean the inside of the unit may cause product damage or electric shock.

CLEANING & STORAGE

Cleaning the Water Tank

- Remove the water tank and empty any collected water in the kitchen or bathroom sink.
- DO NOT re-use or consume the water collected in the tank as it may contain germs, bacteria, fungi, and microorganisms.
- Place the water tank and water tank cover under warm running water. A soft cloth and mild dish detergent may be used to clean away any residue. Thoroughly rinse away any dish detergent.
- Use a soft towel to dry the water tank and water tank cover or let them air dry before placing them back into the dehumidifier.

CAUTION: Do not use solvents, gasoline, xylene or talcum powder to clean the unit or water tank as this may cause deterioration or corrosion.

Storing the Dehumidifier

If you will not be using the dehumidifier for an extended period, you should store it properly. To store:

1. Empty and clean the water tank. Wipe it dry with a clean, dry cloth, and reinstall it into the unit.
2. Pack the dehumidifier into a box or its original packaging to keep dust from collecting on the unit.
3. Store in a cool and dry place.

WARRANTY

The PureDry Mini Dehumidifier comes with an industry-leading 5 Year Warranty that begins on the date of purchase.

The warranty applies to the dehumidifier and necessary parts and labor relating thereto. The warranty does not apply to damage resulting from failure to follow the operating instructions, accidents, abuse, alterations or disassembly by unauthorized individuals.

PRODUCT REGISTRATION

To ensure your full warranty and to receive product updates and streamlined customer support, remember to register your product at:

www.pureenrichment.com/productregistration

ARE YOU 100% SATISFIED?

If you have product questions or concerns don't hesitate to contact us directly at:

Email: help@pureenrichment.com

Phone: (657) 275-3737

(Available Monday-Friday, 8am-5pm PST)

Pure Enrichment has an award-winning warranty, exchange, and customer service program that guarantees hassle-free solutions to any issue you might have within 24 hours!

TROUBLESHOOTING

Problem	Probable Cause	Solution
Unit is not powering on	Power cable not plugged in	Plug in power cable
	Household circuit breaker	Reset your circuit breaker. If necessary, contact a licensed electrician.
	Unit is damaged or in need of repair	Stop operating and unplug the power source. Contact Customer Service for assistance.
Unit stops dehumidifying/ No air comes out from air outlet.	The water tank is full or the tank is not put in correctly.	Empty the water tank and put it back, or reinstall the tank correctly.
	Fan has overheated causing the unit to stop operation.	The unit will start working automatically when the fan has cooled down.
Too Noisy	Air inlet or air outlet is blocked.	Remove any blockage from the air inlet or outlet
	Unit is not on a stable surface.	Move the unit to a stable, flat surface.



Santa Ana, CA 92704
www.pureenrichment.com

REV: 03-2021