

pore
enrichment

5 YEAR
WARRANTY

PUREZONE HALO

TRUE HEPA AIR PURIFIER



USER MANUAL
MODEL: PEAIRDSK

TABLE OF CONTENTS

| | |
|---|-----|
| WARNINGS AND PRECAUTIONS | 4 |
| FCC NOTICE | 5 |
| PRODUCT SPECIFICATIONS | 5 |
| INTRODUCTION..... | 6 |
| PRODUCT FEATURES..... | 6 |
| PRE-OPERATING & OPERATING INSTRUCTIONS..... | 6-8 |
| INSTALLING & REMOVING THE FILTER..... | 8 |
| CLEANING & MAINTAINING THE FILTER..... | 9 |
| TROUBLESHOOTING..... | 10 |
| WARRANTY & PRODUCT REGISTRATION..... | 11 |

WARNINGS AND PRECAUTIONS



Read and save this instruction manual before operation. Failure to adhere to the following warnings can cause harm to you or the unit.

- Close supervision is necessary when any appliance is used by or near children and pets.
- Remove the plastic bag that the filter is packaged in before initial use.
- To avoid fire and shock hazard, plug PureZone Halo directly into a 120V AC electrical outlet.
- DO NOT run power cord under carpeting, or cover with rugs or runners. Arrange the cord away from areas where it may be tripped over.
- To prevent electrical shock, do not spray the unit, plug, or cord with liquids. Never submerge any part of the unit in water.
- Always unplug PureZone Halo before moving it, opening the front cover, changing the filter, and whenever the unit is not being used. To disconnect from the power supply, grip the plug and pull from the power socket. Never pull by the cord.
- NEVER drop or insert any object into any openings.
- DO NOT operate the unit with a damaged cord or plug, after it malfunctions, or after it has been dropped or damaged in any way.
- DO NOT use PureZone Halo outdoors.
- DO NOT place any object on top of the unit or block any of its openings or vents.
- NEVER place the unit on a soft surface, such as a bed or sofa, as this could cause the unit to tip over and block the air vents.
- Keep PureZone Halo away from heated surfaces and open flames.
- DO NOT attempt to repair or adjust any electrical or mechanical functions on PureZone Halo. Doing so will void the warranty. The inside of this unit contains no user serviceable parts.
- PureZone Halo has a polarized plug (one blade is wider than the other). To reduce the risk of electric shock, this plug is intended to fit in a polarized outlet only one way. If the plug does not fit fully in the outlet, reverse the plug. If it still does not fit, contact a qualified electrician. Do not attempt to alter this safety feature.
- To reduce the risk of fire and electrical shock, DO NOT use this unit with any solid-state speed control device.

FCC NOTICE

Model: PureZone Halo True HEPA Air Purifier (PEAIRDSK)

This device complies with part 15 of the FCC Rules. Operation is subject to the following two conditions: (1) This device may not cause harmful interference, and (2) this device must accept any interference received, including interference that may cause undesired operation.

Pure Enrichment
2803 S Yale St.
Santa Ana, CA 92704
pureenrichment.com

The product is protected against unauthorized use. DO NOT modify it without the authorization of the manufacturer, or the user's authority to operate could be voided.

Note: This equipment has been tested and found to comply with the limits for a Class B digital device, pursuant to part 15 of the FCC Rules. These limits are designed to provide reasonable protection against harmful interference in a residential installation. This equipment generates, uses and can radiate radio frequency energy and, if not installed and used in accordance with the instructions, may cause harmful interference to radio communications. However, there is no guarantee that interference will not occur in a particular installation. If this equipment does cause harmful interference to radio or television reception, which can be determined by turning the equipment off and on, the user is encouraged to try to correct the interference by one or more of the following measures:

- Reorient or relocate the receiving antenna.
- Increase the separation between the equipment and receiver.
- Connect the equipment into an outlet on a circuit different from that to which the receiver is connected.
- Consult the dealer or an experienced radio/TV technician for help.

PRODUCT SPECIFICATIONS

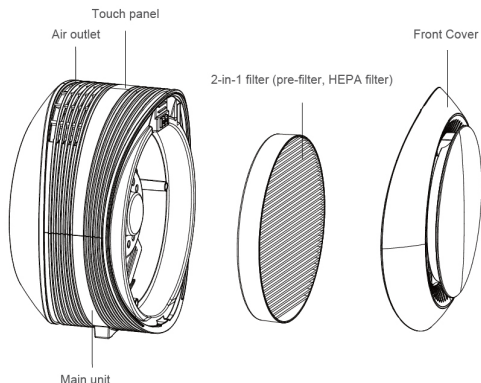
| | |
|--------------|---|
| Size: | 10.2" L x 7" W x 10.4" H |
| CADR: | 50 CFM |
| Power: | AC 120V, 60Hz, 42W |
| Noise Level: | I (Low): ≤28dB; II (Medium): ≤38dB; III (High): ≤52dB |
| Coverage: | Up to 100 sq ft |

INTRODUCTION

Thank you for purchasing PureZone Halo. This 2-in-1 True HEPA air purifier is designed to capture 99% of dust, pollen, pet dander, smoke, and more.

PRODUCT FEATURES

The diagram below highlights all of the important features of the unit.



2-IN-1 FILTER TECHNOLOGY

Carbon Pre-Filter: Captures initial dust and allergen particles; absorbs formaldehyde, benzene, and other noxious gases.

True HEPA Filter: Captures dust, smoke, pollen, and other allergens.

REPLACEMENT FILTER

Replacement filters are available at www.pureenrichment.com. Use Model No: PEADFIL to select the correct filter for this unit.

PRE-OPERATING INSTRUCTIONS

1. Carefully remove PureZone Halo from the box and plastic bag.
2. Select a firm, level, and flat location to position the unit.

NOTE: For proper air flow, place the unit at least 1 foot away from any wall or furniture. Make sure none of the vents are blocked.

PRE-OPERATING INSTRUCTIONS (CONT'D)

3. Before using, remove the filter from the plastic packaging.
4. Plug PureZone Halo into a 120V AC electrical outlet.

OPERATING INSTRUCTIONS



1. **POWER BUTTON:**
Press this button to turn the unit on or off. The reset light will turn on when it's time to replace the filter. After replacing the filter, press the power button and hold for 3-5 seconds to reset the reset light.
2. **MOOD LIGHT AND SLEEP BUTTON**
A.) Press this button to adjust the mood light brightness and turn on sleep mode. **Note:** The mood light will automatically glow on low light when the unit is turned on.
 - 1st Press: bright light
 - 2nd Press: sleep modeB.) To set sleep mode, press this button until the sleep indicator light turns on and flashes for 5 seconds. All lights (except the sleep indicator light) will turn off automatically. Press any button to exit sleep mode and resume previous settings.
3. **"SPEED" BUTTON:**
The fan speed of the unit can be adjusted when the unit is in operation.
 - Default speed when turned on: speed I (Low)
 - 1st Press: speed II (Medium)
 - 2nd Press: speed III (High)
 - 3rd Press: go back to speed I

The speed setting will start the cycle over each time you press the button.

OPERATING INSTRUCTIONS (CONT'D)



4. "TIMER" BUTTON:

A.) By pressing this button, PureZone Halo can be timed to operate for intervals of 2 hours, 4 hours, or 8 hours. The unit will stop automatically when the selected operating time has elapsed.

B.) Press the Timer button to select the required operating time. A warning light automatically indicates the selected operating time.

C.) To select the continuous operating mode, press the button repeatedly until there are no more indicator lights on.

NOTE: When the unit is not in use, switch it off and unplug it.

INSTALLING & REMOVING THE FILTER

The "Reset" light will turn on when it is time to replace the filter. Replace the filter according to the directions below, then press the POWER button and hold for 3-5 seconds to restart the system. The "Reset" light will turn off.

NOTE: The 2-in-1 filter will last approximately 6 months. To purchase the replacement filter (Model: PEADFIL), visit pureenrichment.com.



1. Open the front cover from the top.
2. Find the strips on both sides of the filter. Remove the filter by pulling the strips.
3. Insert the new filter into the unit. Make sure the strips are installed outwards and the black pre-filter is facing the front cover for correct installation direction.
4. Reattach the front cover of the unit and securely latch into place.
5. Press and hold the Power button for 3-5 seconds to reset the Reset light.

CLEANING & MAINTAINING THE FILTER

For optimal performance, the 2-in-1 filter should be cleaned at least once every month. More frequent cleaning may be required depending on the environmental conditions where you live. Use the brush attachment on your vacuum cleaner to remove lint and dirt from the filter.

NOTE: The Activated Carbon Pre-Filter and True HEPA filter are not washable. DO NOT wet either side of the filter when cleaning.



Front (Carbon Pre-Filter)



Back (HEPA Filter)

REPLACEMENT FILTER

Replacement filters are available at www.pureenrichment.com. Use Model No: PEADFIL to select the correct filter for this unit.

TROUBLESHOOTING

| Problem | Solution |
|--------------------------------|---|
| Unit is not powering on | Check to make sure PureZone Halo is properly plugged in and the electrical outlet is working. |
| | Check that the front cover is latched firmly in place. |
| | Check that the filter is firmly in place. |
| Decreased air flow | Check that the filter is clean. |
| | Check for any obstructions in the air inlet and outlet. |
| Excessive noise | Check for any foreign objects in contact with the fan. |
| | The filter may be clogged and ready for replacement. |
| | The foam sealing gaskets have been installed incorrectly. |
| | Uneven positioning. |

If your problem is not resolved by the solutions listed above, contact Pure Enrichment for assistance by emailing help@pureenrichment.com.

WARRANTY

PureZone Halo comes with an industry-leading 5 Year Warranty that begins on the date of purchase.

The warranty applies to the air purifier and necessary parts and labor relating thereto. The warranty does not apply to damage resulting from failure to follow the operating instructions, accidents, abuse, alterations, or disassembly by unauthorized individuals.

PRODUCT REGISTRATION

To ensure your full warranty, and to receive product updates and streamlined customer support, remember to register your product at:

pureenrichment.com/productregistration

ARE YOU 100% SATISFIED?

If you have product questions or concerns, don't hesitate to contact us directly at:

Email: help@pureenrichment.com

Phone: (657) 275-3737

(Available Monday-Friday, 8am-5pm PST)

Pure Enrichment has an award-winning warranty, exchange, and customer service program that guarantees hassle-free solutions to any issue you might have within 24 hours!



Santa Ana, CA 92704
pureenrichment.com

REV: 07-2021