



User's Manual

Microwave

MODEL: CHMH900B, CHMH900B6C, CHMH900W,
CHMH900W6C

Manuel D'utilisateur

Micro-onde

MODÉLE: CHMH900B, CHMH900B6C, CHMH900W,
CHMH900W6C

CONTENTS

SAFETY INFORMATION

Precautions to Avoid Possible Exposure to Excessive Microwave Energy.....	3
A Special Note on Arcing	3
Addendum	3
Important Safety Instructions	4-5
Grounding Instructions.....	6
Utensil Guide for the Microwave.....	7-8

SET UP & USE

Specifications	9
Installation Guide	9
Parts & Features	10
Control Panel.....	10
Operation Instructions.....	11-12

CLEANING & CARE.....	12
---------------------------------	-----------

TROUBLESHOOTING & WARRANTY

Before You Call For Service	13
Customer Service	13
Troubleshooting.....	14
Limited Warranty.....	15

1. READ these instructions carefully before installing and operating the appliance. Keep them for further reference.
2. Record in the space below the "SERIAL/MODEL NUMBER" found on the back or bottom of your appliance and retain this information for future reference.

SERIAL NUMBER:

MODEL NUMBER:

DATE OF PURCHASE:

Save and staple your sales receipt to your manual for warranty coverage.

SAFETY INFORMATION

DANGER

DANGER - Immediate hazards which **WILL** result in severe personal injury or death

WARNING

WARNING - Hazards or unsafe practices which **COULD** result in severe personal injury or death

CAUTION

CAUTION - Hazards or unsafe practices which **COULD** result in minor personal injury

PRECAUTIONS TO AVOID POSSIBLE EXPOSURE TO EXCESSIVE MICROWAVE ENERGY

1. Do not attempt to operate this oven with the door open since open-door operation can result in harmful exposure to microwave energy. It is important not to defeat or tamper with the safety interlocks.
2. Do not place any object between the oven front face and the door or allow soil or cleaner residue to accumulate on sealing surfaces.
3. Do not operate the oven if damaged. It is particularly important that the oven door closes properly and that there is no damage to the:
 1. DOOR (bent)
 2. HINGES AND LATCHES (broken or loosened)
 3. DOOR SEALS AND SEALING SURFACES
4. The oven should not be adjusted or repaired by anyone except properly qualified service personnel.

A SPECIAL NOTE ON ARCING

“Arcing” refers to the presence of sparks inside the microwave oven.

It can be caused by:

- Metal or foil touching the inside walls of the oven.
- Foil not closely molded to food, where edges have been left sticking up.
- Small metal parts such as twist-ties, poultry pins, or gold-rimmed dishes.
- Recycled paper towels which may contain small amounts of metal.

CAUTION

IF YOU SEE SPARKS IN YOUR MICROWAVE OVEN, IMMEDIATELY TURN TIMER TO OFF CEASE COOKING AND CORRECT THE PROBLEM.

ADDENDUM

If this product is not maintained in a good state of cleanliness, its surface could be degraded. This could affect the lifespan of the product and lead to a dangerous situation.

SAFETY INFORMATION

IMPORTANT SAFETY INSTRUCTIONS

WARNING

When using electrical appliances, basic safety precautions should be followed, including the following
WARNING: To reduce the risk of burns, electric shock, fire, and injury to persons or exposure to excessive microwave energy:

1. Read all instructions before using the appliance.
2. Read carefully and follow the specific **“Precautions to avoid possible exposure to excessive microwave energy”** on page 3.
3. This appliance must be grounded. Connect only to properly grounded outlet. See **“GROUNDING INSTRUCTIONS”** on page 6.
4. Install or position this appliance only in accordance with the provided installation instructions on page 9.
5. Some products such as whole eggs and sealed containers -for example, closed glass jars- can potentially explode and should not be heated in this oven.
6. Use this appliance only for the intended uses as described in this manual. This type of oven is specifically designed to heat, cook, or dry food. It is not designed for industrial or laboratory use. Do not use corrosive chemicals or vapors in this appliance.
7. As with any appliance, close supervision is necessary when used by children.
8. To reduce the risk of fire in the oven cavity;
 - Do not overcook food. Carefully attend the appliance when paper, plastic, or other combustible materials are placed inside the oven to facilitate cooking.
 - Remove wire twist-ties from paper or plastic bags before placing bag in oven.
 - If materials inside the oven ignite, keep oven door closed, turn oven off, and disconnect the power cord or shut off power at the fuse or circuit breaker panel.
 - Do not use the cavity for storage purpose. Do not leave paper products, cooking utensils or food inside the cavity when not in use.
9. Liquids, such as water, coffee, or tea can be overheated beyond the boiling point without appearing to be boiling due to surface tension of the liquid. Visible bubbling or boiling when the container is removed from the microwave oven is not always present. **This could result in very hot liquids suddenly boiling over when a spoon or other utensil is inserted into the liquid.**
10. Do not heat oil or fat for deep-frying. It is difficult to control the temperature of oil in a microwave oven.
11. Foods with heavy skins such as potatoes, whole squash, apples and chestnuts should be pierced with a fork or the tip of a sharp knife before cooking.

SAFETY INFORMATION

12. The contents of feeding bottles and baby food jars should be stirred or shaken and the temperature should be checked before serving in order to avoid burns.
13. Cooking utensils may become hot because of heat transferred from the heated food. Pot holders may be needed to handle the utensil.
14. Do not cover or block any openings on the appliance.
15. Do not store or use this appliance outdoors. Do not use this product near water, for example, near a kitchen sink, in a wet basement, near a swimming pool, or similar locations.
16. Do not operate this appliance if the cord or plug is damaged, if it is not working properly, or if it has been damaged or dropped.
17. Do not immerse cord or plug in water. Keep cord away from heated surfaces. Do not let cord hang over the edge of a table or counter.
18. Use only thermometers, specifically designed for use in microwave ovens.
19. Be certain the glass tray and roller rings are in place before operating the oven
20. This appliance should be serviced only by qualified service personnel. Contact nearest authorized service facility for examination, repair, or adjustment.
21. When cleaning sealing surfaces of the oven, such as the door jamb, use only mild, nonabrasive soaps, or mild detergents applied with a sponge or soft cloth.

SAVE THESE INSTRUCTIONS

HOUSEHOLD USE ONLY

FEDERAL COMMUNICATIONS COMMISSION

RADIO FREQUENCY INTERFERENCE STATEMENT

WARNING: This equipment generates and uses ISM frequency energy and if not installed and used properly, that is in strict accordance with the manufacturer's instructions, may cause interference to radio and television reception. It has been type-tested and found to comply with limits for an ISM Equipment pursuant to part 18 of FCC Rules, which are designed to provide reasonable protection against such interference in a residential installation. However, there is no guarantee that interference will not occur in a particular installation. If this equipment does cause interference to radio or television reception, which can be determined by turning the equipment off and on, the user is encouraged to try to correct the interference by one or more of the followings.

- Reorient the receiving antenna of radio or television.
- Relocate the Microwave oven with respect to the receiver.
- Move the microwave oven away from the receiver.
- Plug the microwave oven into a different outlet so that microwave oven and receiver are on different branch circuits.

THE MANUFACTURER is not responsible for any radio or TV interference caused by UNAUTHORIZED MODIFICATION to this microwave oven. It is the responsibility of the user to correct such interference.

SAFETY INFORMATION

GROUNDING INSTRUCTIONS

ELECTRICAL REQUIREMENTS

The electrical requirements are a 120 volt 60 Hz, AC only, 20 amp. It is recommended that a separate circuit serving only the oven be provided. The oven is equipped with a 3-wire cord having a 3-prong grounding plug. It must be plugged into a wall receptacle that is properly installed and grounded.

This appliance must be grounded. In the event of an electrical short circuit, grounding reduces risk of electric shock by providing an escape wire for the electric current. The cord provided with this appliance is equipped with a grounding wire and a grounding plug. The plug must be plugged into an outlet that is properly installed and grounded. Do not attempt to defeat this safety feature by modifying the plug in any way.



WARNING

Improper use of the grounding plug can result in a risk of electric shock.

Consult a qualified electrician or serviceman if:

- 1) The grounding instructions are not completely understood.
- 2) You are unsure that the appliance is properly grounded.
- 3) You have any questions about the grounding or electrical instructions.

POWER SUPPLY CORD

1. A short power supply cord is provided to reduce the risk of becoming entangled in or tripping over a longer cord.
2. If the power supply cord is too short, do not use an extension cord. Have a qualified electrician or serviceman to install an outlet near the appliance.
3. If it is absolutely necessary to use longer cord sets or an extension cord, extreme care must be exercised.
 - a) Use only a grounding type 3-wire extension cord that has a 3-blade grounding plug and a 3-slot receptacle that will accept the plug on the appliance.
 - b) The marked electrical rating of the cord set or extension cord must equal to or greater than the electrical rating of the appliance. The longer cord should be arranged so that it will not drape over the counter top or table top where it can be pulled on by children or tripped over unintentionally.

NOTE: Neither Commercial Chef nor the dealer can accept any liability for damage to the oven or personal injury resulting from failure to observe the electrical connection procedures.

SAFETY INFORMATION

UTENSIL GUIDE FOR THE MICROWAVE

This section lists which utensils can be used in the microwave, which have limited use, and which should not be used in the microwave at all.

CAN USE	CAN NOT USE	LIMITED USE
<ul style="list-style-type: none"> • Microwave browning dish: For browning the exterior of food such as steaks, chops, or pancakes. Follow the directions provided with your browning dish. • Microwaveable plastic wrap: For retaining steam. Leave a small opening for some steam to escape. Avoid placing it directly on the food. • Paper towels and napkins: To absorb excess moisture and prevent spattering. Use for short-term heating and covering. Check for manufacturer's labels for any special instructions. • Oven-proof glass, glass-ceramic bowls and dishes: For use in the microwave oven. • Paper plates and cups: For short-term heating at low temperatures. Do not use recycled paper, which may contain metal and could ignite. <p>NOTE: Recycled paper may contain metal which could ignite so please be careful.</p>	<ul style="list-style-type: none"> • Glass jars and bottles: Regular glass is too thin to be used in a microwave. It can shatter, causing damage and injury. • Paper bags: These are a fire hazard, they can absorb heat and burn. Only use popcorn bags that are designed for microwave use. • Styrofoam plates and cups: These can melt and leave a harmful chemical residue on food. • Plastic storage and food containers: Containers meant for cold storage, such as margarine tubs, can melt in the microwave. • Metal utensils: These can damage your microwave oven. Remove all metal from food and containers before cooking. • Parchment paper: Use as a cover to prevent spattering or as a wrap for steaming. 	<ul style="list-style-type: none"> • Aluminium foil: Smooth, narrow strips of foil may be used to shield delicate areas on food items like drumsticks and wings to prevent overcooking. Keep all aluminium foil at least 1 inch from the side walls and the door of the microwave. <p>NOTE: Using too much foil can damage your oven.</p> <ul style="list-style-type: none"> • Ceramic, porcelain, and stoneware: Only if they are labelled "Microwave Safe". If they are not labelled, test them to make sure they can be used safely. • Plastic: Use only if labelled "Microwave Safe". Use with care because the plastic can soften from the heat of the food and some plastic can melt.

SAFETY INFORMATION

CAN USE	CAN NOT USE	LIMITED USE
<ul style="list-style-type: none"> • Wax paper: To prevent spattering. • Thermometers: Only those labelled "Microwave Safe" and follow all directions. Check the temperature of food in several places. Conventional thermometers may be used on microwaved food once the food has been removed from the oven. 	<ul style="list-style-type: none"> • Aluminium tray: May cause arcing. Avoid aluminium foil this may cause arcing. • Take-out carton with metal handle: May cause arcing. Transfer food to a microwave-safe container. • Metal or metal-trimmed utensils: Metal cookware, metal trim, and metallic glazes may cause arcing. Also avoid metal skewers and metal twisties. • Wood: Wood will dry out when used in the microwave oven and may split or crack. Wooden bowls, baskets and board will dry out and may split or crack when used in the microwave. • Recycled paper towels, paper plates and cups: May contain metal and could ignite. <p>NOTE: To test if a dish is safe for microwaving, place the empty dish in the oven and microwave on HIGH for 30 seconds. A dish which becomes very hot should not be used.</p>	<ul style="list-style-type: none"> • Straw, wicker, and wood: For short-term heating, such as warming dinner rolls for a few seconds. Baskets and bowls may be flammable.

SET UP & USE

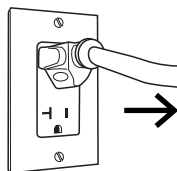
SPECIFICATIONS

- Power Input: 120V-60Hz, 1350W
- Output Power: 900W
- Outside Dimensions (WxDxH): 19 x 15 1/4 x 11 1/16
- Oven Capacity: 0.9 cubic feet
- Oven Cavity Dimensions (WxDxH): 13 3/8 x 12 5/8 x 8 11/16
- Net Weight: Approx. 30 lbs.

INSTALLATION GUIDE

1. Make sure that all the packing materials are removed from the inside of the door.
2. Check the oven for any damage, such as misaligned or bent door, damaged door seals and sealing surfaces, broken or loose door hinges and latches, and dents inside the cavity or on the door. If there is any damage, do not operate the oven. Contact qualified service personnel.
3. This microwave oven must be placed on a flat, stable surface capable of supporting the weight of the oven plus the heaviest food likely to be cooked in the oven.
4. Do not place the oven where heat, moisture, or high humidity are generated, or near combustible materials.
5. To function correctly, the oven must have sufficient airflow on all sides. Allow 8" of space above the oven, 4" at back, and 2" at both sides. Do not cover or block any openings on the appliance. Do not remove feet on which oven stands.
6. Do not operate the oven without glass tray, roller support, and shaft in their proper positions.
7. Make sure that the power supply cord is undamaged and does not run under the oven or over any hot or sharp surface.
8. The socket must be readily accessible so that the cord can be quickly reached and easily unplugged in an emergency.

NOTE: Do not remove the mica plate covering the wave guide in the oven cavity.



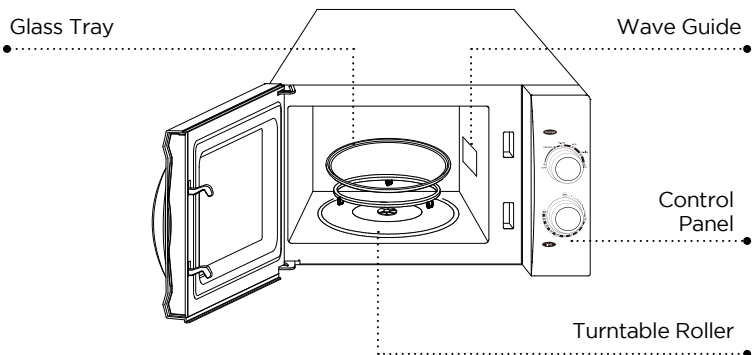
RADIO OR TV INTERFERENCE

If the microwave oven causes interference to your radio or TV,

1. Check that the microwave oven is on a different circuit
2. Relocate the radio or TV as far away from the oven as possible
3. Check position and signal of receiving antenna.
4. Clean door and sealing surface.
5. Move the microwave oven far away from the receiver.

SET UP & USE

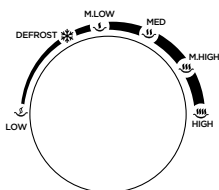
PARTS & FEATURES



NOTE: Do not remove the mica plate covering the wave guide in the oven cavity.

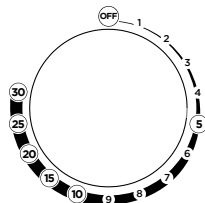
CONTROL PANEL

POWER



- **Power selector:** Use this dial to choose a cooking power level. There are six power levels to choose from. Power level increases with the knob turning clockwise. The power levels can be classified as the following:

DESCRIPTION	POWER OUTPUT
LOW	17%
DEFROST	40%
M. LOW	48%
MED	66%
M. HIGH	85%
HIGH	100%



TIME

- **Timer selector:** Use this dial to select a desired cooking time up to a maximum of 30 minutes per cooking session.

NOTE: Please remove protective film from the control pad before using your microwave.

SET UP & USE

OPERATION INSTRUCTIONS

STARTING A COOKING SESSION

Always follow recommendation from the food package and use the cooking guide table for guidance only.

To start cooking:

1. Place food in microwave oven on the turntable and close the door.
2. Turn Power Selector dial to select a power level.
3. Use Timer Selector dial to set a cooking time.

NOTE: · As soon as the Timer Selector dial is turned, oven starts cooking.

- When selecting time is less than 2 minutes, turn Timer Selector dial past 2 minutes and then return to the correct time.
- Always turn Timer Selector dial back to "OFF" position if food is removed from oven before the set cooking time is complete or when oven is not in use. To stop oven during the cooking process, open the door by handle.

DEFROSTING THE FOOD

Defrost and Med. Low setting enables thawing frozen foods. Microwave energy heats up outside surface of the food and this heat moves slowly into center. This thaws the food evenly.

In addition to defrosting, this setting also used for slower and gentler cooking, such as soups, stews or sauces. Foods with high-milk, cheese or egg content may be cooked on this setting to prevent curdling or toughness.

To start defrosting:

1. Place food in microwave oven on turntable and close the door.
2. Set Power level at Med. Low or Defrost position.
3. Set Timer Selector for the time suggested on the food package or as desired. This will turn on microwave oven to start defrosting.
4. A bell will ring and alert you once the cycle is completed.

COOKING TECHNIQUES

Your microwave makes cooking easier than conventional cooking, provided you keep these considerations in mind:

STIRRING

Stir foods such as casseroles and vegetables while cooking to distribute heat evenly. Food at the outside of the dish absorbs more energy and heats more quickly, so stir from the outside to the center. The oven will turn off when you open the door to stir your food.

SET UP & USE

COOKING TECHNIQUES

ARRANGEMENT

Arrange unevenly shaped foods, such as chicken pieces or chops, with the thicker, meatier parts toward the outside of the turntable where they receive more microwave energy. To prevent overcooking, place delicate areas, such as asparagus tips, toward the center of the turntable

SHIELDING

Shield food with narrow strips of aluminium foil to prevent overcooking. Areas that need shielding include poultry wing-tips, the ends of poultry legs, and corners of square baking dishes. Use only small amounts of aluminium foil. Larger amounts can damage your oven.

TURNING

Turn foods over midway through cooking to expose all parts to microwave energy. This is especially important with large foods such as roasts.

STANDING

Foods cooked in the microwave build up internal heat and continue to cook for a few minutes after heating stops. Let foods stand to complete cooking, especially foods such as cakes and whole vegetables. Roasts need this time to complete cooking in the center without overcooking the outer areas. All liquids, such as soup or hot chocolate, should be shaken or stirred when cooking is complete. Let liquids stand a moment before serving. When heating baby food, stir well at removal and test the temperature before serving.

ADDING MOISTURE

Microwave energy is attracted to water molecules. Food that is uneven in moisture content should be covered or allowed to stand so that the heat disperses evenly. Add a small amount of water to dry food to help it cook.

CLEANING & CARE

1. When cleaning surfaces of door and oven that comes together on closing the door, use only mild, nonabrasive soaps, or detergents apply with a sponge or soft cloth.
2. Turn off the oven and remove the power plug from the wall socket before cleaning.
3. Keep the inside of the oven clean. When food splatters or spilled liquids adhere to oven walls, wipe with a damp cloth. Mild detergent may be used if the oven gets very dirty. Avoid the use of spray and other harsh cleaners as they may stain, streak or dull the door surface.
4. The outside surfaces should be cleaned with a damp cloth. To prevent damage to the operating parts inside the oven, water should not be allowed to sweep into the ventilation openings.
5. Wipe the window on both sides with a damp cloth to remove any spills or splatters.
6. Do not allow the control panel to become wet. Clean with a soft, damp cloth. When cleaning the control panel, leave oven door open to prevent oven from accidentally turning on.
7. If steam accumulates inside or around the outside of the oven door, wipe with a soft cloth. This may occur when the microwave oven is operated under high humidity conditions, this is normal.
8. It is occasionally necessary to remove the glass tray for cleaning. Wash the tray in warm sudsy water or in a dishwasher.

CLEANING & CARE

9. The roller ring and oven floor should be cleaned regularly to avoid excessive noise. Simply wipe the bottom surface of the oven with mild detergent. The roller ring may be washed in mild sudsy water or dishwasher. When removing the roller ring from cavity floor for cleaning, be sure to replace in the proper position.
10. Remove odors from your oven by combining a cup of water with the juice and skin of one lemon in a deep bowl, microwave for 5 minutes. Wipe thoroughly and dry with a soft cloth.
11. When it becomes necessary to replace the oven light, please consult a dealer to have it replaced.
12. Please do not dispose this appliance into the domestic rubbish bin; it should be disposed to the particular disposal center provided by the municipalities.

TROUBLESHOOTING & WARRANTY

BEFORE YOU CALL FOR SERVICE

IF THE OVEN FAILS TO OPERATE:

- A) Check to make sure that the oven is plugged in securely. If it is not, remove the plug from the outlet, wait 10 seconds and plug it in again securely.
- B) Check for a blown circuit fuse or a tripped main circuit breaker. If these seem to be operating properly, test the outlet with another appliance.
- C) Check to make sure the control panel is programmed correctly and the timer is set.
- D) Check to ensure that the door is securely closed engaging the door safety lock system. Otherwise, the microwave energy will not flow into the oven.

IF NONE OF THE ABOVE SOLVES THE PROBLEM, CONTACT A QUALIFIED TECHNICIAN. DO NOT TRY TO ADJUST OR REPAIR THE OVEN YOURSELF.

CUSTOMER SERVICE

IMPORTANT

DO NOT RETURN THIS PRODUCT TO THE STORE

If you have a problem with this product, please contact the W Appliance Co. Customer Satisfaction Center at 1-855-855-0294.

**DATED PROOF OF PURCHASE, MODEL # AND SERIAL #
REQUIRED FOR WARRANTY SERVICE**

TROUBLESHOOTING & WARRANTY

TROUBLESHOOTING

Troubleshoot your problem by using the chart below. If the microwave oven still does not work properly, contact W Appliance Co. customer service center or the nearest authorized service center. Customers must never troubleshoot internal components. Microwaves hold dangerous voltage (5000V) even after power is removed. Only a certified technician should attempt Microwave repair.

TROUBLE	POSSIBLE CAUSE	POSSIBLE REMEDY
Oven will not start	<ul style="list-style-type: none"> A. Electrical cord for oven is not plugged in. B. Door is open. C. Wrong operation is set. 	<ul style="list-style-type: none"> A. Plug into the outlet. B. Close the door and try again. C. Check instructions.
Arcing or sparking	<ul style="list-style-type: none"> A. Materials to be avoided in microwave oven , such as metal, were used. B. The oven is operated when empty. C. Spilled food remains in the cavity. 	<ul style="list-style-type: none"> A. Use microwave-safe cookware only. B. Do not operate with oven empty. C. Clean cavity with wet towel.
Unevenly cooked foods	<ul style="list-style-type: none"> A. Materials to be avoided in microwave oven were used. B. Food is not defrosted completely. C. Cooking time, power level is not suitable. D. Food is not turned or stirred. 	<ul style="list-style-type: none"> A. Use microwave-safe cookware only. B. Completely defrost food. C. Use correct cooking time, power level. D. Turn or stir food.
Overcooked foods	<ul style="list-style-type: none"> Cooking time, power level is not suitable. 	<ul style="list-style-type: none"> Use correct cooking time and power level.
Under cooked foods	<ul style="list-style-type: none"> A. Materials to be avoided in microwave oven were used. B. Food is not defrosted completely. C. Oven ventilation ports are restricted. D. Cooking time, power level is not suitable. 	<ul style="list-style-type: none"> A. Use microwave-safe cookware only. B. Completely defrost food. C. Check to see that oven ventilation ports are not restricted. D. Use correct cooking time and power level.
Improper defrosting	<ul style="list-style-type: none"> A. Materials to be avoided in microwave oven were used. B. Cooking time, power level is not suitable. C. Food is not turned or stirred. 	<ul style="list-style-type: none"> A. Use microwave-safe cookware only. B. Use correct cooking time and power level. C. Turn or stir food.

TROUBLESHOOTING & WARRANTY

LIMITED WARRANTY

Commercial Chef brand is used under license. Any repair, replacement, or warranty service, and all questions about this product should be directed to W Appliance Co. at **1 (855) 855-0294** from the USA or Puerto Rico.

W Appliance Co. warrants to the original purchaser that the product will be free from defects in material, parts and workmanship for the period designated for this product. The warranty commences the day the product is purchased and covers up to a period of **1 year (12 months) for labor/1 year (12 months) for parts (manufacturing defects only)/5 years (60 months) magnetron tube for microwave (part only)**.

W Appliance Co. agrees that it will, at its option, replace the defective product with either a new or remanufactured microwave equivalent to your original purchase during the warranty period. Should the Part warranty period exceed the Labor warranty period, W Appliance Co. will supply at no charge for the remainder of the Part warranty, any new or remanufactured replacement parts as required by the product. During this period all labor and service charges will become the responsibility of the customer.

Exclusions: This warranty does not apply to the below:

1. If the appearance or exterior of the product has been damaged or defaced, altered or modified in design or construction.
2. If the product original serial number has been altered or removed or cannot be readily determined.
3. If there is damaged due to power line surge, user damage to the AC power cord or connection to improper voltage source.
4. If damage is due to general misuse, accidents or acts of God.
5. If repair attempts are done by unauthorized service agents, use of parts other than genuine parts or parts obtained from persons other than authorized service companies.
6. On units that have been transferred from the original owner.
7. On products that have been purchased as refurbished, like new, second-hand, in a "As-Is" or "Final Sale" terms.
8. To products used in a commercial or rental setting.
9. To products used in settings other than ordinary household use or used other than in accordance with the provided instructions.
10. To damages for service calls for improper installations.
11. To damages to decorative trims, finishes of the appliance or home incurred during installation.
12. To glass or replaceable light bulbs.
13. Transportation and shipping costs.
14. Labor after the initial 12 months.
15. Food loss for loss due to product failure or delay in service, repair or replacement.
16. To charges occurred for after hour service, weekend, holiday charges, tolls or mileage expense for service calls to remote areas.
17. Charges to make product available for service, such as removal of trim, shelves etc. that are not a part of the appliance.
18. Service calls to install or correct the installation of your microwave.
19. Service calls to instruct you how to use your microwave.
20. Service calls to repair or replace the house fuse, reset the circuit breaker or correct the wiring in the house.

REPAIR OR REPLACEMENT AS PROVIDED UNDER THIS WARRANTY IS THE EXCLUSIVE REMEDY OF THE CUSTOMER; W Appliance Co. SHALL NOT BE LIABLE FOR ANY INCIDENTAL OR CONSEQUENTIAL DAMAGES FOR BREACH OF ANY EXPRESS OR IMPLIED WARRANTY ON THIS PRODUCT, EXCEPT TO THE EXTENT PROHIBITED BY APPLICABLE LAW. ANY IMPLIED WARRANTY OF MERCHANTABILITY OF FITNESS FOR A PARTICULAR PURPOSE ON THIS PRODUCT IS LIMITED TO THE DURATION OF THE WARRANTY.

Some states do not allow the exclusion or limitations of incidental or consequential damages, or limitations on how long the warranty lasts. In these cases the above exclusions or limitations may not apply to you. This warranty gives you specific legal rights and you may also have other rights which vary from state to state.

Obtaining Service: To obtain service, product literature, supplies or accessories please call **1 (855) 855-0294** to create a ticket for exchange/repair. Please make sure to provide the date of purchase, model number and a brief description of the problem. Our customer service representative will contact you or send detailed return instructions. W Appliance Co. does not warrant that the appliance will work properly in all environmental conditions, and makes no warranty and representation, either implied or expressed, with respect to the quality, performance, merchantability, or fitness for a particular purpose other than the purpose identified within this user's manual. W Appliance Co. has made every effort to ensure that this user's manual is accurate and disclaims liability for any inaccuracies or omissions that may have occurred. Information in this user's manual is subject to change without notice and does not represent a commitment on the part of W Appliance Co. W Appliance Co. reserves the right to make improvements to this user's manual and/or to the products described in this user's manual at any time without notice. If you find information in this manual that is incorrect, misleading, or incomplete, please contact us at **1- 855-855-0294**.

W Appliance Co.,
1356 Broadway
New York, NY 10018

CONTENU

INFORMATIONS DE SÉCURITÉ

Précautions À Suivre Pour Éviter Une Exposition Possible À L'énergie Mico-Ondes Excessive	18
Une Note Spéciale Sur L'arcage.....	18
Addenda.....	18
Instructions De Sécurité Importantes	19-20
Instructions De Mise À La Terre	21
Guide D'ustensile Pour Le Micro-ondes	22-23

CONFIGURATION & UTILISATION

Spécifications.....	24
Guide D'installation.....	24
Pièces & Caractéristiques	25
Panneau De Contrôle.....	25
Instructions D'utilisation	26
Dégivrage De L'alimentation.....	26
Technique De Cuisson.....	27

NETTOYAGE & SOINS.....27-28

DÉPANNAGE & GARANTIE

Avant D'appeler Pour Le Service.....	28
Service À La Clientèle.....	28
Dépannage.....	29
Garantie Limitée.....	30

1. LISEZ ces instructions attentivement avant d'installer et d'utiliser l'appareil.
Conservez-le pour consultation future.
2. Enregistrer dans l'espace ci-dessous le NUMÉRO DE SÉRIE/DE MODÈLE trouvé sur l'arrière ou le fond de votre appareil et conserver cette information pour référence future.

NUMÉRO DE SÉRIE:

NUMÉRO DE MODÈLE:

DATE D'ACHAT:

Gardez et agrafez votre reçu de vente à votre manuel pour la couverture de garantie.

INFORMATIONS DE SÉCURITÉ

DANGER

DANGER - Risques immédiats qui VONT entraîner des blessures graves ou la mort

AVERTISSEMENT

AVERTISSEMENT - Risques ou pratiques dangereuses qui POURRAIENT entraîner des blessures graves ou la mort

ATTENTION

ATTENTION - Risques ou pratiques dangereuses qui POURRAIENT entraîner des blessures mineures

PRÉCAUTIONS À PRENDRE POUR ÉVITER LE RISQUE D'UNE EXPOSITION EXCESSIVE AUX MICRO-ONDES:

1. N'essayez pas d'utiliser ce four avec la porte ouverte puisque l'opération à porte ouverte peut entraîner une exposition nocive à l'énergie des micro-ondes. Il est important de ne pas modifier ou d'altérer le dispositif de verrouillage de sécurité.
2. Ne placez aucun objet entre la face avant du four et la porte ou laissez la saleté ou le résidu de nettoyeur s'accumuler sur les surfaces d'étanchéité.
3. Ne pas utiliser le four s'il est endommagé. Il est particulièrement important que la porte du four puisse bien fermer et qu'il n'y ait aucun dommage au niveau de la:
 1. PORTE (tordue)
 2. CHARNIÈRES ET VERROUS (cassées ou desserrées)
 3. JOINTS DE PORTE ET SURFACES D'ÉTANCHÉITÉ
4. Le four ne doit pas être ajusté ou réparé par quiconque, à l'exception du personnel de service qualifié.

UNE NOTE SPÉCIALE SUR L'ARCAGE

“L'arcage” réfère à la présence d'étincelles à l'intérieur du four à micro-ondes. Cela peut être causé par:

- Le métal ou le papier d'aluminium touchant les parois intérieures du four.
- Le papier d'aluminium pas bien moulé à la nourriture, où les bords ont dépassés.
- De petites pièces métalliques telles que des attaches, des épingles de volaille ou des plats dorés.
- Des serviettes en papier recyclé qui peuvent contenir de petites quantités de métal.

ATTENTION

SI VOUS VOYEZ DES ÉTINCELLES DANS VOTRE FOUR À MICRO-ONDES, TOURNEZ LA MINUTERIE IMMÉDIATEMENT À ARRÊT SEZ LA CUISSON ET CORRIGEZ LE PROBLÈME.

ANNEXE

Si ce produit n'est pas maintenu dans un bon état de propreté, sa surface pourrait se dégrader. Cela pourrait affecter la durée de vie du produit et mener à une situation dangereuse.

INFORMATIONS DE SÉCURITÉ

INSTRUCTIONS IMPORTANTES DE SÉCURITÉ

AVERTISSEMENT

Lorsque l'on utilise des appareils électriques, il faut toujours respecter des précautions de base, y compris celles-ci

AVERTISSEMENT: Pour réduire le risque de brûlures, de choc électrique, de feu et blessures aux personnes ou exposition à l'énergie excessive des micro-ondes:

1. Lisez toutes les instructions avant d'utiliser l'appareil.
2. Lisez attentivement et suivez les "Précautions à suivre pour éviter une exposition possible à l'énergie micro-ondes excessive" spécifiques à la page 3.
3. Cet appareil doit être mis à la terre. Raccorder uniquement à une prise correctement mise à la terre. Voir "INSTRUCTIONS DE MISE À LA TERRE" à la page 6.
4. Installez ou positionnez cet appareil conformément aux instructions d'installation fournies à la page 9.
5. Certains produits tels que des œufs entiers et des récipients scellés - par exemple, des pots en verre fermé - peuvent exploser et ne doivent pas être chauffés dans ce four.
6. Utilisez cet appareil uniquement pour l'usage prévu comme décrit dans ce manuel. Ce type de four a été spécialement conçu pour chauffer, cuire ou sécher des aliments. Il n'est pas conçu pour une utilisation industrielle ou dans un laboratoire. Ne pas utiliser de produits chimiques corrosifs ou de la vapeur dans cet appareil.
7. Comme pour tout appareil, une surveillance étroite est nécessaire lorsqu'il est utilisé par des enfants.
8. Pour réduire le risque d'incendie dans la cavité du four;
 - Ne pas trop cuire la nourriture. Surveillez l'appareil attentivement lorsque le papier, plastique ou autres matériaux combustibles sont placés à l'intérieur du four pour faciliter la cuisson.
 - Enlevez les attaches du papier ou des sacs en plastique avant de placer le sac au four.
 - Si les matériaux à l'intérieur du four s'enflamment, gardez la porte du four fermée, arrêtez le four et débranchez le cordon d'alimentation ou coupez l'alimentation au panneau de disjoncteur ou de fusible.
 - N'utilisez pas la cavité à des fins de stockage. Ne laissez pas les produits en papier, les ustensiles de cuisine ou les aliments à l'intérieur de la cavité lorsqu'il n'est pas utilisé.
9. Les liquides, tels que l'eau, le café ou le thé, peuvent être surchauffés au-delà du point d'ébullition sans sembler bouillir en raison de la tension de surface du liquide. Lorsque le contenant est enlevé du four à micro-ondes, les bulles ou le bouillonnement ne sont pas toujours visibles. Cela pourrait se traduire par un liquide très chaud débordant soudainement lorsqu'une cuillère ou tout autre ustensile est inséré dans le liquide.
10. Ne pas chauffer l'huile ou la graisse pour la friture. Il est difficile de contrôler la température de l'huile dans un four à micro-ondes.

INFORMATIONS DE SÉCURITÉ

11. Les aliments aux peaux épaisses telles que les pommes de terre, la courge entière, les pommes et les châtaignes doivent être percés avec une fourchette ou la pointe d'un couteau pointu avant de cuire.
12. Le contenu des biberons et petits pots d'aliments pour bébés doit être agité ou secoué et la température doit être vérifiée avant de servir afin d'éviter les brûlures.
13. Les ustensiles de cuisine peuvent devenir chaud en raison de la chaleur transférée des aliments chauffés. Des porte-pots peuvent être nécessaires pour manipuler l'ustensile.
14. Ne pas couvrir ou bloquer les ouvertures de l'appareil.
15. Ne rangez ni n'utilisez cet appareil à l'extérieur. N'utilisez pas ce produit près de l'eau, par exemple, près d'un évier de cuisine, dans un sous-sol humide, près d'une piscine ou dans des endroits similaires.
16. N'utilisez pas cet appareil si le cordon ou la fiche est endommagé, s'il ne fonctionne pas correctement, ou s'il a été endommagé ou échappé.
17. Ne pas plonger le cordon ou la prise dans l'eau. Maintenez le cordon électrique éloigné des surfaces chauffées. Ne pas laisser le cordon pendre par-dessus le bord d'une table ou d'un comptoir.
18. Utilisez uniquement des thermomètres spécialement conçus pour être utilisés dans les fours à micro-ondes.
19. Assurez-vous que le plateau en verre et les anneaux à rouleaux sont en place avant d'utiliser le four
20. Cet appareil ne doit être entretenu que par du personnel de service qualifié. Contactez le centre de service autorisé le plus proche pour l'examen, la réparation ou l'ajustement.
21. Lorsque vous nettoyez les surfaces d'étanchéité du four, comme le montant de la porte, n'utilisez que des savons doux, non abrasifs ou des détergents doux appliqués avec une éponge ou un chiffon doux

CONSERVEZ CES INSTRUCTIONS USAGE DOMESTIQUE SEULEMENT

DÉCLARATION D'INTERFÉRENCE DE FRÉQUENCE RADIO DE LA COMMISSION FÉDÉRALE DES COMMUNICATIONS

AVERTISSEMENT: Cet équipement génère et utilise de l'énergie de fréquence ISM et, s'il n'est pas installé et utilisé correctement, qui est en conformité avec les instructions du fabricant, peut causer des interférences dans la réception de la radio et de la télévision. Il a été testé et s'est avéré être conforme aux limites d'un Équipement ISM conformément à la partie 18 des Règles CFC, qui sont conçues pour fournir une protection raisonnable contre ces interférences dans une installation résidentielle. Cependant, il n'y a aucune garantie qu'aucun brouillage ne se produira dans une installation particulière. Si cet équipement provoque des interférences à la réception radio ou télévision, ce qui peut être établi en éteignant et rallumant l'équipement, l'utilisateur est invité à tenter de corriger l'interférence par une ou plusieurs des mesures suivantes.

- Réorienter l'antenne de réception de la radio ou de la télévision.
- Déplacez le four à micro-ondes par rapport au récepteur.
- Déplacez le four à micro-ondes loin du récepteur.
- Branchez le four à micro-ondes dans une prise différente pour que le four à micro-ondes et le récepteur se trouvent sur des circuits différents.

LE FABRICANT n'est pas responsable des interférences radio ou TV causées par une MODIFICATION NON AUTORISÉE à ce four à micro-ondes. C'est la responsabilité de l'utilisateur de corriger ces interférences.

INSTRUCTIONS DE MISE À LA TERRE

EXIGENCES ÉLECTRIQUES

Les exigences électriques sont de 120 volts 60 Hz, CA seulement, 20 ampères. Il est recommandé de prévoir un circuit séparé desservant uniquement le four. Le four est équipé avec un cordon 3 fils avec une fiche de mise à la terre à 3 broches. Il doit être branché dans une prise de courant murale correctement installée et mise à la terre.

Cet appareil doit être mis à la terre. En cas d'un court-circuit électrique, la mise à la terre réduit le risque de décharge électrique en permettant au courant électrique de s'échapper par ce fil. Le cordon fourni avec cet appareil est équipé d'un fil de mise à la terre et d'une fiche de mise à la terre. La fiche doit être branchée dans une prise correctement installée et mise à la terre. N'essayez pas de contourner ce dispositif de sécurité en modifiant la fiche de quelque manière que ce soit.

AVERTISSEMENT

Une mauvaise utilisation de la prise de mise à la terre peut entraîner un risque d'électrocution.

Consultez un électricien ou un technicien qualifié si:

- 1) Les instructions de mise à la terre ne sont pas complètement comprises.
- 2) Vous n'êtes pas sûr que l'appareil est correctement mis à la terre.
- 3) Vous avez des questions sur la mise à la terre ou les instructions électriques.

CORDON D'ALIMENTATION

1. Un cordon électrique court est fourni pour réduire le risque de s'emmêler ou de trébucher sur un long cordon.
2. Si le cordon d'alimentation est trop court, n'utilisez pas de rallonge. Ayez un électricien ou un technicien compétent pour installer une prise de courant près de l'appareil.
3. S'il est absolument nécessaire d'utiliser des ensembles de cordons plus longs ou une rallonge, il faut faire preuve d'extrême prudence.
 - a) Utilisez uniquement un cordon de raccordement à 3 fils de mise à la terre doté d'une fiche de mise à la terre à 3 broches et d'une prise à 3 fentes qui acceptera la fiche de l'appareil.
 - b) La capacité électrique marquée du cordon ou de la rallonge doit être égale ou supérieur à la puissance électrique de l'appareil. Le cordon plus long doit être placé de sorte qu'il ne dépasse pas le dessus du comptoir ou le dessus de la table où il peut être tiré par des enfants ou trébuché involontairement.

REMARQUE: Ni Commercial Chef ni le marchand ne peuvent être tenus responsables des dommages causés au four ou des dommages corporels résultant de l'inobservation des procédures de connexion électrique.

INFORMATIONS DE SÉCURITÉ

GUIDE D'USTENSILES POUR LE MICRO-ONDES

Cette section énumère les ustensiles qui peuvent être utilisés au micro-ondes, qui ont une utilisation limitée et qui ne devraient pas être utilisés au micro-ondes.

PEUT UTILISER	NE PEUT PAS UTILISER	UTILISATION LIMITÉE
<ul style="list-style-type: none">• Plat à brunir à micro-ondes: Pour dorer l'extérieur des aliments tels que les steaks, les côtelettes ou les crêpes. Suivre les instructions fournies avec votre plat à brunir.• Emballage plastique à micro-ondes: Pour retenir la vapeur. Laissez une petite ouverture pour de la vapeur pour s'échapper. Évitez de le placer directement sur les aliments.• Serviettes en papier et serviettes: Pour absorber l'excès d'humidité et éviter les éclaboussures. Utilisez pour chauffage et recouvrement à court terme. Vérifiez les étiquettes du fabricant pour toutes les instructions spéciales.• Verre à l'épreuve du four, bols et vaisselle en verre et céramique: Pour utilisation dans le four à micro-ondes.• Assiettes et tasses en papier: Pour un chauffage à court terme à basse température. Ne pas utiliser de papier recyclé, qui peut contenir du métal et pourrait s'enflammer.	<ul style="list-style-type: none">• Bocaux et bouteilles: Le verre ordinaire est trop mince pour être utilisé dans un micro-ondes. Il peut briser, causant des dommages et des blessures.• Sacs en papier: Ce sont un risque d'incendie, ils peuvent absorber la chaleur et brûler. N'utilisez que des sachets de maïs soufflé conçus pour l'utilisation des micro-ondes.• Assiettes et tasses en styromousse: Ils peuvent fondre et laisser un résidu chimique nocif sur les aliments.• Contenants alimentaires et de stockage en plastique: Conteneurs destinés au stockage froid, comme les conteneurs à margarine peuvent fondre au micro-ondes.• Ustensiles en métal: Cela peut endommager votre four à micro-ondes. Retirez tout le métal des aliments et des récipients avant de cuire.• Parchemin: Utilisez comme couverture pour éviter les éclaboussures ou comme enveloppe pour la vapeur.	<ul style="list-style-type: none">• Papier d'aluminium: Des bandes étroites de papier d'aluminium peuvent être utilisées pour protéger les zones délicates des aliments comme les pilons de poulet et les ailes pour éviter de trop cuire. Gardez tout papier d'aluminium à au moins 1 pouce des parois latérales et de la porte du micro-ondes. <p>REMARQUE: Utiliser trop de papier d'aluminium peut endommager votre four.</p> <ul style="list-style-type: none">• Céramique, porcelaine et grès: Seulement s'ils sont étiquetés "Micro-ondes". S'ils ne sont pas étiquetés, testez-les pour vous assurer qu'ils peuvent être utilisés en toute sécurité.• Plastique: Utilisez seulement si étiqueté "Micro-ondes". Utilisez avec précaution car le plastique peut se ramollir par la chaleur de la nourriture et un peu de plastique peut fondre.

REMARQUE: Le papier recyclé peut contenir du métal qui pourrait s'allumer, alors s'il vous plaît faites attention.

INFORMATIONS DE SÉCURITÉ

PEUT UTILISER	NE PEUT PAS UTILISER	UTILISATION LIMITÉE
<ul style="list-style-type: none">• Papier ciré: Pour éviter les éclaboussures.• Thermomètres: Seuls ceux étiquetés "Micro-ondes" et suivez toutes les directions. Vérifiez la température de la nourriture à plusieurs endroits. Les thermomètres conventionnels peuvent être utilisés sur des aliments à micro-ondes une fois que les aliments ont été retirés du four.	<ul style="list-style-type: none">• Plateau en aluminium: Peut provoquer l'arcage. Évitez le papier d'aluminium, cela peut provoquer de l'arcage.• Carton à emporter avec manche en métal: Peut provoquer de l'arcage. Transférer la nourriture à un contenant à micro-ondes.• Ustensiles en métal ou garnis de métal: Les ustensiles de cuisine en métal, les garnitures en métal et les glaçures métalliques peuvent provoquer de l'arcage. Aussi évitez les brochettes métalliques et torsades métalliques.• Bois: Le bois se dessèche lorsqu'il est utilisé dans le four à micro-ondes et peut se fendre ou se fissurer. Les bols en bois, les paniers et la planche sécheront et peuvent se fendre ou se fissurer lorsqu'ils sont utilisés au micro-ondes.• Serviettes en papier recyclé, assiettes et tasses en papier: Peut contenir du métal et. <p>REMARQUE: Pour vérifier si un plat est sûr pour le micro-ondes, placez le plat vide dans le four et micro-ondes sur HAUT pendant 30 secondes. Un plat qui devient très chaud ne doit pas être utilisé.</p>	<ul style="list-style-type: none">• Paille, osier et bois: Pour un chauffage à court terme, tel que réchauffer les petits pains pendant quelques secondes. Les paniers et les bols peuvent être inflammables.

CONFIGURATION & UTILISATION

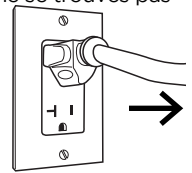
CARACTÉRISTIQUES

- Consommation Électrique: 120V ~ 60Hz, 1350W
- Puissance MWO: 900W
- Dimensions Extérieures (H x L x P): 19" x 15 1/4" x 11 1/16"
- Dimensions De La Cavité Du Four (H x L x P): 13 3/8" x 12 5/8" x 8 11/16"
- Capacité Du Four: 0.9 pieds cubes
- Poids Net: Env. 30 lbs.

GUIDE D'INSTALLATION

1. Assurez-vous que tous les matériaux d'emballage sont retirés de l'intérieur de la porte.
2. Vérifier le four pour tout dommage, tel que porte mal alignée ou déformée, joints et surfaces d'étanchéité endommagés, charnières et verrous lousse ou cassées, et des bosses à l'intérieur du four ou sur la porte. En cas de dommage, ne pas utiliser le four. Contactez un personnel de service qualifié.
3. Ce four à micro-ondes doit être placé sur une surface plane et stable capable de supporter le poids du four plus la nourriture la plus lourde susceptible d'être cuite au four.
4. Ne placez pas le four où la chaleur ou de l'humidité élevée sont générés, ou à proximité de matériaux combustibles.
5. Pour fonctionner correctement, le four doit avoir un flux d'air suffisant sur tous les côtés. Prévoyez 8 "d'espace au-dessus du four, 4" à l'arrière et 2 "des deux côtés. Ne pas couvrir ou bloquer les ouvertures de l'appareil. Ne pas enlever les pieds sur lesquels repose le four.
6. Ne faites pas fonctionner le four sans le plateau en verre, le support de rouleau et l'arbre dans leurs positions appropriées.
7. Assurez-vous que le cordon d'alimentation n'est pas endommagé et ne se trouve pas sous le four ou sur une surface chaude ou pointue.
8. La prise doit être facilement accessible afin que le cordon puisse être rapidement atteint et facilement débranché en cas d'urgence.

REMARQUE: Ne retirez pas la plaque de mica qui recouvre le guide d'ondes dans la cavité du four.



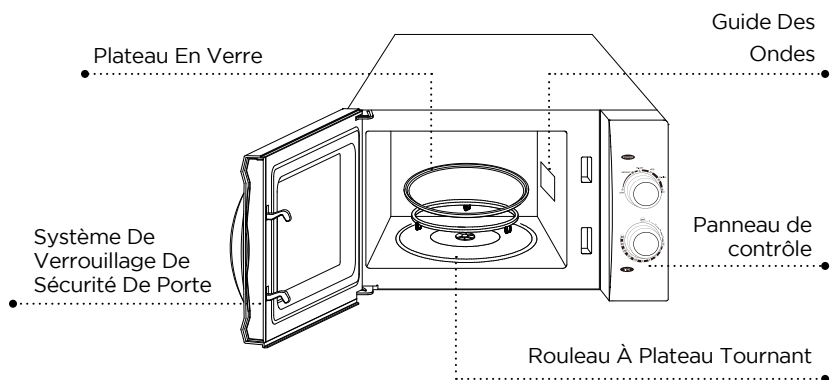
BROUILLAGE RADIO OU TÉLÉVISION

Si le four à micro-ondes cause des interférences à votre radio ou à votre téléviseur,

1. Vérifiez que le four à micro-ondes est sur un circuit différent
2. Déplacez la radio ou le téléviseur aussi loin que possible du four
3. Vérifiez la position et le signal de l'antenne de réception.
4. Nettoyer la porte et la surface d'étanchéité.
5. Déplacez le four à micro-ondes loin du récepteur.

SET UP & USE

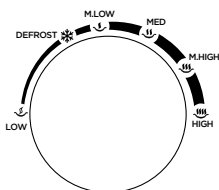
PARTS & FEATURES



REMARQUE: Ne retirez pas la plaque de mica qui recouvre le guide d'ondes dans la cavité du four.

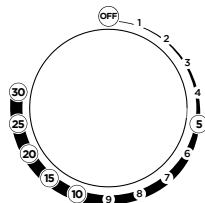
PANNEAU DE COMMANDE

POWER



- **Sélecteur de puissance:** Utilisez ce bouton rotatif pour choisir un niveau de puissance de cuisson. Il y a six niveaux de puissance à choisir. Le niveau de puissance augmente avec le bouton tournant dans le sens horaire. Les niveaux de puissance peuvent être classés comme suit:

DESCRIPTION	PUISSANCE DE SORTIE
LOW	17%
DEFROST	40%
M. LOW	48%
MED	66%
M. HIGH	85%
HIGH	100%



TIME

- **Sélecteur de minuterie:** Utilisez ce bouton rotatif pour sélectionner un temps de cuisson désiré jusqu'à un maximum de 30 minutes par séance de cuisson.

REMARQUE: S'il vous plaît retirez le film de protection du panneau de commande avant d'utiliser votre micro-ondes.

CONFIGURATION & UTILISATION

INSTRUCTIONS D'UTILISATION

COMMENCER UNE SESSION DE CUISSON

Toujours suivre la recommandation de l'emballage alimentaire et utilisez la table guide de cuisson à titre indicatif seulement.

Pour commencer à cuisiner:

1. Placez la nourriture dans le four à micro-ondes sur le plateau tournant et fermez la porte.
2. Tournez le bouton rotatif Sélecteur De Puissance pour sélectionner un niveau de puissance.
3. Utilisez le bouton rotatif de Sélection De La Minuterie pour régler le temps de cuisson.

REMARQUE:

- Dès que le bouton rotatif Sélecteur de minuterie est tournée, le four commence à cuire..
- Lorsque le temps sélectionné est inférieur à 2 minutes, tournez le Sélecteur De Minuterie passé 2 minutes, puis revenez au temps correcte.
- Toujours tourner le Sélecteur De La Minuterie à la position "ARRÊT" si les aliments sont retirés du four avant que le temps de cuisson programmé soit terminé ou lorsque le four ne soit pas utilisé. Pour arrêter le four pendant le processus de cuisson, ouvrez la porte par la poignée.

DÉGIVRAGE DE L'ALIMENTATION

Le réglage Dégivrer et Med. Bas permet de dégivrer les aliments surgelés. L'énergie des micro-ondes réchauffe la surface extérieure de la nourriture et cette chaleur se déplace lentement vers le centre. Cela dégivre la nourriture uniformément.

En plus du dégivrage, ce réglage est également utilisé pour une cuisson plus lente et plus douce, comme les soupes, les ragoûts ou les sauces. Les aliments à haute teneur en lait, en fromage ou en oeufs peuvent être cuits sur ce réglage pour éviter la coagulation ou la dureté.

Pour commencer le dégivrage:

1. Placez la nourriture dans le four à micro-ondes sur le plateau tournant et fermez la porte.
2. Réglez le niveau de Puissance à la position Med. Bas ou Dégivrer.
3. Réglez le Sélecteur De Minuterie pour le temps suggéré sur l'emballage de l'aliment ou tel que désiré. Cela allumera le micro-ondes pour commencer à dégivrer.
4. Une cloche sonnera et vous alertera dès que le cycle est terminé.

TECHNIQUES DE CUISSON

Votre micro-onde rend la cuisson plus facile que la cuisson conventionnelle, pourvu que vous tenez compte de ces considérations:

REMUER

Remuez les aliments comme les casseroles et les légumes pendant la cuisson pour répartir la chaleur uniformément. La nourriture à l'extérieur du plat absorbe plus d'énergie et se réchauffe plus rapidement, alors remuez de l'extérieur vers le centre. Le four s'arrêtera lorsque vous ouvrez la porte pour remuer vos aliments.

CONFIGURATION & UTILISATION

TECHNIQUES DE CUISSON

DISPOSITION

Disposez des aliments à forme inégale, tels que des morceaux de poulet ou des côtelettes, avec des pièces plus épaisses vers l'extérieur du plateau tournant où ils reçoivent plus d'énergie micro-onde. Pour éviter de trop cuire, placez des zones délicates, telles que des pointes d'asperges, vers le centre du plateau tournant.

MASQUAGE

Masquez les aliments avec des bandes étroites de papier d'aluminium pour éviter de trop cuire. Les zones qui ont besoin de protection comprennent les ailes de volaille, les extrémités des cuisses de volaille et les coins des plats de cuisson carrés. N'utiliser que de petites quantités de papier d'aluminium. Des plus grandes quantités peuvent endommager votre four.

TOURNER

Tournez les aliments au milieu de la cuisson pour exposer toutes les pièces à l'énergie des micro-ondes. Ceci est particulièrement important pour les gros aliments comme les rôtis.

REPOSER

Les aliments cuits au micro-ondes accumulent de la chaleur interne et continuent à cuire quelques minutes après le chauffage s'arrête. Laissez les aliments se reposer pour compléter la cuisson, en particulier les aliments comme les gâteaux et les légumes entiers. Les rôtis ont besoin de ce temps pour terminer la cuisson au centre sans trop cuire les zones extérieures. Tous les liquides, comme la soupe ou le chocolat chaud, doivent être secoués ou agités lorsque la cuisson est terminée. Laissez les liquides se reposer un moment avant de servir. Lorsque vous chauffez des aliments pour bébés, bien remuer au retrait et testez la température avant de servir.

AJOUTER L'HUMIDITÉ

L'énergie des micro-ondes est attirée par les molécules d'eau. Les aliments qui sont inégaux dans la teneur en humidité devraient être couverts ou laissés reposer de sorte que la chaleur se disperse uniformément. Ajoutez une petite quantité d'eau à la nourriture sèche pour l'aider à cuire.

NETTOYAGE & SOINS

1. Lorsque vous nettoyez les surfaces de la porte et du four qui se réunissent en fermant la porte, utilisez seulement des savons légers, non abrasifs ou des détergents avec une éponge ou un chiffon doux.
2. Arrêtez le four et débranchez le cordon d'alimentation de la prise murale avant de nettoyer.
3. Gardez l'intérieur du four propre. Lorsque les éclaboussures de nourriture ou les liquides renversés adhèrent aux parois du four, essuyez avec un chiffon humide. Un détergent léger peut être utilisé si le four devient très sale. Évitez l'utilisation de nettoyeurs à pulvérisation et d'autres nettoyeurs agressifs, car ils peuvent tacher, strier ou ternir la surface de la porte.
4. Les surfaces extérieures doivent être nettoyées avec un chiffon humide. Pour éviter d'endommager les pièces opérantes à l'intérieur du four, l'eau ne doit pas être permis de pénétrer les ouvertures de ventilation.
5. Essuyez la fenêtre des deux côtés avec un chiffon humide pour enlever les déversements ou les éclaboussures.
6. Ne laissez pas le panneau de commande se mouiller. Nettoyez avec un chiffon doux et humide. Lors du nettoyage du panneau de commande, laissez la porte du four ouverte pour éviter que le four ne s'allume accidentellement.
7. Si la vapeur s'accumule à l'intérieur ou autour de l'extérieur de la porte du four, essuyez-la avec un chiffon doux. Cela peut se produire lorsque le four à micro-ondes est utilisé dans des conditions d'humidité élevées, ceci est normal.

NETTOYAGE & SOINS

8. Il est parfois nécessaire d'enlever le plateau en verre pour le nettoyer. Lavez le plateau dans l'eau chaude savonneuse ou au lave-vaisselle.
9. L'anneau de roulement et le fond du four doivent être nettoyés régulièrement pour éviter un bruit excessif. Il suffit d'essuyer la surface inférieure du four avec un détergent doux. L'anneau de roulement peut-être lavé à l'eau douce savonneuse ou au lave-vaisselle. Lorsque vous retirez l'anneau de roulement du fond de la cavité pour le nettoyage, n'oubliez pas de remplacer dans la bonne position.
10. Éliminer les odeurs de votre four en combinant une tasse d'eau avec le jus et la peau d'un citron dans un bol profond, micro-ondes pendant 5 minutes. Essuyez complètement et séchez avec un chiffon doux.
11. Quand il devient nécessaire de remplacer la lumière du four, veuillez consulter un marchand pour le faire remplacer.
12. S'il vous plaît, ne jetez pas cet appareil dans la poubelle domestique; il doit être dirigé vers le centre d'élimination particulier fourni par les municipalités.

DÉPANNAGE ET GARANTIE

AVANT D'APPELER POUR LE SERVICE

SI LE FOUR NE FONCTIONNE PAS::

- A) Vérifiez que le four est branché sécuritairement. Si ce n'est pas le cas, retirez la fiche de la prise, attendez 10 secondes et branchez-le à nouveau sécuritairement.
- B) Vérifiez pour un fusible grillé ou un disjoncteur principal déclenché. Si celles-ci semblent fonctionner correctement, testez la prise avec un autre appareil.
- C) Vérifiez pour s'assurer que le panneau de commande est correctement programmé et la minuterie est réglée.
- D) Vérifiez pour s'assurer que la porte est solidement fermé en engageant le système de verrouillage de sécurité de porte. Sinon, l'énergie des micro-ondes ne s'écoulera pas dans le four.

SI AUCUNE DE CES RÉPONSES RÉSOUT LE PROBLÈME, CONTACTEZ UN TECHNICIEN QUALIFIÉ. N'ESSAYEZ PAS D'AJUSTER OU DE RÉPARER LE FOUR VOUS-MÊME.

SERVICE À LA CLIENTÈLE

IMPORTANT

NE PAS RETOURNER CE PRODUIT AU MAGASIN

Si vous avez un problème avec ce produit, veuillez communiquer avec le Centre De Satisfaction De La Clientèle de W Appliance Co. au 1-855-855-0294.

PREUVE D'ACHAT DATÉE, # DE MODÈLE ET # DE SÉRIE SONT REQUIS POUR LE SERVICE SOUS GARANTIE

DÉPANNAGE ET GARANTIE

DÉPANNAGE

Localisez votre problème en utilisant le tableau ci-dessous. Si le four à micro-ondes ne fonctionne toujours pas correctement, contactez le centre de service à la clientèle W Appliance Co. ou centre de service autorisé le plus proche. Les clients ne doivent jamais dépanner les composants internes. Les fours à micro-ondes retiennent une tension dangereuse (5000V) même après que le courant est coupé. Seul un technicien certifié devrait essayer la réparation de four à micro-ondes.

SYMPTÔME	POSSIBLE CAUSE	POSSIBLE REMEDY
Le four ne fonctionne pas	A. Le cordon électrique du four n'est pas branché. B. La porte est ouverte. C. Mauvaise opération est réglée.	A. Branchez dans la prise. B. Fermez la porte et réessayez. C. Vérifiez les instructions.
Arcage ou étincelage	A. Des matériaux à éviter dans le four à micro-ondes, telles que des métaux, ont été utilisées. B. Le four est allumé lorsqu'il est vide. C. La nourriture renversée reste dans la cavité.	A. Utilisez des ustensiles de cuisson micro-ondes seulement. B. Ne pas opérer quand le four est vide. C. Nettoyez la cavité avec une serviette humide.
Aliments cuits inégalement	A. Des matériaux à éviter dans le four à micro-ondes ont été utilisés. B. La nourriture n'est pas complètement dégivré. C. Temps de cuisson, niveau de puissance ne convient pas. D. La nourriture n'est pas tournée ou agitée.	A. Utilisez des ustensiles de cuisson micro-ondes seulement. B. Dégivrez complètement les aliments. C. Utilisez le temps de cuisson, niveau de puissance exacte. D. Tourner ou remuer les aliments.
Aliments trop cuits	Temps de cuisson, niveau de puissance ne convient pas.	Utilisez le bon temps de cuisson et le niveau de puissance.
Aliments peu cuits	A. Des matériaux à éviter dans le four à micro-ondes ont été utilisés. B. La nourriture n'est pas complètement dégivré. C. Les ports de ventilation du four sont restreints. D. Temps de cuisson, niveau de puissance ne convient pas.	A. Utilisez des ustensiles de cuisson micro-ondes seulement. B. Dégivrez complètement les aliments. C. Vérifiez que les ports de ventilation du four ne sont pas restreints. D. Utilisez le bon temps de cuisson et le niveau de puissance.
Dégivrage inapproprié	A. Des matériaux à éviter dans le four à micro-ondes ont été utilisés. B. Temps de cuisson, niveau de puissance ne convient pas. C. La nourriture n'est pas tournée ou agitée.	A. Utilisez des ustensiles de cuisson micro-ondes seulement. B. Utilisez le bon temps de cuisson et le niveau de puissance. C. Tourner ou remuer les aliments.

GARANTIE LIMITÉE

La marque Commercial Chef est utilisée sous licence. Toute réparation, remplacement ou réparation sous garantie, et toutes les questions sur ce produit doivent être adressées à W Appliance Co. à 1 (855) 855-0294 depuis les États-Unis ou de Porto Rico.

W Appliance Co. garantit à l'acheteur original que le produit sera exempt de défauts de matériel, de pièces et de fabrication pour la période désignée pour ce produit. La garantie commence le jour, le produit est acheté et couvre une période de **1 an (12 mois) pour le travail/1 an (12 mois) pour les pièces (uniquement les défauts de fabrication)/5 ans (60 mois) sur le tube de magnétron pour four à micro-ondes (la pièce seulement).**

W Appliance Co. accepte qu'il, à sa discrétion, remplacera le produit défectueux avec soit un équivalent micro-onde neuf ou remanufacturé équivalent à votre achat original pendant la période de garantie. Si la période de garantie de la Pièce dépasse la période de garantie du Travail, W Appliance Co. fournira sans frais pour le reste de la garantie de la Pièce, toutes pièces de rechange neuves ou remanufacturées tel qu'exigé par le produit. Durant cette période, tout le travail et les frais de service deviendront la responsabilité du client. Exclusions: Cette garantie ne s'applique pas aux items ci-dessous:

1. Si l'appareur ou l'extérieur du produit a été endommagé ou déformé, altérés ou modifiés dans la conception ou la construction.
2. Si le numéro de série original a été modifié ou supprimé ou ne peut être déterminée facilement.
3. Si il est endommagé en raison de la surtension, les dommages au cordon d'alimentation causés par l'utilisateur ou la connexion à une source de tension incorrecte.
4. Si le dommage résulte de la mauvaise utilisation générale, des accidents ou des cas de force majeure.
5. Si les réparations sont effectuées par des agents de service non autorisés, l'utilisation des pièces autres que des pièces originales ou pièces obtenues auprès de personnes autres que les entreprises de services autorisées.
6. Sur les unités qui ont été transférées du propriétaire original.
7. Sur les produits qui ont été achetés comme remis à neuf, comme neuf, d'occasion, dans des termes "Tel Quel" ou "Vente Finale".
8. Aux produits utilisés dans un contexte commercial ou de location.
9. Aux produits utilisés dans des environnements autres que d'un usage domestique ou utilisé autrement que conformément aux instructions fournie.
10. Pour les dommages pour les appels de service pour les installations incorrects.
11. Pour les dommages aux garnitures décoratives, finitions de l'appareil ou de maison encourus lors de l'installation.
12. Pour le verre ou les ampoules remplaçables.
13. Transport et frais d'expédition.
14. Main d'œuvre après les 12 premiers mois.
15. Perte de nourriture pour la perte en raison de la défaillance du produit ou le retard dans le service, de réparation ou de remplacement.
16. Pour les frais survenus pour le service après heures, fin de semaine, frais de vacances, charges et frais de kilométrage pour les appels de service dans les régions éloignées.
17. Les frais pour rendre le produit disponible pour le service, tels que l'enlèvement des garnitures, des étagères, etc. qui ne font pas partie de l'appareil.
18. Les appels de service pour installer ou rectifier l'installation de votre micro-ondes.
19. Les appels de service pour vous enseigner comment utiliser votre four à micro-ondes.
20. Les appels de service pour réparer ou remplacer le fusible domestique, réinitialiser le disjoncteur ou corriger le câblage dans la maison.

REPARATION OU REMPLACEMENT SELON LES TERMES DE CETTE GARANTIE EST LE RECOURS EXCLUSIF DU CLIENT; W Appliance Co. DÉCLINE TOUTE RESPONSABILITÉ POUR TOUT DOMMAGE INDIRECT OU ACCESSOIRE POUR VIOLATION DE TOUTE GARANTIE EXPRESSE OU IMPLICITE SUR CE PRODUIT, SAUF DANS LA MESURE INTERDITE PAR LA LOI APPLICABLE. TOUTE GARANTIE IMPLICITE DE QUALITÉ MARCHANDE OU D'APTITUDE À UN USAGE PARTICULIER SUR CE PRODUIT EST LIMITÉE À LA DURÉE DE LA GARANTIE.

Certains États n'autorisent pas l'exclusion ou limitation de dommages accessoires ou indirects, ou la limitation sur la durée de la garantie. Dans ces cas les exclusions ou limitations ci-dessus peuvent ne pas s'appliquer à vous. Cette garantie vous donne des droits légaux précis, et vous pourriez aussi avoir d'autres droits légaux qui varient d'un état à l'autre.

Obtention de Service: Pour obtenir un service, documentation sur les produits, des fournitures ou des accessoires, veuillez appeler 1 (855) 855-0294 pour créer un billet pour échange/réparation. Veuillez vous assurer de fournir la date d'achat, numéro de modèle et une brève description du problème. Notre représentant du service à la clientèle vous contactera ou vous enverra des instructions détaillées de retour. W Appliance Co. ne garantit pas que l'appareil fonctionnera correctement dans toutes les conditions environnementales et ne fait aucune garantie et représentation, soit implicite ou explicite, en ce qui concerne la qualité, performance, qualité marchande ou aptitude à un usage particulier autre que celui identifié dans ce manuel de l'utilisateur. W Appliance Co. a fait tous les efforts pour s'assurer que ce manuel de l'utilisateur est précis et décline toute responsabilité pour les inexactitudes ou les omissions qui aurait pu survenir. Les informations contenues dans ce manuel de l'utilisateur sont sujettes à modification sans préavis et ne représente pas un engagement de la part de W Appliance Co. W Appliance Co. se réserve le droit d'apporter des améliorations à ce manuel de l'utilisateur et/ou aux produits décrits dans ce manuel de l'utilisateur à tout moment sans préavis. Si vous trouvez des informations dans ce manuel qui sont erronées, trompeuses ou incomplètes, veuillez nous contacter à 1-855-855-0294.

W Appliance Co.,
1356 Broadway
New York, NY 10018



© 2018 Commercial Chef is a W Appliance Company.
All Rights Reserved.