

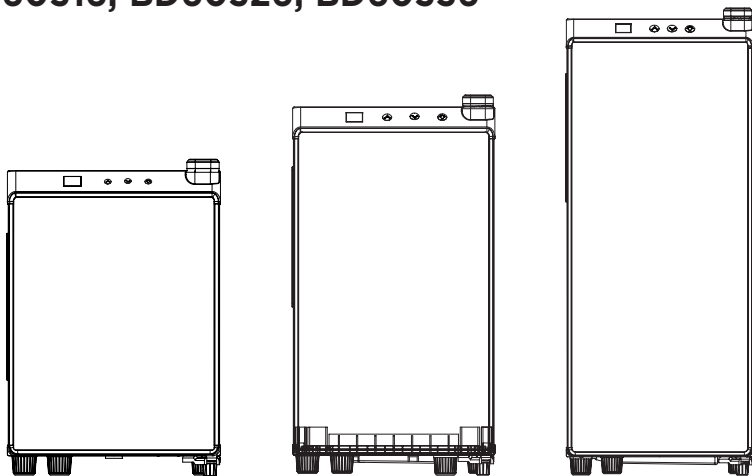
# BLACK+<sup>®</sup> DECKER

## 6-BOTTLE, 8-BOTTLE, 12-BOTTLE CAPACITY WINE CELLAR

### INSTRUCTION MANUAL

CATALOG NUMBER

BD60316, BD60326, BD60336



Thank you for choosing BLACK+DECKER!

**PLEASE READ BEFORE RETURNING THIS PRODUCT FOR ANY REASON.**

If you have a question or experience a problem with your BLACK+DECKER purchase, go to [www.blackanddecker.com/instantanswers](http://www.blackanddecker.com/instantanswers)

If you can't find the answer or do not have access to the Internet, call 844-299-0879 from 10:30 a.m. to 6:30 p.m. EST Mon. - Fri. to speak with an agent. Please have the catalog number available when you call.

**SAVE THIS MANUAL FOR FUTURE REFERENCE.**



# CONTENTS

## SAFETY INFORMATION

Important Safety Instructions.....	4-6
Grounding Instructions.....	5

## SET UP & USE

Parts & Features .....	7-9
Installation Guide.....	10
Operation Guide.....	10-11
Benefits of Thermal Electric Cooling.....	11

CLEANING & CARE.....	12
----------------------	----

TROUBLE SHOOTING & WARRANTY.....	13-14
----------------------------------	-------

Before You Call For Service.....	13
Customer Service.....	13
Troubleshooting.....	13
Limited Warranty.....	14

# PRODUCT REGISTRATION

Thank you for purchasing our BLACK+DECKER product. This easy-to-use manual will guide you in getting the best use of your wine cellar.

Remember to record the model and serial numbers. They are on a label on the back of the product.

Staple your receipt to your manual. You will need it to obtain warranty service.

\_\_\_\_\_  
Model number

\_\_\_\_\_  
Serial number

\_\_\_\_\_  
Date of purchase

# SAFETY INFORMATION

## DANGER

**DANGER** - Immediate hazards which **WILL** result in severe personal injury or death

## WARNING

**WARNING** - Hazards or unsafe practices which **COULD** result in severe personal injury or death

## CAUTION

**CAUTION** - Hazards or unsafe practices which **COULD** result in minor personal injury

# IMPORTANT SAFETY INSTRUCTIONS

## WARNING

When using electrical appliances, basic safety precautions should be followed, including the following:  
**READ ALL INSTRUCTIONS BEFORE USING THE UNIT**

1. Read all of the instructions before using this appliance.
2. This wine cellar must be properly installed in accordance with the installation instructions before it is used. See grounding instructions in the installation section.
3. Never unplug the wine cellar by pulling on the power cord. Always grasp the plug firmly and pull straight out from the outlet.
4. Repair or replace immediately, all electric service cords that have become frayed or otherwise damaged. Do not use a cord that shows cracks or abrasion damage along its length, the plug or the connector end.
5. Unplug the wine cellar before cleaning or before making any repairs.  
**NOTE:** If for any reason this product requires service, we strongly recommend that a certified technician performs the service.
6. If the wine cellar is not being used, we recommend to remove the door and leave the shelves in place. This will reduce the possibility of danger to children.
7. This wine cellar should not be recessed or built-in an enclosed cabinet. It is designed for freestanding installation only. Allow 2" of space between the cooler's side and wall and 4" between the back and wall.
8. Do not operate wine cellar in the presence of explosive fumes.
9. Do not store foods in wine cellar as interior temperature may not be cool enough to prevent spoilage.

## SAVE THESE INSTRUCTIONS HOUSEHOLD USE ONLY

## DANGER

Risk of child entrapment. Before disposing of any refrigerator or freezer, remove all doors. Leave any shelves in place so that children may not easily climb inside.

# SAFETY INFORMATION

## GROUNDING INSTRUCTIONS

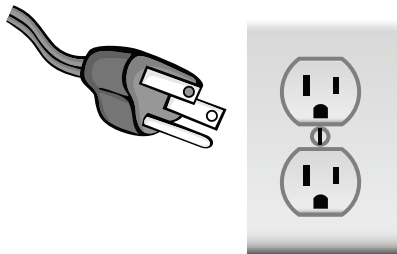
### ELECTRICAL REQUIREMENTS

In the event of malfunction or breakdown, grounding provides a path of least resistance for electric current to reduce the risk of electric shock. The appliance must be connected to a cord having an equipment-grounding conductor and a grounding plug. The plug must be plugged into an appropriate outlet that is properly installed and grounded in accordance with all local codes and ordinances.

**⚠ DANGER** - Improper connection of the equipment grounding conductor can result in a risk of electric shock. The conductor with insulation having an outer surface that is green with or without yellow stripes is the equipment grounding conductor. If repair or replacement of the cord or plug is necessary, do not connect the equipment-grounding conductor to a live terminal. Check with a qualified electrician or service person if the grounding instructions are not completely understood, or if in doubt as to whether the [tool/appliance] is properly grounded. Do not modify the plug connected to the [tool/appliance] - if it will not fit the outlet, have a proper outlet installed by a qualified electrician.

FOR GROUNDED, CORD-CONNECTED [TOOL/APPLIANCE] RATED LESS THAN 15A AND INTENDED FOR USE ON A NOMINAL 120V SUPPLY CIRCUIT

The appliance is for use on a nominal 120V circuit and should be connected to a grounding outlet that looks like the one illustrated below. The use of a temporary adaptor is not recommended.



# SAFETY INFORMATION

## POWER SUPPLY CORD

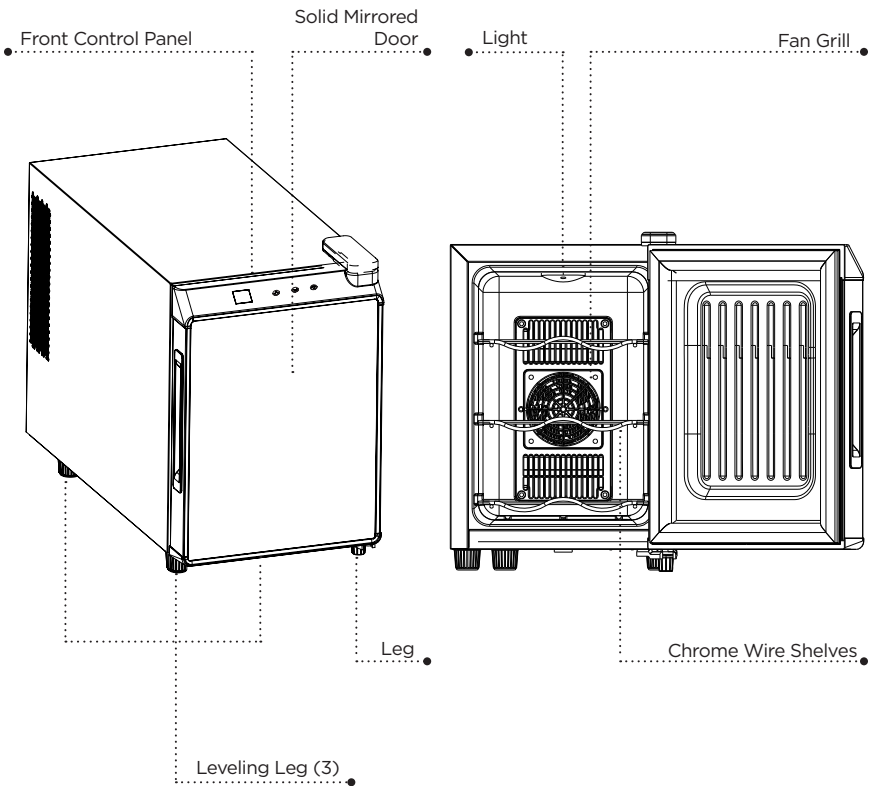
1. Avoid the use of an extension cord because of potential safety hazards under certain conditions. Have a qualified electrician or serviceman to install an outlet near the appliance.
2. If it is absolutely necessary to use an extension cord, extreme care must be exercised.
  - a) Use only a grounding type 3-wire extension cord that has a 3-blade grounding plug and a 3-slot receptacle that will accept the plug on the appliance.
  - b) The marked electrical rating of the extension cord must equal to or greater than the electrical rating of the appliance. The longer cord should be arranged so that it will not drape over the counter top or table top where it can be pulled on by children or tripped over unintentionally.

**NOTE:** Neither **BLACK+DECKER** nor the dealer can accept any liability for damage to the product or personal injury resulting from failure to observe the electrical connection procedures.

# SET UP & USE

## PARTS & FEATURES

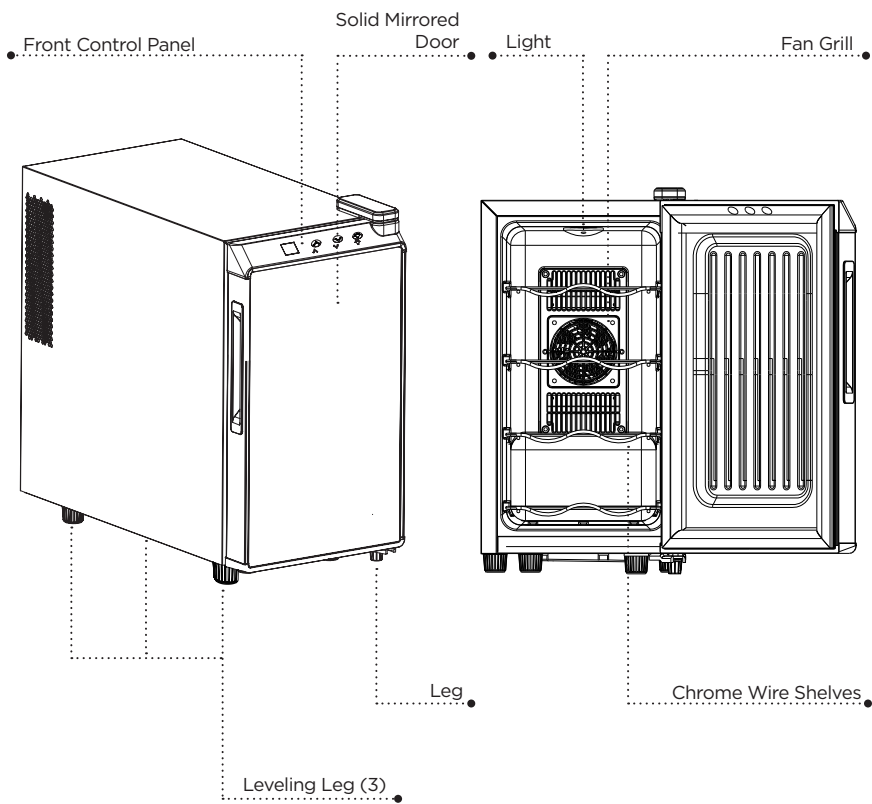
Model	Bottle Capacity	Number of Shelves	Temperature Range
BD60316	6	2	46° - 66°F



# SET UP & USE

## PARTS & FEATURES

Model	Bottle Capacity	Number of Shelves	Temperature Range
BD60326	8	4	46° - 66°F

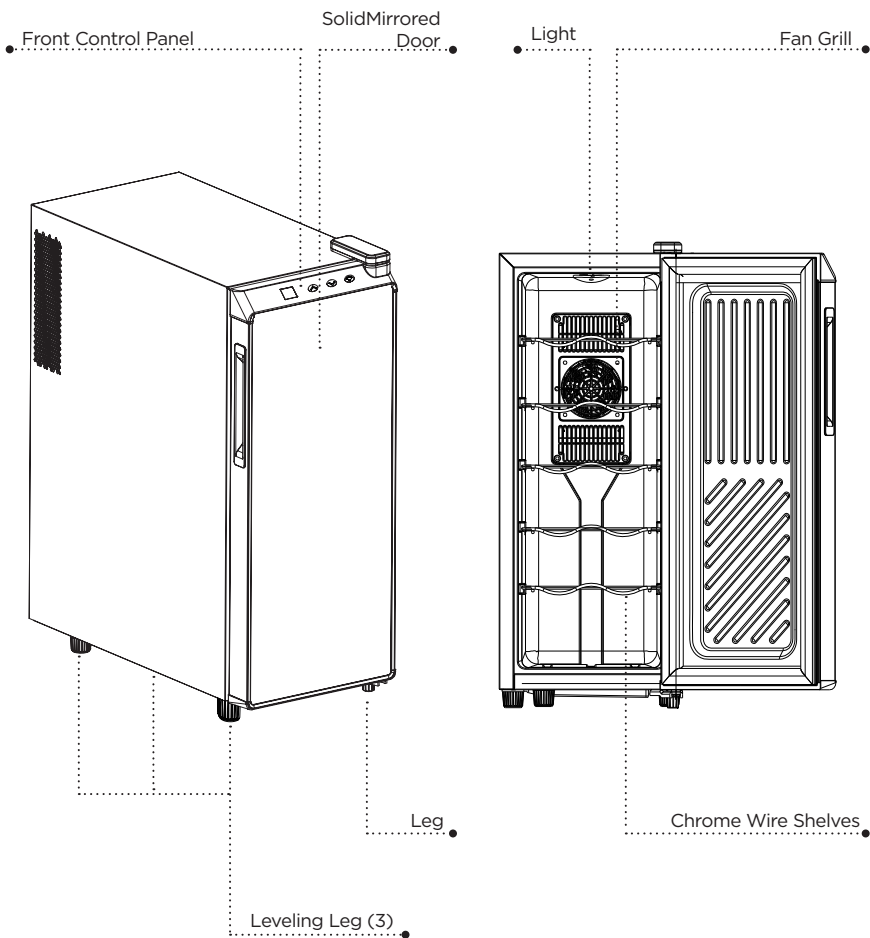




# SET UP & USE

## PARTS & FEATURES

Model	Bottle Capacity	Number of Shelves	Temperature Range
BD60336	12	5	46° - 66°F





# SET UP & USE

## INSTALLATION GUIDE

1. Unpack your wine cellar by removing all packaging materials like carton, base, foams, adhesive tape, etc.
2. Remove all accessories, internal packaging material that was used to hold shelves, etc., in place during transport.
3. Clean the remains of all adhesive tape used and remove all printed material supplied.
4. Install the wine cellar in a convenient location away from extreme heat and cold. Allow sufficient clearance between the wine cellar and side wall so the door(s) will open without obstruction. Wine cellar is not designed for recessed or built-in installation.
5. The floor on which the wine cellar should be placed must be flat, hard, solid, and even. The wine cellar should not be placed on any soft material such as carpet, foam, plastic, etc.
6. To level your wine cellar, use the two leveling legs in the rear and one in the front left of your wine cellar. Adjust by turning the legs counter clockwise to raise or counterclockwise to lower your wine cellar.  
**NOTE:** The front right leg that is part of the door hinge bracket is not adjustable.
7. The following are recommended minimum clearances around the wine cellar for proper air circulation:  
Sides: 2" (50mm)  
Top: 4" (100mm)  
Back: 4" (100mm)  
Proper air circulation will help your wine cellar work at maximum efficiency.

**NOTE:** Allow enough space in the front of the unit to open door to at least 120°.

## OPERATION GUIDE

1. Plug in the wine cellar to power the unit on.
2. You may choose a temperature setting for your wine cellar within the range of 46° to 66° Fahrenheit . The temperature of your wine cellar can be set by pressing the up arrow  on the exterior of the door you can raise the temperature. By pressing the down arrow  on the exterior of the door you can lower the temperature. Once you have completed your set temperature selection, the temperature readout will revert to the actual temperature.

## SET UP & USE



Temperature  
display

Interior  
Light  
Indicator



Warmer  
setting



Colder  
setting




Interior  
Light  
Switch

Please note that the actual interior cabinet temperature in a thermal electric unit is dependent on the ambient (room) temperature. You may set the cabinet temperature within the operational range but due to high ambient temperature the unit may not reach the selected temperature.

As an example, when the ambient temperature is 72°F, the lowest interior cabinet temperature that can be reached is 46-48°F. When the ambient temperature is 89°F, the lowest interior cabinet temperature that can be reached is 50-56°F.

**NOTE:** When the ambient (room) temperature is below the set temperature, the wine cellar will not operate until the ambient temperature increases higher than the set temperature.

3. Allow the wine cellar to operate empty for approximately one hour. This should allow the unit to reach the desired temperature.
4. Fill the wine cellar with your choice of wine bottles. Allow 1-2 hours of operation to reach the desired temperature.
5. Your wine cellar has a light to display your wine bottles. The manually operated light switch  is located on the touch control panel. A small illuminated circle will appear on the bottom right side on the temperature display to indicate the light is on.

**NOTE:** The interior light should not be kept ON when the door is closed and not in use. Touch the Interior Light Switch Symbol to shut it OFF and close the door. The interior light indicator will not appear on the bottom right of the temperature display.

## BENEFITS OF THERMAL ELECTRIC COOLING

Thermal Electric or semiconductor technology is an environmentally friendly cooling process which does not use any CFC, HCFC or HCF-type of refrigerants which are harmful to the environment.

The absence of a compressor reduces the noise and vibration usually associated with refrigerated appliances.

# CLEANING AND CARE

## CLEANING AND MAINTENANCE

**⚠ WARNING:** To avoid electric shock always unplug the wine cellar before cleaning. Ignoring this warning may result in death or injury.

**⚠ CAUTION:** Before using cleaning products, always read and follow manufacturer's instructions and warnings to avoid personal injury or product damage.

- General:**
- Prepare a cleaning solution of 3-4 tablespoons of baking soda mixed with warm water. Use sponge or soft cloth, dampened with the cleaning solution to wipe down your wine cellar.
  - Rinse with clean warm water and dry with a soft cloth.
  - Do not use harsh chemicals, abrasives, ammonia, chlorine bleach, concentrate detergents, solvents or metal scouring pads. SOME of these chemicals may dissolve, damage and / or discolor your wine cellar.

### **Power Interruptions**

Occasionally there may be power interruptions due to thunderstorms or other events. Remove the power cord from AC outlet when a power outage occurs. When power has been restored, replugin power cord to AC outlet.

### **Vacation and Moving Care**

For long vacations or absences, unplug the unit, empty contents from wine cellar and clean the wine cellar and door gaskets according to "General Cleaning" section. Prop doors open, so air can circulate inside. When moving always move the wine cellar vertically. **Do not move or store the unit on its side.**

# TROUBLESHOOTING & WARRANTY

## BEFORE YOU CALL FOR SERVICE

IF THE UNIT FAILS TO OPERATE:

- A) Check to make sure that the unit is plugged in securely. If it is not, remove the plug from the outlet, wait 10 seconds and plug it in again securely.
- B) Check for a blown circuit fuse or a tripped main circuit breaker. If these seem to be operating properly, test the outlet with another appliance.

IF NONE OF THE ABOVE SOLVES THE PROBLEM, CONTACT A QUALIFIED TECHNICIAN. DO NOT TRY TO ADJUST OR REPAIR THE WINE CELLAR YOURSELF

## IMPORTANT

### DO NOT RETURN THIS PRODUCT TO THE STORE

If you have a problem with this product, please contact the **BLACK+DECKER Customer Satisfaction Center** at **844-299-0879** or **service@equitybrands.com**

**DATED PROOF OF PURCHASE, MODEL # AND SERIAL # REQUIRED FOR WARRANTY SERVICE**

## TROUBLESHOOTING

Troubleshoot your problem by using the chart below. If the unit still does not work properly, contact customer service center or the nearest authorized service center. Customer must never troubleshoot internal components.

<b>SYMPTOMS</b>	<b>POSSIBLE CAUSE</b>	<b>SOLUTIONS</b>
The wine cellar does not work.	There is a power failure.  A circuit breaker has activated.	Ensure the cellar is plugged in and the power socket is turned on.  Reset circuit breaker.
Wine cellar is not reaching the desired temperature	The cellar is placed too close to a heat source  No sufficient ventilation  The door is opened too frequently or for a long period of time.	Keep the cellar away from sunshine or other heat sources.  Place the wine cellar in good ventilation and keep any items away from the fans.  Close the door tightly and do not open the door too frequently or for a long period of time.
Frost forming in the wine cellar	Too much humidity.  The ambient temperature is too low.	Unplug to defrost, plug again after the frost thaws.

# LIMITED WARRANTY

## LIMITED WARRANTY

Any repair, replacement, or warranty service, and all questions about this product should be directed to BLACK+DECKER at **844-299-0879** from the USA or Puerto Rico.

BLACK+DECKER warrants to the original purchaser that the product will be free from defects in material, parts and workmanship for the period designated for this product. The warranty commences the day the product is purchased and covers up to a period of **1 year (12 months) for labor/1 year (12 months) for parts (manufacturing defects only)**. BLACK+DECKER agrees that it will, at its option, replace the defective product with either a new or remanufactured unit equivalent to your original purchase during the warranty period.

**Exclusions:** This warranty does not apply to the below:

1. If the appearance or exterior of the product has been damaged or defaced, altered or modified in design or construction.
2. If the product original serial number has been altered or removed or cannot be readily determined.
3. If there is damaged due to power line surge, user damage to the AC power cord or connection to improper voltage source.
4. If damage is due to general misuse, accidents or acts of God.
5. If repair attempts are done by unauthorized service agents, use of parts other than genuine parts or parts obtained from persons other than authorized service companies.
6. On units that have been transferred from the original owner.
7. On products that have been purchased as refurbished, like new, second-hand, in a "As-Is" or "Final Sale" terms.
8. To products used in a commercial or rental setting.
9. To products used in settings other than ordinary household use or used other than in accordance with the provided instructions.
10. To damages for service calls for improper installations.
11. Transportation and shipping costs associated with the replacement of the unit.
12. Service calls to instruct you how to use your product.
13. Service calls to repair or replace the house fuse, reset the circuit breaker or correct the wiring in the house.

REPAIR OR REPLACEMENT AS PROVIDED UNDER THIS WARRANTY IS THE EXCLUSIVE REMEDY OF THE CUSTOMER; BLACK+DECKER. SHALL NOT BE LIABLE FOR ANY INCIDENTAL OR CONSEQUENTIAL DAMAGES FOR BREACH OF ANY EXPRESS OR IMPLIED WARRANTY ON THIS PRODUCT, EXCEPT TO THE EXTENT PROHIBITED BY APPLICABLE LAW. ANY IMPLIED WARRANTY OF MERCHANTABILITY OF FITNESS FOR A PARTICULAR PURPOSE ON THIS PRODUCT IS LIMITED TO THE DURATION OF THE WARRANTY.

Some states do not allow the exclusion or limitations of incidental or consequential damages, or limitations on how long the warranty lasts. In these cases the above exclusions or limitations may not apply to you. This warranty gives you specific legal rights and you may also have other rights which vary from state to state.

**Obtaining Service:** To obtain service, product literature, supplies or accessories please call **844-299-0879** to create a ticket for exchange/repair. Please make sure to provide the date of purchase, model number and a brief description of the problem. Our customer service representative will contact you or send detailed return instructions.

BLACK+DECKER does not warrant that the appliance will work properly in all environmental conditions, and makes no warranty and representation, either implied or expressed, with respect to the quality, performance, merchantability, or fitness for a particular purpose other than the purpose identified within this user's manual. BLACK+DECKER has made every effort to ensure that this user's manual is accurate and disclaims liability for any inaccuracies or omissions that may have occurred. Information in this user's manual is subject to change without notice and does not represent a commitment on the part of BLACK+DECKER. BLACK+DECKER reserves the right to make improvements to this user's manual and/or to the products described in this user's manual at any time without notice. If you find information in this manual that is incorrect, misleading, or incomplete, please contact us at **844-299-0879**.

W Appliance Co.  
1356 Broadway  
New York, NY 10018

**This appliance is designed for free standing installation only.**

- **This appliance is intended to be used in household and similar applications:**
  - **Staff kitchen areas in shops, offices and other working environments;**
  - **Farmhouses and by clients in hotels, motels and other residential type environments;**
  - **Bed and breakfast type environments;**
  - **Catering and similar non-retail applications.**





BLACK & DECKER, BLACK+DECKER, the BLACK & DECKER and BLACK+DECKER logos and product names and the orange and black color scheme are trademarks of The Black & Decker Corporation, used under license. All rights reserved.

Product in this box may differ slightly from that pictured. Does not affect function. Not all accessories shown in photography are included in this package.

Imported by W Appliance, Inc., 1356 Broadway, New York, NY 10018



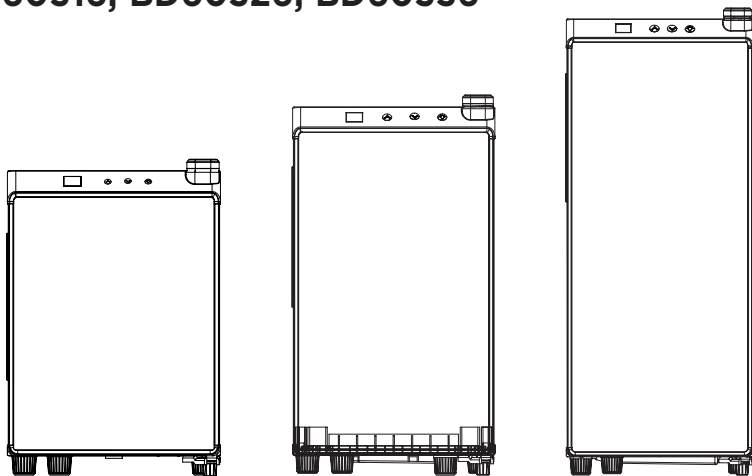
# BLACK+<sup>®</sup> DECKER

**BODEGA PARA VINOS CON CAPACIDAD DE  
6, 8, Y 12 BOTELLAS**

**MANUAL DE INSTRUCCIONES**

**NÚMERO DE CATÁLOGO**

**BD60316, BD60326, BD60336**



**¡Gracias por elegir BLACK+DECKER!**

**POR FAVOR, LEA ESTE MANUAL ANTES DE DEVOLVER ESTE  
PRODUCTO POR CUALQUIER MOTIVO.**

Si tiene alguna pregunta o tiene algún problema con su producto de

BLACK+DECKER vaya a [www.blackanddecker.com/instantanswers](http://www.blackanddecker.com/instantanswers)

Si no puede encontrar la respuesta a su pregunta o no tiene acceso a Internet,  
llame al 844-299-0879 de 10:30 a 18:30 EST de lunes a viernes para hablar con  
un agente. Por favor, tenga el número de catálogo a mano cuando llame.

**GUARDE ESTE MANUAL PARA SU REFERENCIA EN EL  
FUTURO.**



# CONTENIDO

## INFORMACIÓN DE SEGURIDAD

Instrucciones importantes de seguridad .....	22-24
Instrucciones de conexión a tierra.....	23

## CONFIGURACIÓN Y USO

Partes y funcionalidades .....	25-27
Guía de instalación.....	28
Guía de operación .....	28-29
Beneficios del enfriamiento térmico eléctrico.....	29

LIMPIEZA Y CUIDADO .....	30
--------------------------	----

## SOLUCIÓN DE PROBLEMAS Y GARANTÍA.....31-32

Antes de llamar al Servicio Técnico .....	31
Atención al cliente .....	31
Resolución de problemas .....	31
Garantía limitada.....	32

# REGISTRO DEL PRODUCTO

¡Gracias por comprar nuestro producto BLACK+DECKER! Este manual fácil de usar le guiará para darle el mejor uso a su bodega para botellas de vino.

Recuerde anotar el número de modelo y el número de serie. Están en una etiqueta en la parte posterior del producto.

Grape o adjunte su recibo a su manual. Lo necesitará para acceder el servicio de garantía.

\_\_\_\_\_  
Nº de modelo

\_\_\_\_\_  
Nº de serie

\_\_\_\_\_  
Fecha de compra

# INFORMACIÓN DE SEGURIDAD



## PELIGRO

**PELIGRO** - Amenazas inmediatas que resultarán en lesiones personales graves o la muerte



## ADVERTENCIA

**ADVERTENCIA** - Peligros o prácticas inseguras que pueden resultar en lesiones personales graves o la muerte



## PRECAUCIÓN

**PRECAUCIÓN** - Peligros o prácticas inseguras que PODRÍAN resultar en lesiones personales menores

# INSTRUCCIONES IMPORTANTES DE SEGURIDAD



## ADVERTENCIA

Cuando utilice electrodomésticos, debe seguir algunas medidas básicas de seguridad, entre las que se incluyen:  
**LEA TODAS LAS INSTRUCCIONES ANTES DE USAR LA UNIDAD**

1. Lea todas las instrucciones antes de usar este electrodoméstico.
2. Esta bodega para vinos debe ser instalada debidamente de acuerdo con las instrucciones de instalación antes de ser utilizada. Vea las instrucciones de conexión a tierra en la sección de instalación.
3. Nunca desconecte su bodega para vinos tirando del cable de alimentación. Siempre tome el enchufe firmemente y tire hacia afuera de la toma.
4. Repare o reemplace de inmediato todos los cables de alimentación eléctrica que se hayan pelado o dañado de otra manera. No use un cable que presente grietas o daños de abrasión a lo largo del cable, el enchufe o el extremo del conector.
5. Desconecte su bodega para vinos antes de limpiarla o realizar cualquier reparación.  
**NOTA:** Si por alguna razón este producto requiere servicio, le recomendamos encarecidamente que un técnico certificado lo lleve a cabo.
6. Si no está usando su bodega para vinos, le recomendamos que quite la puerta y deje los estantes en su lugar. Esto reducirá las posibilidades de peligro para los niños.
7. Esta bodega para vinos no debe ser empotrada o colocada en un armario cerrado. Está diseñada solamente para su instalación de manera independiente. Deje 2" (5 cm) de espacio entre los lados de la bodega y la pared y 4" (10cm) entre la parte posterior y la pared.
8. No opere su bodega para vinos en la presencia de gases explosivos.
9. No almacene alimentos en la bodega para vinos ya que su temperatura interior puede no ser suficiente para prevenir que se echen a perder.

# CONSERVE ESTAS INSTRUCCIONES SOLO PARA USO DOMÉSTICO



## PELIGRO

Riesgo de atrapamiento de niños. Antes de desechar cualquier congelador o refrigerador, retire la(s) puerta(s).  
Deje los estantes en su lugar para que los niños no puedan meterse dentro.

# INFORMACIÓN DE SEGURIDAD

## INSTRUCCIONES DE CONEXIÓN A TIERRA

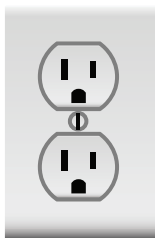
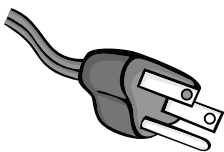
### REQUISITOS ELÉCTRICOS

En caso de mal funcionamiento o avería, la conexión a tierra reducirá el riesgo de descarga eléctrica al proporcionar una ruta de menor resistencia para la corriente eléctrica. Este aparato debe estar conectado con un cable que posea un conductor de conexión a tierra y enchufe con conexión a tierra. El enchufe debe estar enchufado en una toma de corriente apropiada que esté correctamente instalada y conectada a tierra de acuerdo con todos los códigos y ordenanzas locales.

**⚠ PELIGRO** - Una conexión incorrecta del conductor para la conexión a tierra puede causar una descarga eléctrica. El conductor con aislamiento de color verde con o sin franjas amarillas es el conductor de puesta a tierra del equipo. Si es necesario reparar o reemplazar el cable eléctrico o el enchufe, no conecte el conductor de conexión a tierra del equipo a un terminal activo. Consulte a un electricista calificado o personal de servicio si las instrucciones de conexión a tierra no se comprenden completamente o si tiene dudas sobre si el electrodoméstico está conectado a tierra correctamente. No modifique el enchufe que viene con el electrodoméstico. Si este no encaja en la toma de corriente, pida a un electricista que instale una toma de corriente adecuada. Este aparato debe estar conectado con un cable que posea un conductor de conexión a tierra y enchufe con conexión a tierra. El enchufe debe estar enchufado en una toma de corriente apropiada que esté correctamente instalada y conectada a tierra de acuerdo con todos los códigos y ordenanzas locales.

PARA ELECTRODOMÉSTICOS CON CONEXIÓN A TIERRA MEDIANTE CABLE CON CONSUMO NOMINAL INFERIOR A 15 AMPERIOS Y DISEÑADOS PARA SU USO EN UNA RED ELÉCTRICA DE 120V NOMINALES

El electrodoméstico debe usarse en un circuito de 120V nominales y debe conectarse a una toma de tierra que se parezca a la que se ilustra a continuación. No se recomienda el uso de un adaptador inclusive de forma temporal.



# INFORMACIÓN DE SEGURIDAD

## CABLE DE ALIMENTACIÓN

1. Evite el uso de un cable de extensión debido a los potenciales riesgos de seguridad bajo ciertas condiciones. Pida a un electricista o técnico calificado que instale una toma de corriente cerca del electrodoméstico.
2. Si fuese absolutamente necesario utilizar un alargue o una regleta, se debe tener cuidado extremo.
  - a) Utilice solamente un cable de tensión con 3 hilos conectado a tierra que tenga un enchufe de tres clavijas conectado a tierra en una toma que acepte el tipo de enchufe del electrodoméstico.
  - b) La capacidad eléctrica marcada en el alargue o regleta debe ser igual a, o mayor que, la capacidad eléctrica del aparato. El cable más largo debe ser dispuesto de manera tal que no cuelgue de la mesada o la mesa para evitar que los niños tiren de él o que alguien se tropiece accidentalmente.

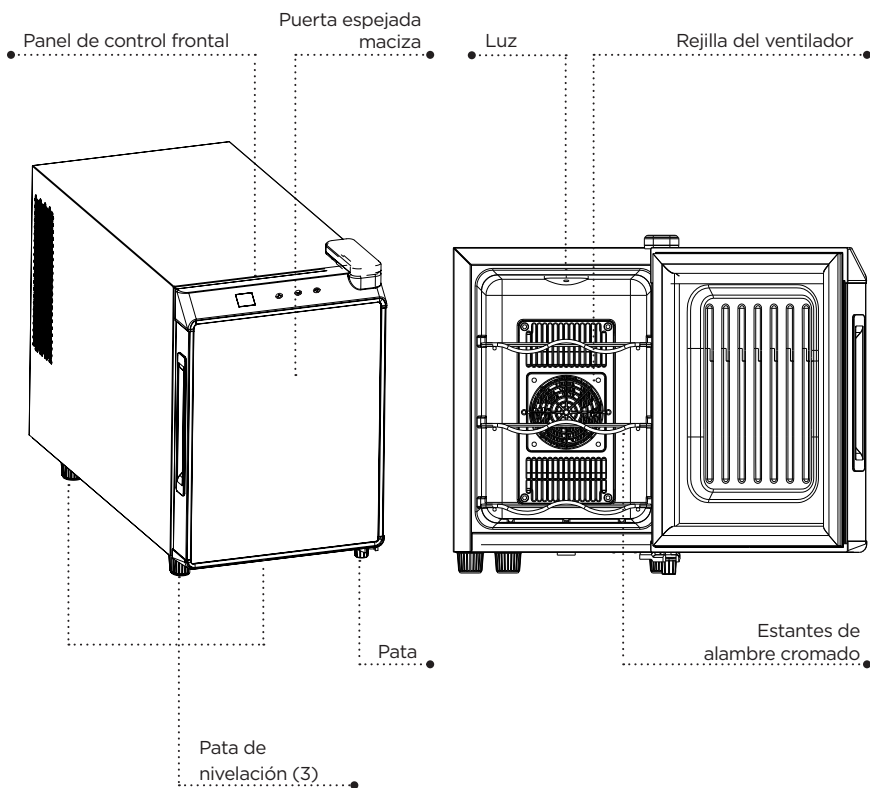
**NOTA:** Ni **BLACK+DECKER** ni el distribuidor pueden aceptar ninguna responsabilidad por daños al producto o daños personales que resulten de no respetar los procedimientos de conexión eléctrica.



# CONFIGURACIÓN Y USO

## PARTES Y FUNCIONALIDADES

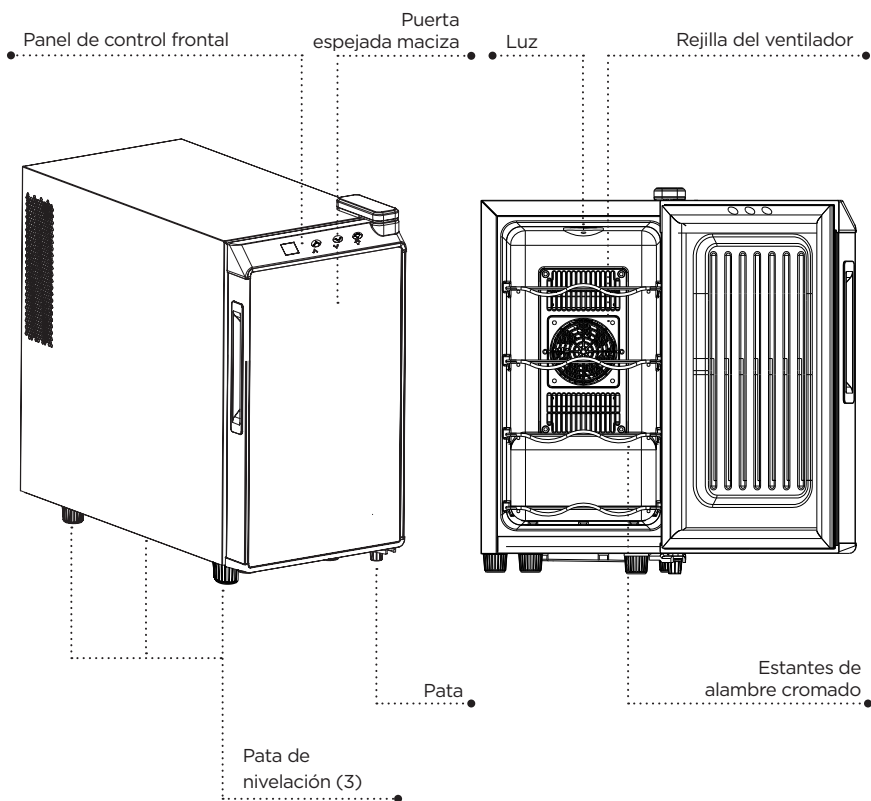
Modelo	Capacidad de botellas	Número de estantes	Rango de temperatura
BD60316	6	2	46°F a 66°F (8°C a 19°C)



# CONFIGURACIÓN Y USO

## PARTES Y FUNCIONALIDADES

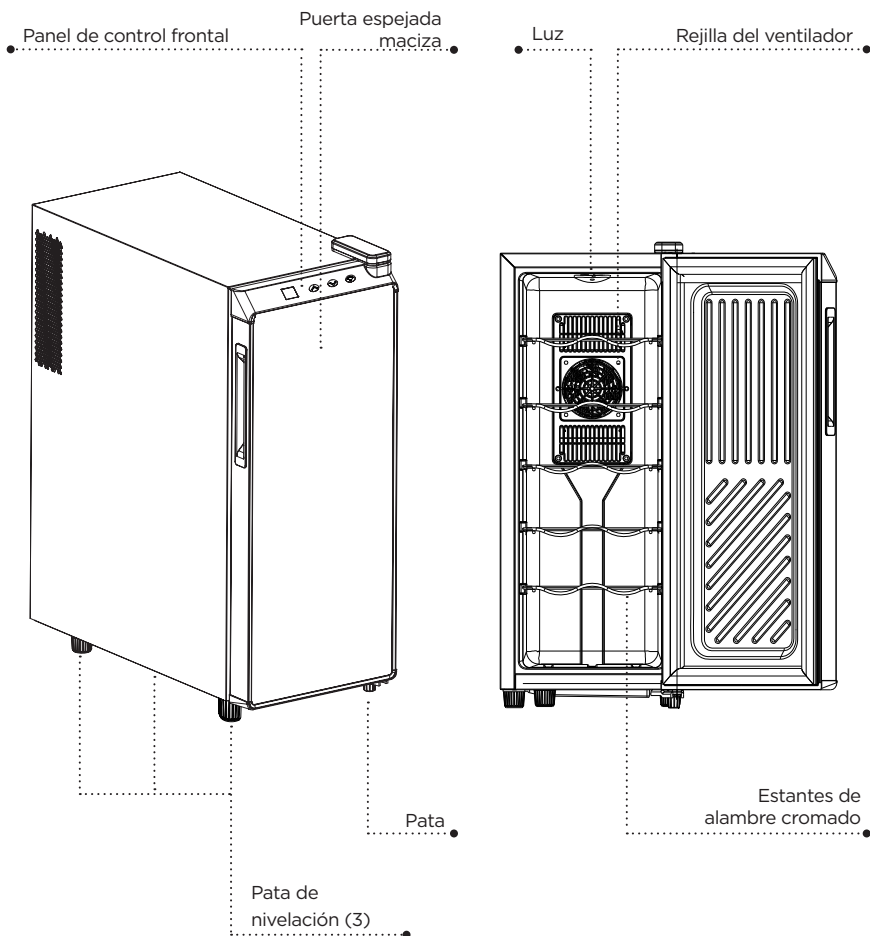
Modelo	Capacidad de botellas	Número de estantes	Rango de temperatura
BD60326	8	4	46°F a 66°F (8°C a 19°C)



# CONFIGURACIÓN Y USO

## PARTES Y FUNCIONALIDADES

Modelo	Capacidad de botellas	Número de estantes	Rango de temperatura
BD60336	12	5	46°F a 66°F (8°C a 19°C)



# CONFIGURACIÓN Y USO

## GUÍA DE INSTALACIÓN



1. Desempaque su bodega para vinos quitando todo el material de embalaje como cartón, base, espumas, cinta adhesiva, etc.
2. Quite todos los accesorios, material de embalaje interno para sostener los estantes y demás en su lugar durante el transporte.
3. Limpie los restos de toda la cinta adhesiva y quite todo el material impreso incluido.
4. Instale la bodega para vinos en un lugar conveniente lejos del calor y frío extremos. Deje un espacio suficiente entre la bodega para vinos y las paredes laterales para que la(s) puerta(s) abran sin obstrucciones. La bodega de vinos no está diseñada para su instalación empotrada.
5. El piso donde la bodega para vinos ha de ser colocada debe ser plano, duro, sólido y nivelado. La bodega para vinos no debe ser colocada sobre ningún material blando como alfombras, espuma, plástico, etc.
6. Para nivelar su bodega para vinos, utilice las dos patas niveladoras ubicadas en la parte trasera y la que se encuentra al frente a la izquierda de la misma. Ajuste girando las patas en sentido horario para elevar o en sentido antihorario para bajar su bodega para vinos.

**NOTA:** La pata delantera derecha que es parte de la bisagra de la puerta no es ajustable.

7. Lo siguiente es el espacio mínimo recomendado que deberá quedar libre alrededor de la bodega para vinos para una circulación de aire adecuada:  
Lados: 2" (50mm)  
Arriba: 4" (100mm)  
Atrás: 4" (100mm)  
Una circulación de aire adecuada ayudará a que su bodega para vino trabaje con la máxima eficiencia.

**NOTA:** Deje el espacio suficiente al frente de la unidad para poder abrir la puerta por lo menos 120°.

## GUÍA DE OPERACIÓN

1. Enchufe la bodega para vinos a la corriente para encender la unidad.
2. Puede elegir la temperatura de su bodega para vinos dentro del rango de 46°F a 66°F. La temperatura de su bodega para vinos puede ser establecida presionando la tecla de la flecha hacia arriba  en el exterior de la puerta de vidrio para aumentar la temperatura. Al presionar la tecla de la flecha hacia abajo  en el exterior de la puerta de vidrio puede reducir la temperatura. Una vez que haya seleccionado su temperatura, el indicador de temperatura volverá a mostrar la temperatura actual.

# CONFIGURACIÓN Y USO



Pantalla de temperatura

Indicador de luz interior



Ajuste más cálido



Ajuste más frío




Interruptor de luz interior

Por favor tenga en cuenta que la temperatura interior real dentro del gabinete en una unidad térmica eléctrica depende de la temperatura ambiente. Puede establecer la temperatura del gabinete dentro del rango operacional pero, debido a altas temperaturas ambiente, la unidad puede no alcanzar la temperatura seleccionada.

Como ejemplo, cuando la temperatura ambiente es de 72°F (22°C), la temperatura interior del gabinete mínima que puede ser alcanzada es 46-48°F (8-9°C). Cuando la temperatura ambiente es de 89°F (32°C), la temperatura interior del gabinete mínima que puede ser alcanzada es 50-56°F (10-13°C).

**NOTA:** Cuando la temperatura ambiente es menor que la temperatura seleccionada, la bodega para vinos no operará hasta que la temperatura ambiente sea mayor que la temperatura seleccionada.

3. Permita que la bodega para vinos opere vacía por aproximadamente una hora. Esto debería permitirle a la unidad alcanzar la temperatura deseada.
4. Llene la bodega para vinos con su selección de botellas de vinos. Permita que opere 1 a 2 horas para alcanzar la temperatura deseada.
5. Su bodega de vinos tiene una luz para visualizar sus botellas de vino. El interruptor manual para controlar la luz se  encuentra en el panel de control táctil. Un pequeño círculo luminoso aparecerá en la parte inferior derecha de la pantalla de temperatura para indicar que la luz está encendida.

**NOTA:** La luz interior no debe mantenerse encendida cuando la puerta está cerrada y no está en uso. Toque el símbolo del interruptor de luz interior para apagarlo y cerrar la puerta. El indicador de la luz interior no desaparecerá de la parte inferior derecha de la pantalla de temperatura.

## BENEFICIOS DEL ENFRIAMIENTO TÉRMICO ELÉCTRICO

La tecnología Térmica Eléctrica es un proceso de enfriamiento amigable con el medio ambiente que no usa CFC, HCFC, o refrigerantes del tipo HCF, los cuales son dañinos para el medio ambiente.

La ausencia de un compresor reduce el ruido y las vibraciones típicamente asociadas con electrodomésticos refrigerados.

# LIMPIEZA Y CUIDADO

## LIMPIEZA Y MANTENIMIENTO

**⚠️ ADVERTENCIA:** Desconecte su bodega para vinos antes de limpiarla para evitar descargas eléctricas. Ignorar esta advertencia puede resultar en lesiones o la muerte.

**⚠️ PRECAUCIÓN:** Antes de utilizar productos de limpieza, siempre lea y siga las instrucciones y advertencias del fabricante para evitar lesiones personales o daños al producto.

**General:** • Prepare una solución de limpieza de 3 o 4 cucharadas de bicarbonato de sodio en agua tibia. Utilice una esponja o paño suave, mojado con la solución de limpieza para limpiar su bodega para vinos.

- Enjuague con agua limpia y tibia y seque con un paño seco y suave.
- No use químicos fuertes, abrasivos, amoníaco, lejía, detergentes concentrados, solventes o esponjas de fibras metálicas. Algunos de estos químicos pueden disolver, dañar y/o decolorar su bodega para vinos.

### **Interrupciones de suministro eléctrico**

Ocasionalmente, puede haber interrupciones de suministro eléctrico debido a tormentas u otras causas. Desconecte el cable de alimentación de la toma de corriente alterna en caso de interrupción de suministro eléctrico. Una vez que el suministro eléctrico haya sido restablecido, reconecte el cable de alimentación a la toma de corriente.

### **Cuidados para vacaciones y mudanzas**

Para vacaciones o ausencias largas, desenchufe la unidad, vacíe los contenidos de la bodega para vinos y limpie el gabinete y los burletes de la puerta de acuerdo a la sección de "Limpieza general". Abra las puertas, para que el aire pueda circular. Cuando mueva la bodega para vinos, hágalo siempre de manera vertical. **No mueva ni guarde la unidad de lado.**

# SOLUCIÓN DE PROBLEMAS Y GARANTÍA

## ANTES DE LLAMAR AL SERVICIO TÉCNICO

SI LA UNIDAD FALLA AL OPERAR:

- A) Verifique para asegurarse que el electrodoméstico esté enchufado de forma segura. Si no lo está, retire el enchufe de la toma de corriente, espere 10 segundos y conéctelo nuevamente de forma segura.
- B) Compruebe si hay un fusible quemado o un disyuntor principal disparado. Si éstos parecen estar operando como es debido, pruebe la toma de corriente con otro aparato.

SI NINGUNO DE LOS PASOS ANTERIORES RESUELVE EL PROBLEMA, CONTACTE A UN TÉCNICO CALIFICADO. NO INTENTE AJUSTAR O REPARAR LA BODEGA PARA VINOS USTED MISMO

## IMPORTANTE

### NO DEVUELVA ESTE PRODUCTO A LA TIENDA

Si tiene problemas con este producto, por favor, contacte al Centro de Satisfacción del Cliente de BLACK+DECKER a través del al 844-299-0879 o a [service@equitybrands.com](mailto:service@equitybrands.com)

UN COMPROBANTE DE COMPRA CON FECHA, No. DE MODELO Y No. DE SERIE ES REQUERIDO PARA EL SERVICIO DE GARANTÍA

## RESOLUCIÓN DE PROBLEMAS

Solucione su problema utilizando el cuadro a continuación. Si la unidad aún no funciona correctamente, comuníquese con el centro de servicio al cliente o con el centro de servicio autorizado más cercano. El cliente nunca debe solucionar problemas de componentes internos.

SÍNTOMAS	CAUSA POSIBLE	SOLUCIONES
La bodega para vinos no funciona.	Hay una interrupción de suministro. Se ha disparado un disyuntor.	Asegúrese de que la bodega para vinos esté enchufada y que la toma de corriente esté activa. Reinicie el disyuntor.
La bodega para vinos no está alcanzando la temperatura deseada	La bodega para vinos está colocada demasiado cerca de una fuente de calor. No hay ventilación suficiente. La puerta se abre demasiado seguido o por demasiado tiempo.	Mantenga la bodega para vinos alejada de la luz del sol u otras fuentes de calor. Coloque la bodega para vinos en un lugar con buena ventilación y mantenga los ventiladores despejados. Cierre la puerta herméticamente y no abra la puerta con demasiada frecuencia o por demasiado tiempo.
Formación de escarcha en la bodega para vinos	Hay demasiada humedad. La temperatura ambiente es demasiado baja.	Desenchufe para descongelar, vuelva a enchufar luego de que la escarcha se derrita.

# SOLUCIÓN DE PROBLEMAS Y GARANTÍA

## GARANTÍA LIMITADA

Cualquier reparación, recambio, o servicio de garantía, y todas las preguntas sobre este producto deben ser dirigidas BLACK+DECKER al **844-299-0879** desde EE.UU. o Puerto Rico.

BLACK+DECKER garantiza al comprador original que el producto estará libre de defectos de materiales, partes y mano de obra por el período designado para este producto. La garantía comienza el día en que se compra el producto y cubre hasta un período de **1 año (12 meses) por mano de obra / 1 año (12 meses) por piezas (solo defectos de fabricación)**.

BLACK+DECKER acepta que, de acuerdo con su criterio, reemplazará el producto defectuoso por uno nuevo o uno remanufacturado equivalente a su compra original durante el período de garantía.

**Exclusiones:** Esta garantía no se aplica a lo siguiente:

1. Si la apariencia o el exterior de el producto ha sido dañado o cambiado, alterado o modificado en diseño o construcción.
2. Si el número de serie original del producto ha sido alterado o eliminado o no puede ser fácilmente determinado.
3. Si está dañado debido a una sobrecarga de la línea eléctrica, daño al cable de alimentación de CA por parte del usuario o conexión a una fuente de voltaje incorrecta.
4. Si el daño se debe a un mal uso general, accidentes o actos de Dios.
5. Si los intentos de reparación son realizados por agentes de servicio no autorizados, el uso de piezas que no sean piezas originales o piezas obtenidas de personas que no sean empresas de servicios autorizadas.
6. En unidades que han sido transferidas del propietario original.
7. En productos que han sido comprados como reacondicionados, como nuevos, de segunda mano, en términos de "tal como es" o "venta final".
8. A los productos utilizados en un entorno comercial o de alquiler.
9. A productos utilizados en condiciones distintas a las ordinarias de uso doméstico normal o usado de otra manera que no sea de acuerdo con las instrucciones provistas.
10. A los daños por las llamadas al servicio por instalaciones inadecuadas.
11. A costos de transporte y envío asociados con el reemplazo de la unidad.
12. A llamadas de servicio para instruirlo sobre cómo usar su producto.
13. Llamadas de servicio para reparar o reemplazar el fusible de la casa, reiniciar el disyuntor o corregir el cableado de la casa.

LA REPARACIÓN O EL REMPLAZO COMO SE ESTABLECE EN ESTA GARANTÍA SON LA SOLUCIÓN EXCLUSIVA DEL CLIENTE; BLACK+DECKER NO SERÁ RESPONSABLE POR NINGÚN DAÑO INCIDENTAL O EN CONSECUENCIA POR INCUMPLIMIENTO DE CUALQUIER GARANTÍA EXPRESA O IMPLÍCITA DE ESTE PRODUCTO, EXCEPTO EN LA MEDIDA EN QUE LO PROHIBA LA LEY APLICABLE. CUALQUIER GARANTÍA IMPLÍCITA DE COMERCIABILIDAD O IDONEIDAD PARA UN PROPÓSITO PARTICULAR SOBRE ESTE PRODUCTO TIENE UNA DURACIÓN LIMITADA A LA DURACIÓN DE ESTA GARANTÍA.

Algunos estados no permiten la exclusión o limitaciones de daños incidentales o consecuentes, o limitaciones en la duración de la garantía. En estos casos, las exclusiones o limitaciones anteriores pueden no aplicarse en su caso. Esta garantía le otorga derechos legales específicos, y también puede tener otros derechos que varían de estado a estado.

**Obtención de servicio:** Para obtener servicio, documentación del producto, suministros o accesorios, llame al **844-299-0879** para crear un ticket de cambio/reparación. Asegúrese de proporcionar la fecha de compra, el número de modelo y una breve descripción del problema. Nuestros representantes de servicio al cliente se comunicarán con usted o enviarán instrucciones detalladas de devolución.

BLACK+DECKER no garantiza que el aparato funcionará adecuadamente en todas las condiciones ambientales, y no otorga garantía alguna ni defensa, ya sea implícita o expresada, con respecto a la calidad, desempeño, comerciabilidad, o aptitud para un propósito particular más allá del propósito identificado en este manual de usuario. BLACK+DECKER ha realizado todos los esfuerzos para asegurarse de que este manual es preciso y renuncia a la responsabilidad sobre cualquier imprecisión u omisión que pueda haber ocurrido. La información en este manual de usuario está sujeta a cambiar sin aviso previo y no representa un compromiso por parte de BLACK+DECKER. BLACK+DECKER se reserva el derecho de hacer mejoras a este manual de usuario y/o al producto descrito en este manual de usuario en cualquier momento sin aviso previo. Si encuentra información en este manual que es incorrecta, engañosa o incompleta, comuníquese con nosotros al **844-299-0879**.

W Appliance Co.  
1356 Broadway  
New York, NY 10018



Este aparato está diseñado para la instalación independiente solamente.

- este aparato está destinado para ser utilizado en el hogar y similares Aplicaciones:
  - áreas de cocina del personal en tiendas, oficinas y otros lugares de trabajo Medio ambiente;
  - casas rurales y por clientes en hoteles, moteles y otros residenciales Tipos de ambientes;
  - alojamiento y desayuno;
  - restauración y otras aplicaciones similares no comerciales.



BLACK & DECKER, BLACK+DECKER, y los logos y nombres de productos de BLACK & DECKER y el esquema de color naranja y negro son marcas registradas de The Black & Decker Corporation, usados bajo licencia. Todos los derechos reservados.

El producto en esta caja puede diferir levemente de la imagen. No afecta su función. No todos los accesorios que se muestran en la fotografía están incluidos en este paquete.

Importado por W Appliance, Inc., 1356 Broadway, Nueva York, NY 10018