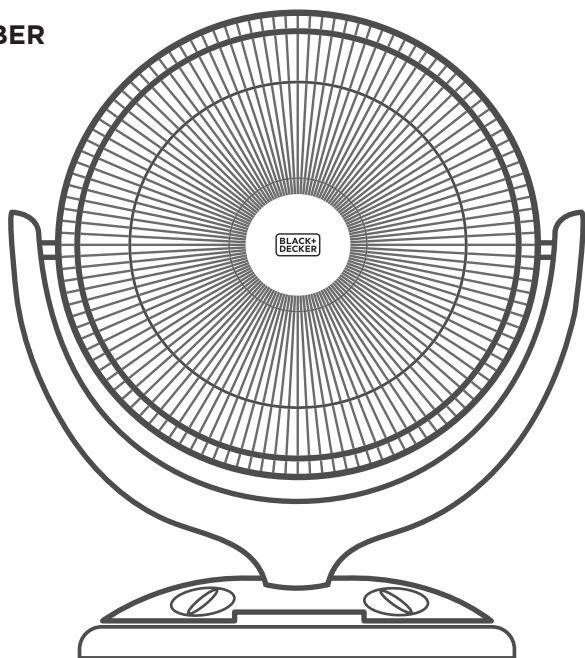


BLACK+[®] DECKER

RADIANT HEATER

INSTRUCTION MANUAL

CATALOG NUMBER
BHRO608



Thank you for choosing BLACK+DECKER!

PLEASE READ BEFORE RETURNING THIS PRODUCT FOR ANY REASON.

If you have a question or experience a problem with your BLACK+DECKER purchase, go to www.blackanddecker.com/instantanswers

If you can't find the answer or do not have access to the Internet, call 844-299-0879 from 10:30 a.m. to 6:30 p.m. EST Mon. - Fri. to speak with an agent. Please have the catalog number available when you call.

SAVE THIS MANUAL FOR FUTURE REFERENCE.

CONTENTS

SAFETY INFORMATION

Important Safety Instructions.....	3-6
Electrical Requirements.....	5

SET UP & USE

Parts & Features	7
Operating Instructions	8
Care & Cleaning.....	9

TROUBLESHOOTING & WARRANTY

Troubleshooting.....	10
Limited Warranty	11

SPECIFICATIONS

Voltage: 120V, 60Hz
Power Consumption: 1500W
Unit Size (WxDxH): 15.6" x 9.8" x 19.7"
Unit Weight: 4.18lbs

PRODUCT REGISTRATION

Thank you for purchasing our BLACK+DECKER product. This easy-to-use manual will guide you in getting the best use of your heater.

Remember to record the model and serial numbers. They are on a label on the rear.

Model number

Serial number

Date of purchase

Staple your receipt to your manual.
You will need it to obtain warranty service.

SAFETY INFORMATION

DANGER

DANGER - Immediate hazards which **WILL** result in severe personal injury or death

WARNING

WARNING - Hazards or unsafe practices which **COULD** result in severe personal injury or death

CAUTION

CAUTION - Hazards or unsafe practices which **COULD** result in minor personal injury

IMPORTANT SAFETY INSTRUCTIONS

WARNING

When using electrical appliances, basic safety precautions should be followed, including the following

When using electrical appliances, basic precautions should always be followed to reduce the risk of fire, electric shock, and injury to persons, including the following:

1. Read all instructions before using this heater.
2. This heater is hot when in use. To avoid burns, do not let bare skin touch hot surfaces. If provided, use handles when moving this heater. Keep combustible materials, such as furniture, pillows, bedding, papers, clothes, and curtains at least 3 feet (0.9m) from the front of the heater and keep them away from the sides and rear.
3. This appliance is not intended for use by persons (including children) with reduced physical sensory or mental capabilities or lack of experience & knowledge, unless they have been given supervision or instruction concerning use of the appliance by a person responsible for their safety.
4. Always unplug heater when not in use.
5. Do not operate any heater with a damaged cord or plug or after the heater malfunctions, has been dropped or damaged in any manner. Discard heater or return heater to authorized service facility for examination, electrical or mechanical adjustment, or repair.
6. Do not use outdoors.
7. This heater is not intended for use in bathrooms, laundry areas and similar indoor locations. Never locate heater where it may fall into bathtub or other water container.
8. Do not run cord under carpeting. Do not cover cord with throw rugs, runners, or similar coverings. Do not route cord under furniture or appliances. Arrange cord away from traffic area and where it will not be tripped over.
8. To disconnect heater, first turn controls to off, then remove plug from outlet.
10. Do not insert or allow foreign objects to enter any ventilation or exhaust opening as this may cause an electric shock or fire, or damage the heater.

SAFETY INFORMATION

11. To prevent a possible fire, do not block air intakes or exhaust in any manner. Do not use on soft surfaces, like a bed, where openings may become blocked.
12. A heater has hot and arcing or sparking parts inside. Do not use it in the areas where gasoline, paint, or flammable liquids are used or stored.
13. Use this heater only as described in this manual. Any other use not recommended by the manufacturer may cause fire, electric shock, or injury to persons.
14. Always plug heaters directly into a wall outlet/receptacle. Never use with an extension cord or relocatable power tap (outlet/power strip).
15. This heater draws 12.5 amps during operation. To prevent overloading a circuit, do not plug the heater into a circuit that already has other appliances working.
16. The output of this heater may vary and its temperature may become intense enough to burn exposed skin. Use of this heater is not recommended for persons with reduced sensitivity to heat or an inability to react to avoid burns.
17. Don't leave the heater on unattended.

SAVE THESE INSTRUCTIONS HOUSEHOLD USE ONLY

ELECTRICAL REQUIREMENTS

This appliance has a polarized plug (one blade is wider than the other). To reduce the risk of electric shock, this plug is intended to fit into a polarized outlet only one way. If the plug does not fit into the outlet, reverse the plug. If it still does not fit, contact a qualified electrician. Do not attempt to modify the plug in any way.

NOTE: Neither BLACK+DECKER nor the dealer can accept any liability for damage to the product or personal injury resulting from failure to observe the electrical connection procedures.



WARNING: To reduce the risk of electric shock, do not use with an extension cord.



WARNING - RISK OF FIRE

It is important the plug fits tightly into the wall outlet. If the plug does not fit securely and appears loose, it should not be used. Have a licensed electrician replace the receptacle.

SAFETY INFORMATION

DOUBLE INSULATION

Double insulated appliances are constructed throughout with two separate layers of electrical insulation or one single layer of reinforced insulation between the user and the appliance's electrical system. Products built with this insulation system are not intended to be grounded. As a result, this appliance is equipped with a two-prong plug which permits it to be used without concern for maintaining a ground connection.

NOTE: Double insulation does not take the place of normal safety precautions when operating this appliance. The secondary insulation system is for protection against injury resulting from a possible failure of the primary insulation within the product.



CAUTION: WHEN SERVICING USE ONLY IDENTICAL REPLACEMENT PARTS.

SAFETY INFORMATION

OVERHEAT SAFETY FEATURE

This heater is equipped with an overheat safety feature. When the heater's internal components reach a certain temperature that could cause overheating and possible fire, the heater will automatically shut off. If this should occur, please contact our Customer Satisfaction Center at 844-299-0879.

WARNING

It is normal for the power cord to feel warm to the touch; however, a loose fit between the outlet and the plug may cause overheating of the plug. If this occurs, try inserting the plug into a different outlet.

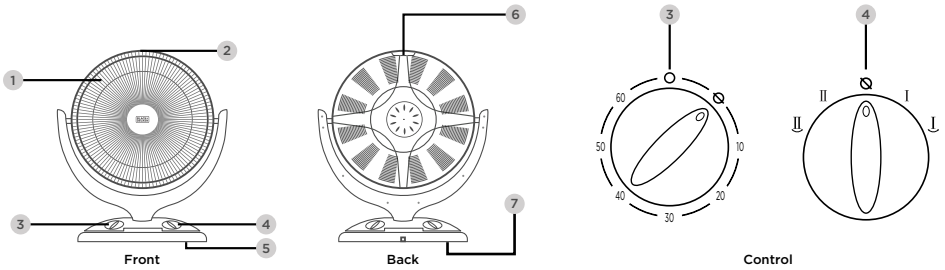
Contact a qualified electrician to inspect the original outlet for damage.

TIP-OVER SAFETY FEATURE

This heater is equipped with a tip-over safety feature. Once the heater is tipped over, an internal switch will automatically shut the heater off. Once the heater is restored to an upright position, the heater will reset. To continue operation, turn heater back on.

SET UP & USE

PARTS & FEATURES



1. Protective Grill
2. Reflection Hood
3. Timer Knob
4. Power Knob
5. Base
6. Carry Handle
7. Tip-over Safety Switch (on bottom)

Timer setting

Turn the timer knob to desired timer setting.

1. ○ indicates that power is on; the unit runs continuously.
2. ⊘ indicates power is off.
3. Timer settings can be set in 10-minute increments, up to 60 minutes. Once set, the heater will run until the timer runs out.

NOTE: Do not force knobs beyond their normal position.

SET UP & USE

OPERATING INSTRUCTIONS

Place the heater on a firm, level surface and plug the unit directly into a 120 V AC electrical outlet.

NOTE: Only operate heater in upright position.

1. Carefully remove the heater from its carton and bag.
2. Make sure the heater is located on a flat and stable surface prior to turning it on. Damage and automatic shut-off may occur if the heater is located on an incline.
3. Make sure all the control knobs are in the OFF position, then plug the heater in a functional polarized outlet. Make sure the plug is inserted fully in the outlet. Select the power setting as instructed below.
4. To turn the heater off, turn both the control knobs to the OFF position then unplug the heater from the outlet.

Power settings

Turn the power knob to the desired setting.

1. I is for low power (400 watts) without oscillation.
2. II is for high power (800 watts) without oscillation.
3. ↓ is for low power (400 watts) with oscillation.
4. ↓↓ is for high power (800 watts) with oscillation.
5. ⓪ To turn to heater off, turn both control knobs to the OFF position then unplug heater from outlet.

CARE & CLEANING

MAINTENANCE

 **WARNING:** Turn power off before cleaning.

1. Unplug the unit and let it cool completely.
2. To keep the heater clean, the outer shell may be cleaned with a soft, damp cloth.
DO NOT WET THE HEATING ELEMENT OR THE SWITCHES. After cleaning, dry the unit with a soft cloth.

 **CAUTION:** DO NOT let liquid enter the heater.

3. DO NOT use alcohol, gasoline, abrasive powders, furniture polish, or rough brushes to clean the heater. This may cause damage or deterioration to the surface of the heater.
4. DO NOT immerse the heater in water.
5. Wait until the unit is completely dry before use.

STORAGE

Store the heater in a cool, dry location when not in use. To prevent dust and dirt build-up, use the original packaging to repack the unit.

TROUBLESHOOTING & WARRANTY

BEFORE YOU CALL FOR SERVICE

IF THE HEATER/FAN FAILS TO OPERATE:

- A) Check to make sure that the heater/fan is plugged in securely. If it is not, remove the plug from the outlet, wait 10 seconds and plug it in again securely.
- B) Check for a blown circuit fuse or a tripped main circuit breaker. If these seem to be operating properly, test the outlet with another appliance.
- C) Check if electricity to the main power switch in the back of the unit appears to be working.
- D) Make sure the heater is in the upright position.

NOTE: For the heater to function properly, the desired temperature on the heater must be set a few degrees higher than the temperature in the room. If the unit seems to not be heating properly, increase the desired temperature on the heater to fully engage the heating elements.

IF NONE OF THE ABOVE SOLVES THE PROBLEM, CONTACT A QUALIFIED TECHNICIAN. DO NOT TRY TO ADJUST OR REPAIR THE HEATER/FAN YOURSELF.

CUSTOMER SERVICE

IMPORTANT

DO NOT RETURN THIS PRODUCT TO THE STORE

If you have a problem with this product, please contact the BLACK+DECKER Customer Satisfaction Center at 844-299-0879 or service@equitybrands.com

**DATED PROOF OF PURCHASE, MODEL # AND SERIAL #
REQUIRED FOR WARRANTY SERVICE**

TROUBLESHOOTING & WARRANTY

LIMITED WARRANTY

Any repair, replacement, or warranty service, and all questions about this product should be directed to W Appliance at **844-299-0879** from the USA or Puerto Rico.

W Appliance warrants to the original purchaser that the product will be free from defects in material, parts and workmanship for the period designated for this product. The warranty commences the day the product is purchased and covers up to a period of **1 year (12 months) for labor/1 year (12 months) for parts (manufacturing defects only)**.

W Appliance agrees that it will, at its option, replace the defective product with either a new or remanufactured unit equivalent to your original purchase during the warranty period.

Exclusions: This warranty does not apply if any of the following conditions exist:

1. The appearance or exterior of the product has been damaged or defaced, or altered or modified in either design or construction.
2. The product's original serial number has been altered or removed, or cannot be readily determined.
3. Damage is due to a power line surge, or connection to an improper voltage source.
4. Damage is due to general misuse, accidents, or acts of God.
5. Repair attempts were made by unauthorized service providers; parts other than genuine parts were used; or parts were obtained from unauthorized service companies.
6. The product was transferred from the original owner.
7. The product was purchased as refurbished, like new, or second-hand, or with "As-Is" or "Final Sale" terms.
8. The product was used in a commercial or rental setting.
9. The product was used in settings other than ordinary households, or used other than in accordance with the provided instructions.
10. Damage is due to improper installation.

The following costs are not covered under this warranty:

1. Transportation and shipping costs associated with the replacement of the unit.
2. Service calls to instruct you how to use your product.
3. Service calls to repair or replace the house fuse, reset a circuit breaker, or correct the wiring in the house.
4. Service calls required due to improper installation.

REPAIR OR REPLACEMENT AS PROVIDED UNDER THIS WARRANTY IS THE EXCLUSIVE REMEDY OF THE CUSTOMER; W Appliance SHALL NOT BE LIABLE FOR ANY INCIDENTAL OR CONSEQUENTIAL DAMAGES FOR BREACH OF ANY EXPRESS OR IMPLIED WARRANTY ON THIS PRODUCT, EXCEPT TO THE EXTENT PROHIBITED BY APPLICABLE LAW. ANY IMPLIED WARRANTY OF MERCHANTABILITY OF FITNESS FOR A PARTICULAR PURPOSE ON THIS PRODUCT IS LIMITED TO THE DURATION OF THE WARRANTY.

Some states do not allow the exclusion or limitations of incidental or consequential damages, or limitations on how long the warranty lasts. In these cases the above exclusions or limitations may not apply to you. This warranty gives you specific legal rights and you may also have other rights which vary from state to state.

Obtaining Service: To obtain service, product literature, supplies or accessories please call **844-299-0879** to create a ticket for exchange/repair. Please make sure to provide the date of purchase, model number and a brief description of the problem. Our customer service representative will contact you or send detailed return instructions.

W Appliance does not warrant that the appliance will work properly in all environmental conditions, and makes no warranty and representation, either implied or expressed, with respect to the quality, performance, merchantability, or fitness for a particular purpose other than the purpose identified within this user's manual. W Appliance has made every effort to ensure that this user's manual is accurate and disclaims liability for any inaccuracies or omissions that may have occurred. Information in this user's manual is subject to change without notice and does not represent a commitment on the part of W Appliance. W Appliance reserves the right to make improvements to this user's manual and/or to the products described in this user's manual at any time without notice. If you find information in this manual that is incorrect, misleading, or incomplete, please contact us at **844-299-0879**.

W Appliance Co.
1356 Broadway
New York, NY 10018

BLACK & DECKER, BLACK+DECKER, the BLACK & DECKER and BLACK+DECKER logos and product names and the orange and black color scheme are trademarks of The Black & Decker Corporation, used under license. All rights reserved.

Product in this box may differ slightly from that pictured. Does not affect function. Not all accessories shown in photography are included in this package.

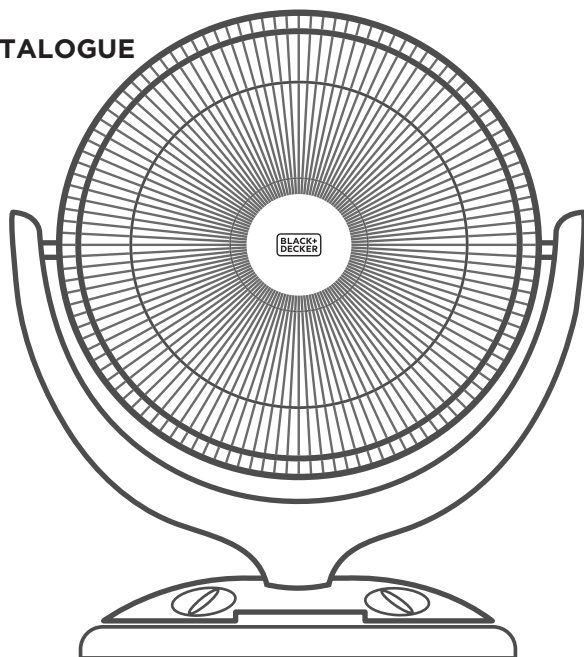
Imported by W Appliance, Inc., 1356 Broadway, New York, NY 10018

BLACK+[®] DECKER

CHAUFFAGE RADIANT

MANUEL D'INSTRUCTIONS

**NUMÉRO DE CATALOGUE
BHRO608**



Merci d'avoir choisi BLACK+DECKER!

**VEUILLEZ LIRE AVANT DE RETOURNER CE PRODUIT POUR
QUELQUE RAISON.**

Si vous avez une question ou rencontrez un problème avec votre achat

BLACK+DECKER, allez sur www.blackanddecker.com/instantanswers

Si vous ne trouvez pas la réponse ou n'avez pas accès à l'internet, appelez au
844-299-0879 de 10 h 30 à 18 h 30 HNE du lundi au vendredi pour parler
avec un agent. Veuillez avoir le numéro de catalogue disponible lorsque vous
appelez.

GARDEZ CE MANUEL POUR RÉFÉRENCE FUTURE.

TABLE DES MATIÈRES

INFORMATION SUR LA SÉCURITÉ

Consignes De Sécurité Importantes.....	18-19
Exigences Électriques.....	19-20

CONFIGURATION ET UTILISATION

Pièces Et Caractéristiques.....	21
Dmode d'Emploi.....	22
Entretien Et Nettoyage.....	23

DÉPANNAGE ET GARANTIE

Dépannage.....	24
Garantie Limitée.....	25

SPÉCIFICATIONS

Tension: 120V, 60Hz
Consommation d'Énergie: 1500W
Taille De l'Unité (LxPxH): 15.6" x 9.8" x 19.7"
Poids unitaire: 4.18lbs

ENREGISTREMENT DU PRODUIT

Merci d'avoir acheté notre produit BLACK+DECKER. Ce manuel facile à utiliser vous guidera pour tirer le meilleur parti de votre appareil de chauffage.

N'oubliez pas d'enregistrer les numéros de modèle et de série. Ils sont sur une étiquette à l'arrière.

Numéro de modèle

Numéro de série

Date d'achat

Agrafez votre reçu dans votre manuel. Vous en aurez besoin pour obtenir du service de garantie.

INFORMATION SUR LA SÉCURITÉ

DANGER

DANGER - Dangers immédiats qui **VONT** entraîner des blessures graves ou la mort

AVERTISSEMENT

AVERTISSEMENT - Dangers ou pratiques dangereuses qui **POURRAIENT** entraîner des blessures graves ou la mort

ATTENTION

ATTENTION - Dangers ou pratiques dangereuses qui **POURRAIENT** entraîner des blessures corporelles mineures

CONSIGNES DE SÉCURITÉ IMPORTANTES

AVERTISSEMENT

Lors de l'utilisation d'appareils électriques, les mesures de sécurité de base doivent être suivies, y compris ce qui suit

Lors de l'utilisation d'appareils électriques, des précautions de base doivent toujours être suivies pour réduire le risque d'incendie, choc électrique et blessures aux personnes, y compris ce qui suit:

1. Lisez toutes les instructions avant d'utiliser ce chauffage.
2. Ce chauffage est chaud lorsqu'il est utilisé. Pour éviter les brûlures, ne laissez pas la peau nue toucher les surfaces chaudes. Si fourni, utilisez les poignées pour déplacer ce chauffage. Gardez les matériaux combustibles, tels que les meubles, les oreillers, la literie, les papiers, les vêtements et les rideaux à au moins 3 pieds (0.9 m) de l'avant de l'appareil de chauffage et éloignez-les des côtés et de l'arrière.
3. Cet appareil n'est pas destiné à être utilisé par des personnes (y compris des enfants) ayant des capacités sensorielles ou mentales réduites ou un manque d'expérience et de connaissances, à moins qu'elles n'aient reçu une supervision ou des instructions concernant l'utilisation de l'appareil par une personne responsable de leur sécurité.
4. Débranchez toujours le chauffage lorsqu'il n'est pas utilisé.
5. Ne pas faire fonctionner un appareil de chauffage avec un cordon ou une fiche endommagés ou après un mauvais fonctionnement du chauffage, une chute ou un dommage de quelque façon. Jeter le réchauffeur ou renvoyer le réchauffeur à un centre de service autorisé pour examen, réglage électrique ou mécanique ou réparation.
6. Ne l'utilisez pas à l'extérieur.
7. Ce chauffage n'est pas destiné à être utilisé dans les salles de bains, buanderies et endroits intérieurs similaires. Ne placez jamais le chauffage à un endroit où il pourrait tomber dans une baignoire ou un autre réservoir d'eau.
8. Ne faites pas passer le cordon sous la moquette. Ne couvrez pas le cordon avec des tapis, des carpettes ou des revêtements similaires. Ne faites pas passer le cordon sous des meubles ou des appareils. Éloignez le cordon de la zone de circulation et où il ne sera pas trébuché.
9. Pour déconnecter le chauffage, tournez d'abord les commandes sur ARRÊT, puis retirez la fiche de la prise.
10. Ne pas insérer ou permettre à des objets étrangers de pénétrer dans une ouverture de ventilation ou d'évacuation car cela pourrait provoquer un choc électrique ou incendie, ou endommager le chauffage.

INFORMATION SUR LA SÉCURITÉ

11. Pour éviter un éventuel incendie ne bloquez en aucune manière les entrées ou les sorties d'air. Ne pas utiliser sur des surfaces molles, comme un lit, où les ouvertures peuvent se bloquer.
12. Un appareil de chauffage contient des pièces chaudes et produisant des arcs ou des étincelles à l'intérieur. Ne l'utilisez pas dans les endroits où l'essence, la peinture ou des liquides inflammables sont utilisés ou entreposés.
13. Utilisez cet appareil de chauffage uniquement comme décrit dans ce manuel. Toute autre utilisation non recommandée par le fabricant peut provoquer un incendie, un choc électrique ou des blessures aux personnes.
14. Branchez toujours les appareils de chauffage directement dans une prise murale / un réceptacle. Ne l'utilisez jamais avec une rallonge ou une prise d'alimentation amovible (prise / multiprise).
15. Ce chauffage consomme 12,5 ampères pendant son fonctionnement. Pour éviter de surcharger un circuit, ne branchez pas le chauffage dans un circuit où d'autres appareils fonctionnent déjà.
16. La puissance de ce chauffage peut varier et sa température peut devenir suffisamment intense pour brûler la peau exposée. L'utilisation de cet appareil de chauffage n'est pas recommandée aux personnes ayant une sensibilité réduite à la chaleur ou une incapacité à réagir pour éviter les brûlures.
17. Ne laissez pas le chauffage allumé sans surveillance.

GARDEZ CES INSTRUCTIONS UTILISATION DOMESTIQUE UNIQUEMENT

EXIGENCES ÉLECTRIQUES

Cet appareil est équipé d'une fiche polarisée (une lame est plus large que l'autre). Pour réduire le risque de choc électrique, cette fiche est conçue pour s'insérer dans une prise polarisée dans un seul sens. Si la fiche ne s'insère pas dans la prise, inversez la fiche. Si cela ne fonctionne toujours pas, contactez un électricien qualifié. Ne modifiez pas la fiche de quelque manière que ce soit.

REMARQUE: Ni BLACK+DECKER ni le marchand ne peuvent être tenus pour responsables des dommages au produit ou des blessures corporelles résultant du non-respect des procédures de connexion électrique.



AVERTISSEMENT: pour réduire le risque de choc électrique, ne l'utilisez pas avec une rallonge.



AVERTISSEMENT - RISQUE D'INCENDIE

Il est important que la fiche soit insérée fermement dans la prise murale. Si la fiche ne s'insère pas correctement et semble desserrée, elle ne doit pas être utilisée.

Faites remplacer la prise par un électricien agréé.

INFORMATION SUR LA SÉCURITÉ

DOUBLE ISOLATION

Les appareils à double isolation sont construits avec deux couches séparées d'isolation électrique ou une seule couche d'isolation renforcée entre l'utilisateur et le système électrique de l'appareil. Les produits construits avec ce système d'isolation ne sont pas destinés à être mis à la terre. De ce fait, cet appareil est équipé d'une fiche à deux broches qui permet de l'utiliser sans se soucier du maintien d'une mise à la terre.

REMARQUE: La double isolation ne remplace pas les précautions de sécurité normales lors de l'utilisation de cet appareil. Le système d'isolation secondaire est destiné à la protection contre les blessures résultant d'une éventuelle défaillance de l'isolation primaire à l'intérieur du produit.

▲ MISE EN GARDE: LORS DE L'ENTRETIEN, UTILISEZ UNIQUEMENT DES PIÈCES DE RECHANGE IDENTIQUES.

FONCTION DE SÉCURITÉ CONTRE LA SURCHAUFFE

Cet appareil de chauffage est équipé d'un dispositif de sécurité contre la surchauffe. Lorsque les composants internes de l'appareil de chauffage atteignent une certaine température qui pourrait provoquer une surchauffe et un incendie possible, le chauffage s'éteindra automatiquement. Dans ce cas, veuillez contacter notre Centre De Satisfaction Client au 844-299-0879.

▲ AVERTISSEMENT

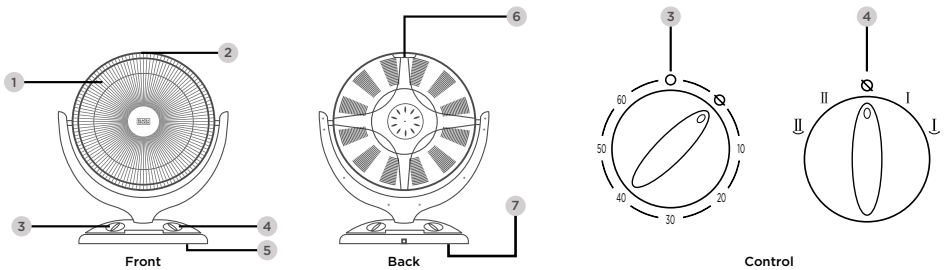
Il est normal que le cordon d'alimentation soit chaud au toucher; cependant, une connexion lâche entre la prise et la fiche peut provoquer une surchauffe de la fiche. Si cela se produit, essayez d'insérer la fiche dans une autre prise. Contactez un électricien qualifié pour inspecter la prise d'origine pour tout dommage.

FONCTION DE SÉCURITÉ ANTI-BASCULEMENT

Ce chauffage est équipé d'un dispositif de sécurité anti-basculement. Une fois le chauffage basculé, un interrupteur interne arrêtera automatiquement le chauffage. Une fois que le chauffage est remis en position verticale, le chauffage se réinitialisera. Pour continuer le fonctionnement, rallumez le chauffage.

CONFIGURATION ET UTILISATION

PIÈCES ET CARACTÉRISTIQUES



1. Grille de protection
2. Capot de réflexion
3. Bouton de minuterie
4. Bouton d'alimentation
5. Base
6. Poignée de transport
7. Interrupteur de sécurité de basculement (en bas)

Paramètres de la minuterie

Tournez le bouton de la minuterie sur le réglage de minuterie souhaité.

1. **○** indique que l'appareil est sous tension; l'unité fonctionne en continu.
2. **⊗** indique que l'alimentation est coupée.
3. Les réglages de la minuterie peuvent être définis par incréments de 10 minutes, jusqu'à 60 minutes. Une fois réglé, le radiateur fonctionnera jusqu'à ce que la minuterie se termine.

REMARQUE: ne forcez pas les boutons au-delà de leur position normale.

CONFIGURATION ET UTILISATION

MODE D'EMPLOI

Placez le chauffage sur une surface plane et de niveau, et branchez l'appareil directement sur une prise électrique de 120 V CA.

REMARQUE: Ne faites fonctionner le chauffage qu'en position verticale.

1. Retirez soigneusement le radiateur de son carton et de son sac.
2. Assurez-vous que le radiateur est situé sur une surface plane et stable avant de l'allumer. Des dommages et un arrêt automatique peuvent survenir si le radiateur est situé sur une pente.
3. Assurez-vous que tous les boutons de commande sont en position OFF, puis branchez le radiateur dans une prise polarisée fonctionnelle. Assurez-vous que la fiche est complètement insérée dans la prise. Sélectionnez le réglage de puissance comme indiqué ci-dessous.
4. Pour éteindre le radiateur, tournez les deux boutons de commande sur la position OFF, puis débranchez le radiateur de la prise.

Paramètres de puissance

Tournez le bouton de faible puissance sur le réglage souhaité.


1. I est pour une faible puissance (400 watts) sans oscillation.
2. II est pour une puissance élevée (800 watts) sans oscillation.
3. \downarrow correspond à une faible puissance (400 watts) avec oscillation.
4. \updownarrow correspond à une puissance élevée (800 watts) avec oscillation.
5. OFF Pour éteindre le radiateur, tournez les deux boutons de commande sur la position OFF, puis débranchez le radiateur de la prise.

ENTRETIEN ET NETTOYAGE

ENTRETIEN

 **ATTENTION:** Mettez hors tension avant le nettoyage.

1. Débranchez l'unité et laissez-le refroidir complètement.
2. Pour garder le chauffage propre, la coque extérieure peut être nettoyée avec un chiffon doux et humide. NE PAS MOUILLER L'ÉLÉMENT CHAUFFANT OU LES INTERRUPTEURS. Après le nettoyage, séchez l'appareil avec un chiffon doux.

 **AVERTISSEMENT:** NE PAS laisser de liquide entrer dans le chauffage.

3. NE PAS utiliser d'alcool, d'essence, de poudres abrasives, de vernis à meubles ou de brosses rugueuses pour nettoyer le chauffage. Ceci peut endommager ou détériorer la surface du chauffage.
4. NE PAS immerger le chauffage dans l'eau.
5. Attendez que l'appareil soit complètement sec avant de l'utiliser.

ENTREPOSAGE

Entreposez le chauffage dans un endroit frais et sec lorsqu'il n'est pas utilisé. Pour éviter l'accumulation de poussière et de saleté, utilisez l'emballage d'origine pour remballer l'unité.

DÉPANNAGE ET GARANTIE

AVANT D'APPELER LE SERVICE

SI LE CHAUFFAGE / VENTILATEUR NE FONCTIONNE PAS:

- A) Assurez-vous que le chauffage / ventilateur est bien branché. Si ce n'est pas le cas, retirez la fiche de la prise, attendez 10 secondes et rebranchez-le correctement.
- B) Recherchez un fusible de circuit grillé ou un disjoncteur principal déclenché. Si ceux-ci semblent fonctionner correctement, testez la prise avec un autre appareil.
- C) Vérifiez si l'électricité de l'interrupteur d'alimentation principal à l'arrière de l'appareil semble fonctionner.
- D) Assurez-vous que le chauffage est en position verticale.

REMARQUE: Pour que le chauffage fonctionne correctement, la température désirée sur le chauffage doit être réglée de quelques degrés au-dessus de la température de la pièce. Si l'appareil semble ne pas chauffer correctement, augmentez la température désirée sur le chauffage pour engager complètement les éléments chauffants.

SI AUCUN DES CHOIX CI-DESSUS NE RÉSOUD LE PROBLÈME, CONTACTEZ UN TECHNICIEN QUALIFIÉ. N'ESSAYEZ PAS DE RÉGLER OU DE RÉPARER LE CHAUFFAGE / VENTILATEUR VOUS-MÊME.

SERVICE CLIENT

IMPORTANT

NE RETOURNEZ PAS CE PRODUIT AU MAGASIN

Si vous avez un problème avec ce produit, veuillez contacter le Centre De Satisfaction Client BLACK+DECKER à 844-299-0879 ou service@equitybrands.com

PREUVE D'ACHAT DATÉE, NUMÉRO DE MODÈLE ET NUMÉRO DE SÉRIE REQUIS POUR LE SERVICE DE GARANTIE

SOLUCIÓN DE PROBLEMAS Y GARANTÍA

GARANTÍA LIMITADA

Cualquier reparación, recambio, o servicio de garantía, y todas las preguntas sobre este producto deben ser dirigidas BLACK+DECKER al **844-299-0879** desde EE.UU. o Puerto Rico.

BLACK+DECKER garantiza al comprador original que el producto estará libre de defectos de materiales, partes y mano de obra por el período designado para este producto. La garantía comienza el día en que se compra el producto y cubre hasta un período de **1 año (12 meses) por mano de obra / 1 año (12 meses) por piezas (solo defectos de fabricación)**.

BLACK+DECKER acepta que, de acuerdo con su criterio, reemplazará el producto defectuoso por uno nuevo o uno remanufacturado equivalente a su compra original durante el período de garantía.

Exclusiones: Esta garantía no se aplica a lo siguiente:

1. Si la apariencia o el exterior de el producto ha sido dañado o cambiado, alterado o modificado en diseño o construcción.
2. Si el número de serie original del producto ha sido alterado o eliminado o no puede ser fácilmente determinado.
3. Si está dañado debido a una sobrecarga de la línea eléctrica, daño al cable de alimentación de CA por parte del usuario o conexión a una fuente de voltaje incorrecta.
4. Si el daño se debe a un mal uso general, accidentes o actos de Dios.
5. Si los intentos de reparación son realizados por agentes de servicio no autorizados, el uso de piezas que no sean piezas originales o piezas obtenidas de personas que no sean empresas de servicios autorizadas.
6. En unidades que han sido transferidas del propietario original.
7. En productos que han sido comprados como reacondicionados, como nuevos, de segunda mano, en términos de "tal como es" o "venta final".
8. A los productos utilizados en un entorno comercial o de alquiler.
9. A productos utilizados en condiciones distintas a las ordinarias de uso doméstico normal o usado de otra manera que no sea de acuerdo con las instrucciones provistas.
10. A los daños por las llamadas al servicio por instalaciones inadecuadas.
11. A costos de transporte y envío asociados con el reemplazo de la unidad.
12. A llamadas de servicio para instruirlo sobre cómo usar su producto.
13. Llamadas de servicio para reparar o reemplazar el fusible de la casa, reiniciar el disyuntor o corregir el cableado de la casa.

LA REPARACIÓN O EL REMPLAZO COMO SE ESTABLECE EN ESTA GARANTÍA SON LA SOLUCIÓN EXCLUSIVA DEL CLIENTE; BLACK+DECKER NO SERÁ RESPONSABLE POR NINGÚN DAÑO INCIDENTAL O EN CONSECUENCIA POR INCUMPLIMIENTO DE CUALQUIER GARANTÍA EXPRESA O IMPLÍCITA DE ESTE PRODUCTO, EXCEPTO EN LA MEDIDA EN QUE LO PROHIBA LA LEY APLICABLE. CUALQUIER GARANTÍA IMPLÍCITA DE COMERCIABILIDAD O IDONEIDAD PARA UN PROPÓSITO PARTICULAR SOBRE ESTE PRODUCTO TIENE UNA DURACIÓN LIMITADA A LA DURACIÓN DE ESTA GARANTÍA.

Algunos estados no permiten la exclusión o limitaciones de daños incidentales o consecuentes, o limitaciones en la duración de la garantía. En estos casos, las exclusiones o limitaciones anteriores pueden no aplicarse en su caso. Esta garantía le otorga derechos legales específicos, y también puede tener otros derechos que varían de estado a estado.

Obtención de servicio: Para obtener servicio, documentación del producto, suministros o accesorios, llame al **844-299-0879** para crear un ticket de cambio/reparación. Asegúrese de proporcionar la fecha de compra, el número de modelo y una breve descripción del problema. Nuestros representantes de servicio al cliente se comunicarán con usted o enviarán instrucciones detalladas de devolución.

BLACK+DECKER no garantiza que el aparato funcionará adecuadamente en todas las condiciones ambientales, y no otorga garantía alguna ni defensa, ya sea implícita o expresada, con respecto a la calidad, desempeño, comerciabilidad, o aptitud para un propósito particular más allá del propósito identificado en este manual de usuario. BLACK+DECKER ha realizado todos los esfuerzos para asegurarse de que este manual es preciso y renuncia a la responsabilidad sobre cualquier imprecisión u omisión que pueda haber ocurrido. La información en este manual de usuario está sujeta a cambiar sin aviso previo y no representa un compromiso por parte de BLACK+DECKER. BLACK+DECKER se reserva el derecho de hacer mejoras a este manual de usuario y/o al producto descrito en este manual de usuario en cualquier momento sin aviso previo. Si encuentra información en este manual que es incorrecta, engañosa o incompleta, comuníquese con nosotros al **844-299-0879**.

W Appliance Co.
1356 Broadway
New York, NY 10018

BLACK & DECKER, BLACK+DECKER, les logos et noms de produits BLACK & DECKER et BLACK+DECKER et le schéma de couleur orange et noire sont des marques déposées de The Black & Decker Corporation, utilisées sous licence. Tous droits réservés.

Le produit dans cette boîte peut différer légèrement de celui illustré. N'affecte pas la fonction. Tous les accessoires illustrés sur la photographie ne sont pas inclus dans cet emballage.

Importé par W Appliance, Inc., 1356 Broadway, New York, NY 10018

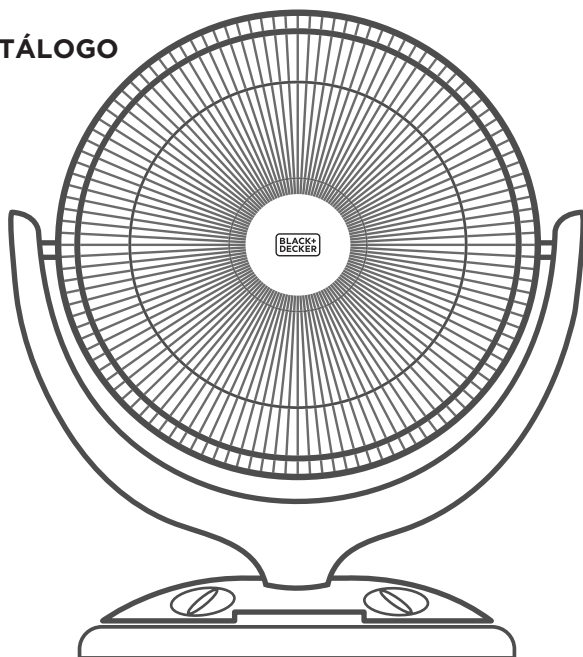
Imprimé en Chine

BLACK+[®] DECKER

CALENTADOR RADIANTE

MANUAL DE INSTRUCCIONES

NÚMERO DE CATÁLOGO
BHRO608



¡Gracias por elegir BLACK+DECKER!

POR FAVOR, LEA ESTE MANUAL ANTES DE DEVOLVER ESTE PRODUCTO POR CUALQUIER MOTIVO.

Si tiene alguna pregunta o tiene algún problema con su producto de

BLACK+DECKER vaya a www.blackanddecker.com/instantanswers

Si no puede encontrar la respuesta a su pregunta o no tiene acceso a Internet, llame al 844-299-0879 de 10:30 a 18:30 EST de lunes a viernes para hablar con un agente. Por favor, tenga el número de catálogo a mano cuando llame.

GUARDE ESTE MANUAL PARA SU REFERENCIA EN EL FUTURO.

CONTENIDO

INFORMACIÓN DE SEGURIDAD

Instrucciones importantes de seguridad	32-33
Requisitos eléctricos	33-34

CONFIGURACIÓN Y USO

Piezas y características	35
Instrucciones de uso.....	36
Limpieza y mantenimiento.....	37

SOLUCIÓN DE PROBLEMAS Y GARANTÍA

Solución de problemas	38
Garantía limitada	39

ESPECIFICACIONES

Voltaje: 120V, 60Hz

Consumo de energía: 1500W

Tamaño de la unidad (An x Prof x Al): 15.6" x 9.8" x 19.7"

Peso de la unidad: 4.18 libras

REGISTRO DEL PRODUCTO

Gracias por comprar nuestro producto BLACK + DECKER. Este manual fácil de usar le guiará para darle el mejor uso a su calentador.

Recuerde anotar los números de modelo y de serie. Están en una etiqueta en la parte trasera.

Nº de modelo

Nº de serie

Fecha de compra

Grape o adjunte su recibo a su manual. Lo necesitará para acceder el servicio de garantía.

INFORMACIÓN DE SEGURIDAD

PELIGRO

PELIGRO - Amenazas inmediatas que resultarán en lesiones personales graves o la muerte

ADVERTENCIA

ADVERTENCIA - Peligros o prácticas inseguras que pueden resultar en lesiones personales graves o la muerte

PRECAUCIÓN

PRECAUCIÓN - Peligros o prácticas inseguras que PODRÍAN resultar en lesiones personales menores

INSTRUCCIONES IMPORTANTES DE SEGURIDAD

ADVERTENCIA

cuando utilice electrodomésticos, debe seguir algunas medidas básicas de seguridad, incluidas las siguientes

Cuando se utilizan aparatos eléctricos, siempre se deben seguir ciertas precauciones básicas para reducir el riesgo de incendio, descargas eléctricas y lesiones personales, entre las que se encuentran las siguientes:

1. Lea todas las instrucciones antes de utilizar este calentador.
2. Este calentador se calienta cuando está en uso. Para evitar quemaduras, no toque las superficies calientes con la piel al descubierto. Si el calentador incluye asas, úselas para moverlo. Mantenga los materiales combustibles, como muebles, almohadas, ropa de cama, papeles, ropa y cortinas al menos a 0,9 m (3 pies) del frente del calentador y manténgalos alejados de los lados y la parte trasera.
3. Este aparato no está destinado a ser utilizado por personas (incluidos los niños) con capacidades físicas sensoriales o mentales reducidas o con falta de experiencia y conocimientos, a menos que hayan recibido supervisión o instrucciones sobre el uso del aparato por parte de una persona responsable de su seguridad.
4. Desconecte siempre el calentador cuando no esté en uso.
5. NO opere este ni ningún calentador que tenga un cable dañado, después de haber presentado una falla en su funcionamiento ni después de que se haya caído o dañado de alguna manera. Deseche el calentador o llévelo a un servicio técnico autorizado para su revisión, ajuste eléctrico o mecánico o reparación.
6. No utilice el calentador en exteriores.
7. Este calentador no fue diseñado para su uso en baños, áreas de lavandería y recintos cerrados similares. Nunca ubique el calentador donde pueda caer en una bañera o cualquier otro recipiente con agua.
8. No pase el cable eléctrico por debajo de una alfombra. No cubra el cable eléctrico con alfombras, tapetes o cubiertas similares. No coloque el cable eléctrico debajo de muebles o electrodomésticos. Organice el cable lejos de áreas de tránsito y donde no se pueda tropezar con él.
9. Para desconectar el calentador, apague los controles y retire el enchufe de la toma de corriente.
10. No inserte objetos extraños ni permita que estos entren en las aberturas de ventila, provocar incendio, descarga eléctrica o daños al calentador.

INFORMACIÓN DE SEGURIDAD

11. Para evitar un posible incendio, no bloquee las entradas o salidas de aire de ninguna manera. No lo use sobre superficies blandas, como una cama, donde las aberturas puedan bloquearse.
12. Un calentador tiene piezas calientes, que forman un arco eléctrico o que producen chispas en su interior. No lo utilice en áreas donde se use o almacene gasolina, pintura o líquidos inflamables.
13. Utilice el calentador sólo como se describe en este manual. Cualquier otro uso no recomendado por el fabricante puede provocar un incendio, una descarga eléctrica o lesiones personales.
14. Siempre conecte el calentador a una toma de corriente de pared. Nunca use un cable de extensión o una regleta (alargue, zapatilla eléctrica).
15. Este calentador consume 12,5 amperios durante su funcionamiento. Para evitar sobrecargar el circuito eléctrico, no conecte el calentador a un circuito que ya tenga otros aparatos en funcionamiento.
16. La salida de calor de este calentador puede variar y su temperatura puede ser lo suficientemente intensa como para quemar la piel expuesta. No se recomienda el uso de este calentador por personas con sensibilidad reducida al calor o incapacidad de reaccionar para evitar quemaduras.
17. No deje el calentador sin vigilancia.

CONSERVE ESTAS INSTRUCCIONES SOLO PARA USO DOMÉSTICO

REQUISITOS ELÉCTRICOS

Este aparato cuenta con un enchufe polarizado (una clavija es más ancha que la otra). Para evitar cualquier riesgo de descarga eléctrica, este enchufe encaja de forma polarizada en un solo sentido. Si no puede introducir el enchufe, invíértalo. Si aún así no encaja, comuníquese con un electricista calificado. No intente modificar el enchufe en ningún caso.

NOTA: Ni BLACK + DECKER ni el distribuidor pueden aceptar ninguna responsabilidad por daños al producto o lesiones personales que resulten del incumplimiento de los procedimientos de conexión eléctrica.



ADVERTENCIA: Para reducir el riesgo de descarga eléctrica, no use un cable de extensión o alargue.



ADVERTENCIA - RIESGO DE INCENDIO

Es importante que el enchufe se ajuste firmemente a la toma de corriente. Si el enchufe no se ajusta de manera segura y parece estar flojo, no debe usarse.

Haga que un electricista con licencia reemplace el receptáculo.

INFORMACIÓN DE SEGURIDAD

AISLAMIENTO DOBLE

Aislamiento doble

Los electrodomésticos con doble aislamiento están contruidos en su totalidad con dos capas separadas de aislamiento eléctrico o una sola capa de aislamiento reforzado entre el usuario y el sistema eléctrico del electrodoméstico. Los productos fabricados con este sistema de aislamiento no están destinados a conectarse a tierra. Como resultado, este aparato está equipado con un enchufe de dos clavijas que permite su uso sin preocuparse por mantener una conexión a tierra.

NOTA: El aislamiento doble no reemplaza las precauciones de seguridad normales al operar este aparato. El sistema de aislamiento secundario es para protección contra lesiones resultantes de una posible falla del aislamiento primario dentro del producto.

 **PRECAUCIÓN:** AL REALIZAR EL SERVICIO, UTILICE SÓLO PIEZAS DE REPUESTO IDENTICAS.

DISPOSITIVO DE SEGURIDAD CONTRA SOBRECALENTAMIENTO

Este calentador está equipado con una función de seguridad de sobrecalentamiento. Cuando los componentes internos del calentador alcanzan una cierta temperatura que podría causar un sobrecalentamiento o un incendio, la estufa se apagará automáticamente. Si esto ocurriera, comuníquese con nuestro centro de satisfacción del cliente al 844-299-0879.



ADVERTENCIA

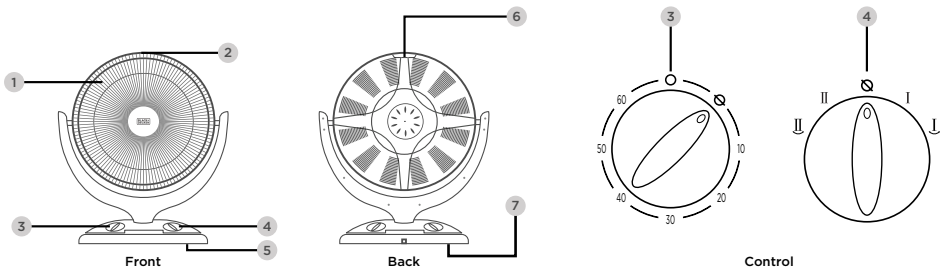
Es normal que el cable de alimentación se sienta tibio; sin embargo, si el enchufe no está conectado firmemente en la toma de corriente, es posible que se produzca un sobrecalentamiento del enchufe. Si esto ocurre conecte el enchufe a otra toma de corriente. Contacte con un electricista calificado para inspeccionar la toma de corriente original y evaluar si hay daño.

DISPOSITIVO DE SEGURIDAD CONTRA VOLCADO

Este calentador está equipado con un dispositivo de seguridad contra volcado. Si el calentador se vuelca, un interruptor interno lo apagará automáticamente. Una vez que el calentador regrese a la posición vertical, este se reiniciará. Para continuar la operación, encienda el calentador nuevamente.

CONFIGURACIÓN Y USO

PIEZAS Y CARACTERÍSTICAS



1. Rejilla protectora
2. Capucha de reflexión
3. Botón del temporizador
4. Botón de encendido
5. Base
6. Asa de transporte
7. Interruptor de seguridad basculante (parte inferior)

Configuración del temporizador

Gire la perilla del temporizador al ajuste de temporizador deseado.

1. indica que el dispositivo está encendido; la unidad funciona continuamente.
2. indica que la energía está apagada.
3. La configuración del temporizador se puede establecer en incrementos de 10 minutos, hasta 60 minutos. Una vez configurado, el calentador funcionará hasta que termine el temporizador.

NOTA: No fuerce las perillas más allá de su posición normal.

CONFIGURACIÓN Y USO

INSTRUCCIONES DE USO

Ubique el calentador sobre una superficie firme y nivelada y conéctelo directamente a una toma de corriente de 120 V.

NOTA: Opere el calentador solamente en posición vertical.

1. Retire con cuidado el calentador de su caja y bolsa.
2. Asegúrese de que el calentador esté ubicado sobre una superficie plana y estable antes de encenderlo. Pueden ocurrir daños y el apagado automático si el calentador está ubicado en una pendiente.
3. Asegúrese de que todas las perillas de control estén en la posición APAGADO, luego enchufe el calentador en un tomacorriente polarizado funcional. Asegúrese de que el enchufe esté completamente insertado en el tomacorriente. Seleccione la configuración de energía como se indica a continuación.
4. Para apagar el calentador, gire ambas perillas de control a la posición de APAGADO y luego desenchufe el calentador del tomacorriente.

Parámetros de potencia

Gire la perilla de baja potencia al ajuste deseado.


1. I es para baja potencia (400 vatios) sin oscilación.
2. II es para alta potencia (800 vatios) sin oscilación.
3. \downarrow corresponde a baja potencia (400 vatios) con oscilación.
4. \uparrow corresponde a alta potencia (800 vatios) con oscilación.
5. O Para apagar el calentador, gire ambas perillas de control a la posición de APAGADO, luego desenchufe el calentador del tomacorriente.

CUIDADO Y LIMPIEZA

MANTENIMIENTO

 **ADVERTENCIA:** Apague el calentador antes de limpiarlo.

1. Desenchufe la unidad y deje que se enfríe por completo.
2. Para mantener limpio el calentador, puede limpiar la carcasa exterior con un paño suave y húmedo. **NO HUMEDE EL ELEMENTO CALEFACTOR NI LOS INTERRUPTORES.** Después de la limpieza, seque la unidad con un paño suave.

 **PRECAUCIÓN:** NO permita que entre líquido al calentador.

3. **NO** use alcohol, gasolina, polvos abrasivos, cera para muebles o cepillos ásperos para limpiar el radiador. Esto podría causar daños o deterioro a la superficie del calentador.
4. **NO** sumerja el calentador en agua.
5. Espere hasta que el aparato esté completamente seco antes de usarlo.

ALMACENAMIENTO

Guarde el calentador en un lugar fresco y seco cuando no esté en uso. Para evitar la acumulación de polvo y suciedad, use el embalaje original para volver a empaquetar la unidad.

SOLUCIÓN DE PROBLEMAS Y GARANTÍA

ANTES DE LLAMAR AL SERVICIO TÉCNICO

SI SU CALENTADOR NO FUNCIONA:

- A) Verifique para asegurarse de que el electrodoméstico esté enchufado de forma segura. Si no lo está, retire el enchufe de la toma de corriente, espere 10 segundos y vuelva a conectarlo firmemente.
- B) Compruebe si hay un fusible quemado o un disyuntor principal disparado. Si éstos funcionan correctamente, pruebe el enchufe con otro electrodoméstico.
- C) Compruebe si llega electricidad al interruptor de alimentación principal en la parte posterior de la unidad.
- D) Asegúrese de que el calentador esté en posición vertical.

NOTA: para que el calentador funcione correctamente, la temperatura deseada debe establecerse a una temperatura más alta que la temperatura en la habitación. Si la unidad parece no calentarse correctamente, aumente la temperatura deseada en el calentador para activar completamente los elementos de calentamiento.

SI NINGUNO DE LOS RESULTADOS ANTERIORES RESUELVE EL PROBLEMA, COMUNÍQUESE CON UN TÉCNICO CALIFICADO. NO INTENTE AJUSTAR O REPARAR EL CALENTADOR/VENTILADOR USTED MISMO.

SERVICIO AL CLIENTE

IMPORTANTE

NO DEVUELVA ESTE PRODUCTO A LA TIENDA

Si tiene problemas con este producto, por favor, contacte al Centro de Satisfacción de Cliente a través del 844-299-0879 o a service@equitybrands.com

UN COMPROBANTE DE COMPRA CON FECHA, No. DE MODELO Y No. DE SERIE ES REQUERIDO PARA EL SERVICIO DE GARANTÍA

DÉPANNAGE ET GARANTIE

GARANTIE LIMITÉE

Toute réparation, remplacement ou service de garantie, et toutes les questions sur ce produit doivent être adressées à BLACK+DECKER au **844-299-0879** des États-Unis ou de Porto Rico.

BLACK+DECKER garantit à l'acheteur d'origine que le produit sera exempt de défauts de matériaux, de pièces et de fabrication pendant la période désignée pour ce produit. La garantie commence le jour de l'achat du produit et couvre jusqu'à une période de **1 an (12 mois) pour la main-d'œuvre / 1 an (12 mois) pour les pièces (défauts de fabrication uniquement)**. BLACK+DECKER accepte de remplacer, à son gré, le produit défectueux par une unité neuve ou réusinée équivalente à votre achat d'origine pendant la période de garantie.

Exclusions: Cette garantie ne s'applique pas aux éléments suivants:

1. Si l'apparence ou l'extérieur du produit a été endommagé ou dégradé, altéré ou modifié dans sa conception ou sa construction.
2. Si le numéro de série d'origine du produit a été modifié ou supprimé ou ne peut pas être facilement déterminé.
3. S'il est endommagé en raison d'une surtension, endommagement de l'utilisateur du cordon d'alimentation ou connexion à une source de tension incorrecte.
4. Si les dommages sont dus à une mauvaise utilisation générale, accidents ou catastrophes naturelles.
5. Si des tentatives de réparation sont effectuées par des agents de service non autorisés, l'utilisation de pièces autres que des pièces d'origine ou obtenues auprès de personnes autres que des compagnies de service autorisées.
6. Sur les unités qui ont été transférées du propriétaire d'origine.
7. Sur les produits achetés comme remis à neuf, comme neuf, d'occasion, en conditions "Tel Quel" ou "Vente Finale".
8. Aux produits utilisés dans un cadre commercial ou de location.
9. Aux produits utilisés dans des conditions autres que usage domestique ordinaire ou utilisé autrement que conformément aux instructions fournies.
10. Aux dommages-intérêts pour les appels de service pour installations incorrectes.
11. Frais de transport et d'expédition associés au remplacement de l'unité.
12. Appels de service pour vous expliquer comment utiliser votre produit.
13. Appels de service pour réparer ou remplacer le fusible de la maison, réinitialiser le disjoncteur ou corriger le câblage dans la maison.

LA RÉPARATION OU LE REMPLACEMENT TELS QUE PRÉVUS DANS LA PRÉSENTE GARANTIE SONT LE RECOURS EXCLUSIF DU CLIENT; BLACK+DECKER NE SERA PAS RESPONSABLE DES DOMMAGES ACCESSOIRES OU INDIRECTS POUR LA VIOLATION DE TOUTE GARANTIE EXPRESSE OU IMPLICITE SUR CE PRODUIT, SAUF DANS LA MESURE INTERDITE PAR LA LOI APPLICABLE. TOUTE GARANTIE IMPLICITE DE QUALITÉ MARCHANDE D'ADÉQUATION À UN USAGE PARTICULIER SUR CE PRODUIT EST LIMITÉE À LA DURÉE DE LA GARANTIE.

Certains états n'autorisent pas l'exclusion ou la limitation des dommages accessoires ou indirects, ni la limitation de la durée de la garantie. Dans ces cas, les exclusions ou limitations ci-dessus peuvent ne pas s'appliquer à vous. Cette garantie vous donne des droits légaux spécifiques et vous pouvez également avoir d'autres droits qui varient d'un état à l'autre.

Obtention Du Service: Pour obtenir du service, de la documentation sur les produits, des fournitures ou des accessoires, veuillez appeler au **844-299-0879** pour créer un ticket pour échange / réparation. Veuillez vous assurer de fournir la date d'achat, le numéro de modèle et une brève description du problème. Notre représentant du service client vous contactera ou enverra des instructions de retour détaillées.

BLACK+DECKER ne garantit pas que l'appareil fonctionnera correctement dans toutes les conditions environnementales et n'offre aucune garantie ni représentation, implicite ou explicite, en ce qui concerne la qualité, les performances, la qualité marchande ou l'adéquation à un usage particulier autre que celui identifié dans ce manuel d'utilisation. BLACK+DECKER a fait tout son possible pour garantir l'exactitude de ce manuel d'utilisation et décline toute responsabilité en cas d'inexactitudes ou d'omissions éventuelles. Les informations contenues dans ce manuel d'utilisation sont sujettes à modification sans préavis et ne représentent pas un engagement de la part de BLACK+DECKER. BLACK+DECKER se réserve le droit d'apporter des améliorations à ce manuel d'utilisation et / ou aux produits décrits dans ce manuel d'utilisation à tout moment et sans préavis. Si vous trouvez dans ce manuel des informations incorrectes, trompeuses ou incomplètes, veuillez nous contacter au **844-299-0879**.

W Appliance Co.
1356 Broadway
New York, NY 10018

BLACK & DECKER, BLACK+DECKER, y los logos y nombres de productos de BLACK & DECKER y el esquema de color naranja y negro son marcas registradas de The Black & Decker Corporation, usados bajo licencia. Todos los derechos reservados.

El producto en esta caja puede diferir levemente de la imagen. No afecta su funcionalidad. No todos los accesorios que se muestran en la fotografía están incluidos en este paquete.

Importado por W Appliance, Inc., 1356 Broadway, Nueva York, NY 10018