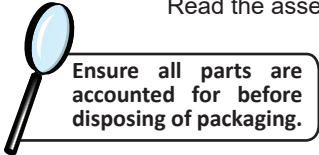


PAGODA STYLE STEEL ENCLOSED OUTDOOR FIREPLACE

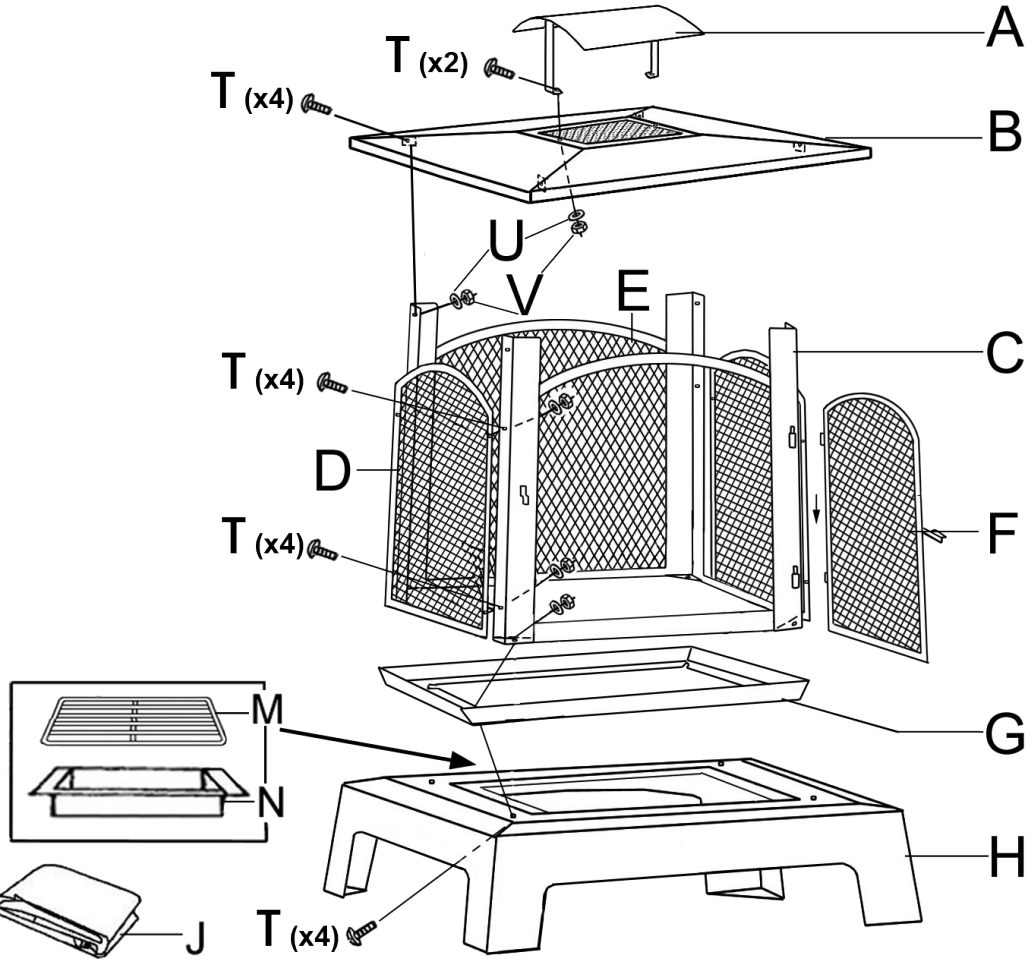
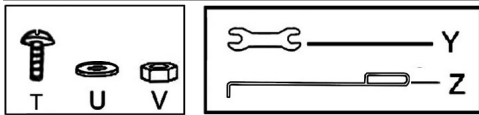
KF-499

Read the assembly instructions carefully and follow the care instructions. Save this document for future reference.
Assemble on a soft, clean surface to avoid scratching or damaging the finish.



No.	PARTS	QTY.
A	Cap	1
B	Top	1
C	Front Frame	1
D	Side Screen	2
E	Back Screen Panel	1
F	Screen Door	1
G	Base Panel	1
H	Leg Base	1
J	Cover	1
M	Wood Grate	1
N	Ash Pan	1

No.	HARDWARE	QTY.
T	Bolt (1/4" x 5/8")	18
U	Washer	18
V	Nut	18
Y	Spanner	1
Z	Poker	1



⚠️ CHOKING HAZARD — This item contains small parts that can be swallowed. Keep children away during assembly.

ASSEMBLY DO NOT FULLY TIGHTEN THE BOLTS BEFORE ASSEMBLY IS COMPLETE.

- Place Base Panel (G) onto Leg Base (H). Align the holes on Front Frame (C) with the front of the base components. Loosely secure with 2x Bolt (T), 2x Washer (U), and 2x Nut (V).
- Align Back Screen Panel (E) on the back side of the base components and loosely secure with 2x Bolt (T), 2x Washer (U), and 2x Nut (V).
- Attach 2x Side Screen (D) to the front frame and back screen panel using 8x Bolt (T), 8x Washer (U), and 8x Nut (V).
- Attach Cap (A) to Top (B) using 2x Bolt (T), 2x Washer (U), and 2x Nut (V).
- Place Top (B) on the assembled screen. Loosely secure the top to the screen using 4x Bolt (T), 4x Washer (U), and 4x Nut (V).
- Attach Screen Door (G) to Front Frame (F). Tighten all hardware.
- Place Ash Pan (N) inside the fireplace, then place Wood Grate (M) onto the ash pan.

CARING FOR YOUR FIRE PIT:

Clean Regularly: All fire pits must be cleaned and inspected periodically. Cleaning out ashes between each use is recommended. Do not allow ash to accumulate in the bottom of the pit.

Clean Safely: Before cleaning, make sure the fire has completely died down and the metal is completely cool. Take care never to drop your fire pit, as any breakage could cause serious damage and costly repairs.

Avoid Accelerants: Never use accelerants to start a fire; this is dangerous and can damage the fire pit.

Avoid Plastic: Never use any plastic materials in or nearby a fire pit. It is very difficult to remove the residue later, and the burning of this residue can cause the emission of toxic fumes.

Use on a Safe Surface: Always use fire pits on a smooth, non-combustible surface; do not use on a wood deck or any other combustible surfaces like dry grass, leaves, mulch, etc. Keep the fire pit a safe distance from combustible structures such as fences, garages, homes, etc.

Cover and Store: Covering your fire pit while not in use is highly recommended. Do not allow the fire pit to be exposed to water; the manufacturer is not liable for rust due to weather conditions.

During winter and inclement weather, cover and store the fire pit in a dry location; this will protect it from the elements and dust buildup.

Extinguish: Letting fires die down gradually is best. Do not use water to put out a fire as this may cause the metal to crack from the sudden drop in temperature.

! SAFETY STATEMENTS & WARNINGS !

- For outdoor use only. Never use this product in an enclosed area.
- Always follow local laws and regulations when using wood-burning fire pits.
- Exercise the same care and precautions as you would with an open fire.
- Only use this fire pit on a level, non-combustible surface.
- Keep unit a safe distance away from buildings, balconies, or overhangs when in use.
- Do not use on or near combustible surfaces or structures such as wood decks, dry leaves or grass, mulch, vinyl or wood siding, etc.
- Keep away from all combustible materials including gasoline and other flammable liquids and vapors.
- Never use accelerants such as, but not limited to, gasoline, alcohol, paint thinners, kerosene, as this may cause serious injury or product damage.
- Children should always be under direct adult supervision around this product. Supervise children and pets when the fire pit is in use.
- Do not overfill or use this unit to burn leaves or trash.
- Avoid using any fire pit during dry or windy conditions.
- Never leave unit unattended while hot or in use.
- DO NOT USE CHEMICAL-BASED CLEANERS as this may damage the product and/or ignite unsafe flames during the next use.
- Extinguish the fire properly before leaving. Use a fire extinguisher or a bucket of sand to smother the fire if necessary. Do not use water to extinguish hot fires or embers as this may cause serious injury and may damage the product.
- Ashes can remain hot for a long time. Ensure ashes are completely cold and dispose of them properly.
- The fire pit becomes very hot when in use; let it completely cool before cleaning or moving.
- Ensure the unit is completely cool before covering.

Any product modification or failure to follow recommended care will void the product warranty.

! WARNING!

Manufacturer and seller expressly disclaim any and all liability from personal injury, property damage or loss, whether direct or indirect, or incidental, resulting from the incorrect attachment, improper use, inadequate maintenance, or neglect of this product.