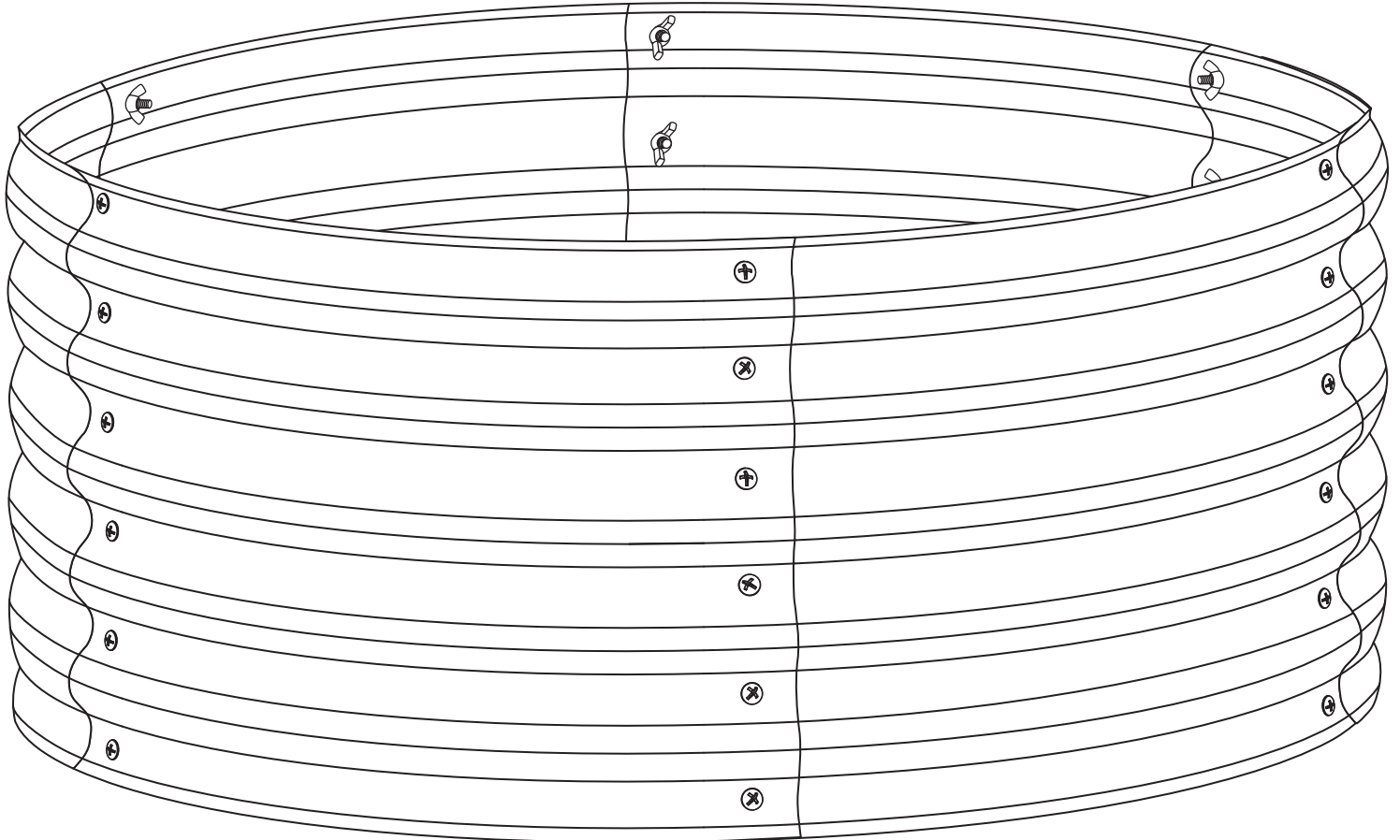




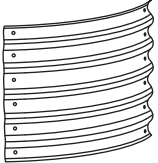



Thank you for choosing Sunnydaze Decor. We stand behind our brand and the quality of the items we sell. Replacement parts or products will be sent at our discretion within the 1-year warranty period. Proof of purchase, with the date of purchase as well as photos of the merchandise defect, must be provided. Photos are used to determine the cause of defects and for future quality control. Register your warranty at <https://tiny.cc/SunnydazeWarranty>. If you have any questions, comments or concerns, feel free to contact us by phone at 833-982-1977, by email: customerservice@sunnydazedecor.com, or via our contact us page at <https://tiny.cc/SunnydazeContact>

ROUND GALVALUME STEEL RAISED GARDEN BED

Read all assembly and care instructions carefully before using this product. Save this manual for future reference.
Assemble on a soft, clean surface to avoid scratching or damaging the finish.



 Inspect packaging to ensure all parts are accounted for before disposing of packing materials.
 Save the packing slip.

No.	PARTS		QTY.
A		Panel	6
B		M6x12mm Bolt Set	36
C		Edge Trim	1
D		Screwdriver	1



CAUTION:

SHARP EDGES

USE EXTREME CAUTION

◀ WEAR GLOVES DURING ASSEMBLY ▶



WARNING



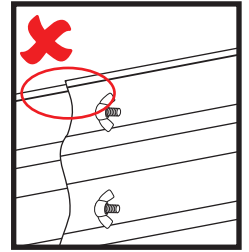
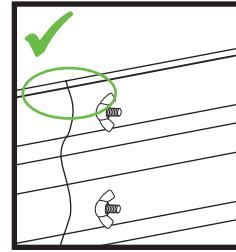
CHOKING HAZARD — This item contains small parts that can be swallowed. Keep children and pets away during assembly.

! HELPFUL HINTS

Before assembly, lay the panels out to ensure all edges will align correctly, as shown in the drawing to the right. If the edges are offset, switch or rotate the panels until all align correctly. If the panel edges are not properly aligned, the mounting holes will be difficult to align, and the Rubber Edge Trim will not install correctly.

Do not fully tighten hardware until all components have been loosely assembled.

If hardware is tightened too soon, mounting holes may not align, and parts may not easily fit together.



ASSEMBLY

STEP 1

A: 2

B: 6

NOTE: Before beginning assembly, read and understand the Helpful Hints noted above.

Align Panels (A) and loosely fasten using six M6x12mm Bolt Sets (B).

Do not fully tighten hardware.

STEP 2

A: 1

B: 6

Align one Panel (A) with the assembled components and fasten using six M6x12mm Bolt Sets (B).

Do not fully tighten hardware.

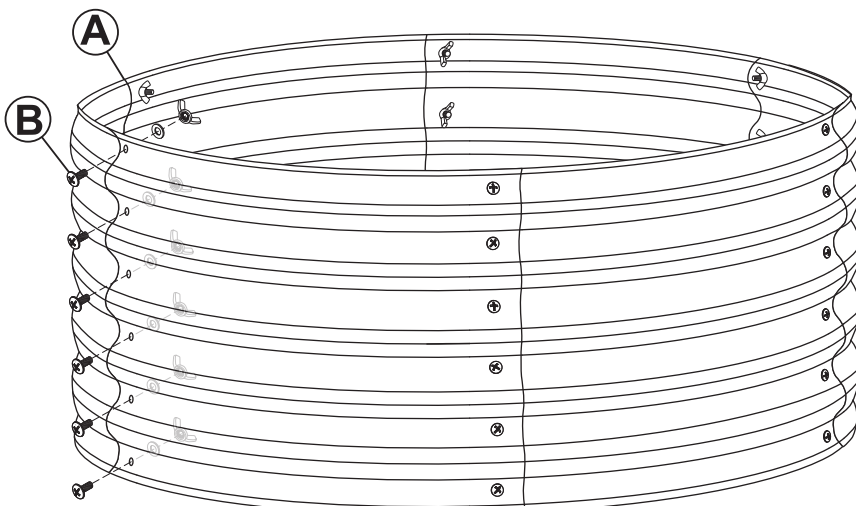
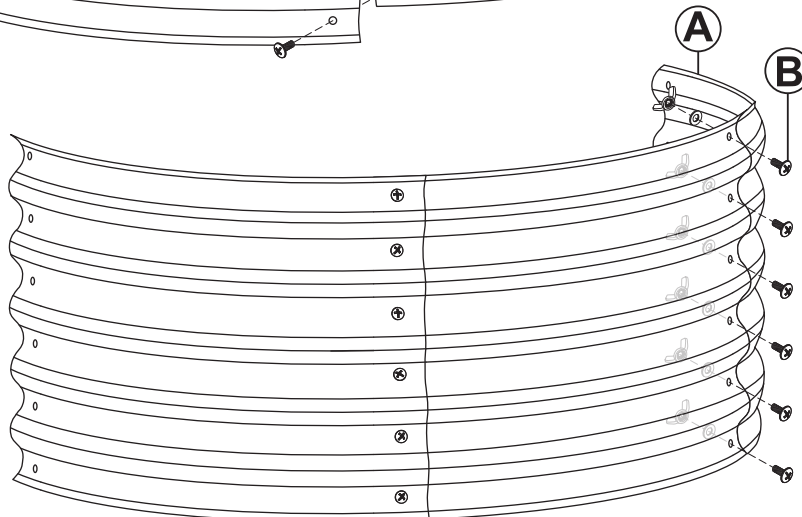
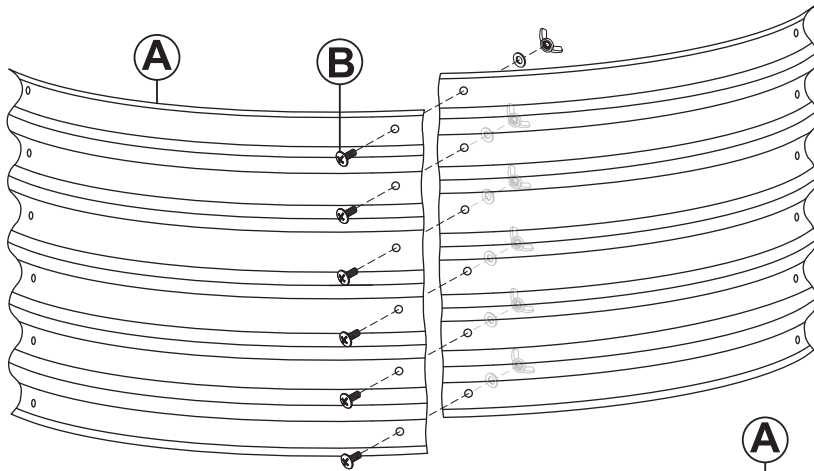
STEP 3

A: 3

B: 24

Repeat the previous step to connect the remaining three Panels (A) using the remaining twenty-four M6x12mm Bolt Sets (B).

Fully tighten all hardware after this step is complete.



EDGE TRIM INSTALLATION (optional)

Begin Installation

Firmly push Trim Edge (C) onto the top side of the garden bed.

Avoid leaving excess material as the trim edge is pressed around the top side of the garden bed.

Removing Excess Trim Material

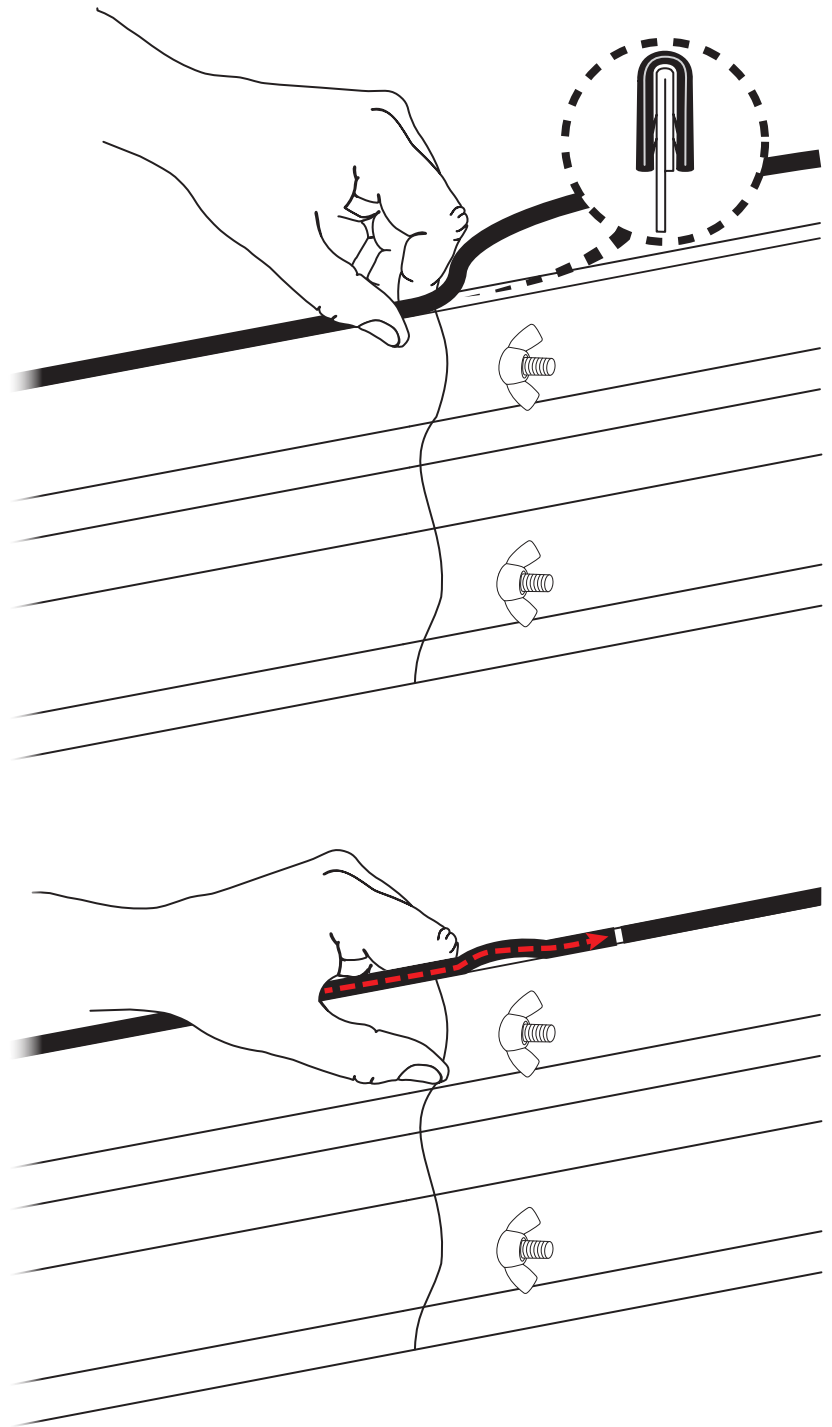
If there is excess trim, use the proper cutting tool and feel for the gap between the clips.

There are metal clips segments embedded into the plastic. If the spot between the clips is not identified before cutting, the trim may crush when making the cut. By finding the gap, the cut will be clean.

Take care not to cut the trim too short.

Finishing Installation

All plastics, over time, will experience some shrinkage, causing your trim edges to separate. To complete the edging installation, leave a bit more material on one side and push the ends together. Press the extra material down to force more material into the application so the trim is not stretched.



WARNING!

Manufacturer and seller expressly disclaim any and all liability from personal injury, property damage or loss, whether direct or indirect, or incidental, resulting from the incorrect attachment, improper use, inadequate maintenance, or neglect of this product.

USE & CARE

- This garden bed provides ergonomic access to plants and helps eliminate the need to till the soil each year as long as the soil is not packed down. Avoid stepping in the bed!
- Prepare the site before installation. Level the ground and remove existing vegetation. Landscaping fabric can be used under the bed; a double layer is recommended for garden beds placed directly on a lawn.
- A layer of gravel or stone can be used at the bottom for improved drainage.
- Loosely hand-tighten all nuts and bolt sets first, position the bed, then tighten. After assembly, check that all fastening points are secured.
- Galvanized metal beds do not require frequent maintenance and are built to withstand years of exposure to the elements.
- The galvanized finish protects the steel from corrosion. Over time, galvanized steel will discolor, this is a normal result from exposure to outdoor elements. Minor surface rust on edges and hardware is to be expected and should not affect the structural integrity of the product.

SAFETY STATEMENTS & WARNINGS

- Do not stand on, or lean objects against the bed walls as doing so may damage the product.
- Do not let children play in or around the garden bed.
- Use of this item for applications other than gardening will void the product warranty.
- Metal edges are sharp; use caution when assembling and tending to plants inside the garden bed.

Any modification to the product or failure to follow recommended care will void the product warranty.

If you experience issues with assembly or the product was damaged during shipping, please contact our customer service team through one of the methods mentioned at the top of page 1.

Please have the item number and order information ready to expedite response time.

WARNING!

Manufacturer and seller expressly disclaim any and all liability from personal injury, property damage or loss, whether direct or indirect, or incidental, resulting from the incorrect attachment, improper use, inadequate maintenance, or neglect of this product.