

Earthquake®

GROUNDBREAKING POWER EQUIPMENT

Operator Manual
Manuel de l'utilisateur

Badger™ Front Tine Tiller

ENGLISH

FRANÇAIS



Get parts or technical assistance online at
www.getearthquake.com or call (800) 345-6007
Pièces détachées et assistance technique en ligne à
www.getearthquake.com ou composer le (800) 345-6007

© 2022 Ardisam
All Rights Reserved
Tous droits réservés
P/N: 41078
ECN: 13703
REV 2: 5/5/2022



THIS INSTRUCTION BOOKLET CONTAINS IMPORTANT SAFETY INFORMATION. PLEASE READ AND KEEP FOR FUTURE REFERENCE.
CE LIVRET D'INSTRUCTIONS CONTIENT DES INFORMATIONS IMPORTANTES SUR LA SÉCURITÉ. VEUILLEZ LE LIRE ET LE CONSERVER POUR TOUTE CONSULTATION EXTÉRIEURE.

INTRODUCTION

Thank you for purchasing the BADGER Tiller from Earthquake®. We have worked to ensure that this tiller meets the highest standards for usability and durability. With proper care, your tiller will provide many years of service.

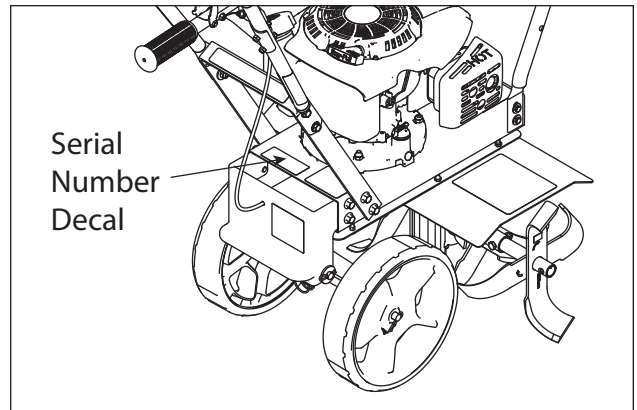
Please read this entire manual before installation and use. Earthquake® reserves the right to change, alter or improve the product and this document at any time without prior notice.

CONTENTS

Introduction/Contents/Registration and Service	2
Warnings and Safety Precautions.....	3-6
Safety Decals	7
Hazard Symbols and Meanings.....	8
Features	9
Unpacking and Assembly	10-12
Controls and Operating Symbols/Controls.....	12-13
Operation	14
Maintenance	15-17
Storage.....	17
Troubleshooting and Repair.....	18

Registration and Service

Record the product model number and serial number in the space provided for easy reference when ordering parts or requesting technical support. Excluding emissions-related warranty items, the warranty is valid only if the completed registration is received by Ardisam within 30 days of purchase. (SEE WARRANTY SECTION FOR MORE INFORMATION) You can register your warranty online by visiting www.getearthquake.com, or by mailing it to: Ardisam, 1730 Industrial Avenue, Cumberland, WI 54829. You may also call our Customer Service department at (800) 345-6007 Mondays through Fridays from 8 a.m. to 4:30 p.m. CST.



OWNERSHIP RECORDS		
Owner's Name:		
Owner's Address:		
City:	State/Province:	Zip Code/Postal Code:
Model Number:	Serial Number:	
Date of Purchase:		
Notes:		

Read and keep this manual for future reference. This manual contains important information on SAFETY, ASSEMBLY, OPERATION, AND MAINTENANCE. The owner must be certain that all the product information is included with the unit. This information includes the MANUAL, the REPLACEMENT PARTS and the WARRANTIES. This information must be included to make sure state laws and other laws are followed. All persons to whom rent/loan this unit must have access to and understand this information. This manual should remain with the product even if it is resold.

WARNINGS AND SAFETY PRECAUTIONS

Owner's Responsibility

Accurate assembly and safe and effective use of the machine is the owner's responsibility.

- Read and follow all safety instructions.
- Carefully follow all assembly instructions.
- Maintain the machine according to directions and schedule included in this Earthquake® operator's manual.
- Ensure that anyone who uses the machine is familiar with all controls and safety precautions.

Special Messages

Your manual contains special messages to bring attention to potential safety concerns, machine damage as well as helpful operating and servicing information. Please read all the information carefully to avoid injury and machine damage.

NOTE: *General information is given throughout the manual that may help the operator in the operation or service of the machine.*



THIS SYMBOL POINTS OUT IMPORTANT SAFETY INSTRUCTIONS WHICH IF NOT FOLLOWED COULD ENDANGER YOUR PERSONAL SAFETY. READ AND FOLLOW ALL INSTRUCTIONS IN THIS MANUAL BEFORE ATTEMPTING TO OPERATE THIS EQUIPMENT.

Before Operating Equipment:

Please read this section carefully. Read entire operating and maintenance instructions for this product. Failure to follow instructions could result in serious injury or death. Operate the machine according to the safety instructions outlined here and inserted throughout the text. Anyone who uses this machine must read the instructions and be familiar with the controls.

Intended Use / Foreseeable Misuse

IMPORTANT: This is a motorized rotary tiller that works the soil by means of rotating tines. It is pedestrian-controlled, but not self-propelled, with a gasoline-fueled internal combustion engine to power the tines. It shall not be used for any other purpose.



NOTICE

NOTICE INDICATES YOUR EQUIPMENT CAN BE DAMAGED IF THE SAFETY INSTRUCTIONS THAT FOLLOW THIS SIGNAL WORD ARE NOT OBEYED.

CAUTION

CAUTION INDICATES A HAZARD WHICH, IF NOT AVOIDED, COULD RESULT IN PERSONAL INJURY AND/OR PROPERTY DAMAGE.

WARNING

WARNING INDICATED A HAZARD WHICH, IF NOT AVOIDED, COULD RESULT IN DEATH OR SERIOUS INJURY AND/OR PROPERTY DAMAGE.

DANGER

DANGER INDICATES A HAZARD WHICH, IF NOT AVOIDED, CERTAINLY WILL RESULT IN DEATH OR SERIOUS INJURY AND/OR PROPERTY DAMAGE.

IMPORTANT

IMPORTANT INDICATES HELPFUL INFORMATION FOR PROPER ASSEMBLY, OPERATION, OR MAINTENANCE OF YOUR EQUIPMENT.

WARNING

CALIFORNIA PROPOSITION 65 WARNING

ENGINE EXHAUST FROM THIS PRODUCT CONTAINS CHEMICALS KNOWN TO THE STATE OF CALIFORNIA TO CAUSE CANCER, BIRTH DEFECTS, OR OTHER REPRODUCTIVE HARM.

WARNING

YOU MUST READ, UNDERSTAND AND COMPLY WITH ALL SAFETY AND OPERATING INSTRUCTIONS IN THIS MANUAL BEFORE ATTEMPTING TO SETUP AND OPERATE YOUR MACHINE.

FAILURE TO COMPLY WITH ALL SAFETY AND OPERATING INSTRUCTIONS CAN RESULT IN LOSS OF MACHINE CONTROL, SERIOUS PERSONAL INJURY TO YOU AND/OR BYSTANDERS, AND RISK OF EQUIPMENT AND PROPERTY DAMAGE. THE TRIANGLE IN THE TEXT SIGNIFIES IMPORTANT CAUTIONS OR WARNINGS WHICH MUST BE FOLLOWED.

GENERAL SAFETY RULES

- Read, understand, and follow all instructions on the machine and in the manual(s). Be thoroughly familiar with the controls and the proper use of the machine before starting.
- Use this equipment for its intended purpose only.
- Familiarize yourself with all of the safety and operating decals on this equipment and on any of its attachments or accessories.
- Do not put hands or feet near or under rotating parts.
- Only allow responsible individuals who are familiar with the instructions to operate the machine. Do not allow children to operate this machine. Do not allow adults to operate the machine without proper instruction.
- Thoroughly inspect the area where the machine is to be used and remove all foreign objects. Your equipment can propel small objects at high speed causing personal injury or property damage. Stay away from breakable objects, such as house windows, automobiles, greenhouses, etc.
- Wear appropriate clothing such as a long-sleeved shirt or jacket. Also wear long trousers or slacks. Do not wear shorts. Never wear sandals, sneakers or open shoes, and never operate the machine with bare feet.
- Do not wear loose clothing or jewelry. They can get caught in moving parts. Always keep hands, feet, hair and loose clothing away from any moving parts on engine and machine.
- Always wear safety goggles or safety glasses with side shields when operating the machine to protect your eyes from foreign objects which can be thrown from the unit. Always wear a protective hearing device.
- Always wear work gloves and sturdy footwear. Wear footwear that will improve footing on slippery surfaces. Leather work shoes or short boots work well for most people. These will protect the operator's ankles and shins from small sticks, splinters, and other debris.
- It is advisable to wear protective headgear to prevent the possibility of being struck by small flying particles, or being struck by low hanging branches, twigs, or other objects which may be unnoticed by the operator.
- Do not operate the machine without proper guards or other safety protective devices in place.
- See manufacturer's instructions for proper operation and installation of accessories. Only use accessories approved by the manufacturer.
- Operate only in daylight or good artificial light.
- Do not operate product when fatigued or under the influence of alcohol, drugs or other medication which can cause drowsiness or affect your ability to operate this machine safely.
- Never operate machine in wet grass. Always be sure of your footing; keep a firm hold on the handle and walk; never run.
- Watch for traffic when operating machine near, or when crossing roads.

- If the equipment should start to vibrate abnormally, stop the engine (motor), flip the ON/OFF switch to the **OFF** position. Check immediately for cause. Vibration is generally a warning of trouble. If the noise or vibrations of the machine increase, stop immediately and perform an inspection.
- Never leave the machine unattended when the engine is running. Flip the ON/OFF switch to the **OFF** position.
- Regularly inspect the machine. Make sure parts are not bent, damaged, or loose.
- Temperature of muffler and nearby areas may exceed 150° F (65° C). Allow muffler and engine areas to cool before touching. Never pick up or carry the machine while the engine is running.
- Prolonged exposure to noise and vibration from gasoline engine-powered equipment should be avoided. Take intermittent breaks and/or wear ear protection from engine noise as well as heavy work gloves to reduce vibration in the hands.
- Keep all screws, nuts, and bolts tight.
- Do not transport the machine from one place to another with the engine running.
- When moving the packaged machine, always do so with a partner.
- Check local regulations for age restrictions on use of this machine.

Product-Specific Safety Rules

- Do not till above underground utilities, including water lines, gas lines, electric cables, or pipes. Do not operate the machine on terrain/soil with large rocks and foreign objects which can damage the equipment.
- After striking a foreign object, stop the engine. Flip the ON/OFF switch to the **OFF** position. Inspect the machine for damage. If damaged, repair before starting and operating the machine.
- The tines of the tiller should not rotate when the drive control lever is released into the neutral position. If it does rotate when in neutral, contact Earthquake[®] Customer Service for instruction.
- If an object becomes lodged in the tines, flip the ON/OFF switch to the **OFF** position, allow to cool before attempting to remove the foreign object.
- Pulleys and belts should be kept free of oil or other moisture for efficient operation.
- Disengage all clutches and leave control lever in the neutral position before starting the engine.

 **WARNING**

ENGINES GIVE OFF CARBON MONOXIDE, AN ODORLESS, COLORLESS, POISONOUS GAS. CARBON MONOXIDE MAY BE PRESENT EVEN IF YOU DO NOT SMELL OR SEE ANY ENGINE EXHAUST. BREATHING CARBON MONOXIDE CAN CAUSE NAUSEA, FAINTING OR DEATH, IN ADDITION TO DROWSINESS, DIZZINESS AND CONFUSION.

IF YOU EXPERIENCE ANY OF THESE SYMPTOMS, SEEK FRESH AIR AND MEDICAL ATTENTION IMMEDIATELY.

ENGINE SAFETY PRECAUTIONS

If your product comes with a separate engine manual, be sure to read and follow all safety and warning precautions outlined there, in addition to any in this manual.

Preventing Carbon Monoxide Poisoning

- Always start and run engine outdoors. Do not start or run engine in an enclosed area, even if doors or windows are open.
- Never try to ventilate engine exhaust indoors. Carbon monoxide can reach dangerous levels very quickly.
- Never run engine outdoors where exhaust fumes may be pulled into a building.
- Never run engine outdoors in a poorly ventilated area where the exhaust fumes may be trapped and not easily taken away. (Examples include: in a large hole or areas where hills surround your working area.)
- Never run engine in an enclosed or partially enclosed area. (Examples include: buildings that are enclosed on one or more sides, under tents, car ports or basements.)
- Always run the engine with the exhaust and muffler pointed in the direction away from the operator.
- Never point the exhaust muffler towards anyone. People should always be many feet away from the operation of the engine and its attachments.
- Do not change the engine governor settings or over-speed the engine.

Gasoline Fires and Handling Fuel Safely

Use extra care in handling gasoline and other fuels. They are flammable and vapors are explosive.

- When storing extra fuel be sure that it is in an appropriate container and away from any fire hazards.
- Prevent fire and explosion caused by static electric discharge. Use only nonmetal, portable fuel containers approved by the Underwriter's Laboratory (U.L.) or the American Society for Testing & Materials (ASTM).

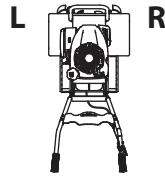
- Never remove the fuel cap or add fuel with the engine running. Stop engine and allow to cool before filling.
- Do not smoke while using engine or product.
- Never drain fuel from engine in an enclosed area.
- Always fill fuel tank outside in a well ventilated area. Never fill your fuel tank with fuel indoors. (Examples include: basement, garage, barn, shed, house, porch, etc.) Never fill tank near appliances with pilot lights, heaters, or other ignition sources. If the fuel has to be drained, this should be done outdoors. The drained fuel should be stored in a container specifically designed for fuel storage or it should be disposed of carefully.
- Always wipe up excess (spilled) fuel from engine before starting. Clean up spilled fuel immediately. If fuel is spilled, do not start the engine but move product and fuel container from area. Clean up spilled fuel and allow to evaporate and dry after wiping and before starting.
- Allow fuel fumes/vapors to escape from the area before starting engine.
- Test the fuel cap for proper installation before starting and using engine.
- Always run the engine with fuel cap properly installed on the engine.
- Never smoke while refilling engine fuel tank.
- Do not store engine with fuel in fuel tank indoors. Fuel and fuel vapors are highly explosive.

Preparation

- Dress appropriately when operating the tiller. Always wear sturdy footwear. Never wear sandals, sneakers or open shoes, and never operate the tiller with bare feet. Do not wear loose clothing that might get caught in moving parts.
- Carefully inspect the area to be tilled and remove all foreign objects. Do not till above underground water lines, gas lines, electric cables, or pipes. Do not operate the tiller in soil with large rocks and foreign objects which can damage the equipment.
- Disengage all clutches and leave control lever in the neutral position before starting the engine.
- Handle fuel with care; it is highly flammable.
 - a. Use an approved fuel container.
 - b. Never add fuel to a running engine or hot engine.
 - c. Fill fuel tank outdoors with extreme care. Never fill fuel tank indoors.
 - d. Replace gasoline cap securely and clean up spilled fuel before restarting.

WARNING

THE RIGHT AND LEFT SIDES OF YOUR ROTOTILLER ARE DETERMINED FROM THE OPERATING POSITION AS YOU FACE THE DIRECTION OF FORWARD TRAVEL.



ENGINE IS SHIPPED FROM FACTORY WITHOUT OIL. YOU MUST ADD ENGINE OIL BEFORE STARTING ENGINE.

WARNING

HOT GASES ARE A NORMAL BY-PRODUCT OF A FUNCTIONING INTERNAL COMBUSTION ENGINE. FOLLOW ALL SAFETY INSTRUCTIONS TO PREVENT BURNS AND FIRES.

DO NOT ALTER/MODIFY ENGINE:

NEVER ALTER OR MODIFY THE ENGINE FROM THE FACTORY. SERIOUS INJURY OR DEATH MAY OCCUR IF ENGINE IS MODIFIED OR ALTERED.

WHEN WORKING ON OR REPLACING PARTS FOR THE ENGINE OR PRODUCT, YOU MUST ALWAYS FLIP THE ON/OFF SWITCH TO THE OFF POSITION.

OPERATION

- Do not operate tiller under the influence of alcohol or drugs.
- Never operate tiller without guards, covers, and hoods in place.
- Keep hands, feet, and clothing away from rotating parts. Keep clear of tiller tines at all times.
- Tines rotate when tiller is engaged; tines rotate when the drive safety control lever is pulled down. Releasing the drive safety control lever to neutral stops the tines.
- Use extreme caution when operating on or crossing gravel drives, walks, or roads. Stay alert for hidden hazards or traffic.
- After striking a foreign object, stop the engine, remove the wire from the spark plug, thoroughly inspect the tiller for any damage, and repair the damage before restarting and operating the tiller.
- If vegetation clogs the tines, stop the engine and disconnect the spark plug wire before removing vegetation by hand.
- If the unit should start to vibrate abnormally, stop the engine and check immediately for the cause. Vibration is generally a warning of trouble.
- Do not run the engine indoors; exhaust fumes are deadly.
- Do not overload the machine capacity by attempting to till too deep at too fast of a rate.
- Never operate the tiller without good visibility or light.
- Be careful when tilling in hard ground. The tines may catch in the ground and propel the tiller forward. If this occurs, let go of the handle bars and do not restrain the machine.
- Take all possible precautions when leaving the machine unattended. Disengage control lever, stop the engine, wait for all moving parts to stop, and make certain guards and shields are in place.
- When leaving the operating position for any reason:
 - Shut off the engine.
 - Wait for all moving parts to stop.

MAINTENANCE AND STORAGE

- Keep machine, attachments and accessories in safe working condition.
- Check shear bolts, engine mounting bolts and other bolts at frequent intervals for proper tightness to be sure the equipment is in safe working condition.
- To prevent accidental starting, always disconnect and secure the spark plug wire from the spark plug before performing tiller maintenance.
- Never run the engine indoors. Exhaust fumes are deadly.
- Always allow muffler to cool before filling the fuel tank.
- Never store equipment with gasoline in the tank inside a closed building where fumes may reach an open flame or spark. Allow the engine to cool before storing in any building.
- Always refer to the operator's guide instructions for important details if the tiller is to be stored for an extended period.

SAFETY DECALS

This rototiller unit has been designed and manufactured to provide you with the safety and reliability you would expect from an industry leader in outdoor power equipment manufacturing.

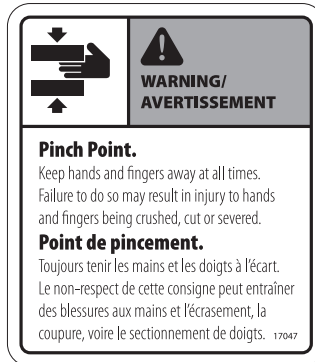
Although reading this manual and the safety instructions it contains will provide you with the necessary basic knowledge to operate this equipment safely and effectively, we have placed several safety labels on the tiller to remind you of this important information while you are operating the unit.

These important safety labels are illustrated below, and are shown here to help familiarize you with the location and content of the safety messages you will see as you perform normal tilling operations. Please review these decals now, and if you have any questions regarding its meaning or how to comply with these instructions, reread the complete safety instruction text in this manual. For additional questions call Earthquake® Customer Service.

Part No. 17052
MOVING PARTS WARNING
Frame Near Belt Decal



Part No. 17047
PINCH POINT WARNING
Tail Mount Decal



Part No. 17921
CORRECT TINE INSTALLATION



WARNING/AVERTISSEMENT



Avoid Serious Injury.

Read operator's manual(s). Know the location and function of all controls. Keep all shields and guards in place and working while running. Never operate tiller when children are around. Dress appropriately and wear sturdy footwear. Carefully inspect area to be tilled. Remove large rocks and other foreign objects. Do not till above underground electric, water, gas, or other utility lines and pipes. Stop the engine and disconnect the spark plug wire before removing debris or servicing unit. When leaving the operating position for any reason, shut off the engine and wait for all moving parts to stop. Failure to follow instructions could result in serious bodily injury.

Danger de blessure grave.

Lire le(s) manuel(s) de l'utilisateur. Connaître l'emplacement et la fonction de toutes les commandes. Maintenir tous les écrans et carters de protection en place et en état de marche durant l'utilisation. Ne jamais faire fonctionner la motobèche en présence d'enfants. S'habiller comme il se doit et porter des chaussures solides. Contrôler avec soin la surface à labourer. Enlever les grosses pierres et autres objets étrangers. Ne pas labourer au-dessus de lignes et conduites souterraines d'électricité, d'eau, de gaz et autres. Arrêter le moteur et débrancher le câble de bougie avant de retirer des débris ou d'intervenir sur la machine. Avant de quitter la position de conduite, quelle qu'en soit la raison, couper le moteur et attendre l'arrêt complet de toutes les pièces en mouvement. Toute infraction aux instructions peut entraîner des blessures corporelles graves.

Part No. 17049
MULTI INJURY WARNING
Hood Decal

Part No. 15698
DECAL PICTORIAL LEVER
CLUTCH ENGAGEMENT
Right Handle Bar and Drive
Control Lever



Part No. 17918
DECAL PLACE FREE HAND HERE
Left Handle Bar

When starting engine,
place free hand here.
Pour démarrer le moteur,
placer le main libre ici.

DANGER



Avoid Injury From Rotating Tines.

Keep hands, feet and clothing away. Moving parts can crush and cut. Tines rotate when tiller is engaged and when drive control lever is pulled back. Releasing the drive control lever to neutral stops the tines.

Danger de blessure par les fraises en rotation.

Tenir les mains, les pieds et les vêtements à l'écart. Les pièces en mouvement peuvent écraser et couper. Les fraises tournent lorsque la motobèche est engagée et que le levier de commande de traction est tiré vers l'arrière. Les fraises s'arrêtent si le levier de commande de traction est relâché et revient en position neutre.

OPERATION/UTILISATION



See Manual For Detailed Operating Instructions.

- To Start:
1. Release drive control lever to neutral position.
 2. Pull transport wheels back to unfold machine.
 3. If equipped, push primer, or slide choke control to choke position.
 4. Move throttle control lever to fast position.
 5. Pull starter rope.

Voir les instructions d'utilisation détaillées dans le manuel.

- Pour démarrer :
1. Laisser le levier de commande de traction revenir en position neutre.
 2. Tirer les roues de transport vers l'arrière pour déplier la machine.
 3. Le cas échéant, appuyer sur la poignée d'amorçage ou faire coulisser la commande de volet de départ jusqu'en position de départ.
 4. Amener le levier de commande des gaz en position haute.
 5. Tirer sur le cordon du lanceur.

Part No. 17050
TINES DANGER/OPERATION
Hood Decal

HAZARD SYMBOLS AND MEANINGS



- A: Warning!
- B: Avoid Injury From Rotating Tines.
- C: Read Owner's Manual Before Operating Machine.
- D: Remove Objects that Could Be Thrown By This Machine.
- E: Dangerous Moving Parts.
- F: Be Aware of Moving and Rotating Parts.
- G: Wear Ear and Eye Protection At All Times.
- H: Do Not Service or Adjust Moving Parts Unless Engine is Stopped and Spark Plug Wire is Disconnected.
- I: Dress Appropriately And Wear Sturdy Footwear.
- J: Toxic Fumes—Do Not Operate in Unventilated Areas.
- K: Hot Surfaces.
- L: Fire Hazards.
- M: Do Not Use In Thunderstorms—For severe weather, stop operation of this machine and seek shelter.
- N: Team Lift—For your safety, always have at least two people when lifting this machine.
- O: Do Not Till Above Underground Utility Lines And Pipes.
- P: Do Not Operate When Children Or Others Are Around.

FEATURES

The advantage of the **Earthquake® BADGER** gear drive **Front Tine Rototiller**, over other tillers, is the exclusive hinged tail mount, wheel and drag stake assembly. This feature gives the tiller its stability and versatility. For easy transport and quick turning in the garden, fold the wheels under the engine. During operation, the wheels unfold back and the drag stake folds down. The long length between the tines and the drag stake make this the most comfortable handling front tine tiller on the market. **SEE FIGURE 1**

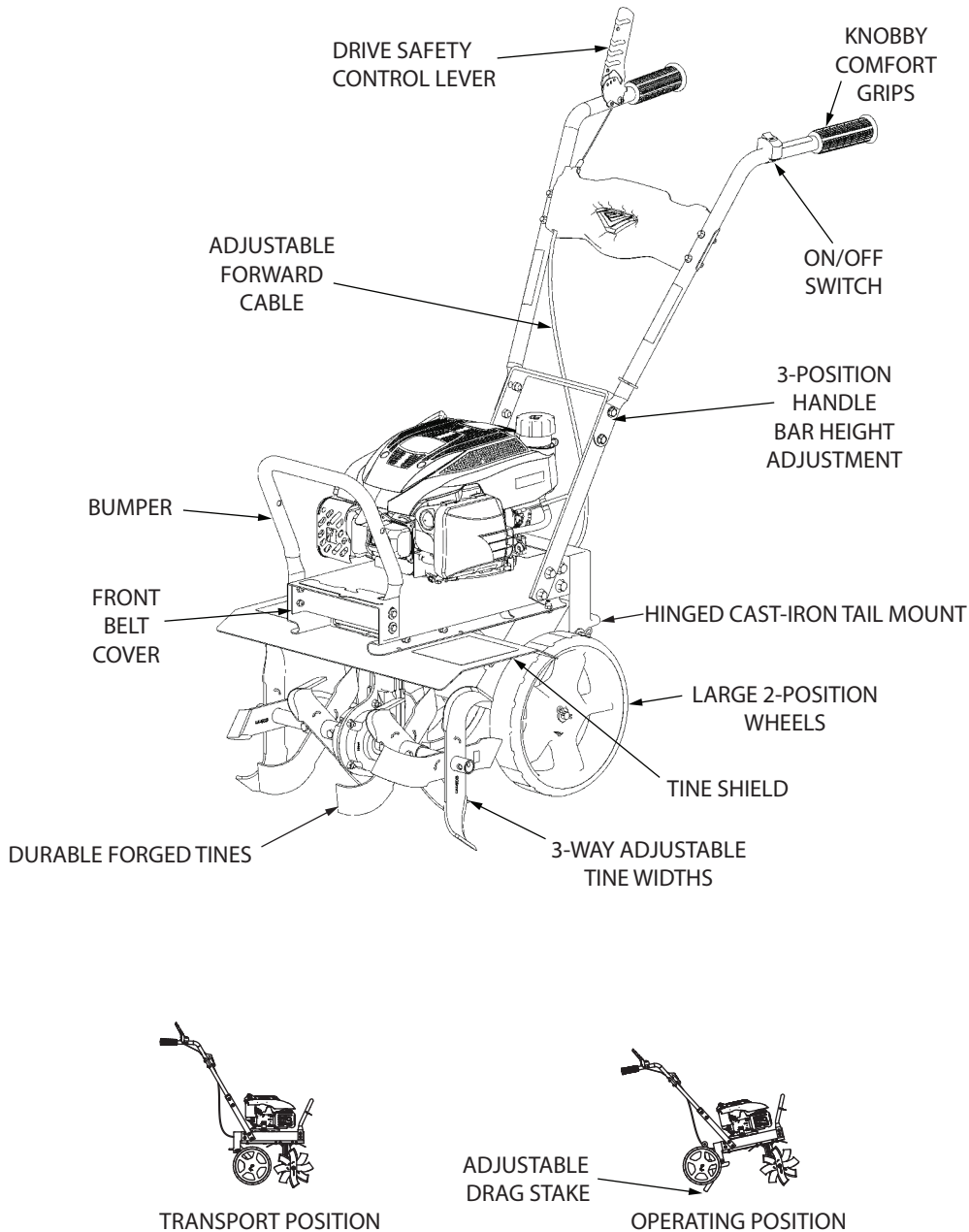


FIGURE 1

IMPORTANT

IT IS RECOMMENDED THAT TWO PEOPLE ASSEMBLE ROTOTILLER TOGETHER. ASSEMBLING ROTOTILLER ALONE MAY MAKE ASSEMBLY MORE DIFFICULT AND INCREASE RISK OF INJURY.

CAUTION

HANDLE ROTOTILLER WITH CARE. DO NOT DAMAGE THROTTLE CABLE WHEN TRANSPORTING OR OPERATING.

WARNING

DO NOT LIFT ROTOTILLER FROM CARTON. ROTOTILLER IS HEAVY AND CAN CAUSE INJURY. CUT BOX AWAY FROM ROTOTILLER TO ACCESS MACHINE AND PARTS.

WARNING

KEEP HANDS AND FEET AWAY FROM TAIL MOUNT CASTING. FAILURE TO DO SO MAY RESULT IN SERIOUS INJURY. (SEE FIGURE 2)

UNPACKING AND ASSEMBLY

Carton Contents

- Front Tine Rototiller
- Parts Bag (with manuals and assembly hardware parts packet)
- Parts Box (with outer tines, wheel axle, and drag stake)
- 2x Wheels
- Handlebar Assembly
- Tine Shield
- Bottle of Viper® 4-Cycle Oil

Tools Required for Assembly

- Utility knife or box cutter
- 2x 10 mm Wrench
- 2x 13 mm Wrench

NOTE: Socket head wrench may make assembly easier, but is not necessary.

ASSEMBLY

- Open top of carton and remove handlebar assembly, wheels, parts bag, tine shield, and bottle of oil.
 - Parts Packet contains:
 - 4 - Bolts M8 X 1.25 X 20MM
 - 2 - Hairpin 2.5 Dia. X 35MM
 - 1 - Pin Lock 8 X 40MM
 - 4 - Washers M8 X 24 X 2.0MM
 - 2 - Bolts M8 X 1.25 X 45
 - 6 - Nut M8 Nylock
 - 2 - Washer 12MM
 - 4 - Bolts M6 X 1.0 X 16MM
 - 4 - Nut M6 Nylock
 - 1 - Drag Stake Handle Assembly (Incl. M6 Bolt & Nut)
- NOTE: Plastic side of Nylock nut must face away from bolt head during assembly. SEE FIGURE 8**
- Cut all four corners of box so it lies flat on the ground.
 - Pull out parts box and remove contents.
 - Assemble axle to lower tail mount. Install wheels on each end of axle; install 12 MM washers onto axle against wheels; insert hairpins into holes in axle to keep washers and wheels in place. **SEE FIGURE 3**

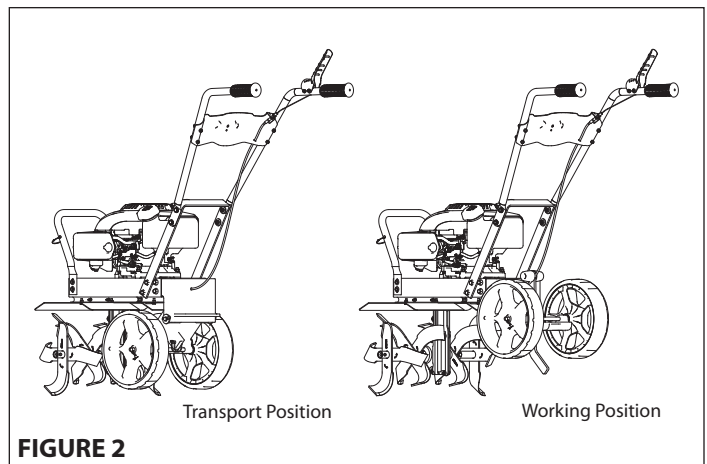


FIGURE 2

Tail mount casting allows tiller to be in two different positions: working and transport. When transitioning from working position into transport position, or vice versa, be careful of the breach between the upper and lower tail mount casting to avoid pinching hazards.

- Install tine shield using four M6 bolts and four M6 nylock nuts. Line up slots on both sides of shield and insert both bolts and nuts in place before fully tightening. **SEE FIGURE 4**
NOTE: Dirt shield must be between engine mount deck and tine shield.
- Assemble tines to unit.
 - Assemble outer tines to unit using two M8 bolts and two M8 nylock nuts. The arrow on the tines must point in the direction of forward rotation.
 - Outside tines have two positions- wide 21" and narrow 16". For narrow width, assemble with short side of tine holder pipe towards center of machine. **SEE FIGURE 5**
 - For wide width, move the left tine to the right side and right tine to the left side. Assemble with the long side of tine pipe towards machine, making sure arrow on the tines are pointing in the direction of forward rotation. **SEE FIGURE 6**

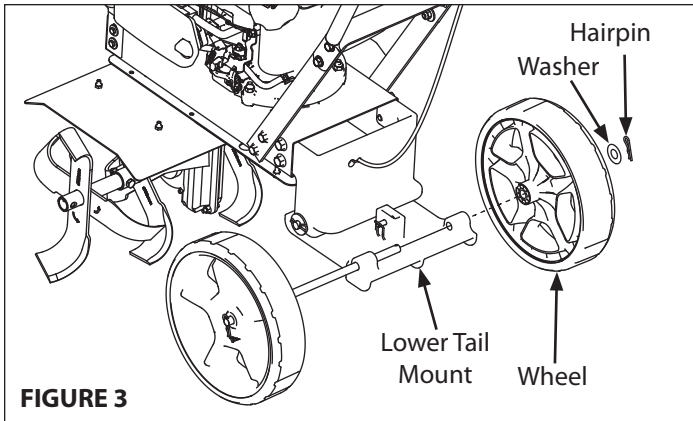


FIGURE 3

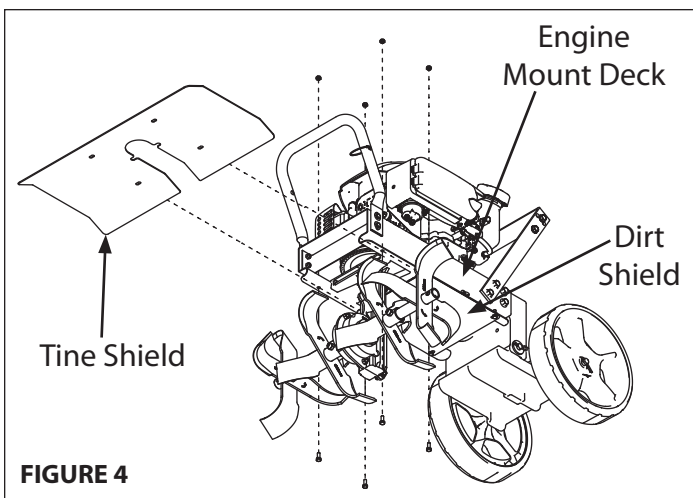


FIGURE 4

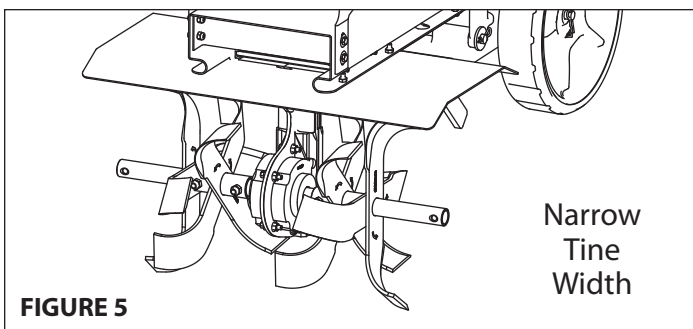


FIGURE 5

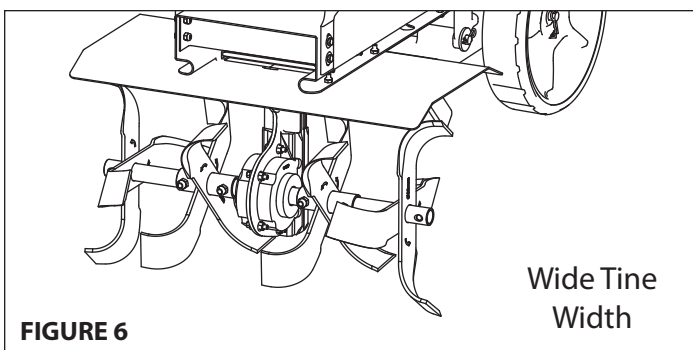


FIGURE 6

7. a. Assemble the upper handle bar assembly onto the lower loop mount using four M8 bolts, four M8 flat washers and four M8 locknuts. The handlebar as well as the bolt should go on the outer side of the lower loop mount, while the washer and nut should be placed on the inside. **SEE FIGURES 7 & 8**
- b. The upper two bolts can be assembled through one of three hole positions depending on the user's preferred handle bar height (low, middle, high). For the highest height, insert bolt into the most forward hole. For the lowest height, insert bolt into the most rear hole. **SEE FIGURE 7**
8. Insert depth regulator/drag stake through bottom opening in lower tail mount and secure with lock pin. Assemble drag stake handle onto drag stake using accompanying M6 Bolt and Nut. **SEE FIGURE 9**

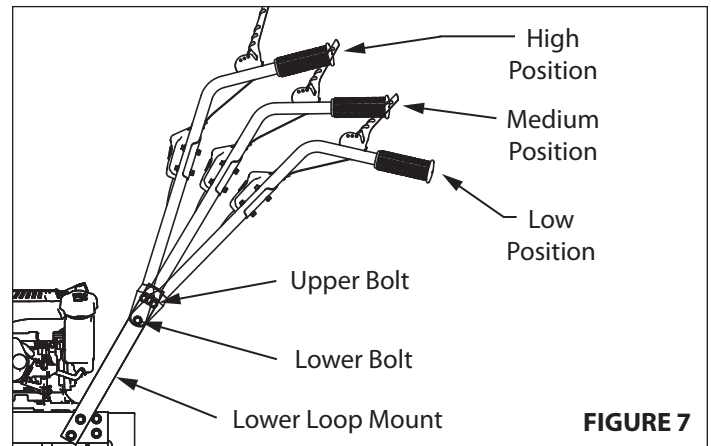


FIGURE 7

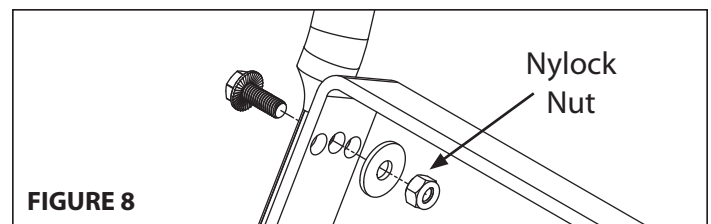


FIGURE 8

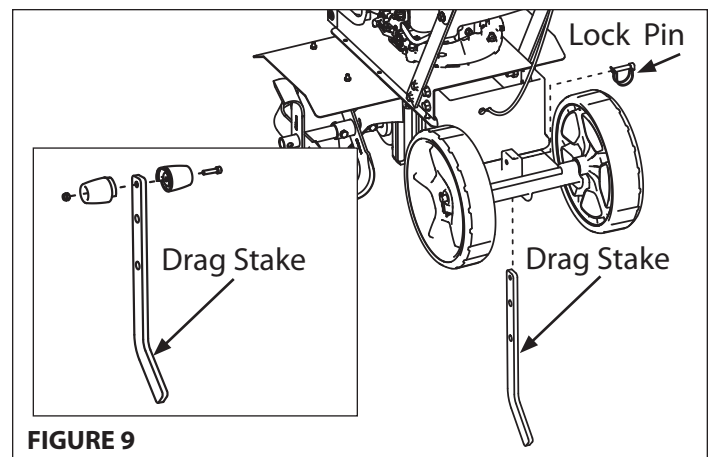
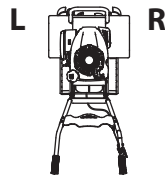


FIGURE 9

⚠ WARNING

THE RIGHT AND LEFT SIDES OF YOUR ROTOTILLER ARE DETERMINED FROM THE OPERATING POSITION AS YOU FACE THE DIRECTION OF FORWARD TRAVEL.



ENGINE IS SHIPPED FROM FACTORY WITHOUT OIL. YOU MUST ADD ENGINE OIL BEFORE STARTING ENGINE.

Fill Engine Crankcase

1. Add oil according to engine manual. Do not overfill. Use a clean, high quality detergent oil. Use no special additives with recommended oils. Do not mix oil with gasoline. Oil level must be full. Check the oil level by checking the engine's oil dipstick if provided, or by removing oil fill plug. Oil level should be up to the bottom of the fill plug opening.
2. Always check oil level before starting engine. Refer to engine manual for capacity and type of oil to use.

CONTROL AND OPERATING SYMBOLS

FIGURE 10 shows common control and operating symbols that may be found on the unit or in this manual. Before you operate your unit, learn and understand the purpose for each symbol.

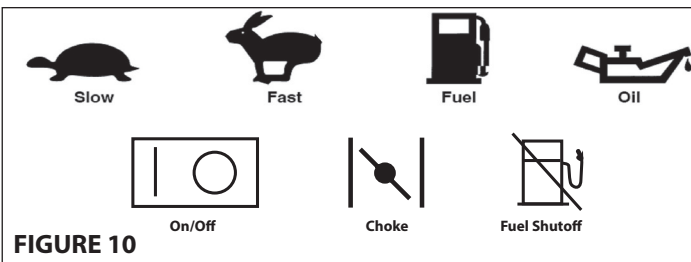


FIGURE 10

CONTROLS

Drive Safety Control Lever

Pulling down on the drive safety control lever engages the tines. Releasing the drive safety control lever disengages the tines to a neutral position.

Belt Tension Adjustment

Proper belt tension is critical for good performance. After 30 minutes of operation, all cables may have to be adjusted due to initial stretch. Thereafter, check tension after every two hours of operation.

⚠ WARNING

THIS INFORMATION IS PROVIDED HERE ONLY TO INTRODUCE THE CONTROLS. DO NOT START THE ENGINE AT THIS TIME. STARTING AND OPERATING INSTRUCTIONS ARE GIVEN IN THIS MANUAL. PLEASE READ THIS SECTION AND ALL OPERATING AND SAFETY INSTRUCTIONS BEFORE STARTING YOUR TILLER.

- AS A SAFETY PRECAUTION, THE DRIVE SAFETY CONTROL LEVER WILL NOT LOCK IN THE FORWARD POSITION.
- TO STOP THE TINES AT ANY TIME, RELEASE THE DRIVE SAFETY CONTROL LEVER.
- ENGINE SHOULD BE OFF BEFORE ADJUSTING ANY CONTROLS.
- DO NOT ADJUST TILLING DEPTH UNLESS DRIVE SAFETY CONTROL LEVER IS RELEASED TO THE NEUTRAL POSITION.

1. To increase belt tension, loosen upper jam nut in 1/8" increments while holding lower jam nut in place.

SEE FIGURE 11

2. Check adjustment and instructions under "Check Belt Tension" section.

This procedure can be repeated until conduit adjustment bolts have no more adjustment left. If no more adjustment can be made, belt may have to be replaced.

Depth Regulator Drag Stake

To Adjust Tilling Depth:

1. Remove lock pin.
2. Raise or lower the depth regulator. The lower the depth regulator, the deeper the tilling depth.
3. Align hole in depth regulator lever with hole in depth regulator bracket and replace lock pin.

SEE FIGURE 9 (page 11)

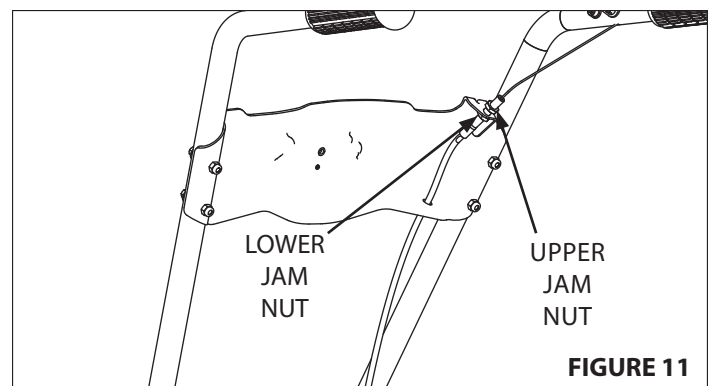


FIGURE 11

 **DANGER**

DO NOT START YOUR TILLER UNTIL YOU HAVE READ AND UNDERSTAND THIS MANUAL AND THE SECTIONS IN THIS MANUAL COVERING SAFETY AND OPERATION.

ALWAYS PERFORM THE PRE-START INSPECTION CHECKLIST BEFORE STARTING THE ENGINE.

PRACTICE OPERATING THE CONTROLS AND TILLER WITH TINES OUT OF GROUND BEFORE BEGINNING TO TILL. IT IS IMPORTANT THAT YOU KNOW HOW TO USE THE TILLER PROPERLY: KEEP CONTROL AT ALL TIMES, STOP THE TINE FROM TURNING, AND STOP THE ENGINE IF NECESSARY. IF YOU DO NOT KNOW HOW TO DO THESE THINGS, READ THE CONTROLS AND SAFETY SECTIONS BEFORE PROCEEDING.

ALWAYS MAINTAIN CONTROL OF YOUR TILLER. ONLY OPERATE TILLER IN SOIL CONDITIONS THAT ARE CONDUCIVE TO MAINTAINING CONTROL OF THE TILLER. DO NOT OPERATE TILLER IN CONDITIONS THAT CONTAIN ROCKS, FOREIGN OBJECTS, OR ANY OTHER MATERIAL THAT IS NOT SOIL. IF YOUR TILLER BUMPS, JERKS, OR LURCHES, LET GO OF THE HANDLEBARS AND THE DRIVE CONTROL LEVER IMMEDIATELY SO THAT THE TINES STOP TURNING.

CAUTION MUST BE TAKEN WHEN SELECTING TILLING DEPTH. LOSS OF CONTROL COULD RESULT IF YOU ATTEMPT TO TILL IN CERTAIN SOIL CONDITIONS WITH THE DRAG STAKE SET IN TOO HIGH OF A POSITION.

STOP THE ENGINE AND REMOVE SPARK PLUG WIRE BEFORE REMOVING MATERIAL FROM THE TINES BY HAND OR ANY OTHER METHOD.

ENGINE AND SURROUNDING PARTS BECOME EXTREMELY HOT DURING NORMAL OPERATION. TEMPERATURE OF MUFFLER AND NEARBY AREAS MAY EXCEED 150°F (66°C). AVOID THESE AREAS. ALLOW ENGINE TO COOL COMPLETELY BEFORE TOUCHING THESE HOT SURFACES. THESE AREAS WILL CAUSE SERIOUS BURN INJURIES IF TOUCHED BEFORE THE ENGINE HAS COOLED.

ALWAYS KEEP HANDS AND FEET CLEAR OF ROTATING MACHINE PARTS.

 **CAUTION**

DO NOT USE CHOKE CONTROL TO STOP ENGINE. BACKFIRE OR ENGINE DAMAGE MAY OCCUR!

TO STOP THE ENGINE AT ANY TIME, MOVE THROTTLE CONTROL TO THE OFF OR STOP POSITION, OR TURN THE ON/OFF SWITCH TO OFF.

ALWAYS RELEASE DRIVE SAFETY CONTROL LEVER TO NEUTRAL POSITION BEFORE ADJUSTING THE DEPTH OF THE DRAG STAKE.

ENGINE IS SHIPPED FROM FACTORY WITHOUT OIL. YOU MUST ADD ENGINE OIL BEFORE STARTING ENGINE.

 **WARNING**

GASOLINE IS HIGHLY FLAMMABLE AND MUST BE HANDLED WITH CARE. NEVER FILL THE TANK WHEN THE ENGINE IS HOT OR RUNNING. ALWAYS MOVE OUTDOORS TO FILL THE TANK.

OPERATION

Pre-Start Inspection

1. Make sure all safety guards are in place and all nuts and bolts are secure.
NOTE: All hardware (nuts, bolts, etc) should be checked for tightness before each use. Vibration of machine can cause them to loosen.
2. Check oil level in engine crankcase. See your engine manual for procedure and specifications.
3. Inspect air cleaner for cleanliness. See your engine manual for procedure.
4. Check the fuel level. Fill the fuel tank no closer than one inch from top of tank to provide space for expansion. See your engine manual for fuel recommendations.
5. Be sure spark plug wire is attached and spark plug is tightened securely.
6. Check position of wheels.
7. Check depth regulator drag stake position.
8. Examine underneath and around engine for signs of oil or fuel leaks.
9. Inspect fuel hoses for tightness and fuel seepage.
10. Look for signs of engine damage.
11. Remove excessive debris from muffler area and recoil starter.
12. Turn fuel shutoff valve to the **ON** position if engine is equipped with one.

START-UP

Start-up instructions and a description of engine operation and all related precautions and procedures can be found in the engine manufacturer's manual that accompanies the tiller.

Shutting Down

To stop the engine at any time, put the ON/OFF switch to the **OFF** position. To stop tines at any time, release the drive safety control to the neutral position.

Tilling

1. Adjust the depth regulator drag stake to achieve desired tilling depth.

NOTE: Raise depth regulator lever up one hole at a time, testing tiller operation after each adjustment. Raising depth regulator lever too high can result in loss of control of tiller!

2. Place the tiller in motion by pushing down on the drive safety control lever; this will engage the tines.

MAINTENANCE

Maintenance Schedule

Your rototiller has been designed and produced by the industry's leading manufacturer of outdoor power equipment to provide you with years of reliable operation. Keeping your tiller in top running condition will prolong its life, and help you obtain optimum performance. Please read this maintenance schedule, and note the recommended care operating intervals to extend the life of your unit.

Maintenance Operation	Page	Before Each Use	50 hours or Every Season
Check belt tension	16	X	
Change forward belt	16		X
Engine maintenance	17, EM	X	X
Check oil level/change oil	17, EM	X	1
Clean tine axle shaft	17	X	X
Lubrication	17		X

EM = See engine manual

1 = Change oil after the first three to five hours of use, then after every 50 hours or every season. Change oil every 25 hours when operating under heavy load or in high temperatures.

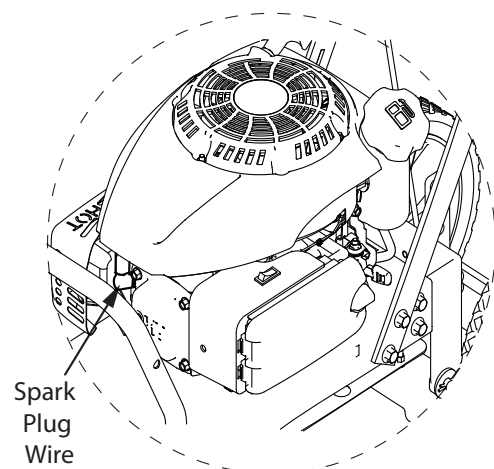
SERVICING THE ROTOTILLER

The following information will help you make the necessary checks and perform the procedures required to follow the normal care recommendations made for your rototiller unit. If you prefer, your local authorized dealer can make these checks and perform the required procedures for you.

Important: Use only approved Earthquake® spare parts.

WARNING

PREVENT ACCIDENTAL STARTING.



ENGINE MUST BE TURNED OFF AND COOL, AND SPARK PLUG WIRE MUST BE REMOVED AND SECURED FROM SPARK PLUG BEFORE CHECKING AND ADJUSTING ENGINE OR EQUIPMENT. ACCIDENTAL ENGINE START CAN CAUSE SERIOUS INJURY.

BELT MAINTENANCE

Check Belt Tension

Belt tension may decrease over time. It may need to be adjusted within the first half hour of operation and should be checked after every two hours of operation. Proper adjustment will assure long belt life. Too much or too little belt tension will cause premature belt failure.

An indication that the belt may need to be adjusted is a constant buzzing sound that can be heard when the engagement lever is compressed (see page 18), or a persistent squealing sound when engaged and under load.

NOTE: A short buzzing noise can be heard when engagement lever is released. This is normal, caused by the teeth of the cog belt catching the wire guide, stopping the rotation of the belt. This does not require the belt tension to be adjusted.

To check and adjust the belt tension, do as follows:

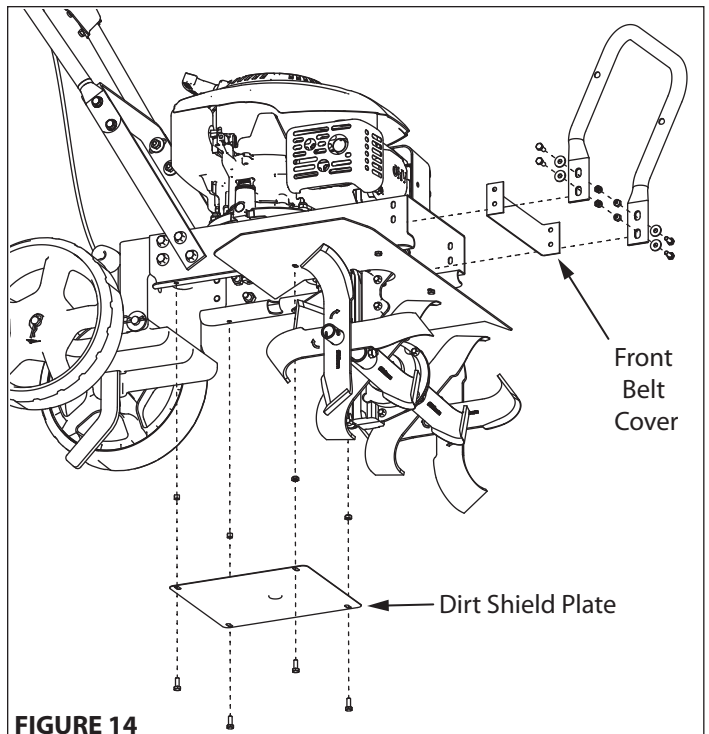
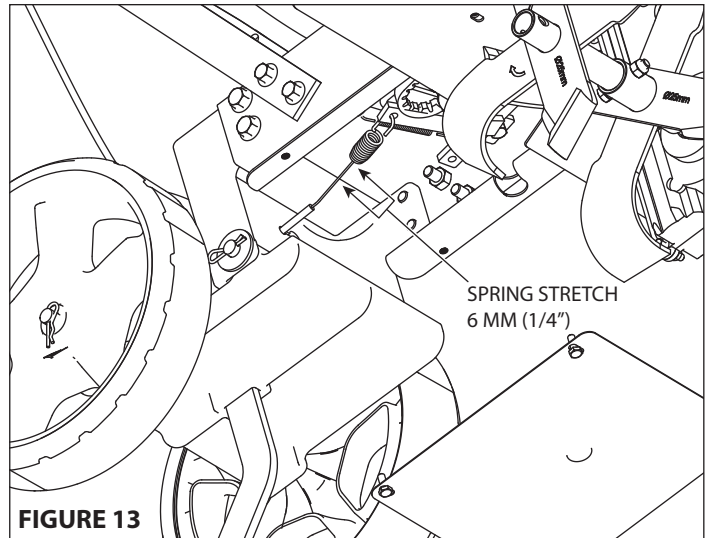
1. Turn off engine. Engine must be cool.
2. Remove spark plug wire from spark plug and secure.
3. With drive safety control lever in the neutral position, measure length of the cable spring when in its relaxed state.
4. Pull down on drive safety control lever and measure length of spring when extended. Ideal length would be 1/4" longer. **SEE FIGURE 13**
5. To adjust, **SEE FIGURE 11** and Belt Tension Adjustment instructions.

Change Belt

1. Turn off engine. Engine must be cool.
2. Remove spark plug wire from spark plug and secure.
3. Remove front belt cover and dirt shield plate from tiller frame. **SEE FIGURE 14**
 - a. Remove the belt from the engine pulley as follows:
 - Gently pull the engine recoil rope to rotate the pulley.
 - With the pulley turning, force the belt out of the V-groove.
 - Slide the belt free of the engine pulley.
 - Pull the belt down and out of the way.
 - Push the belt forward and out the front of the machine.
 - b. Install new belt as follows:
 - Place belt in transmission pulley groove.
 - Gently pull the engine recoil rope to rotate the engine pulley while forcing the belt into the V-groove.
4. Reinstall front belt cover and dirt shield plate onto tiller frame.
5. Check and readjust belt tension if necessary.
6. Attach spark plug wire.

IMPORTANT

CHECK BELT TENSION REGULARLY. TOO MUCH OR TOO LITTLE TENSION WILL CAUSE PREMATURE BELT FAILURE AND DAMAGE TO EQUIPMENT.



BELT REPLACEMENT P/N: 22633

ENGINE MAINTENANCE

Refer to the engine manual included in your parts bag for information on engine maintenance. Your engine manual provides information and a maintenance schedule for performing the following tasks:

1. Check oil level before each use and after every eight hours of operation.
2. Change oil after first three to five hours of operation.
3. Change oil while engine is warm. Refill with new oil of recommended grade.
4. Check spark plug yearly or every 100 hours of operation.
5. Service air cleaner.
6. Keep engine and parts clean.
7. Check engine and equipment often for loose nuts and bolts; keep all hardware tightened.

Check or Fill Engine Crankcase

1. Add oil according to engine manual. Do not overfill. Use a clean, high-quality 4-cycle engine oil. Use no special additives with recommended oils. Do not mix oil with gasoline. Oil level must be full. Check the oil level by checking the engine's oil dipstick.
2. Always check oil level before starting engine. Refer to engine manual for capacity and type of oil to use.

Clean Tine Axle Shaft

1. Turn off engine. Engine must be cool.
2. Remove spark plug wire and secure from spark plug.
3. Remove all vegetation, string, wire, and other material that may have accumulated on the axle between the inside set of tines and the seal on the transmission housing.
4. Replace spark plug wire.

Lubrication

Proper lubrication of moving mechanical parts is critical for proper care and maintenance. Oil the moving parts using a 30-weight oil.

CAUTION

ENGINE IS SHIPPED FROM FACTORY WITHOUT OIL. YOU MUST ADD ENGINE OIL BEFORE STARTING ENGINE.

ENGINE CAN OVERHEAT AND BECOME DAMAGED IF DEBRIS BLOCKS THE COOLING SYSTEM OR ROTATING SCREEN.

NEVER RUN ENGINE WITHOUT COMPLETE AIR CLEANER INSTALLED ON ENGINE.

FAILURE TO FOLLOW THESE INSTRUCTIONS CAN CAUSE DAMAGE TO THE ENGINE AND VOID YOUR WARRANTY.

STORAGE

Prepare for Storage

Follow the steps below to prepare your tiller for storage. Read your engine manual for detailed instructions on preparing the engine for storage.

1. Protect wheels and axles from rust:
 - Coat the axles lightly with axle grease.
2. Drain fuel system completely following engine manufacturer's instructions or add fuel stabilizer to prevent fuel from gumming up during extended storage period. Run engine for at least 5 minutes to distribute fuel stabilizer mixture throughout entire fuel system.
3. While engine is still warm, drain the oil from the engine. Refill with fresh oil that is recommended in engine manual.
4. Clean external surfaces, engine and cooling fan.
5. Remove spark plug; pour one ounce of SAE 30 oil into spark plug hole.
6. Plug hole and pull starter cord slowly to distribute oil evenly in cylinder head area.
7. Reinstall spark plug.
8. Transport unit to a suitable storage location. If you have chosen to use a fuel stabilizer and have not drained the fuel system, follow all safety instructions and storage precautions in this manual to prevent the possibility of fire from the ignition of gasoline fumes. Remember, gasoline fumes can travel to distant sources of ignition and ignite, causing risk of explosion and fire.
9. If there is any possibility of unauthorized use or tampering, remove the spark plug and store it in a safe place before storing the rototiller unit. Be sure to plug the spark plug hole to prevent foreign material from entering.

WARNING

PRACTICE SAFETY AT ALL TIMES. ENGINE MUST BE TURNED OFF AND ALLOWED TO COOL, AND SPARK PLUG WIRE MUST BE DISCONNECTED AND SECURED BEFORE ATTEMPTING ANY MAINTENANCE OR REPAIR.

FAILURE TO COMPLY WITH THIS SAFETY REQUIREMENT CAN RESULT IN SERIOUS PERSONAL INJURY TO YOU OR BYSTANDERS.

DO NOT STORE TILLER IN AN UNVENTILATED AREA WHERE FUEL FUMES MAY REACH FLAME, SPARKS, PILOT LIGHTS OR AN IGNITED OBJECT. DRAIN FUEL OUTDOORS AWAY FROM ANY IGNITION SOURCES. USE ONLY APPROVED FUEL CONTAINERS.

TROUBLESHOOTING AND REPAIR

Troubleshooting Guide

While normal care and routine maintenance will extend the life of your rototiller, prolonged or constant use may eventually require that service be performed to allow it to continue operating properly. The troubleshooting guide below lists the most common problems, causes and remedies.

PROBLEM	REMEDY/ACTION
Engine will not start	<ul style="list-style-type: none"> • Add gas to gas tank. • Connect spark plug wire to spark plug. • ON/OFF switch must be turned ON and engine choked for a cold start (if equipped with a choke).
Engine runs rough, floods during operation	<ul style="list-style-type: none"> • Clean or replace air cleaner.
Engine is hard to start	<ul style="list-style-type: none"> • Drain old fuel and replace with fresh. Use gas stabilizer at end of season. • Make sure spark plug wire is securely attached to spark plug. • Drive safety control lever must be released to neutral to start the engine.
Engine misses or lacks power	<ul style="list-style-type: none"> • Raise the tines for shallow tilling by raising the depth regulator drag stake. • Clean or replace air cleaner. • Improper carburetor adjustment, take to authorized engine service center. • Replace spark plug and adjust gap. • Drain and refill gas tank with fresh fuel.
Tiller moves forward during starting	<ul style="list-style-type: none"> • Drive safety control lever must be released to neutral to start the engine. • Check belt tension.
Tiller is difficult to control when tilling (Machine jumps or lurches forward)	<ul style="list-style-type: none"> • Lower the depth regulator drag stake for greater resistance and control of the machine.
Belts squeal in forward operation	<ul style="list-style-type: none"> • Check belt tension and adjust if necessary.
Constant buzzing sound is heard while engagement lever is compressed	<ul style="list-style-type: none"> • Fully compress engagement lever • Properly space wire guide from idler pulley to clear belt • Check belt tension and adjust if necessary. <p>NOTE: If engagement lever is fully compressed, wire guide is properly adjusted, and cable has reached full adjustment and buzzing persists, the belt may be stretched and may need to be replaced. *</p>
Excessive heat build up in transmission/tine area during tilling	<ul style="list-style-type: none"> • Remove vegetation. • Check transmission fluid and fill if needed.

* Please contact 800-345-6007 for service parts

INTRODUCTION

Merci d'avoir acheté le motoculteur BADGER d'Earthquake®. Nous nous sommes attachés à ce que ce motoculteur réponde aux plus hautes normes d'utilisation et de durabilité. Moyennant des soins corrects, il offrira de nombreuses années de service fiable.

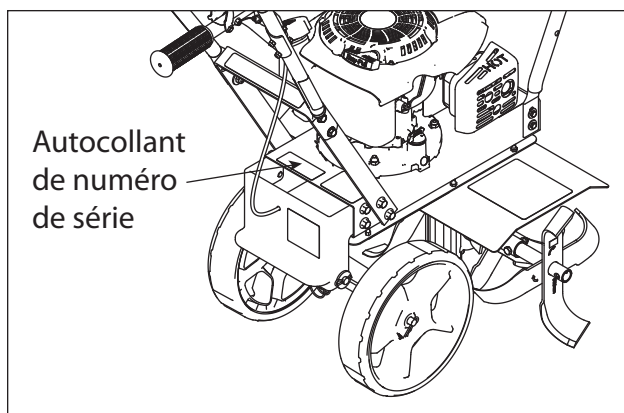
Lire ce manuel en entier avant de l'installer et de l'utiliser. Earthquake® se réserve le droit de changer, modifier ou améliorer ce produit et cette documentation à tout moment sans préavis.

SOMMAIRE

Introduction / Sommaire / Enregistrement et service après-vente	19
Avertissements et mesures de précaution.....	20-23
Autocollants de sécurité	24
Symboles de sécurité et significations	25
Caractéristiques	26
Déballage et assemblage	27-29
Symboles de commande et de fonctionnement / Commandes.....	29-30
Utilisation	31
Entretien	32-34
Entreposage	34
Dépannage et réparation	35

Enregistrement et service après-vente

Consigner le numéro de modèle et le numéro de série du produit dans l'espace prévu pour y accéder facilement lors des commandes de pièces détachées ou des demandes d'assistance technique. À l'exception des articles couverts par la garantie sur le contrôle des émissions, la garantie est valable uniquement si l'enregistrement dûment rempli est reçu par Ardisam dans les 30 jours après l'achat. (POUR PLUS DE RENSEIGNEMENTS, VOIR LA SECTION SUR LA GARANTIE.) L'enregistrement de la garantie peut se faire en ligne à www.getearthquake.com ou par courrier à : Ardisam, 1730 Industrial Avenue, Cumberland, WI 54829, États-Unis. Il est aussi possible d'appeler notre Service après-vente au (800) 345-6007 du lundi au vendredi de 8h00 à 16h30 HNC.



RENSEIGNEMENTS SUR LE PROPRIÉTAIRE		
Nom du propriétaire :		
Adresse du propriétaire :		
Ville :	État/Province :	Code postal :
Numéro de modèle :	Numéro de série :	
Date d'achat :		
Notes :		

Lire ce manuel et le conserver pour toute consultation ultérieure. Ce manuel contient des renseignements importants sur la SÉCURITÉ, l'ASSEMBLAGE, l'UTILISATION et l'ENTRETIEN. Le propriétaire doit veiller à ce que toute la documentation sur le produit soit fournie avec l'appareil. Cette documentation comprend le MANUEL, la liste des PIÈCES DE RECHANGE et les GARANTIES. Cette documentation doit être fournie en vertu de la réglementation en vigueur. Toutes les personnes à qui cette machine est louée/prêtée doivent avoir accès à ces informations et les comprendre. Le présent manuel doit rester avec le produit, notamment s'il est revendu.

AVERTISSEMENTS ET MESURES DE PRÉCAUTION

Responsabilité du propriétaire

L'assemblage correct et l'utilisation sûre et efficace de la machine relèvent de la responsabilité de l'utilisateur.

- Lire et respecter toutes les instructions de sécurité.
- Suivre avec attention toutes les instructions d'assemblage.
- Entretien la machine conformément aux instructions et au calendrier figurant dans le manuel de l'utilisateur Earthquake.
- S'assurer que quiconque utilise la machine est bien familiarisé avec toutes les commandes et mesures de précaution.

Messages spéciaux

Ce manuel contient des messages spéciaux attirant l'attention sur des problèmes de sécurité et dommages potentiels à la machine, ainsi que des informations utiles sur l'utilisation et l'entretien. Veiller à lire toutes ces informations avec attention pour éviter les blessures et les dommages à la machine.

REMARQUE : Des informations générales sont fournies à travers ce manuel pouvant aider l'opérateur dans l'utilisation ou l'entretien de la machine.



CE SYMBOLE SIGNE DES INSTRUCTIONS DE SÉCURITÉ IMPORTANTES QUI DOIVENT ÊTRE RESPECTÉES POUR NE PAS METTRE EN DANGER LA SÉCURITÉ DES PERSONNES. LIRE ET RESPECTER TOUTES LES INSTRUCTIONS DU MANUEL AVANT DE TENTER DE FAIRE FONCTIONNER CET APPAREIL.

Avant d'utiliser la machine :

Veiller à lire cette section avec attention. Lire l'ensemble des instructions d'utilisation et d'entretien de ce produit. Tout manquement à respecter ces instructions peut entraîner des blessures graves ou la mort. Utiliser la machine conformément aux instructions de sécurité fournies ici et tout au long du manuel. Quiconque utilise cette machine doit lire les instructions et être familiarisé avec les commandes.

Emploi prévu / Emploi détourné prévisible

IMPORTANT : Ceci est un motoculteur rotatif motorisé qui travaille le sol au moyen de fraises en rotation. Il est conçu pour un utilisateur à pied, mais n'est pas autotracté, avec un moteur à combustion interne à essence pour entraîner les fraises. Il ne doit être utilisé à aucune autre fin.



AVIS

AVIS INDIQUE QUE LE MATÉRIEL PEUT ÊTRE ENDOMMAGÉ SI LES INSTRUCTIONS DE SÉCURITÉ QUI SUIVENT CE MOT-INDICATEUR NE SONT PAS RESPECTÉES.



ATTENTION

ATTENTION INDIQUE UN DANGER QUI, S'IL N'EST PAS ÉVITÉ, PEUT PROVOQUER DES BLESSURES CORPORELLES ET/OU DES DÉGÂTS MATÉRIELS.



AVERTISSEMENT

AVERTISSEMENT INDIQUE UN DANGER QUI, S'IL N'EST PAS ÉVITÉ, PEUT PROVOQUER LA MORT OU DES BLESSURES CORPORELLES ET/OU DÉGÂTS MATÉRIELS GRAVES.



DANGER

DANGER INDIQUE UN DANGER QUI, S'IL N'EST PAS ÉVITÉ, PROVOQUERA IMMANQUABLEMENT LA MORT OU DES BLESSURES CORPORELLES ET/OU DÉGÂTS MATÉRIELS GRAVES.

IMPORTANT

IMPORTANT SIGNE DES INFORMATIONS UTILES CONCERNANT L'ASSEMBLAGE, L'UTILISATION OU L'ENTRETIEN DU MATÉRIEL.



AVERTISSEMENT

AVERTISSEMENT PROPOSITION 65 DE CALIFORNIE

L'ÉCHAPPEMENT DU MOTEUR DE CE PRODUIT CONTIENT DES SUBSTANCES CHIMIQUES DÉCLARÉES RESPONSABLES DE CANCER, MALFORMATIONS CONGÉNITALES OU AUTRES ANOMALIES DE LA REPRODUCTION PAR L'ÉTAT DE CALIFORNIE.



AVERTISSEMENT

VEILLER À LIRE, À COMPRENDRE ET À RESPECTER TOUTES LES INSTRUCTIONS DE SÉCURITÉ ET D'UTILISATION FIGURANT DANS CE MANUEL AVANT DE TENTER D'INSTALLER ET DE FAIRE FONCTIONNER VOTRE MACHINE.

TOUT MANQUEMENT À OBSERVER LES INSTRUCTIONS DE SÉCURITÉ ET D'UTILISATION PEUT PROVOQUER DES BLESSURES CORPORELLES GRAVES POUR L'UTILISATEUR ET D'AUTRES PERSONNES PRÉSENTES ET DES DÉGÂTS MATÉRIELS. LE TRIANGLE DANS LE TEXTE SIGNIFIE QUE DES MISES EN GARDES ET AVERTISSEMENT IMPORTANTS DOIVENT ÊTRE SUIVIS.

CONSIGNES GÉNÉRALES DE SÉCURITÉ

- Lire, comprendre et respecter toutes les instructions figurant sur la machine et dans le(s) manuel(s). Veiller à bien se familiariser avec les commandes et la bonne utilisation de la machine avant de la démarrer.
- Utiliser ce matériel exclusivement aux fins prévues.
- Veiller à se familiariser avec tous les autocollants de sécurité et d'exploitation apposés sur ce matériel et sur tous ses outils ou accessoires.
- Ne pas placer les mains ni les pieds sous ou à proximité d'une pièce en rotation.
- Permettre l'utilisation de la machine uniquement à des personnes responsables familiarisées avec les instructions. Ne pas laisser d'enfant utiliser cette machine. Ne pas laisser d'adulte utiliser cette machine sans instruction appropriée.
- Examiner avec soin la zone où la machine doit être utilisée et éliminer tous les objets étrangers. Ce matériel peut projeter violemment de petits objets et provoquer des dégâts matériels ou des blessures graves. Rester à l'écart des objets fragiles tels que les fenêtres de maison, automobiles, serres, etc.
- Porter une tenue adaptée, notamment un blouson ou une chemise à manches longues. Porter également un pantalon long. Ne pas porter de pantalon court. Ne jamais porter de sandales, chaussures de sport ni chaussures ouvertes et ne jamais utiliser la machine pieds nus.
- Ne pas porter de vêtements amples ni de bijoux. Ils peuvent être happés par les pièces en mouvement. Toujours tenir les mains, les pieds, les cheveux et les vêtements amples à l'écart de toute pièce en mouvement du moteur et de la machine.
- Toujours porter des lunettes à coques ou des lunettes de sécurité à écrans latéraux durant l'utilisation de la machine pour protéger les yeux des objets étrangers susceptibles d'être projetés par la machine. Toujours porter une protection auditive.
- Toujours porter des gants de travail et des chaussures robustes. Porter des chaussures offrant une bonne adhérence sur les surfaces glissantes. Les chaussures de chantier ou bottines en cuir conviennent généralement bien. Elles protègent les chevilles et les tibias de l'utilisateur contre les petits bouts de bois, échardes et autres débris.
- Il est conseillé de porter une protection de la tête contre les projections de terre et petits cailloux et pour éviter de heurter les branches basses et autres objets auxquels l'utilisateur n'aurait pas prêté attention.
- Ne pas utiliser la machine si tous les carters de protection et autres dispositifs de sécurité ne sont pas en place.
- Voir les instructions du fabricant concernant l'utilisation et la pose d'accessoires. Utiliser exclusivement des accessoires homologués par le fabricant.
- Travailler uniquement durant la journée ou sous une bonne lumière artificielle.
- Ne pas utiliser ce produit alors qu'on est fatigué ou sous l'emprise de l'alcool, de drogues ou de médicaments susceptibles de provoquer une somnolence ou d'altérer la capacité à utiliser la machine en toute sécurité.
- Ne jamais utiliser la machine dans de l'herbe mouillée. Veiller à toujours avoir le pied ferme; tenir fermement la poignée et marcher avec la machine; ne jamais courir.
- Prendre garde à la circulation lors de travaux à proximité d'une chaussée ou en traversant une rue.

- Si le matériel commence à vibrer de façon anormale, arrêter le moteur, mettre l'interrupteur MARCHE/ARRÊT en position **ARRÊT**. Rechercher immédiatement la cause. Les vibrations signalent généralement un problème. Si le bruit ou les vibrations de la machine augmentent, arrêter immédiatement et contrôler la machine.
- Ne jamais laisser la machine sans surveillance avec le moteur en marche. Mettre l'interrupteur MARCHE/ARRÊT en position **ARRÊT**.
- Inspecter régulièrement la machine. Vérifier qu'aucune pièce n'est déformée, endommagée ni desserrée.
- La température du silencieux et des zones avoisinantes peut dépasser 65 °C (150 °F). Laisser le silencieux et les surfaces du moteur refroidir avant de les toucher. Ne jamais soulever ni porter la machine avec le moteur en marche.
- L'exposition prolongée au bruit et aux vibrations produits par du matériel à moteur à essence doit être évitée. Faire des pauses intermittentes et/ou porter une protection auditive contre le bruit du moteur, ainsi que des gants de travail épais pour réduire les vibrations dans les mains.
- Maintenir tous les boulons, vis et écrous bien serrés.
- Ne pas transporter la machine d'un endroit à l'autre avec le moteur en marche.
- Toujours déplacer une machine emballée avec l'aide d'une autre personne.
- Consulter la réglementation en vigueur concernant les restrictions d'âge pour l'utilisation de cette machine.

Consignes de sécurité propres au produit

- Ne pas percer au-dessus de canalisations souterraines, notamment conduites d'eau, conduites de gaz, câbles électriques ou autres tuyaux. Ne pas utiliser la machine dans un sol contenant de grosses roches et autres objets étrangers susceptibles d'endommager le matériel.
- Après avoir heurté un objet étranger, arrêter le moteur. Mettre l'interrupteur MARCHE/ARRÊT en position **ARRÊT**. Contrôler l'état de la machine. En cas de dommages, réparer avant de démarrer et d'utiliser la machine.
- Les fraises du motoculteur ne doivent pas tourner lorsque le levier de commande d'entraînement est relâché en position neutre. Si elles tournent en position neutre, obtenir des instructions auprès du service après-vente Earthquake®.
- Si un objet s'est logé dans les fraises, mettre l'interrupteur MARCHE/ARRÊT en position **ARRÊT** et laisser refroidir avant de tenter de déloger l'objet étranger.
- Les poulies et courroies doivent être exemptes d'huile ou autre humidité pour fonctionner efficacement.
- Désengager tous les embrayages et laisser tous les leviers de commande en position neutre avant de démarrer le moteur.



AVERTISSEMENT

LES MOTEURS DÉGAGENT DU MONOXYDE DE CARBONE, UN GAZ TOXIQUE INODORE ET INCOLORE. DU MONOXYDE DE CARBONE PEUT ÊTRE PRÉSENT MÊME SI ON NE PEUT NI SENTIR NI VOIR DE GAZ D'ÉCHAPPEMENT DU MOTEUR. L'INHALATION DE MONOXYDE DE CARBONE PEUT PROVOQUER LA NAUSÉE, LA PERTE DE CONSCIENCE, VOIRE LA MORT, EN PLUS D'UN ÉTAT DE SOMNOLENCE, D'ÉTOURDISSEMENT ET DE CONFUSION.

EN PRÉSENCE DE L'UN DE CES SYMPTÔMES, SORTIR À L'AIR FRAIS ET OBTENIR IMMÉDIATEMENT DES SOINS MÉDICAUX.

MESURES DE PRÉCAUTIONS CONCERNANT LE MOTEUR

Si le produit est fourni avec manuel séparé pour le moteur, veiller à bien le lire et à suivre toutes les mises en garde et mesures de précaution qu'il contient, en plus de celles de ce manuel.

Pour éviter l'intoxication au monoxyde de carbone

- Toujours démarrer et faire tourner le moteur à l'extérieur. Ne pas démarrer ni faire tourner le moteur dans un espace fermé, même avec des portes ou des fenêtres ouvertes.
- Ne jamais essayer de ventiler l'échappement du moteur à l'intérieur. Le monoxyde de carbone peut atteindre des niveaux dangereux très rapidement.
- Ne jamais faire fonctionner le moteur à l'extérieur à un endroit où les gaz d'échappement peuvent être aspirés dans un bâtiment.
- Ne jamais faire fonctionner le moteur à l'extérieur dans un endroit mal aéré où les gaz d'échappement peuvent être piégés et difficiles à dissiper (exemples : fond de fouille ou aires de travail entourées de collines).
- Ne jamais faire fonctionner le moteur dans un endroit fermé ou partiellement fermé (exemples : bâtiments fermés sur un ou plusieurs côtés, sous une tente, abri à voiture ou sous-sol).
- Toujours faire fonctionner le moteur avec l'échappement et le silencieux pointés dans la direction opposée à l'utilisateur.
- Ne jamais diriger le silencieux d'échappement vers quiconque. Les personnes présentes doivent toujours se tenir à plusieurs mètres de distance du moteur en marche et de ses accessoires.
- Ne pas modifier les réglages du régulateur de moteur ni faire tourner le moteur en surrégime.

Feux d'essence et manipulation sécuritaire du carburant

Faire preuve d'extrême prudence lors de la manipulation de l'essence et de tout autre carburant. Ils sont inflammables et les vapeurs sont explosives.

- Veiller à bien entreposer la réserve de carburant dans un bidon approprié et à l'écart de tout risque d'incendie.
- Empêcher tout incendie ou explosion sous l'effet d'une décharge d'électricité statique. Utiliser exclusivement des bidons à carburant portables non métalliques homologués par Underwriter's Laboratory (U.L.) ou par l'American Society for Testing & Materials (ASTM).

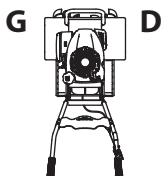
- Ne jamais ouvrir le bouchon du réservoir ni ajouter du carburant avec le moteur en marche. Arrêter le moteur et le laisser refroidir avant de refaire le plein.
- Ne pas fumer durant l'utilisation du moteur ou du produit.
- Ne jamais vidanger le carburant du moteur dans un endroit fermé.
- Toujours faire le plein du réservoir d'essence à l'extérieur, dans un endroit bien aéré. Ne jamais remplir le réservoir à l'intérieur (exemples : sous-sol, garage, grange, remise, maison, galerie, etc.). Ne jamais remplir le réservoir près d'appareils à veilleuse, réchauffeurs et autres sources d'inflammation. Si le réservoir doit être vidangé, le faire à l'extérieur. Le carburant vidangé doit être conservé dans un bidon spécifiquement conçu pour le carburant ou il doit être éliminé avec précaution.
- Toujours essuyer l'excédent (débordement) de carburant de la surface du moteur avant de démarrer. Nettoyer immédiatement tout carburant déversé par accident. En cas de déversement accidentel, ne pas démarrer le moteur mais éloigner le produit et le bidon de carburant. Nettoyer le carburant déversé et le laisser s'évaporer et sécher après avoir essuyé et avant de démarrer.
- Laisser les fumées/vapeurs de carburant s'échapper de la zone avant de démarrer le moteur.
- Vérifier que le bouchon du réservoir est correctement en place avant de démarrer le moteur.
- Toujours faire fonctionner le moteur avec le bouchon de réservoir correctement fermé.
- Ne jamais fumer en remplissant le réservoir de carburant du moteur.
- Ne pas entreposer le moteur à l'intérieur avec du carburant dans le réservoir. Le carburant et ses vapeurs sont très explosifs.

Préparation

- Porter une tenue adaptée à l'utilisation du motoculteur. Toujours porter des chaussures robustes. Ne jamais porter de sandales, de chaussures de sport ni de chaussures ouvertes et ne jamais utiliser le motoculteur pieds nus. Ne pas porter de vêtements amples susceptibles d'être happés dans les pièces en mouvement.
- Contrôler avec soin la surface à biner et éliminer tous les objets étrangers. Ne pas travailler le sol au-dessus de conduites d'eau, conduites de gaz, câbles électriques ou autres tuyauteries souterraines. Ne pas utiliser le motoculteur dans un sol contenant de grosses roches et autres objets étrangers susceptibles d'endommager le matériel.
- Désengager tous les embrayages et laisser tous les leviers de commande en position neutre avant de démarrer le moteur.
- Manipuler le carburant avec précaution, il est très inflammable.
 - a. Utiliser un bidon à carburant homologué.
 - b. Ne jamais refaire le plein de carburant avec le moteur en marche ou encore chaud.
 - c. Faire le plein du réservoir de carburant à l'extérieur avec beaucoup de précaution. Ne jamais refaire le plein de carburant à l'intérieur.
 - d. Bien remettre le bouchon d'essence en place et nettoyer tout déversement accidentel de carburant avant de redémarrer.

! AVERTISSEMENT

LES CÔTÉS DROIT ET GAUCHE DU MOTOCULTEUR SONT DÉFINIS À PARTIR DE LA POSITION DE CONDUITE ALORS QU'ON FAIT FACE À LA DIRECTION DE DÉPLACEMENT VERS L'AVANT.



LE MOTEUR EST EXPÉDIÉ DE L'USINE SANS HUILE. VEILLER À FAIRE LE PLEIN D'HUILE MOTEUR AVANT DE DÉMARRER LE MOTEUR.

! AVERTISSEMENT

LES GAZ CHAUDS SONT UN SOUS-PRODUIT NORMAL DE LA MARCHE D'UN MOTEUR À COMBUSTION INTERNE. SUIVRE TOUTES LES INSTRUCTIONS DE SÉCURITÉ POUR ÉVITER LES BRÛLURES ET LES INCENDIES.

NE PAS ALTÉRER/MODIFIER LE MOTEUR :

NE JAMAIS ALTÉRER NI MODIFIER LE MOTEUR TEL QU'IL EST LIVRÉ DE L'USINE. LA MODIFICATION OU L'ALTÉRATION DU MOTEUR PEUT ENTRAÎNER DES BLESSURES GRAVES OU LA MORT.

AVANT DE TRAVAILLER SUR LE MOTEUR OU LA MACHINE OU DE CHANGER DES PIÈCES, VEILLER À TOUJOURS METTRE L'INTERRUPTEUR MARCHÉ/ARRÊT EN POSITION ARRÊT.

- Si la machine commence à vibrer anormalement, arrêter le moteur et rechercher immédiatement la cause. Les vibrations signalent généralement un problème.
- Ne pas faire fonctionner le moteur à l'intérieur; les gaz d'échappement sont mortels.
- Ne pas forcer la machine au-delà de sa capacité en tentant de biner trop profondément à une vitesse d'avance trop rapide.
- Ne jamais utiliser le motoculteur si l'éclairage ou la visibilité sont insuffisants.
- Faire preuve de précaution lors de travail sur un sol dur. Les fraises peuvent accrocher le sol et propulser le motoculteur vers l'avant. Si cela se produit, lâcher les poignées et ne pas essayer de retenir la machine.
- Prendre toutes les mesures de précaution possibles si la machine est laissée sans surveillance. Débrayer le levier de commande, arrêter le moteur, attendre l'arrêt complet de toutes les pièces en mouvement et s'assurer que les écrans et carters de protection sont en place.
- Avant de quitter le poste de travail pour une quelconque raison:
 - arrêter le moteur.
 - attendre l'arrêt complet de toutes les pièces en mouvement.

ENTRETIEN ET ENTREPOSAGE

- Maintenir la machine, les outils et les accessoires en bon état de marche.
- Contrôler fréquemment le bon serrage des boulons de cisaillement, des boulons de fixation du moteur et des autres boutons pour s'assurer que le matériel est en bon état de marche.
- Pour éviter les démarrages accidentels, toujours débrancher le câble de bougie et l'attacher à l'écart de la bougie avant d'effectuer l'entretien du motoculteur.
- Ne jamais faire fonctionner le moteur à l'intérieur. Les gaz d'échappement sont mortels.
- Toujours laisser le silencieux refroidir avant de refaire le plein de carburant.
- Ne jamais entreposer la machine avec de l'essence dans le réservoir à l'intérieur d'un bâtiment fermé où les vapeurs peuvent atteindre une flamme nue ou une étincelle. Laisser le moteur refroidir avant de l'entreposer dans un quelconque bâtiment.
- Toujours se reporter aux instructions détaillées du manuel de l'utilisateur si le motoculteur doit être entreposé pendant une durée prolongée.

UTILISATION

- Ne pas utiliser le motoculteur alors qu'on est sous l'emprise d'alcool ou de drogue.
- Ne jamais utiliser le motoculteur sans tous ses capots, carters et protections en place.
- Tenir les mains, les pieds et les vêtements à l'écart des pièces en rotation. Se tenir en permanence à l'écart des fraises du motoculteur.
- Les fraises tournent lorsque le motoculteur est embrayé; les fraises tournent lorsque le levier de commande d'entraînement est poussé vers le bas. Les fraises s'arrêtent si le levier de commande d'entraînement est relâché et revient en position neutre.
- Faire preuve de beaucoup de précaution lors de l'utilisation sur ou à travers des allées, chemins ou routes en gravier. Prendre garde aux dangers cachés et à la circulation.
- Après avoir heurté un objet étranger, arrêter le moteur, débrancher le câble de la bougie, contrôler avec soin l'état du motoculteur et réparer tout dommage avant de redémarrer et d'utiliser le motoculteur.
- Si de la végétation se prend dans les fraises, arrêter le moteur et débrancher le câble de la bougie avant d'enlever la végétation à la main.

AUTOCOLLANTS DE SÉCURITÉ

Ce motoculteur est conçu et fabriqué pour offrir toute la sécurité et la fiabilité qu'on est en droit d'attendre d'un chef de file du marché de l'outillage motorisé pour travaux extérieurs.

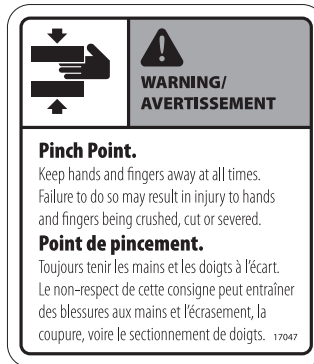
Bien que le présent manuel et les instructions de sécurité qu'il contient fournissent les connaissances de base nécessaires pour utiliser ce matériel efficacement et en toute sécurité, nous avons apposé plusieurs autocollants de sécurité sur le motoculteur pour rappeler certaines informations importantes à l'opérateur durant son utilisation.

Les illustrations ci-dessous ont pour objet de familiariser l'opérateur avec l'emplacement et le contenu de ces importants autocollants de sécurité, visibles durant les opérations normales de travail du sol. Veiller à les passer en revue maintenant et, en cas de doute concernant leur signification ou le respect de ces instructions, relire complètement les instructions de sécurité du manuel. Pour toute question, appeler le service après-vente Earthquake®.

N° réf. 17052
AVERTISSEMENT PIÈCES EN MOUVEMENT
Autocollant de bâti près de la courroie



N° réf. 17047
AVERTISSEMENT POINT DE PINCEMENT
Autocollant de support arrière



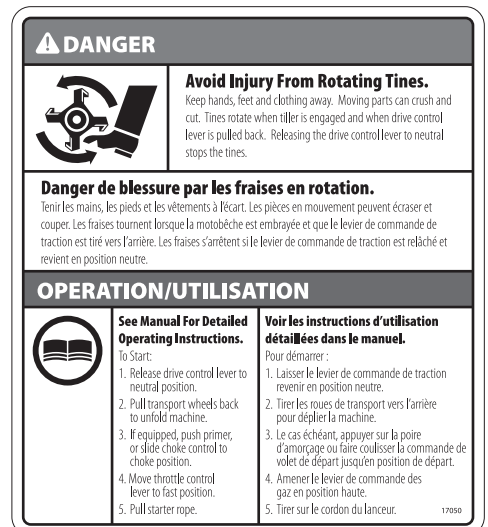
N° réf. 17920
POSE CORRECTE DES FRAISES



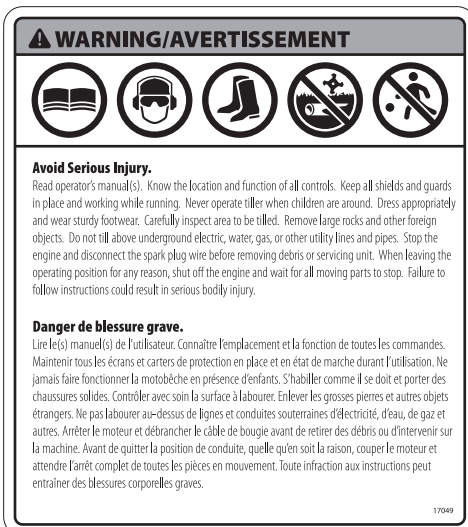
N° réf. 15698
PICTOGRAMME D'ENGAGEMENT DU LEVIER D'EMBRAYAGE
Guidon droit et levier de commande d'entraînement



N° réf. 17918
AUTOCOLLANT PLACER LA MAIN LIBRE ICI
Guidon gauche



N° réf. 17049
AVERTISSEMENT BLESSURES MULTIPLES
Autocollant de capot



N° réf. 17050
DANGER/UTILISATION DES FRAISES
Autocollant de capot

SYMBOLES DE SÉCURITÉ ET SIGNIFICATIONS



- A : Avertissement!
- B : Danger de blessure par les fraises en rotation.
- C : Lire le manuel de l'utilisateur avant d'utiliser la machine.
- D : Enlever les objets susceptibles d'être projetés par cette machine.
- E : Pièces en mouvement dangereuses.
- F : Prendre garde aux pièces en mouvement et en rotation.
- G : Porter en permanence une protection des yeux et des oreilles.
- H : Ne pas effectuer d'entretien ni de réglage de pièces en mouvement avant d'avoir coupé le moteur et débranché le câble de bougie.
- I : S'habiller comme il se doit et porter des chaussures solides.
- J : Vapeurs toxiques — Ne pas faire fonctionner dans des endroits non ventilés.
- K : Surfaces chaudes.
- L : Risques d'incendie.
- M : Ne pas utiliser durant des orages — En cas de fortes intempéries, arrêter la machine et se mettre à l'abri.
- N : Levage à plusieurs — Par mesure de sécurité, toujours soulever cette machine à deux personnes au moins.
- O : Ne pas labourer au-dessus de canalisations et tuyaux souterrains.
- P : Ne pas utiliser en présence d'enfants ou autres personnes.

CARACTÉRISTIQUES

L'avantage du **motoculteur à dents avant** et entraînement par engrenages **Earthquake® BADGER** par rapport aux autres motoculteurs est son support de roues et barre de trainée articulé exclusif à l'arrière. C'est ce qui confère au motoculteur sa stabilité et sa souplesse d'emploi. Pour le transport et les manœuvres serrées dans le jardin, garder les roues repliées sous le moteur. Durant l'utilisation normale, les roues se déplient vers l'arrière et la barre de trainée se déploie vers le bas. La grande longueur qui en résulte entre les fraises et la barre de trainée en font le motoculteur à dents avants le plus aisé à manœuvrer sur le marché. **VOIR FIGURE 1**

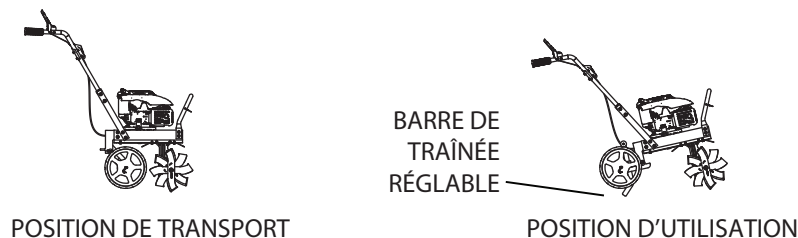
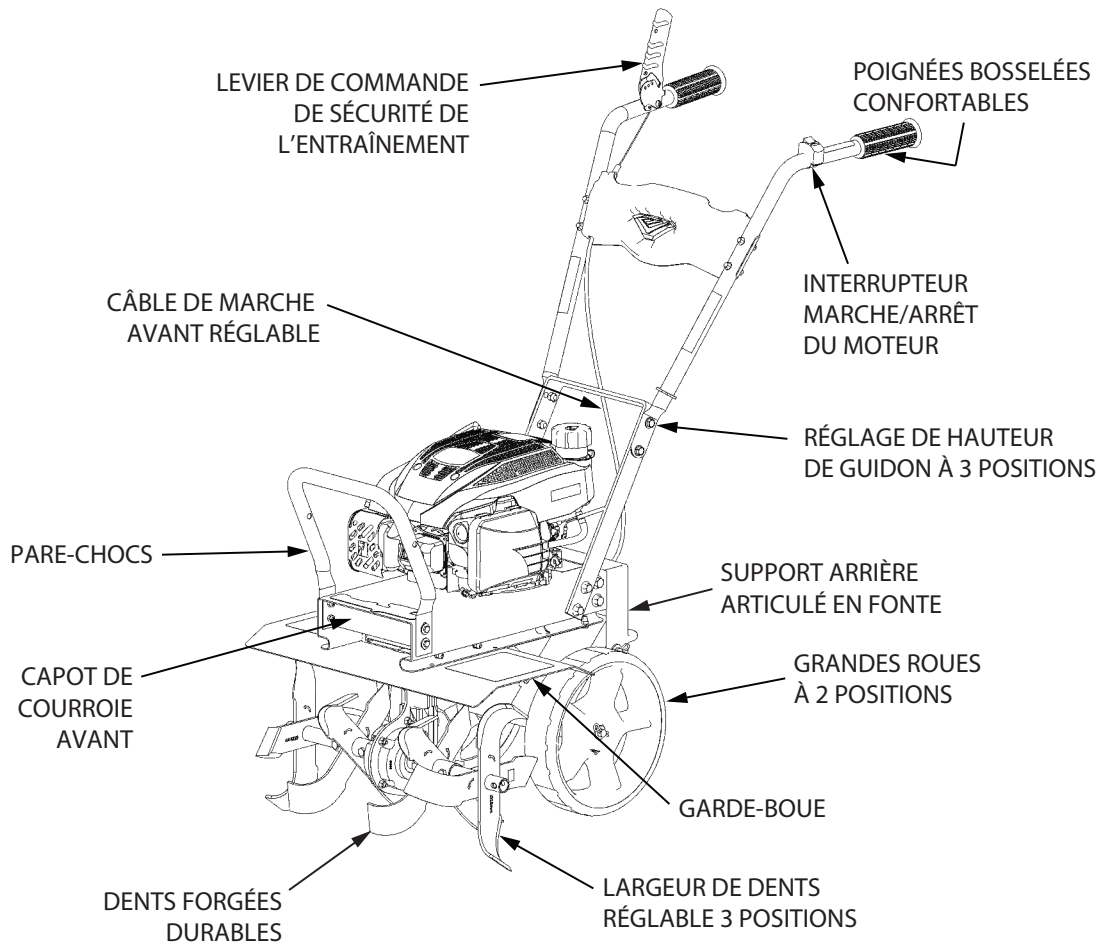


FIGURE 1

IMPORTANT

IL EST CONSEILLÉ D'ÊTRE À DEUX PERSONNES POUR ASSEMBLER LE MOTOCULTEUR. ASSEMBLER LE MOTOCULTEUR SEUL EST PLUS DIFFICILE ET ACCROÎT LE RISQUE DE BLESSURES.



ATTENTION

MANIPULER LE MOTOCULTEUR AVEC PRÉCAUTION. VEILLER À NE PAS ENDOMMAGER LE CÂBLE DE COMMANDE DES GAZ DURANT LE TRANSPORT OU L'UTILISATION.



AVERTISSEMENT

NE PAS SOULEVER LE MOTOCULTEUR HORS DU CARTON. LE MOTOCULTEUR EST LOURD ET PEUT PROVOQUER DES BLESSURES. DÉCOUPER LE CARTON POUR LE DÉGAGER DU MOTOCULTEUR ET ACCÉDER À LA MACHINE ET AUX PIÈCES.



AVERTISSEMENT

POUR ÉCARTER LES RISQUES DE BLESSURE GRAVE, TENIR LES MAINS ET LES PIEDS À L'ÉCART DU SUPPORT EN FONTE ARRIÈRE (VOIR FIGURE 2).

DÉBALLAGE ET ASSEMBLAGE

Contenu du carton d'emballage

- Motoculteur à dents avant
- Sachet de pièces (manuels et paquet de visserie d'assemblage)
- Boîte de pièces (fraises extérieures, axe de roues et barre de traînée)
- 2 roues
- Guidon
- Garde-boue
- Bidon d'huile 4 temps Viper®

Outillage nécessaire pour l'assemblage

- Couteau utilitaire ou universel
- 2 clés de 10 mm
- 2 clés de 13 mm

REMARQUE : Une clé à douille peut faciliter l'assemblage, mais n'est pas indispensable.

ASSEMBLAGE

- Ouvrir le haut du carton et sortir le guidon, les roues, le sachet de pièces, le garde-boue et le bidon d'huile.
 - Le paquet de pièces contient :
 - 4 - Vis M8 x 1,25 x 20 mm
 - 2 - Goupille en épingle dia. 2,5 x 35 mm
 - 1 - Goupille d'arrêt 8 x 40 mm
 - 4 - Rondelles M8 x 24 x 2,0 mm
 - 2 - Vis M8 x 1,25 x 45 mm
 - 6 - Écrou M8 autobloquant
 - 2 - Rondelle 12 mm
 - 4 - Vis M6 x 1,0 x 16 mm
 - 4 - Écrou M6 autobloquant
 - 1 - Assemblage de la poignée de barre de traînée (comprend un boulon et un écrou M6)

REMARQUE : L'insert en plastique des écrous autobloquants doit être du côté opposé à la tête de vis lors de l'assemblage. **VOIR FIGURE 8**

- Couper les quatre angles du carton pour l'étaler à plat sur le sol.
- Extraire la boîte de pièces et sortir son contenu.
- Monter l'axe de roues sur le support arrière inférieur. Poser les roues aux deux extrémités de l'axe; poser une rondelle de 12 mm sur l'axe contre chaque roue; insérer des goupilles en épingle dans les trous de l'axe pour tenir les rondelles et les roues en place. **VOIR FIGURE 3**

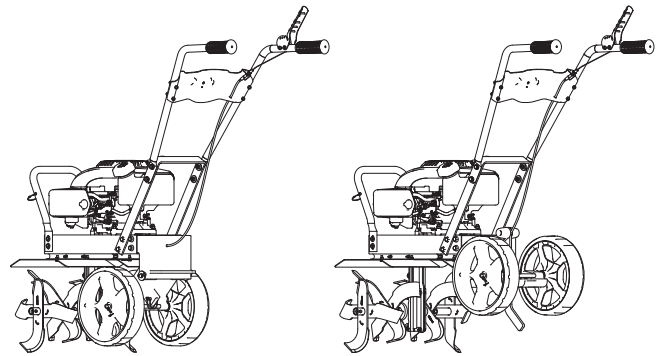


FIGURE 2

Le support en fonte arrière permet de mettre le motoculteur dans deux positions différentes : de travail et de transport. Lors du passage de la position de travail à la position de transport, ou vice versa, prendre garde à l'interstice entre les supports arrière supérieur et inférieur pour éviter tout risque de pincement.

- Monter le garde-boue avec six (6) vis M6 et six (6) écrous autobloquants M6. Aligner les trous oblongs des deux côtés du garde-boue et mettre l'ensemble des vis et écrous en place avec de serrer à fond. **VOIR FIGURE 4**

REMARQUE : Le bouclier inférieur se place entre le bâti-moteur et le garde-boue.

- Monter les fraises sur la machine.
 - Monter les fraises extérieures avec deux vis M8 et deux écrous autobloquants M8. La flèche sur les fraises doit pointer dans le sens de rotation en marche avant.
 - Les fraises extérieures ont deux positions possibles : large 53 cm (21 po) et étroite 41 cm (16 po). Pour obtenir la configuration étroite, assembler en plaçant le côté court du tube porte-fraise vers le milieu de la machine. **VOIR FIGURE 5**
 - Pour obtenir la configuration large, mettre la fraise gauche sur le côté droit et la fraise droite sur le côté gauche. Placer le côté long du tube de fraise vers l'intérieur de la machine, en s'assurant que la flèche sur la fraise pointe dans le sens de rotation en marche avant. **VOIR FIGURE 6**

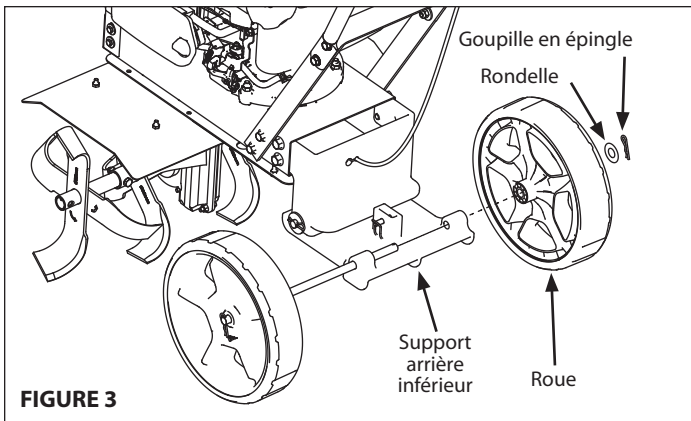


FIGURE 3

7. a. Monter la partie supérieure du guidon sur l'arceau de fixation inférieur avec quatre vis M8, quatre rondelles plates M8 et quatre écrous autobloquants M8. Les branches de guidon et les vis se placent sur l'extérieur de l'arceau inférieur, alors que les rondelles et les écrous se placent sur l'intérieur. **VOIR FIGURES 7 ET 8**
- b. Les deux vis supérieures peuvent être montées à travers l'un des trois trous au choix en fonction de la hauteur de guidon souhaitée (bas, moyen, haut). Pour la position haute, insérer la vis dans le trou le plus avant. Pour la position basse, insérer la vis dans le trou le plus arrière. **VOIR FIGURE 7**
8. Enfiler le régulateur de profondeur (ou barre de traînée) par le dessous de l'ouverture du support arrière inférieur et l'attacher avec une goupille d'arrêt. Assembler la poignée de la barre de traînée en utilisant le boulon et l'écrou M6. **VOIR FIGURE 9**

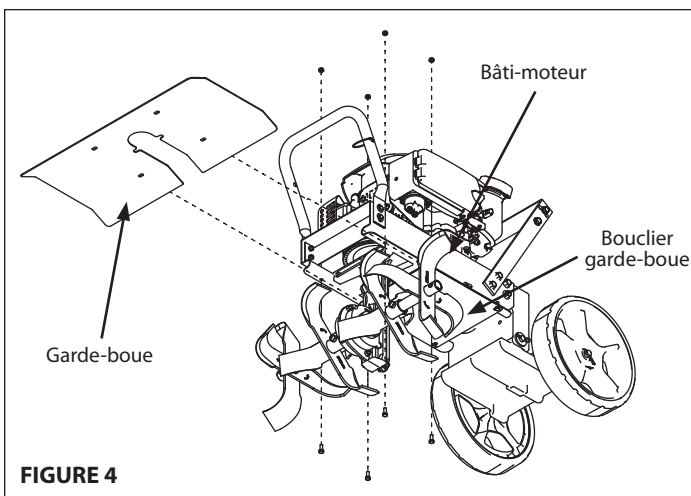


FIGURE 4

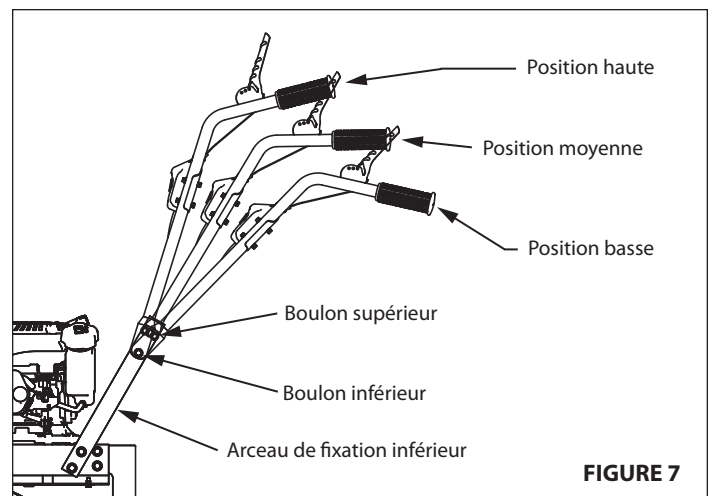


FIGURE 7

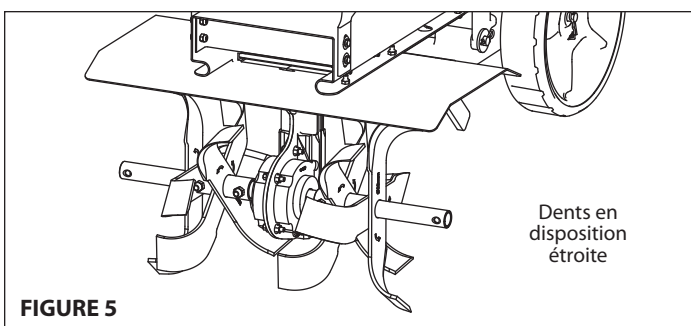


FIGURE 5

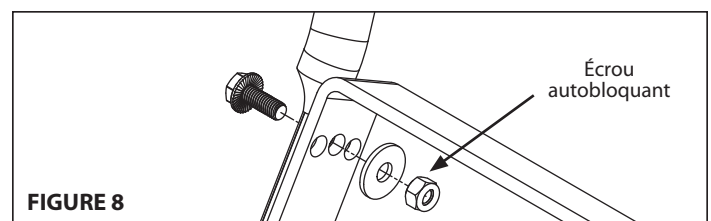


FIGURE 8

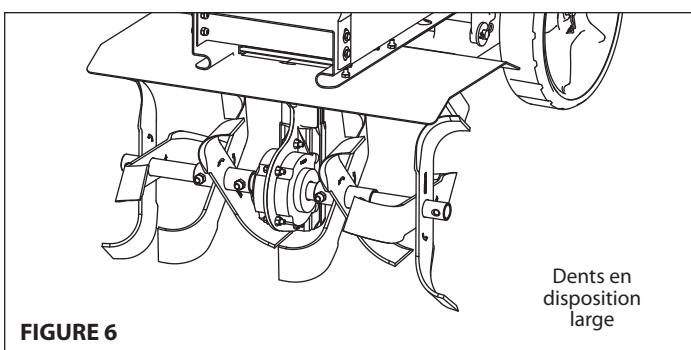


FIGURE 6

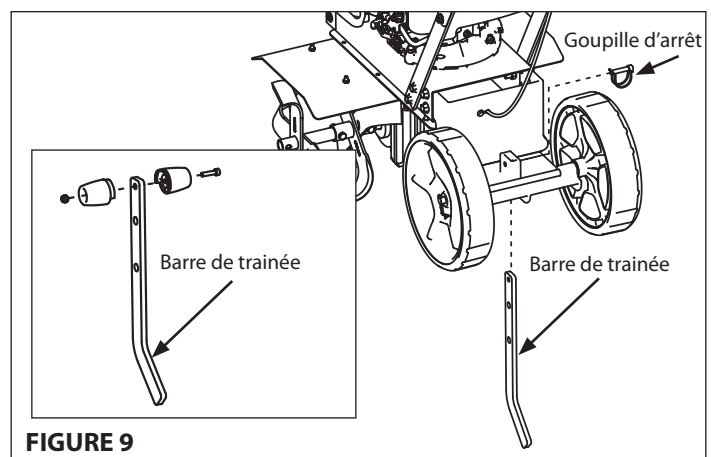
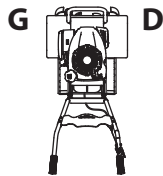


FIGURE 9

⚠ AVERTISSEMENT

LES CÔTÉS DROIT ET GAUCHE DU MOTOCULTEUR SONT DÉFINIS À PARTIR DE LA POSITION DE CONDUITE ALORS QU'ON FAIT FACE À LA DIRECTION DE DÉPLACEMENT VERS L'AVANT.



LE MOTEUR EST EXPÉDIÉ DE L'USINE SANS HUILE. VEILLER À FAIRE LE PLEIN D'HUILE MOTEUR AVANT DE DÉMARRER LE MOTEUR.

Remplir le carter d'huile du moteur

1. Verser l'huile comme indiqué dans le manuel du moteur. Ne pas trop remplir. Utiliser une huile détergente propre de bonne qualité. N'utiliser aucun additif spécial avec les huiles recommandées. Ne pas mélanger l'huile avec de l'essence. Le niveau d'huile doit être au maximum. Vérifier le niveau d'huile à l'aide de la jauge d'huile si le moteur en est équipé ou en ouvrant le bouchon de remplissage d'huile. Le niveau d'huile doit atteindre le bas de l'ouverture du bouchon d'huile.
2. Toujours vérifier le niveau d'huile avant de démarrer le moteur. Voir la capacité et le type d'huile à utiliser dans le manuel du moteur.

SYMBOLES DE COMMANDE ET DE FONCTIONNEMENT

La **FIGURE 10** montre les symboles de commande et de fonctionnement les plus courants pouvant se trouver sur la machine ou dans ce manuel. Avant d'utiliser la machine, veiller à apprendre et à comprendre la signification de chaque symbole.

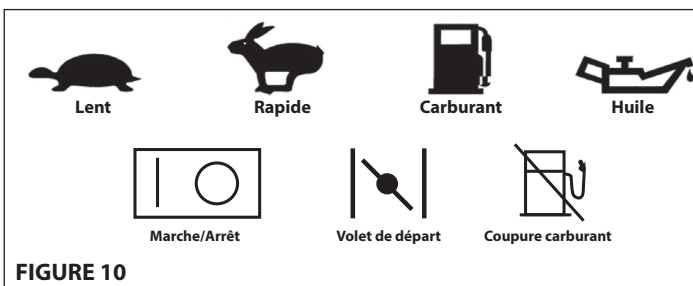


FIGURE 10

COMMANDES

Levier de commande d'entraînement de sécurité

Pousser le levier de commande d'entraînement vers le bas pour embrayer les fraises. Relâcher le levier de commande d'entraînement pour débrayer les fraises et revenir en position neutre.

Réglage de tension de la courroie

Une courroie bien tendue est essentielle au bon fonctionnement. Au bout de 30 minutes d'utilisation, il peut être nécessaire d'ajuster tous les câbles en raison de leur étirement initial. Par la suite, vérifier la tension toutes les deux heures d'utilisation.

⚠ AVERTISSEMENT

CETTE INFORMATION EST FOURNIE UNIQUEMENT POUR PRÉSENTER LES COMMANDES. NE PAS DÉMARRER LE MOTEUR MAINTENANT. LES INSTRUCTIONS DE DÉMARRAGE ET D'UTILISATION FIGURENT DANS CE MANUEL. VEILLER À LIRE CETTE SECTION ET TOUTES LES INSTRUCTIONS D'UTILISATION ET CONSIGNES DE SÉCURITÉ AVANT DE DÉMARRER LE MOTOCULTEUR.

- PAR MESURE DE SÉCURITÉ, LE LEVIER DE COMMANDE D'ENTRAÎNEMENT DE SÉCURITÉ NE PEUT PAS ÊTRE BLOQUÉ EN POSITION DE MARCHÉ.
- POUR ARRÊTER LES FRAISES À TOUT MOMENT, RELÂCHER LE LEVIER DE COMMANDE D'ENTRAÎNEMENT.
- LE MOTEUR DOIT ÊTRE À L'ARRÊT AVANT D'EFFECTUER TOUT RÉGLAGE DES COMMANDES.
- NE PAS AJUSTER LA PROFONDEUR DE LABOURAGE SI LE LEVIER DE COMMANDE D'ENTRAÎNEMENT N'EST PAS RELÂCHÉ EN POSITION NEUTRE.

1. Pour augmenter la tension de la courroie, desserrer le contre-écrou supérieur par intervalles de 3 mm (1/8 po) tout en tenant l'écrou inférieur en place.

VOIR FIGURE 11

2. Vérifier le réglage; voir les instructions à la section « Vérifier la tension de la courroie ».

Cette procédure peut être répétée jusqu'au bout de la vis tubulaire de réglage. Si plus aucun ajustement supplémentaire n'est possible, il peut être nécessaire de changer la courroie.

Barre de traînée de régulation de profondeur

Pour régler la profondeur de labourage :

1. Retirer la goupille d'arrêt.
2. Relever ou abaisser le régulateur de profondeur. Plus le régulateur de profondeur est bas et plus le labourage est profond.
3. Aligner le trou souhaité du levier de régulateur de profondeur et celui du support de régulateur de profondeur et remettre la goupille d'arrêt en place.

VOIR FIGURE 9 (page 37)

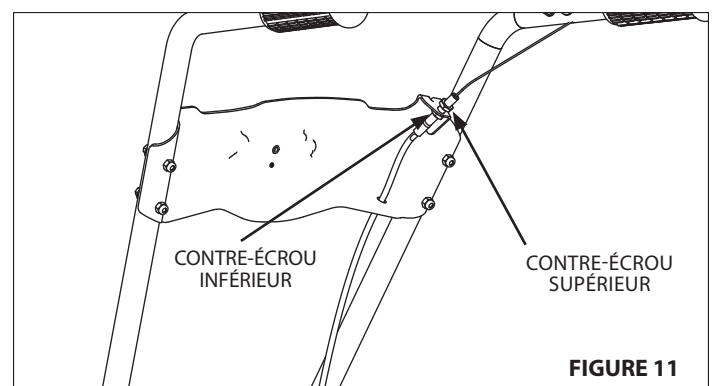


FIGURE 11

 **DANGER**

NE PAS DÉMARRER LE MOTOCULTEUR AVANT D'AVOIR LU ET COMPRIS CE MANUEL ET LES SECTIONS DU MANUEL CONCERNANT SA SÉCURITÉ ET SON FONCTIONNEMENT.

TOUJOURS EFFECTUER LA LISTE DE VÉRIFICATIONS PRÉALABLES AU DÉMARRAGE AVANT DE DÉMARRER LE MOTEUR.

S'ENTRAÎNER À UTILISER LES COMMANDES ET LE MOTOCULTEUR AVEC LES FRAISES HORS DU SOL AVANT DE COMMENCER À LABOURER. IL EST IMPORTANT DE SAVOIR COMMENT UTILISER LE MOTOCULTEUR CORRECTEMENT : GARDER LE CONTRÔLE EN PERMANENCE, INTERROMPRE LA ROTATION DES FRAISES ET ARRÊTER LE MOTEUR EN CAS DE BESOIN. LE CAS ÉCHÉANT, POUR SAVOIR COMMENT EFFECTUER CES MANŒUVRES, LIRE LES SECTIONS CONCERNANT LES COMMANDES ET LA SÉCURITÉ AVANT DE POURSUIVRE.

TOUJOURS GARDER LE CONTRÔLE DU MOTOCULTEUR. UTILISER LE MOTOCULTEUR SI LES CONDITIONS DU SOL PERMETTENT DE GARDER LE CONTRÔLE DU MOTOCULTEUR. NE PAS UTILISER LE MOTOCULTEUR DANS DES SOLS QUI CONTIENNENT DES ROCHES, DES OBJETS ÉTRANGERS OU TOUTE AUTRE MATIÈRE QUE DE LA TERRE. EN CAS DE HEURTS, SECOUSSES OU SOUBRESSAITS DU MOTOCULTEUR, RELÂCHER LE GUIDON ET LE LEVIER DE COMMANDE D'ENTRAÎNEMENT POUR METTRE LES FRAISES À L'ARRÊT.

FAIRE PREUVE DE PRÉCAUTION POUR CHOISIR LA PROFONDEUR DE LABOURAGE. UNE PERTE DE CONTRÔLE EST POSSIBLE SI ON ESSAYE DE LABOURER CERTAINS SOLS AVEC LA BARRE DE TRAÎNÉE RÉGLÉE EN POSITION TROP HAUTE.

ARRÊTER LE MOTEUR ET DÉBRANCHER LE CÂBLE DE LA BOUGIE AVANT DE DÉGAGER TOUT MATÉRIAU DES FRAISES À LA MAIN OU PAR TOUTE AUTRE MÉTHODE.

LE MOTEUR ET LES PIÈCES QUI L'ENTOURENT DEVIENNENT TRÈS CHAUDS DURANT LA MARCHE DU MOTEUR. LA TEMPÉRATURE DU SILENCIEUX ET DES SURFACES AVOISINANTES PEUT DÉPASSER 66 °C (150 °F). ÉVITER DE TOUCHER CES SURFACES. LAISSER LE MOTEUR REFROIDIR COMPLÈTEMENT AVANT DE TOUCHER CES SURFACES CHAUDES. CES SURFACES PROVOQUERAIENT DES BRÛLURES GRAVES EN CAS DE CONTACT AVANT QUE LE MOTEUR AIT REFROIDI.

TOUJOURS TENIR LES MAINS ET LES PIEDS À L'ÉCART DES PIÈCES DE LA MACHINE EN ROTATION.

 **ATTENTION**

NE PAS UTILISER LE VOLET DE DÉPART POUR ARRÊTER LE MOTEUR. CELA PEUT PROVOQUER DES RATÉS ET ENDOMMAGER LE MOTEUR!

POUR ARRÊTER LE MOTEUR À TOUT MOMENT, AMENER LA COMMANDE DES GAZ EN POSITION D'ARRÊT OU METTRE L'INTERRUPTEUR MARCHÉ/ARRÊT SUR ARRÊT.

TOUJOURS LAISSER LE LEVIER DE COMMANDE D'ENTRAÎNEMENT REVENIR EN POSITION NEUTRE AVANT DE RÉGLER LA PROFONDEUR DE LA BARRE DE TRAÎNÉE.

LE MOTEUR EST EXPÉDIÉ DE L'USINE SANS HUILE. VEILLER À FAIRE LE PLEIN D'HUILE MOTEUR AVANT DE DÉMARRER LE MOTEUR.

**AVERTISSEMENT**

L'ESSENCE EST TRÈS INFLAMMABLE ET DOIT ÊTRE MANIPULÉE AVEC PRÉCAUTION. NE JAMAIS REMPLIR LE RÉSERVOIR LORSQUE LE MOTEUR EST CHAUD OU QU'IL TOURNE. TOUJOURS FAIRE LE PLEIN DU RÉSERVOIR À L'EXTÉRIEUR.

UTILISATION**Contrôle avant démarrage**

1. S'assurer que toutes les protections sont en place et que toute la visserie est bien serrée.
REMARQUE : Il est conseillé de vérifier le serrage de toute la visserie (écrous, vis, etc.) avant chaque utilisation. Les vibrations de la machine peuvent les desserrer.
2. Vérifier le niveau d'huile dans le carter du moteur. Voir les instructions et les caractéristiques dans le manuel du moteur.
3. Vérifier la propreté de l'épurateur d'air. Voir les instructions dans le manuel du moteur.
4. Vérifier le niveau d'essence. Remplir le réservoir d'essence à pas moins de 2,5 cm (1 po) du dessus du réservoir pour permettre la dilatation. Voir les recommandations concernant l'essence dans le manuel du moteur.
5. Vérifier que le câble de bougie est attaché et que la bougie est fermement serrée.
6. Vérifier la position des roues.
7. Vérifier la position de la barre de trainée de régulation de profondeur.
8. Examiner le dessous et le pourtour du moteur pour vérifier l'absence de fuites d'essence ou d'huile.
9. Contrôler le bon serrage et l'étanchéité des tuyaux de carburant.
10. Vérifier l'absence d'indications de dommages du moteur.
11. Éliminer les déchets excessifs de la zone du silencieux et du lanceur.
12. Mettre le robinet d'arrêt d'essence en position **OUVERTE** si le moteur en est équipé.

DÉMARRAGE

Le manuel du constructeur du moteur fourni avec le motoculteur contient une description du fonctionnement du moteur et toutes les instructions et mesures de précaution qui le concernent.

Mise à l'arrêt

Pour arrêter le moteur à tout moment, mettre l'interrupteur MARCHE/ARRÊT en position **ARRÊT**. Pour arrêter les fraises à tout moment, laisser la commande d'entraînement revenir en position neutre.

Labourage

1. Régler la barre de trainée du régulateur de profondeur de façon à obtenir la profondeur de labourage souhaitée.

REMARQUE : Relever le levier régulateur de profondeur un trou à la fois et faire un essai du motoculteur après chaque ajustement. Un réglage trop haut du régulateur de profondeur peut faire perdre le contrôle du motoculteur!

2. Pour mettre le motoculteur en mouvement, pousser le levier de commande d'entraînement vers le bas de façon à embrayer les fraises.

ENTRETIEN

Calendrier d'entretien

Ce motoculteur a été conçu et produit par le chef de file des équipements à moteur de plein air pour vous offrir des années de fonctionnement fiable. Le maintien du motoculteur en parfait état de marche permet d'étendre sa durée de service et d'obtenir un rendement optimal. Veiller à lire ce calendrier d'entretien et prendre note des intervalles de fonctionnement recommandés entre les opérations d'entretien afin d'étendre la durée de service de la machine.

Opération d'entretien	Page	Avant chaque utilisation	50 heures ou chaque saison
Vérifier la tension de la courroie	33	X	
Changer la courroie d'embrayage	33		X
Entretien du moteur	34, MM	X	X
Vérifier le niveau d'huile/changer l'huile	34, MM	X	1
Nettoyer l'arbre de fraises	34	X	X
Lubrification	34		X

MM = Voir le manuel du moteur

1 = Changer l'huile après les premières cinq à huit heures d'utilisation, puis toutes les 50 heures ou chaque saison par la suite. Changer l'huile toutes les 25 heures en cas d'utilisation sous forte charge ou à des températures élevées.

ENTRETIEN DU MOTOCULTEUR

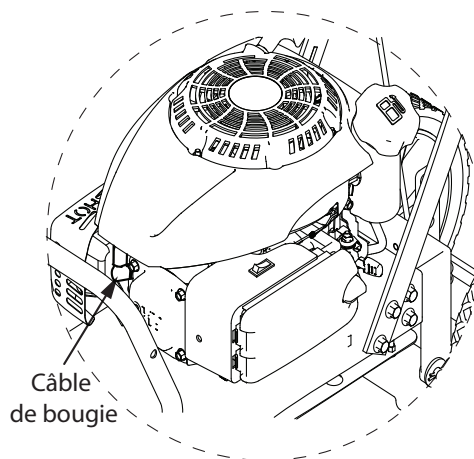
L'information ci-dessous couvre les contrôles nécessaires et les opérations à effectuer pour respecter les conseils d'entretien normal du motoculteur.

Le cas échéant, ces contrôles et opérations nécessaires peuvent être confiés au concessionnaire agréé local.

Important : Utiliser exclusivement des pièces de rechange Earthquake® homologuées.

AVERTISSEMENT

ÉVITER LES DÉMARRAGES ACCIDENTELS.



ARRÊTER LE MOTEUR, LE LAISSER REFROIDIR PUIS DÉBRANCHER LE CÂBLE DE LA BOUGIE ET L'ATTACHER AVANT TOUT CONTRÔLE OU RÉGLAGE DU MOTEUR OU DE LA MACHINE. LE DÉMARRAGE ACCIDENTEL DU MOTEUR PEUT PROVOQUER DES BLESSURES GRAVES.

ENTRETIEN DE LA COURROIE

Vérifier la tension de la courroie

La courroie peut se détendre avec le temps. Il peut être nécessaire de la retendre dans la première demi-heure d'utilisation et de la vérifier toutes les deux heures d'utilisation par la suite. Un bon réglage garantira une longue durée de service de la courroie. Une tension excessive ou insuffisante entraînerait une défaillance prématurée de la courroie.

Si un ronflement constant est audible lorsque le levier d'embrayage est serré (voir page 44) ou un sifflement persistant lorsque la machine est embrayée et en charge, cela indique qu'il peut être nécessaire de régler la courroie.

REMARQUE : Un court ronflement peut être audible lorsqu'on relâche le levier de commande d'embrayage. C'est un bruit normal provoqué par les dents de la courroie crantée lorsqu'elles accrochent le guide-courroie métallique, ce qui interrompt la rotation de la courroie. Cela ne signifie pas que la tension de courroie doit être ajustée.

Pour vérifier et ajuster la tension de la courroie :

1. Arrêter le moteur. Le moteur doit être froid.
2. Débrancher le câble de la bougie et l'attacher à l'écart.
3. Le levier de commande de sécurité de l'entraînement étant en position neutre, mesurer la longueur du ressort à son état de repos.
4. Abaisser le levier de commande de sécurité de l'entraînement et mesurer la longueur du ressort à l'état allongé. La longueur idéale est de 6 mm (1/4 po). **VOIR FIGURE 13**
5. Pour le réglage, **VOIR LA FIGURE 11** et les Instructions sur le réglage de la tension de la courroie.

Changer la courroie

1. Arrêter le moteur. Le moteur doit être froid.
2. Débrancher le câble de la bougie et l'attacher à l'écart.
3. Retirer le capot de courroie avant et le bouclier inférieur du châssis du motoculteur. **VOIR FIGURE 14**
 - a. Retirer la courroie de la poulie du moteur comme suit :
 - Tirer lentement sur le cordon du lanceur pour faire tourner la poulie.
 - Durant la rotation de la poulie, forcer la courroie hors de la gorge.
 - Glisser la courroie hors de la poulie du moteur.
 - Tirer la courroie vers le bas et la dégager.
 - Pousser la courroie vers l'avant et la sortir par l'avant de la machine.
 - b. Poser la courroie neuve comme suit :
 - Placer la courroie dans la gorge de la poulie du réducteur.
 - Tirer lentement sur le cordon de lanceur pour faire tourner la poulie tout en poussant la courroie de force dans la gorge trapézoïdale.
4. Remonter le capot de courroie avant et le bouclier inférieur sur le châssis du motoculteur.
5. Vérifier et réajuster la tension de courroie s'il y a lieu.
6. Rebrancher le câble de bougie.

IMPORTANT

VÉRIFIER RÉGULIÈREMENT LA TENSION DE LA COURROIE. UNE TENSION EXCESSIVE OU INSUFFISANTE ENTRAÎNERAIT UNE DÉFAILLANCE UNE DÉFAILLANCE PRÉMATURÉE DE LA COURROIE ET DES DOMMAGES À LA MACHINE.

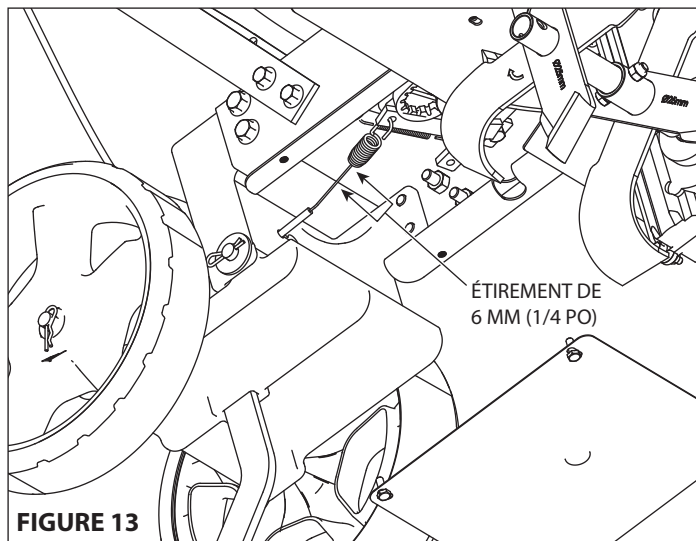


FIGURE 13

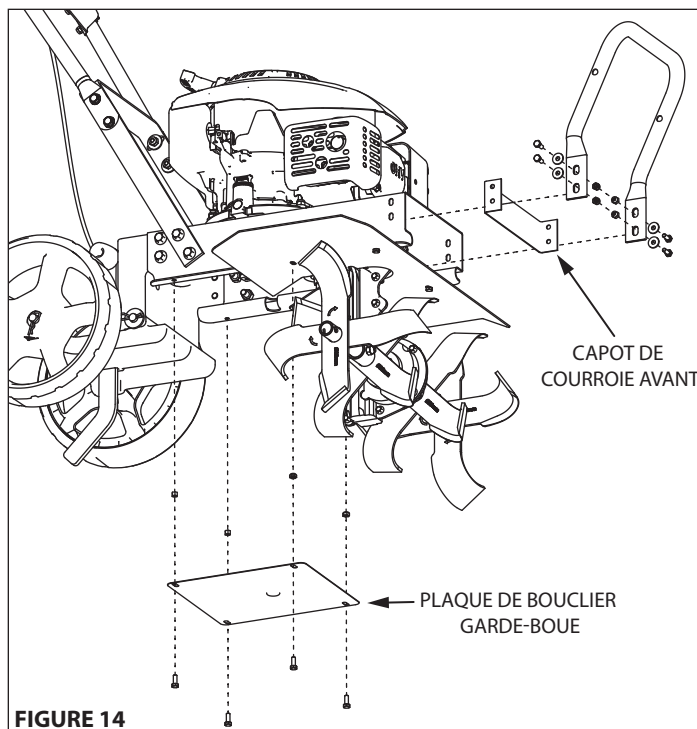


FIGURE 14

RÉF. COURROIE DE RECHANGE : 22633

ENTRETIEN DU MOTEUR

Voir l'information sur l'entretien du moteur dans le manuel du moteur inclus dans le sachet de pièces. Le manuel du moteur fournit des instructions et un calendrier d'entretien pour l'exécution des tâches suivantes :

1. Vérifier le niveau d'huile avant chaque utilisation et toutes les huit heures de fonctionnement.
2. Changer l'huile au bout des premières cinq à huit heures d'utilisation.
3. Changer l'huile alors que le moteur est chaud. Refaire le plein avec une huile neuve de grade recommandé.
4. Contrôler la bougie chaque année ou toutes les 100 heures d'utilisation.
5. Effectuer l'entretien de l'épurateur d'air.
6. Maintenir la propreté du moteur et des pièces.
7. Contrôler le serrage de toute la visserie du moteur et de la machine souvent et la maintenir bien serrée.

Vérifier ou compléter le niveau d'huile moteur

1. Verser l'huile comme indiqué dans le manuel du moteur. Ne pas trop remplir. Utiliser une huile moteur 4 temps propre et de bonne qualité. N'utiliser aucun additif spécial avec les huiles recommandées. Ne pas mélanger l'huile avec de l'essence. Le niveau d'huile doit être au maximum. Vérifier le niveau d'huile à l'aide de la jauge d'huile du moteur.
2. Toujours vérifier le niveau d'huile avant de démarrer le moteur. Voir la capacité et le type d'huile à utiliser dans le manuel du moteur.

Nettoyer l'arbre de fraises

1. Arrêter le moteur. Le moteur doit être froid.
2. Débrancher le câble de bougie et l'attacher à l'écart de la bougie.
3. Éliminer toute végétation, ficelle, fil de fer et autres matières qui peuvent s'être accumulées sur l'arbre entre les fraises intérieures et le joint du boîtier de réducteur.
4. Rebrancher le câble de bougie.

Lubrification

La bonne lubrification des pièces mécaniques en mouvement est une partie essentielle de l'entretien et la maintenance. Lubrifier les pièces en mouvement avec une huile de viscosité 30.

ATTENTION

LE MOTEUR EST EXPÉDIÉ DE L'USINE SANS HUILE. VEILLER À FAIRE LE PLEIN D'HUILE MOTEUR AVANT DE DÉMARRER LE MOTEUR.

LE MOTEUR PEUT SURCHAUFFER ET ÊTRE ENDOMMAGÉ SI DES DÉBRIS OBSTRUENT LE CIRCUIT DE REFROIDISSEMENT OU LE TAMIS TOURNANT.

NE JAMAIS FAIRE FONCTIONNER LE MOTEUR SANS L'ÉPURATEUR D'AIR COMPLET INSTALLÉ SUR LE MOTEUR.

TOUT MANQUEMENT À RESPECTER CES INSTRUCTIONS PEUT PROVOQUER DES DOMMAGES AU MOTEUR ET INVALIDER LA GARANTIE.

ENTREPOSAGE

Préparer pour l'entreposage

Suivre les étapes ci-dessous pour préparer le motoculteur pour l'entreposage. Voir les instructions détaillées de préparation du moteur pour l'entreposage dans le manuel du moteur.

1. Protéger les roues et les axes contre la rouille :
 - Enduire légèrement l'axe d'une graisse pour essieu.
2. Vidanger complètement le circuit de carburant conformément aux instructions du fabricant du moteur ou ajouter du stabilisateur de carburant pour empêcher l'essence d'encrasser le carburateur durant un entreposage prolongé. Faire tourner le moteur pendant au moins 5 minutes pour répartir le mélange stabilisateur de carburant dans l'ensemble du circuit d'alimentation.
3. Alors que le moteur est encore chaud, vidanger l'huile du moteur. Refaire le plein avec une huile fraîche recommandée dans le manuel du moteur.
4. Nettoyer les surfaces externes, le moteur et le ventilateur de refroidissement.
5. Retirer la bougie; verser 30 ml (1 oz) d'huile SAE 30 dans l'orifice de la bougie.
6. Boucher l'orifice et tirer le cordon du lanceur lentement afin de répartir l'huile uniformément dans le cylindre et la culasse.
7. Remettre la bougie en place.
8. Amener la machine dans un lieu d'entreposage qui convient. Si le circuit de carburant n'est pas vidangé et qu'un stabilisateur de carburant est utilisé, veiller à suivre toutes les instructions de sécurité et précautions concernant l'entreposage figurant dans ce manuel afin d'écartier tout risque d'incendie par inflammation des vapeurs d'essence. Garder à l'esprit que les vapeurs d'essence peuvent se propager jusqu'à des sources éloignées d'inflammation et s'enflammer, créant un danger d'explosion et d'incendie.
9. S'il y a le moindre risque d'utilisation non autorisée ou d'effraction, retirer la bougie et la conserver dans un endroit sûr avant d'entreposer la machine. Veiller à boucher l'orifice de bougie afin d'éviter toute pénétration de matières étrangères.

AVERTISSEMENT

FAIRE PREUVE DE PRUDENCE EN PERMANENCE. LE MOTEUR DOIT ÊTRE À L'ARRÊT ET FROID ET LE CÂBLE DE BOUGIE DOIT ÊTRE DÉBRANCHÉ ET ATTACHÉ À L'ÉCART AVANT TOUTE TENTATIVE D'ENTRETIEN ET DE RÉPARATION.

TOUTE INFRACTION À CES MESURES DE SÉCURITÉ PEUT ENTRAÎNER DES BLESSURES CORPORELLES GRAVES POUR L'OPÉRATEUR OU D'AUTRES PERSONNES PRÉSENTES.

NE PAS ENTREPOSER LE MOTOCULTEUR DANS UN ENDROIT NON AÉRÉ OÙ LES VAPEURS DE CARBURANT PEUVENT ATTEINDRE UNE FLAMME, DES ÉTINCELLES, UNE VEILLEUSE OU UN OBJET QUI BRÛLE. VIDANGER LE CARBURANT À L'EXTÉRIEUR À L'ÉCART DE TOUTE SOURCE D'INFLAMMATION. UTILISER UNIQUEMENT DES BIDONS À CARBURANT HOMOLOGUÉS.

DÉPANNAGE ET RÉPARATION

Guide de dépannage

Si un soin normal et un entretien régulier contribueront à étendre la durée de service du motoculteur, une utilisation intensive ou constante peut finir par nécessiter des réparations pour lui permettre de continuer à fonctionner correctement. Le guide de dépannage ci-dessous présente les problèmes les plus courants, leurs causes et leurs solutions.

PROBLÈME	SOLUTION/MESURE CORRECTIVE
Le moteur ne démarre pas	<ul style="list-style-type: none"> • Mettre de l'essence dans le réservoir d'essence. • Brancher le câble sur la bougie. • L'interrupteur MARCHE/ARRÊT doit être en position MARCHE et le volet de départ du moteur engagé pour un démarrage à froid (si le moteur est équipé d'un volet de départ).
Le moteur a des ratés, se noie durant la marche	<ul style="list-style-type: none"> • Nettoyer ou changer l'épurateur d'air.
Le moteur est difficile à démarrer	<ul style="list-style-type: none"> • Vidanger le carburant usagé et le remplacer par du frais. Utiliser du stabilisateur de carburant à la fin de la saison. • Vérifier que le câble de bougie est fermement engagé sur la bougie. • Le levier de commande d'entraînement doit être relâché et en position neutre pour démarrer le moteur.
Le moteur a des ratés ou manque de puissance	<ul style="list-style-type: none"> • Relever la barre de trainée du régulateur de profondeur pour relever les fraises et labourer moins en profondeur. • Nettoyer ou changer l'épurateur d'air. • Carburateur mal réglé, amener à un centre de réparation de moteurs agréé. • Changer la bougie et ajuster l'écartement. • Vidanger le réservoir d'essence et refaire le plein avec de l'essence fraîche.
Le motoculteur se déplace vers l'avant durant le démarrage.	<ul style="list-style-type: none"> • Le levier de commande d'entraînement doit être relâché et en position neutre pour démarrer le moteur. • Vérifier la tension de la courroie.
Le motoculteur est difficile à contrôler durant le labourage (la machine rebondit ou saute vers l'avant)	<ul style="list-style-type: none"> • Abaisser la barre de trainée du régulateur de profondeur pour augmenter la résistance et mieux contrôler la machine.
Les courroies sifflent durant la marche avant	<ul style="list-style-type: none"> • Vérifier la tension de la courroie et l'ajuster s'il y a lieu.
Un ronflement constant est audible lorsque le levier d'embrayage est enfoncé	<ul style="list-style-type: none"> • Serrer complètement le levier d'embrayage. • Espacer correctement le guide-courroie par rapport à la poulie folle afin qu'il ne touche pas la courroie. • Vérifier la tension de la courroie et l'ajuster s'il y a lieu. <p>REMARQUE : Si le levier d'embrayage est complètement serré, que le guide-courroie est bien réglé et que le câble a atteint sa limite d'ajustement mais que le ronflement persiste, cela indique que la courroie est étirée et peut devoir être changée. *</p>
Échauffement excessif au niveau du réducteur et des fraises durant le labourage	<ul style="list-style-type: none"> • Enlever la végétation accumulée. • Contrôler le liquide de boîte et compléter le niveau le cas échéant.

* Appeler le 800-345-6007 pour commander des pièces de rechange



GROUNDBREAKING POWER EQUIPMENT

1730 Industrial Avenue
PO Box 666
Cumberland, WI 54829

Phone, Téléphone : (800) 345-6007
Fax, Télécopieur : (715) 822-2124
www.getearthquake.com